

# STORES STOCK ITEM SPECIFICATION & TECHNICAL DATA SHEET



**BERGRIVIER  
MUNICIPALITY**



ITEM NUMBER

WTR-0001001

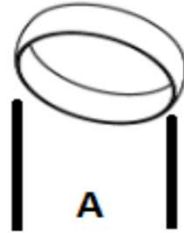
SHORT  
DESCRIPTION

COMP RING/FERRULES - 15MM

LONG DETAILED  
DESCRIPTION

COMPRESSION RING/FERRULE/OLIVE BRASS 15MM INTERNAL DIAMETER

## TECHNICAL DRAWINGS



## TECHNICAL SPECIFICATIONS

SIZE A (MM)	15
SIZE B (MM)	N/A
SIZE C (MM)	N/A
SIZE D	N/A
BRAND	COBRA or Similar
MANUFACTURER WARRANTY	N/A
MAXIMUM PRESSURE	16 BAR
MINIMUM PRESSURE	0.5 BAR
MAXIMUM TEMPERATURE (°C)	85°C
MINIMUM TEMPERATURE (°C)	-10°C
THREAD PITCH (MM)	N/A
THREAD REACH (MM)	N/A
OPERATING TEMPERATURE (°C)	-10>85

EXTERNAL MATERIAL	BRASS
INTERNAL MATERIAL	BRASS
STORAGE REQUIREMENTS	CLEAN & DRY
MSDS REQUIRED	N/A
BOX QUANTITY	EACHES

## SPECIAL INSTRUCTIONS

APPROVALS

SUPERVISOR: STORES

HEAD: ASSETS & SUPPLY CHAIN

HEAD: DEPARTMENT

APPROVALS

# STORES STOCK ITEM SPECIFICATION & TECHNICAL DATA SHEET



**BERGRIVIER  
MUNICIPALITY**



ITEM NUMBER

WTR-0001002

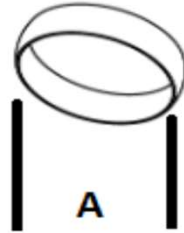
SHORT  
DESCRIPTION

COMP RING/FERRULES - 22MM

LONG DETAILED  
DESCRIPTION

COMPRESSION RING/FERRULE/OLIVE BRASS 22MM INTERNAL DIAMETER

## TECHNICAL DRAWINGS



## TECHNICAL SPECIFICATIONS

SIZE A (MM)	22
SIZE B (MM)	N/A
SIZE C (MM)	N/A
SIZE D	N/A
BRAND	COBRA or Similar
MANUFACTURER WARRANTY	N/A
MAXIMUM PRESSURE	16 BAR
MINIMUM PRESSURE	0.5 BAR
MAXIMUM TEMPERATURE (°C)	85°C
MINIMUM TEMPERATURE (°C)	-10°C
THREAD PITCH (MM)	N/A
THREAD REACH (MM)	N/A
OPERATING TEMPERATURE (°C)	-10>85

EXTERNAL MATERIAL	BRASS
INTERNAL MATERIAL	BRASS
STORAGE REQUIREMENTS	CLEAN & DRY
MSDS REQUIRED	N/A
BOX QUANTITY	EACHES

## SPECIAL INSTRUCTIONS

APPROVALS

SUPERVISOR: STORES

HEAD: ASSETS & SUPPLY CHAIN

HEAD: DEPARTMENT

APPROVALS

# STORES STOCK ITEM SPECIFICATION & TECHNICAL DATA SHEET



**BERGRIVIER  
MUNICIPALITY**



ITEM NUMBER

WTR-0001003

SHORT  
DESCRIPTION

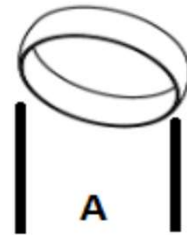
COMP RING/FERRULES - 28MM

LONG DETAILED  
DESCRIPTION

COMPRESSION RING/FERRULE/OLIVE BRASS 28MM INTERNAL DIAMETER

## TECHNICAL DRAWINGS

## TECHNICAL SPECIFICATIONS



SIZE A (MM)	28
SIZE B (MM)	N/A
SIZE C (MM)	N/A
SIZE D	N/A
BRAND	COBRA or Similar
MANUFACTURER WARRANTY	N/A
MAXIMUM PRESSURE	16 BAR
MINIMUM PRESSURE	0.5 BAR
MAXIMUM TEMPERATURE (°C)	85°C
MINIMUM TEMPERATURE (°C)	-10°C
THREAD PITCH (MM)	N/A
THREAD REACH (MM)	N/A
OPERATING TEMPERATURE (°C)	-10>85

EXTERNAL MATERIAL	BRASS
INTERNAL MATERIAL	BRASS
STORAGE REQUIREMENTS	CLEAN & DRY
MSDS REQUIRED	N/A
BOX QUANTITY	EACHES

## SPECIAL INSTRUCTIONS

APPROVALS

SUPERVISOR: STORES

HEAD: ASSETS & SUPPLY CHAIN

HEAD: DEPARTMENT

APPROVALS

# STORES STOCK ITEM SPECIFICATION & TECHNICAL DATA SHEET



**BERGRIVIER  
MUNICIPALITY**



ITEM NUMBER

WTR-0001004

SHORT  
DESCRIPTION

COMP CPR STR C X C - 15MM

LONG DETAILED  
DESCRIPTION

COMPRESSION COUPLER STRAIGHT COPPER TO COPPER 15MM

## TECHNICAL DRAWINGS



## TECHNICAL SPECIFICATIONS

SIZE A (MM)	15
SIZE B (MM)	15
SIZE C (MM)	N/A
SIZE D	N/A
BRAND	COBRA or Similar
MANUFACTURER WARRANTY	N/A
MAXIMUM PRESSURE	16 BAR
MINIMUM PRESSURE	0.5 BAR
MAXIMUM TEMPERATURE (°C)	85°C
MINIMUM TEMPERATURE (°C)	-10°C
THREAD PITCH (MM)	N/A
THREAD REACH (MM)	N/A
OPERATING TEMPERATURE (°C)	-10>85

EXTERNAL MATERIAL	BRASS
INTERNAL MATERIAL	BRASS
STORAGE REQUIREMENTS	CLEAN & DRY
MSDS REQUIRED	N/A
BOX QUANTITY	EACHES

## SPECIAL INSTRUCTIONS

APPROVALS

SUPERVISOR: STORES

HEAD: ASSETS & SUPPLY CHAIN

HEAD: DEPARTMENT

APPROVALS

# STORES STOCK ITEM SPECIFICATION & TECHNICAL DATA SHEET



**BERGRIVIER  
MUNICIPALITY**



ITEM NUMBER

WTR-0001005

SHORT  
DESCRIPTION

COMP CPR STR C X C - 22MM

LONG DETAILED  
DESCRIPTION

COMPRESSION COUPLER STRAIGHT COPPER TO COPPER 22MM

## TECHNICAL DRAWINGS



## TECHNICAL SPECIFICATIONS

SIZE A (MM)	22
SIZE B (MM)	22
SIZE C (MM)	N/A
SIZE D	N/A
BRAND	COBRA or Similar
MANUFACTURER WARRANTY	N/A
MAXIMUM PRESSURE	16 BAR
MINIMUM PRESSURE	0.5 BAR
MAXIMUM TEMPERATURE (°C)	85°C
MINIMUM TEMPERATURE (°C)	-10°C
THREAD PITCH (MM)	N/A
THREAD REACH (MM)	N/A
OPERATING TEMPERATURE (°C)	-10>85

EXTERNAL MATERIAL	BRASS
INTERNAL MATERIAL	BRASS
STORAGE REQUIREMENTS	CLEAN & DRY
MSDS REQUIRED	N/A
BOX QUANTITY	EACHES

## SPECIAL INSTRUCTIONS

APPROVALS

SUPERVISOR: STORES

HEAD: ASSETS & SUPPLY CHAIN

HEAD: DEPARTMENT

APPROVALS

# STORES STOCK ITEM SPECIFICATION & TECHNICAL DATA SHEET



**BERGRIVIER  
MUNICIPALITY**



ITEM NUMBER

WTR-0001006

SHORT  
DESCRIPTION

COMP CPR STR C X C - 28MM

LONG DETAILED  
DESCRIPTION

COMPRESSION COUPLER STRAIGHT COPPER TO COPPER 28MM

## TECHNICAL DRAWINGS



## TECHNICAL SPECIFICATIONS

SIZE A (MM)	28
SIZE B (MM)	28
SIZE C (MM)	N/A
SIZE D	N/A
BRAND	COBRA or Similar
MANUFACTURER WARRANTY	N/A
MAXIMUM PRESSURE	16 BAR
MINIMUM PRESSURE	0.5 BAR
MAXIMUM TEMPERATURE (°C)	85°C
MINIMUM TEMPERATURE (°C)	-10°C
THREAD PITCH (MM)	N/A
THREAD REACH (MM)	N/A
OPERATING TEMPERATURE (°C)	-10>85

EXTERNAL MATERIAL	BRASS
INTERNAL MATERIAL	BRASS
STORAGE REQUIREMENTS	CLEAN & DRY
MSDS REQUIRED	N/A
BOX QUANTITY	EACHES

## SPECIAL INSTRUCTIONS

APPROVALS

SUPERVISOR: STORES

HEAD: ASSETS & SUPPLY CHAIN

HEAD: DEPARTMENT

APPROVALS

# STORES STOCK ITEM SPECIFICATION & TECHNICAL DATA SHEET



**BERGRIVIER  
MUNICIPALITY**



ITEM NUMBER

WTR-0001007

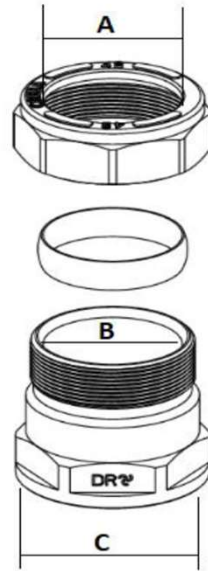
SHORT  
DESCRIPTION

COMP ADT STR C X FI - 15MM

LONG DETAILED  
DESCRIPTION

COMPRESSION COUPLER STRAIGHT COPPER X FEMALE IRON 15MM

## TECHNICAL DRAWINGS



## TECHNICAL SPECIFICATIONS

SIZE A (MM)	15
SIZE B (MM)	15
SIZE C (MM)	N/A
SIZE D	N/A
BRAND	COBRA or Similar
MANUFACTURER WARRANTY	N/A
MAXIMUM PRESSURE	16 BAR
MINIMUM PRESSURE	0.5 BAR
MAXIMUM TEMPERATURE (°C)	85°C
MINIMUM TEMPERATURE (°C)	-10°C
THREAD PITCH (MM)	N/A
THREAD REACH (MM)	N/A
OPERATING TEMPERATURE (°C)	-10>85

EXTERNAL MATERIAL	BRASS
INTERNAL MATERIAL	BRASS
STORAGE REQUIREMENTS	CLEAN & DRY
MSDS REQUIRED	N/A
BOX QUANTITY	EACHES

## SPECIAL INSTRUCTIONS

APPROVALS

SUPERVISOR: STORES

HEAD: ASSETS & SUPPLY CHAIN

HEAD: DEPARTMENT

APPROVALS

# STORES STOCK ITEM SPECIFICATION & TECHNICAL DATA SHEET



**BERGRIVIER  
MUNICIPALITY**



ITEM NUMBER

WTR-0001008

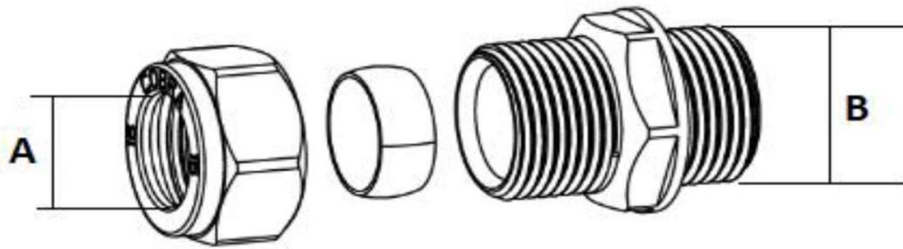
SHORT  
DESCRIPTION

COMP ADT STR C X MI - 15MM

LONG DETAILED  
DESCRIPTION

COMPRESSION COUPLER STRAIGHT COPPER X MALE IRON 15MM

## TECHNICAL DRAWINGS



## TECHNICAL SPECIFICATIONS

SIZE A (MM)	15
SIZE B (MM)	15
SIZE C (MM)	N/A
SIZE D	N/A
BRAND	COBRA or Similar
MANUFACTURER WARRANTY	N/A
MAXIMUM PRESSURE	16 BAR
MINIMUM PRESSURE	0.5 BAR
MAXIMUM TEMPERATURE (°C)	85°C
MINIMUM TEMPERATURE (°C)	-10°C
THREAD PITCH (MM)	N/A
THREAD REACH (MM)	N/A
OPERATING TEMPERATURE (°C)	-10>85

EXTERNAL MATERIAL	BRASS
INTERNAL MATERIAL	BRASS
STORAGE REQUIREMENTS	CLEAN & DRY
MSDS REQUIRED	N/A
BOX QUANTITY	EACHES

## SPECIAL INSTRUCTIONS

APPROVALS

SUPERVISOR: STORES

HEAD: ASSETS & SUPPLY CHAIN

HEAD: DEPARTMENT

APPROVALS



# STORES STOCK ITEM SPECIFICATION & TECHNICAL DATA SHEET



**BERGRIVIER  
MUNICIPALITY**



ITEM NUMBER

WTR-0001009

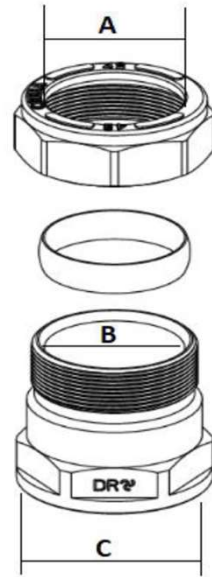
SHORT  
DESCRIPTION

COMP ADT STR C X FI - 22MM

LONG DETAILED  
DESCRIPTION

COMPRESSION COUPLER STRAIGHT COPPER X FEMALE IRON 22MM

## TECHNICAL DRAWINGS



## TECHNICAL SPECIFICATIONS

SIZE A (MM)	22
SIZE B (MM)	22
SIZE C (MM)	N/A
SIZE D	N/A
BRAND	COBRA or Similar
MANUFACTURER WARRANTY	N/A
MAXIMUM PRESSURE	16 BAR
MINIMUM PRESSURE	0.5 BAR
MAXIMUM TEMPERATURE (°C)	85°C
MINIMUM TEMPERATURE (°C)	-10°C
THREAD PITCH (MM)	N/A
THREAD REACH (MM)	N/A
OPERATING TEMPERATURE (°C)	-10>85

EXTERNAL MATERIAL	BRASS
INTERNAL MATERIAL	BRASS
STORAGE REQUIREMENTS	CLEAN & DRY
MSDS REQUIRED	N/A
BOX QUANTITY	EACHES

## SPECIAL INSTRUCTIONS

APPROVALS

SUPERVISOR: STORES

HEAD: ASSETS & SUPPLY CHAIN

HEAD: DEPARTMENT

APPROVALS

# STORES STOCK ITEM SPECIFICATION & TECHNICAL DATA SHEET



**BERGRIVIER  
MUNICIPALITY**



ITEM NUMBER

WTR-0001010

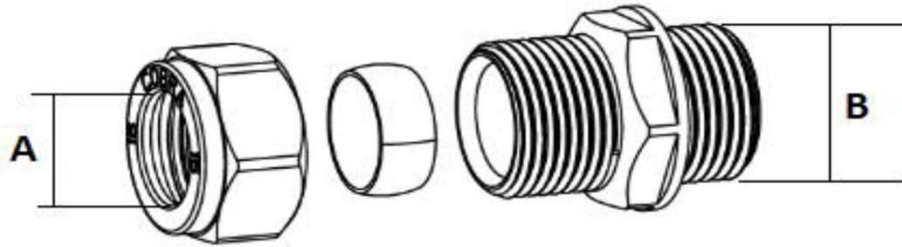
SHORT  
DESCRIPTION

COMP ADT STR C X MI - 22MM

LONG DETAILED  
DESCRIPTION

COMPRESSION COUPLER STRAIGHT COPPER X MALE IRON 22MM

## TECHNICAL DRAWINGS



## TECHNICAL SPECIFICATIONS

SIZE A (MM)	22
SIZE B (MM)	22
SIZE C (MM)	N/A
SIZE D	N/A
BRAND	COBRA or Similar
MANUFACTURER WARRANTY	N/A
MAXIMUM PRESSURE	16 BAR
MINIMUM PRESSURE	0.5 BAR
MAXIMUM TEMPERATURE (°C)	85°C
MINIMUM TEMPERATURE (°C)	-10°C
THREAD PITCH (MM)	N/A
THREAD REACH (MM)	N/A
OPERATING TEMPERATURE (°C)	-10>85

EXTERNAL MATERIAL	BRASS
INTERNAL MATERIAL	BRASS
STORAGE REQUIREMENTS	CLEAN & DRY
MSDS REQUIRED	N/A
BOX QUANTITY	EACHES

## SPECIAL INSTRUCTIONS

APPROVALS

SUPERVISOR: STORES

HEAD: ASSETS & SUPPLY CHAIN

HEAD: DEPARTMENT

APPROVALS

# STORES STOCK ITEM SPECIFICATION & TECHNICAL DATA SHEET



**BERGRIVIER  
MUNICIPALITY**



ITEM NUMBER

WTR-0001011

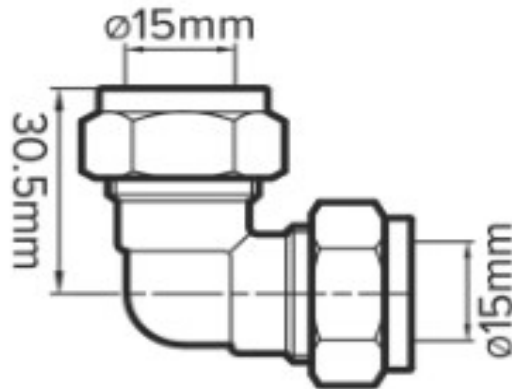
SHORT  
DESCRIPTION

COMP CPR ELBOW C X C - 15MM

LONG DETAILED  
DESCRIPTION

COMPRESSION COUPLER ELBOW COPPER TO COPPER - 15MM

## TECHNICAL DRAWINGS



## TECHNICAL SPECIFICATIONS

SIZE A (MM)	15MM
SIZE B (MM)	15MM
SIZE C (MM)	30.5MM
SIZE D	N/A
BRAND	COBRA or Similar
MANUFACTURER WARRANTY	N/A
MAXIMUM PRESSURE	16 BAR
MINIMUM PRESSURE	0.5 BAR
MAXIMUM TEMPERATURE (°C)	85°C
MINIMUM TEMPERATURE (°C)	-10°C
THREAD PITCH (MM)	N/A
THREAD REACH (MM)	N/A
OPERATING TEMPERATURE (°C)	-10>85

EXTERNAL MATERIAL	BRASS
INTERNAL MATERIAL	BRASS
STORAGE REQUIREMENTS	CLEAN & DRY
MSDS REQUIRED	N/A
BOX QUANTITY	EACHES

## SPECIAL INSTRUCTIONS

APPROVALS

SUPERVISOR: STORES

HEAD: ASSETS & SUPPLY CHAIN

HEAD: DEPARTMENT

APPROVALS

# STORES STOCK ITEM SPECIFICATION & TECHNICAL DATA SHEET

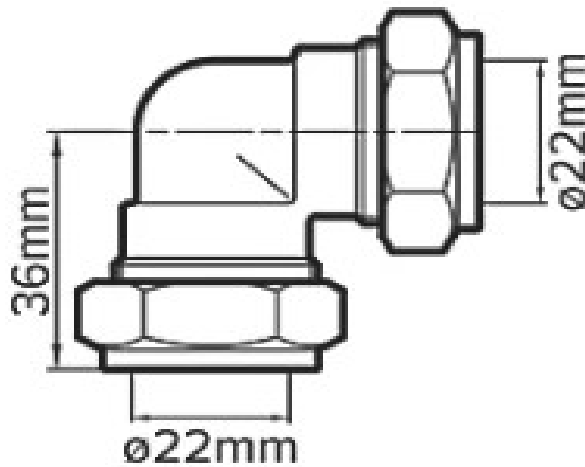


**BERGRIVIER  
MUNICIPALITY**



ITEM NUMBER	WTR-0001012
SHORT DESCRIPTION	COMP CPR ELBOW C X C - 22MM
LONG DETAILED DESCRIPTION	COMPRESSION COUPLER ELBOW COPPER TO COPPER - 22MM

## TECHNICAL DRAWINGS



## TECHNICAL SPECIFICATIONS

SIZE A (MM)	22MM
SIZE B (MM)	22MM
SIZE C (MM)	36MM
SIZE D	N/A
BRAND	COBRA or Similar
MANUFACTURER WARRANTY	N/A
MAXIMUM PRESSURE	16 BAR
MINIMUM PRESSURE	0.5 BAR
MAXIMUM TEMPERATURE (°C)	85°C
MINIMUM TEMPERATURE (°C)	-10°C
THREAD PITCH (MM)	N/A
THREAD REACH (MM)	N/A
OPERATING TEMPERATURE (°C)	-10>85

EXTERNAL MATERIAL	BRASS
INTERNAL MATERIAL	BRASS
STORAGE REQUIREMENTS	CLEAN & DRY
MSDS REQUIRED	N/A
BOX QUANTITY	EACHES

## SPECIAL INSTRUCTIONS

APPROVALS

SUPERVISOR: STORES

HEAD: ASSETS & SUPPLY CHAIN

HEAD: DEPARTMENT

APPROVALS

# STORES STOCK ITEM SPECIFICATION & TECHNICAL DATA SHEET

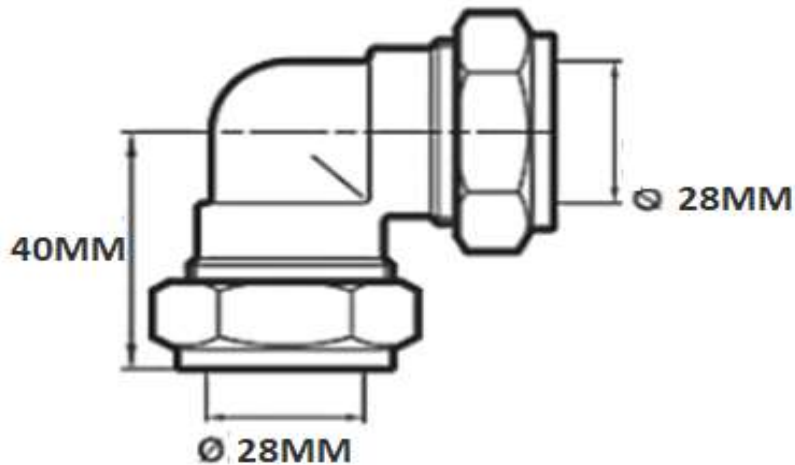


**BERGRIVIER  
MUNICIPALITY**



ITEM NUMBER	WTR-0001013
SHORT DESCRIPTION	COMP CPR ELBOW C X C - 28MM
LONG DETAILED DESCRIPTION	COMPRESSION COUPLER ELBOW COPPER TO COPPER - 28MM

## TECHNICAL DRAWINGS



## TECHNICAL SPECIFICATIONS

SIZE A (MM)	28MM
SIZE B (MM)	28MM
SIZE C (MM)	40MM
SIZE D	N/A
BRAND	N/A
MANUFACTURER WARRANTY	COBRA or Similar
MAXIMUM PRESSURE	16 BAR
MINIMUM PRESSURE	0.5 BAR
MAXIMUM TEMPERATURE (°C)	85°C
MINIMUM TEMPERATURE (°C)	-10°C
THREAD PITCH (MM)	N/A
THREAD REACH (MM)	N/A
OPERATING TEMPERATURE (°C)	-10>85

EXTERNAL MATERIAL	BRASS
INTERNAL MATERIAL	BRASS
STORAGE REQUIREMENTS	CLEAN & DRY
MSDS REQUIRED	N/A
BOX QUANTITY	EACHES

## SPECIAL INSTRUCTIONS

APPROVALS				APPROVALS
	SUPERVISOR: STORES	HEAD: ASSETS & SUPPLY CHAIN	HEAD: DEPARTMENT	

# STORES STOCK ITEM SPECIFICATION & TECHNICAL DATA SHEET



**BERGRIVIER  
MUNICIPALITY**



ITEM NUMBER

WTR-0001014

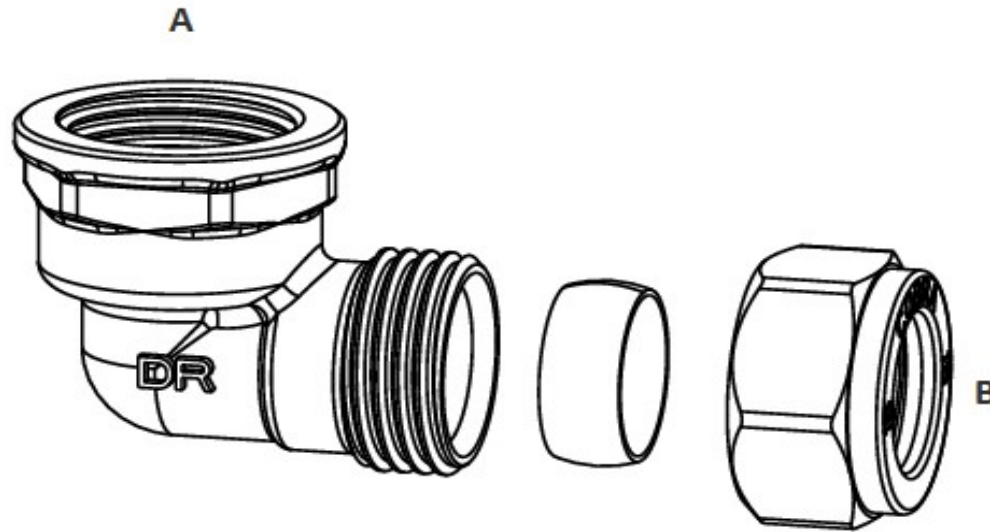
SHORT  
DESCRIPTION

COMP ADT ELBOW C X FI - 15MM

LONG DETAILED  
DESCRIPTION

COMPRESSION ADAPTOR ELBOW COPPER TO FEMALE IRON - 15MM

## TECHNICAL DRAWINGS



## TECHNICAL SPECIFICATIONS

SIZE A (MM)	15MM
SIZE B (MM)	1/2"
SIZE C (MM)	N/A
SIZE D	N/A
BRAND	COBRA or Similar
MANUFACTURER WARRANTY	N/A
MAXIMUM PRESSURE	16 BAR
MINIMUM PRESSURE	0.5 BAR
MAXIMUM TEMPERATURE (°C)	85°C
MINIMUM TEMPERATURE (°C)	-10°C
THREAD PITCH (MM)	N/A
THREAD REACH (MM)	N/A
OPERATING TEMPERATURE (°C)	-10>85

EXTERNAL MATERIAL	BRASS
INTERNAL MATERIAL	BRASS
STORAGE REQUIREMENTS	CLEAN & DRY
MSDS REQUIRED	N/A
BOX QUANTITY	EACHES

## SPECIAL INSTRUCTIONS

APPROVALS

SUPERVISOR: STORES

HEAD: ASSETS & SUPPLY CHAIN

HEAD: DEPARTMENT

APPROVALS

# STORES STOCK ITEM SPECIFICATION & TECHNICAL DATA SHEET

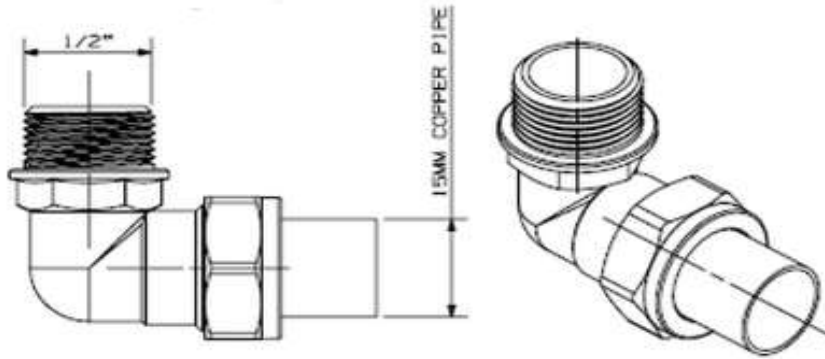


**BERGRIVIER  
MUNICIPALITY**



ITEM NUMBER	WTR-0001015
SHORT DESCRIPTION	COMP ADT ELBOW C X MI - 15MM
LONG DETAILED DESCRIPTION	COMPRESSION ADAPTOR ELBOW COPPER TO MALE IRON - 15MM

## TECHNICAL DRAWINGS



## TECHNICAL SPECIFICATIONS

SIZE A (MM)	1/2"
SIZE B (MM)	15MM
SIZE C (MM)	N/A
SIZE D	N/A
BRAND	COBRA or Similar
MANUFACTURER WARRANTY	N/A
MAXIMUM PRESSURE	16 BAR
MINIMUM PRESSURE	0.5 BAR
MAXIMUM TEMPERATURE (°C)	85°C
MINIMUM TEMPERATURE (°C)	-10°C
THREAD PITCH (MM)	N/A
THREAD REACH (MM)	N/A
OPERATING TEMPERATURE (°C)	-10>85

EXTERNAL MATERIAL	BRASS
INTERNAL MATERIAL	BRASS
STORAGE REQUIREMENTS	CLEAN & DRY
MSDS REQUIRED	N/A
BOX QUANTITY	EACHES

## SPECIAL INSTRUCTIONS

APPROVALS

SUPERVISOR: STORES

HEAD: ASSETS & SUPPLY CHAIN

HEAD: DEPARTMENT

APPROVALS



# STORES STOCK ITEM SPECIFICATION & TECHNICAL DATA SHEET

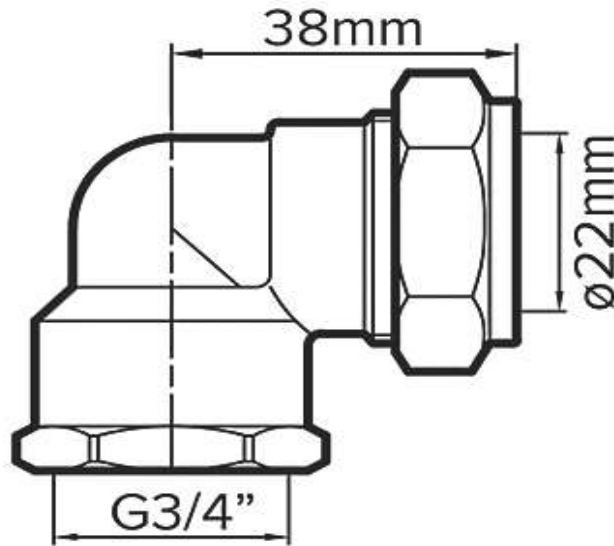


**BERGRIVIER  
MUNICIPALITY**



ITEM NUMBER	WTR-0001016
SHORT DESCRIPTION	COMP ADT ELBOW C X FI - 22MM
LONG DETAILED DESCRIPTION	COMPRESSION ADAPTOR ELBOW COPPER TO FEMALE IRON - 22MM

## TECHNICAL DRAWINGS



## TECHNICAL SPECIFICATIONS

SIZE A (MM)	22MM
SIZE B (MM)	3/4"
SIZE C (MM)	38MM
SIZE D	N/A
BRAND	COBRA or Similar
MANUFACTURER WARRANTY	N/A
MAXIMUM PRESSURE	16 BAR
MINIMUM PRESSURE	0.5 BAR
MAXIMUM TEMPERATURE (°C)	85°C
MINIMUM TEMPERATURE (°C)	-10°C
THREAD PITCH (MM)	N/A
THREAD REACH (MM)	N/A
OPERATING TEMPERATURE (°C)	-10>85

EXTERNAL MATERIAL	BRASS
INTERNAL MATERIAL	BRASS
STORAGE REQUIREMENTS	CLEAN & DRY
MSDS REQUIRED	N/A
BOX QUANTITY	EACHES

## SPECIAL INSTRUCTIONS

APPROVALS

SUPERVISOR: STORES

HEAD: ASSETS & SUPPLY CHAIN

HEAD: DEPARTMENT

APPROVALS



# STORES STOCK ITEM SPECIFICATION & TECHNICAL DATA SHEET



**BERGRIVIER  
MUNICIPALITY**



ITEM NUMBER

WTR-0001017

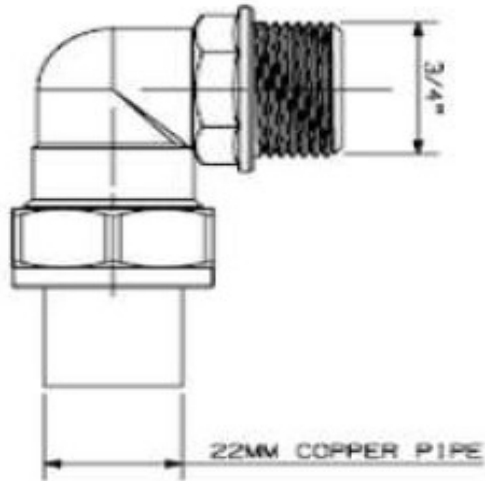
SHORT  
DESCRIPTION

COMP ADT ELBOW C X MI - 22 MM

LONG DETAILED  
DESCRIPTION

COMPRESSION ADAPTOR ELBOW COPPER TO MALE IRON - 22MM

## TECHNICAL DRAWINGS



## TECHNICAL SPECIFICATIONS

SIZE A (MM)	22MM
SIZE B (MM)	3/4"
SIZE C (MM)	N/A
SIZE D	N/A
BRAND	COBRA or Similar
MANUFACTURER WARRANTY	N/A
MAXIMUM PRESSURE	16 BAR
MINIMUM PRESSURE	0.5 BAR
MAXIMUM TEMPERATURE (°C)	85°C
MINIMUM TEMPERATURE (°C)	-10°C
THREAD PITCH (MM)	N/A
THREAD REACH (MM)	N/A
OPERATING TEMPERATURE (°C)	-10>85

EXTERNAL MATERIAL	BRASS
INTERNAL MATERIAL	BRASS
STORAGE REQUIREMENTS	CLEAN & DRY
MSDS REQUIRED	N/A
BOX QUANTITY	EACHES

## SPECIAL INSTRUCTIONS

APPROVALS

SUPERVISOR: STORES

HEAD: ASSETS & SUPPLY CHAIN

HEAD: DEPARTMENT

APPROVALS

# STORES STOCK ITEM SPECIFICATION & TECHNICAL DATA SHEET



**BERGRIVIER  
MUNICIPALITY**



ITEM NUMBER

WTR-0001018

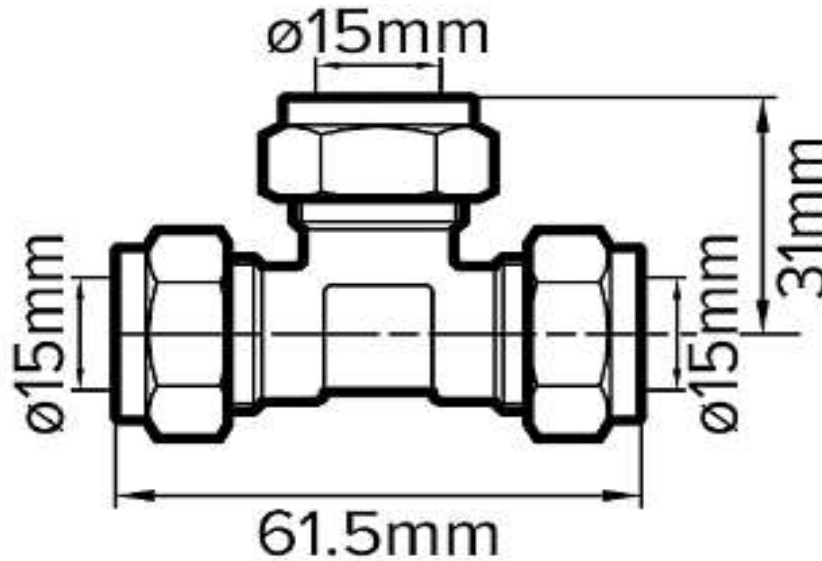
SHORT  
DESCRIPTION

COMP T-PIECE C X C X C - 15MM

LONG DETAILED  
DESCRIPTION

COMPRESSION T-PIECE COPPER TO COPPER TO COPPER - 15MM

## TECHNICAL DRAWINGS



## TECHNICAL SPECIFICATIONS

SIZE A (MM)	15
SIZE B (MM)	15
SIZE C (MM)	15
SIZE D	N/A
BRAND	COBRA or Similar
MANUFACTURER WARRANTY	N/A
MAXIMUM PRESSURE	16 BAR
MINIMUM PRESSURE	0.5 BAR
MAXIMUM TEMPERATURE (°C)	85°C
MINIMUM TEMPERATURE (°C)	-10°C
THREAD PITCH (MM)	N/A
THREAD REACH (MM)	N/A
OPERATING TEMPERATURE (°C)	-10>85

EXTERNAL MATERIAL	BRASS
INTERNAL MATERIAL	BRASS
STORAGE REQUIREMENTS	CLEAN & DRY
MSDS REQUIRED	N/A
BOX QUANTITY	EACHES

## SPECIAL INSTRUCTIONS

APPROVALS

SUPERVISOR: STORES

HEAD: ASSETS & SUPPLY CHAIN

HEAD: DEPARTMENT

APPROVALS

# STORES STOCK ITEM SPECIFICATION & TECHNICAL DATA SHEET

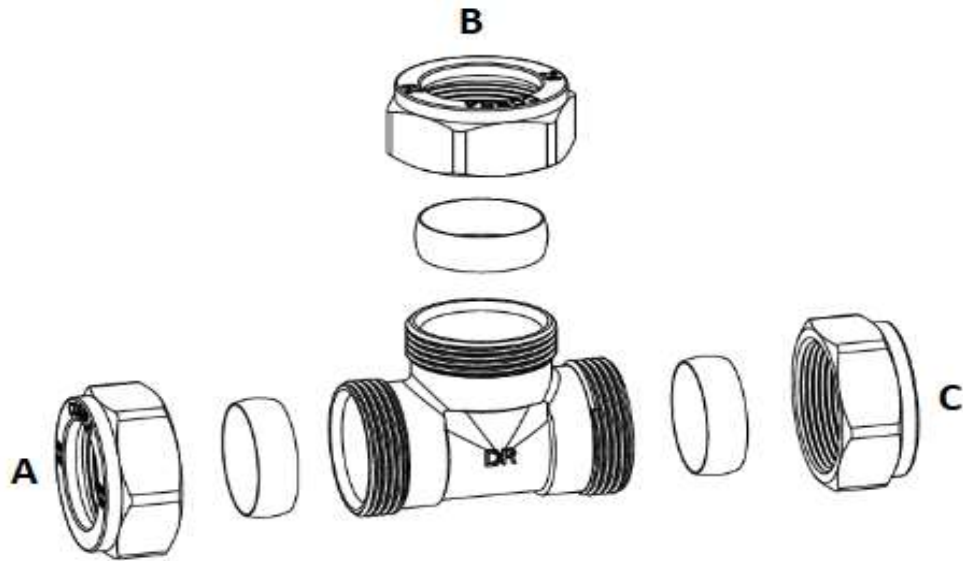


**BERGRIVIER  
MUNICIPALITY**



ITEM NUMBER	WTR-0001019
SHORT DESCRIPTION	COMP T-PIECE C X C X C - 22MM
LONG DETAILED DESCRIPTION	COMPRESSION T-PIECE COPPER TO COPPER TO COPPER - 22MM

## TECHNICAL DRAWINGS



## TECHNICAL SPECIFICATIONS

SIZE A (MM)	22
SIZE B (MM)	22
SIZE C (MM)	22
SIZE D	N/A
BRAND	COBRA or Similar
MANUFACTURER WARRANTY	N/A
MAXIMUM PRESSURE	16 BAR
MINIMUM PRESSURE	0.5 BAR
MAXIMUM TEMPERATURE (°C)	85°C
MINIMUM TEMPERATURE (°C)	-10°C
THREAD PITCH (MM)	N/A
THREAD REACH (MM)	N/A
OPERATING TEMPERATURE (°C)	-10>85

EXTERNAL MATERIAL	BRASS
INTERNAL MATERIAL	BRASS
STORAGE REQUIREMENTS	CLEAN & DRY
MSDS REQUIRED	N/A
BOX QUANTITY	EACHES

## SPECIAL INSTRUCTIONS

APPROVALS				APPROVALS
	SUPERVISOR: STORES	HEAD: ASSETS & SUPPLY CHAIN	HEAD: DEPARTMENT	

# STORES STOCK ITEM SPECIFICATION & TECHNICAL DATA SHEET



**BERGRIVIER  
MUNICIPALITY**



ITEM NUMBER

WTR-0001020

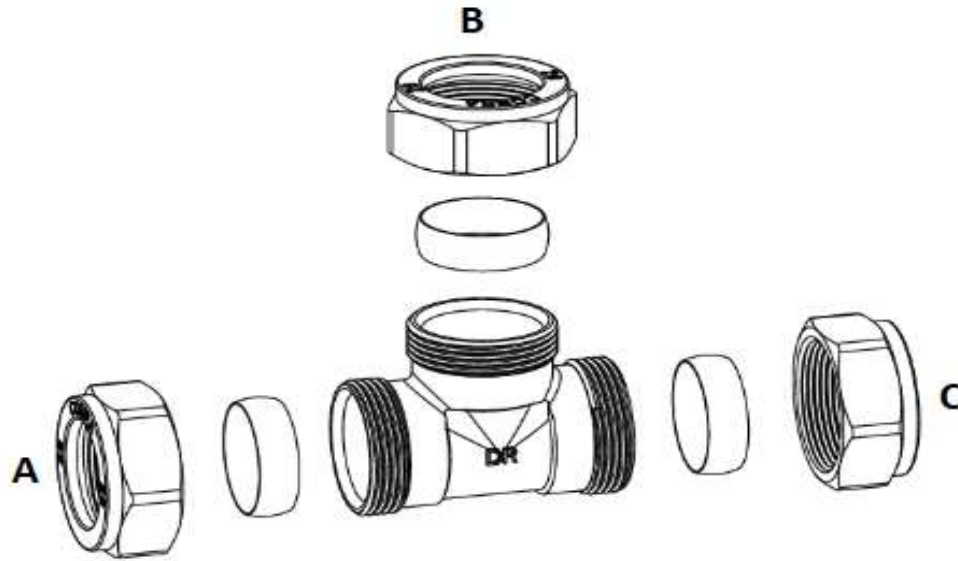
SHORT  
DESCRIPTION

COMP T-PIECE C X C X C - 28MM

LONG DETAILED  
DESCRIPTION

COMPRESSION T-PIECE COPPER TO COPPER TO COPPER - 28MM

## TECHNICAL DRAWINGS



## TECHNICAL SPECIFICATIONS

SIZE A (MM)	28
SIZE B (MM)	28
SIZE C (MM)	28
SIZE D	N/A
BRAND	COBRA or Similar
MANUFACTURER WARRANTY	N/A
MAXIMUM PRESSURE	16 BAR
MINIMUM PRESSURE	0.5 BAR
MAXIMUM TEMPERATURE (°C)	85°C
MINIMUM TEMPERATURE (°C)	-10°C
THREAD PITCH (MM)	N/A
THREAD REACH (MM)	N/A
OPERATING TEMPERATURE (°C)	-10>85

EXTERNAL MATERIAL	BRASS
INTERNAL MATERIAL	BRASS
STORAGE REQUIREMENTS	CLEAN & DRY
MSDS REQUIRED	N/A
BOX QUANTITY	EACHES

## SPECIAL INSTRUCTIONS

APPROVALS

SUPERVISOR: STORES

HEAD: ASSETS & SUPPLY CHAIN

HEAD: DEPARTMENT

APPROVALS

# STORES STOCK ITEM SPECIFICATION & TECHNICAL DATA SHEET



**BERGRIVIER  
MUNICIPALITY**



ITEM NUMBER

WTR-0001021

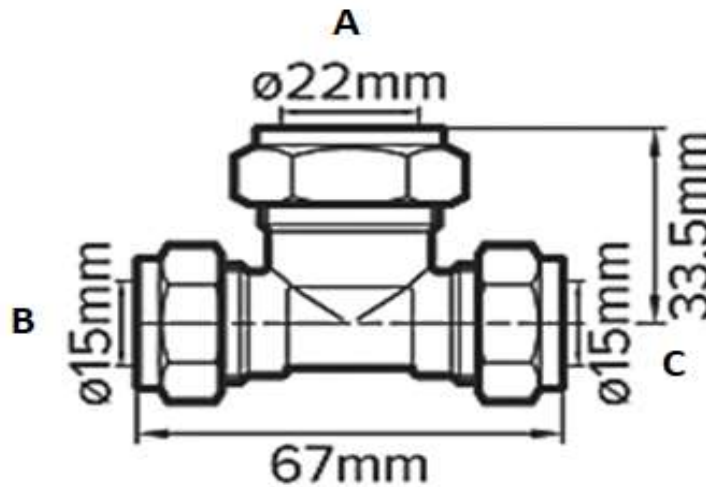
SHORT  
DESCRIPTION

COMP T-PIECE C X C X C RED - 15X15X22

LONG DETAILED  
DESCRIPTION

COMPRESSION T-PIECE COPPER TO COPPER TO COPPER RED - 15X15X22MM

## TECHNICAL DRAWINGS



## TECHNICAL SPECIFICATIONS

SIZE A (MM)	22
SIZE B (MM)	15
SIZE C (MM)	15
SIZE D	N/A
BRAND	COBRA or Similar
MANUFACTURER WARRANTY	N/A
MAXIMUM PRESSURE	16 BAR
MINIMUM PRESSURE	0.5 BAR
MAXIMUM TEMPERATURE (°C)	85°C
MINIMUM TEMPERATURE (°C)	-10°C
THREAD PITCH (MM)	N/A
THREAD REACH (MM)	N/A
OPERATING TEMPERATURE (°C)	-10>85

EXTERNAL MATERIAL	BRASS
INTERNAL MATERIAL	BRASS
STORAGE REQUIREMENTS	CLEAN & DRY
MSDS REQUIRED	N/A
BOX QUANTITY	EACHES

## SPECIAL INSTRUCTIONS

APPROVALS

SUPERVISOR: STORES

HEAD: ASSETS & SUPPLY CHAIN

HEAD: DEPARTMENT

APPROVALS

# STORES STOCK ITEM SPECIFICATION & TECHNICAL DATA SHEET



**BERGRIVIER  
MUNICIPALITY**



ITEM NUMBER

WTR-0001022

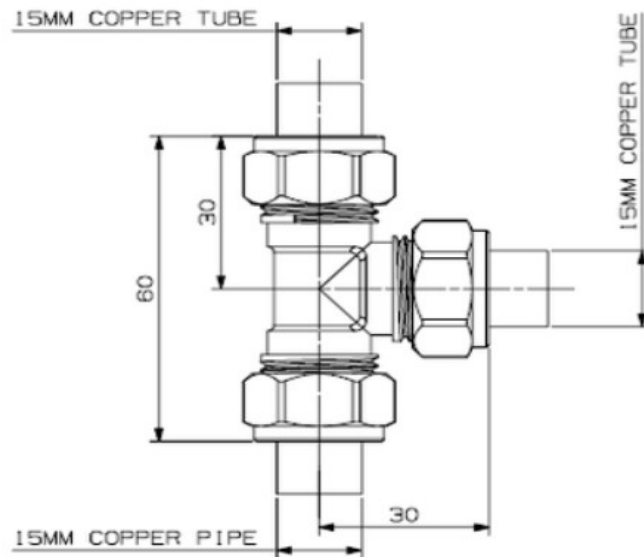
SHORT  
DESCRIPTION

COMP T-PIECE C X C X MI - 15MM

LONG DETAILED  
DESCRIPTION

COMPRESSION T-PIECE COPPER TO COPPER TO MALE IRON - 15MM

## TECHNICAL DRAWINGS



## TECHNICAL SPECIFICATIONS

SIZE A (MM)	22
SIZE B (MM)	15
SIZE C (MM)	15
SIZE D	N/A
BRAND	COBRA or Similar
MANUFACTURER WARRANTY	N/A
MAXIMUM PRESSURE	16 BAR
MINIMUM PRESSURE	0.5 BAR
MAXIMUM TEMPERATURE (°C)	85°C
MINIMUM TEMPERATURE (°C)	-10°C
THREAD PITCH (MM)	N/A
THREAD REACH (MM)	N/A
OPERATING TEMPERATURE (°C)	-10>85

EXTERNAL MATERIAL	BRASS
INTERNAL MATERIAL	BRASS
STORAGE REQUIREMENTS	CLEAN & DRY
MSDS REQUIRED	N/A
BOX QUANTITY	EACHES

## SPECIAL INSTRUCTIONS

APPROVALS

SUPERVISOR: STORES

HEAD: ASSETS & SUPPLY CHAIN

HEAD: DEPARTMENT

APPROVALS

# STORES STOCK ITEM SPECIFICATION & TECHNICAL DATA SHEET



**BERGRIVIER  
MUNICIPALITY**



ITEM NUMBER

WTR-0001023

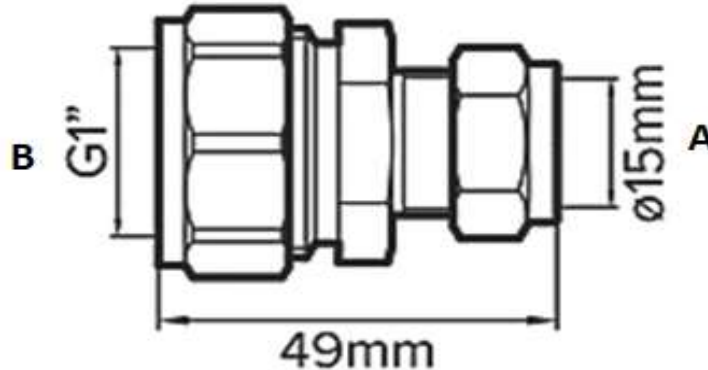
SHORT  
DESCRIPTION

COMP REDUCER C X C - 22MM X 15MM

LONG DETAILED  
DESCRIPTION

COMPRESSION REDUCER COPPER TO COPPER - 22 X 15MM

## TECHNICAL DRAWINGS



## TECHNICAL SPECIFICATIONS

SIZE A (MM)	15
SIZE B (MM)	22
SIZE C (MM)	N/A
SIZE D	N/A
BRAND	COBRA or Similar
MANUFACTURER WARRANTY	N/A
MAXIMUM PRESSURE	16 BAR
MINIMUM PRESSURE	0.5 BAR
MAXIMUM TEMPERATURE (°C)	85°C
MINIMUM TEMPERATURE (°C)	-10°C
THREAD PITCH (MM)	N/A
THREAD REACH (MM)	N/A
OPERATING TEMPERATURE (°C)	-10>85

EXTERNAL MATERIAL	BRASS
INTERNAL MATERIAL	BRASS
STORAGE REQUIREMENTS	CLEAN & DRY
MSDS REQUIRED	N/A
BOX QUANTITY	EACHES

## SPECIAL INSTRUCTIONS

APPROVALS

SUPERVISOR: STORES

HEAD: ASSETS & SUPPLY CHAIN

HEAD: DEPARTMENT

APPROVALS



# STORES STOCK ITEM SPECIFICATION & TECHNICAL DATA SHEET



**BERGRIVIER  
MUNICIPALITY**



ITEM NUMBER

WTR-0001024

SHORT  
DESCRIPTION

COMP REDUCER C X FI - 22MM X 15MM

LONG DETAILED  
DESCRIPTION

COMPRESSION REDUCER COPPER TO FEMALE IRON - 22 X 15MM

## TECHNICAL DRAWINGS



## TECHNICAL SPECIFICATIONS

SIZE A (MM)	22MM
SIZE B (MM)	15MM
SIZE C (MM)	N/A
SIZE D	N/A
BRAND	COBRA or Similar
MANUFACTURER WARRANTY	N/A
MAXIMUM PRESSURE	16 BAR
MINIMUM PRESSURE	0.5 BAR
MAXIMUM TEMPERATURE (°C)	85°C
MINIMUM TEMPERATURE (°C)	-10°C
THREAD PITCH (MM)	N/A
THREAD REACH (MM)	N/A
OPERATING TEMPERATURE (°C)	-10>85

EXTERNAL MATERIAL	BRASS
INTERNAL MATERIAL	BRASS
STORAGE REQUIREMENTS	CLEAN & DRY
MSDS REQUIRED	N/A
BOX QUANTITY	EACHES

## SPECIAL INSTRUCTIONS

APPROVALS

SUPERVISOR: STORES

HEAD: ASSETS & SUPPLY CHAIN

HEAD: DEPARTMENT

APPROVALS



# STORES STOCK ITEM SPECIFICATION & TECHNICAL DATA SHEET



**BERGRIVIER  
MUNICIPALITY**



ITEM NUMBER

WTR-0001025

SHORT  
DESCRIPTION

COMP REDUCER C X FI - 15MM X 22MM

LONG DETAILED  
DESCRIPTION

COMPRESSION REDUCER COPPER TO FEMALE IRON - 15 X 22MM

## TECHNICAL DRAWINGS



## TECHNICAL SPECIFICATIONS

SIZE A (MM)	15MM
SIZE B (MM)	22MM
SIZE C (MM)	N/A
SIZE D	N/A
BRAND	COBRA or Similar
MANUFACTURER WARRANTY	N/A
MAXIMUM PRESSURE	16 BAR
MINIMUM PRESSURE	0.5 BAR
MAXIMUM TEMPERATURE (°C)	85°C
MINIMUM TEMPERATURE (°C)	-10°C
THREAD PITCH (MM)	N/A
THREAD REACH (MM)	N/A
OPERATING TEMPERATURE (°C)	-10>85

EXTERNAL MATERIAL	BRASS
INTERNAL MATERIAL	BRASS
STORAGE REQUIREMENTS	CLEAN & DRY
MSDS REQUIRED	N/A
BOX QUANTITY	EACHES

## SPECIAL INSTRUCTIONS

APPROVALS

SUPERVISOR: STORES

HEAD: ASSETS & SUPPLY CHAIN

HEAD: DEPARTMENT

APPROVALS

# STORES STOCK ITEM SPECIFICATION & TECHNICAL DATA SHEET

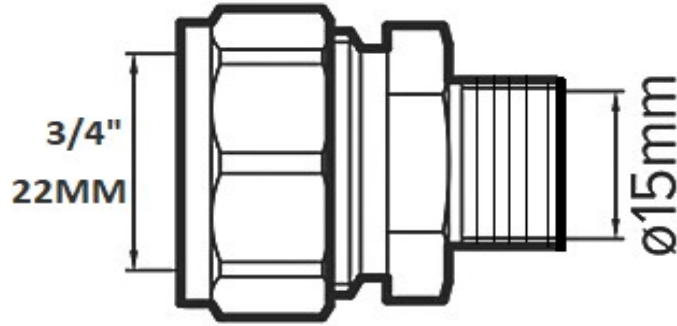


**BERGRIVIER  
MUNICIPALITY**



ITEM NUMBER	WTR-0001026
SHORT DESCRIPTION	COMP REDUCER C X MI - 22MM X 15MM
LONG DETAILED DESCRIPTION	COMPRESSION REDUCER COPPER TO MALE IRON - 22 X 15MM

## TECHNICAL DRAWINGS



## TECHNICAL SPECIFICATIONS

SIZE A (MM)	22MM
SIZE B (MM)	15MM
SIZE C (MM)	N/A
SIZE D	N/A
BRAND	COBRA or Similar
MANUFACTURER WARRANTY	N/A
MAXIMUM PRESSURE	16 BAR
MINIMUM PRESSURE	0.5 BAR
MAXIMUM TEMPERATURE (°C)	85°C
MINIMUM TEMPERATURE (°C)	-10°C
THREAD PITCH (MM)	N/A
THREAD REACH (MM)	N/A
OPERATING TEMPERATURE (°C)	-10>85

EXTERNAL MATERIAL	BRASS
INTERNAL MATERIAL	BRASS
STORAGE REQUIREMENTS	CLEAN & DRY
MSDS REQUIRED	N/A
BOX QUANTITY	EACHES

## SPECIAL INSTRUCTIONS

APPROVALS

--	--	--

SUPERVISOR: STORES      HEAD: ASSETS & SUPPLY CHAIN      HEAD: DEPARTMENT

APPROVALS

# STORES STOCK ITEM SPECIFICATION & TECHNICAL DATA SHEET



**BERGRIVIER  
MUNICIPALITY**



ITEM NUMBER

WTR-0001027

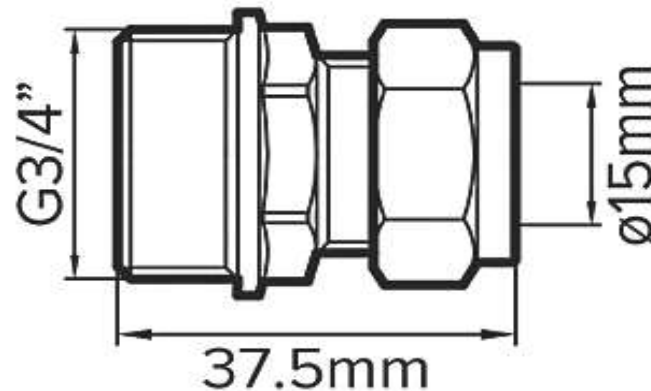
SHORT  
DESCRIPTION

COMP REDUCER C X MI - 15MM X 22MM

LONG DETAILED  
DESCRIPTION

COMPRESSION REDUCER COPPER TO MALE IRON - 15 X 22MM

## TECHNICAL DRAWINGS



## TECHNICAL SPECIFICATIONS

SIZE A (MM)	15MM
SIZE B (MM)	3/4"
SIZE C (MM)	N/A
SIZE D	N/A
BRAND	COBRA or Similar
MANUFACTURER WARRANTY	N/A
MAXIMUM PRESSURE	16 BAR
MINIMUM PRESSURE	0.5 BAR
MAXIMUM TEMPERATURE (°C)	85°C
MINIMUM TEMPERATURE (°C)	-10°C
THREAD PITCH (MM)	N/A
THREAD REACH (MM)	N/A
OPERATING TEMPERATURE (°C)	-10>85

EXTERNAL MATERIAL	BRASS
INTERNAL MATERIAL	BRASS
STORAGE REQUIREMENTS	CLEAN & DRY
MSDS REQUIRED	N/A
BOX QUANTITY	EACHES

## SPECIAL INSTRUCTIONS

APPROVALS

SUPERVISOR: STORES

HEAD: ASSETS & SUPPLY CHAIN

HEAD: DEPARTMENT

APPROVALS

# STORES STOCK ITEM SPECIFICATION & TECHNICAL DATA SHEET

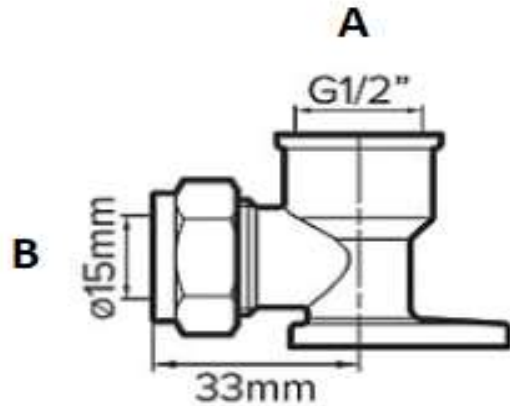


**BERGRIVIER  
MUNICIPALITY**



ITEM NUMBER	WTR-0001028
SHORT DESCRIPTION	15MM WALL PLATES
LONG DETAILED DESCRIPTION	BRASS WALL PLATE - 15MM

## TECHNICAL DRAWINGS



## TECHNICAL SPECIFICATIONS

SIZE A (MM)	1/2"
SIZE B (MM)	15
SIZE C (MM)	N/A
SIZE D	N/A
BRAND	COBRA or Similar
MANUFACTURER WARRANTY	N/A
MAXIMUM PRESSURE	16 BAR
MINIMUM PRESSURE	0.5 BAR
MAXIMUM TEMPERATURE (°C)	85°C
MINIMUM TEMPERATURE (°C)	-10°C
THREAD PITCH (MM)	N/A
THREAD REACH (MM)	N/A
OPERATING TEMPERATURE (°C)	-10>85

EXTERNAL MATERIAL	BRASS
INTERNAL MATERIAL	BRASS
STORAGE REQUIREMENTS	CLEAN & DRY
MSDS REQUIRED	N/A
BOX QUANTITY	EACHES

## SPECIAL INSTRUCTIONS

APPROVALS				APPROVALS
	SUPERVISOR: STORES	HEAD: ASSETS & SUPPLY CHAIN	HEAD: DEPARTMENT	

# STORES STOCK ITEM SPECIFICATION & TECHNICAL DATA SHEET

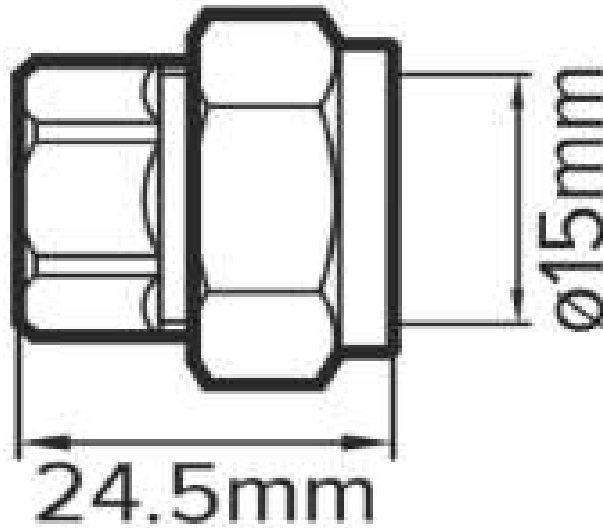


**BERGRIVIER  
MUNICIPALITY**



ITEM NUMBER	WTR-0001029
SHORT DESCRIPTION	COMP STOP ENDS 15MM
LONG DETAILED DESCRIPTION	COMPRESSION STOP ENDS - 15MM

## TECHNICAL DRAWINGS



## TECHNICAL SPECIFICATIONS

SIZE A (MM)	15MM
SIZE B (MM)	N/A
SIZE C (MM)	N/A
SIZE D	N/A
BRAND	COBRA or Similar
MANUFACTURER WARRANTY	N/A
MAXIMUM PRESSURE	16 BAR
MINIMUM PRESSURE	0.5 BAR
MAXIMUM TEMPERATURE (°C)	85°C
MINIMUM TEMPERATURE (°C)	-10°C
THREAD PITCH (MM)	N/A
THREAD REACH (MM)	N/A
OPERATING TEMPERATURE (°C)	-10>85

EXTERNAL MATERIAL	BRASS
INTERNAL MATERIAL	BRASS
STORAGE REQUIREMENTS	CLEAN & DRY
MSDS REQUIRED	N/A
BOX QUANTITY	EACHES

## SPECIAL INSTRUCTIONS

APPROVALS				APPROVALS
	SUPERVISOR: STORES	HEAD: ASSETS & SUPPLY CHAIN	HEAD: DEPARTMENT	

# STORES STOCK ITEM SPECIFICATION & TECHNICAL DATA SHEET

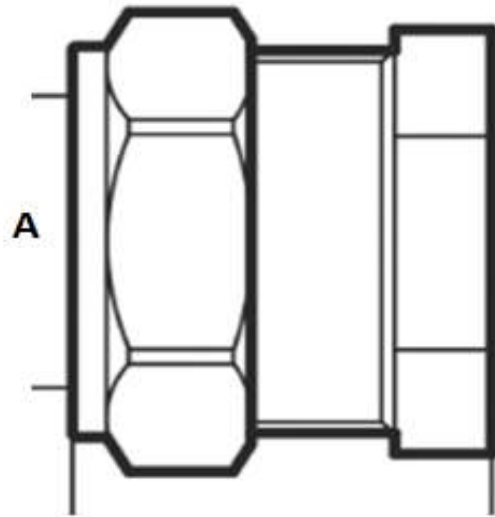


**BERGRIVIER  
MUNICIPALITY**



ITEM NUMBER	WTR-0001030
SHORT DESCRIPTION	COMP STOP ENDS 22MM
LONG DETAILED DESCRIPTION	COMPRESSION STOP END - 22MM

## TECHNICAL DRAWINGS



## TECHNICAL SPECIFICATIONS

SIZE A (MM)	22MM
SIZE B (MM)	N/A
SIZE C (MM)	N/A
SIZE D	N/A
BRAND	COBRA or Similar
MANUFACTURER WARRANTY	N/A
MAXIMUM PRESSURE	16 BAR
MINIMUM PRESSURE	0.5 BAR
MAXIMUM TEMPERATURE (°C)	85°C
MINIMUM TEMPERATURE (°C)	-10°C
THREAD PITCH (MM)	N/A
THREAD REACH (MM)	N/A
OPERATING TEMPERATURE (°C)	-10>85

EXTERNAL MATERIAL	BRASS
INTERNAL MATERIAL	BRASS
STORAGE REQUIREMENTS	CLEAN & DRY
MSDS REQUIRED	N/A
BOX QUANTITY	EACHES

## SPECIAL INSTRUCTIONS

APPROVALS				APPROVALS
	SUPERVISOR: STORES	HEAD: ASSETS & SUPPLY CHAIN	HEAD: DEPARTMENT	

# STORES STOCK ITEM SPECIFICATION & TECHNICAL DATA SHEET



**BERGRIVIER  
MUNICIPALITY**



ITEM NUMBER

WTR-0001031

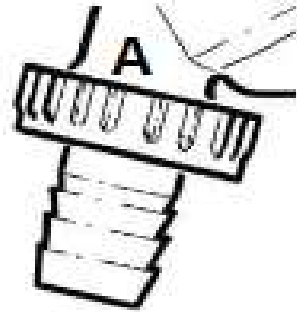
SHORT  
DESCRIPTION

15MM TAP TAIL PIECES

LONG DETAILED  
DESCRIPTION

TAP TAIL PIECES -15MM

## TECHNICAL DRAWINGS



## TECHNICAL SPECIFICATIONS

SIZE A (MM)	15MM
SIZE B (MM)	N/A
SIZE C (MM)	N/A
SIZE D	N/A
BRAND	COBRA or Similar
MANUFACTURER WARRANTY	N/A
MAXIMUM PRESSURE	16 BAR
MINIMUM PRESSURE	0.5 BAR
MAXIMUM TEMPERATURE (°C)	85°C
MINIMUM TEMPERATURE (°C)	-10°C
THREAD PITCH (MM)	N/A
THREAD REACH (MM)	N/A
OPERATING TEMPERATURE (°C)	-10>85

EXTERNAL MATERIAL	BRASS
INTERNAL MATERIAL	BRASS
STORAGE REQUIREMENTS	CLEAN & DRY
MSDS REQUIRED	N/A
BOX QUANTITY	EACHES

## SPECIAL INSTRUCTIONS

APPROVALS

SUPERVISOR: STORES

HEAD: ASSETS & SUPPLY CHAIN

HEAD: DEPARTMENT

APPROVALS

# STORES STOCK ITEM SPECIFICATION & TECHNICAL DATA SHEET



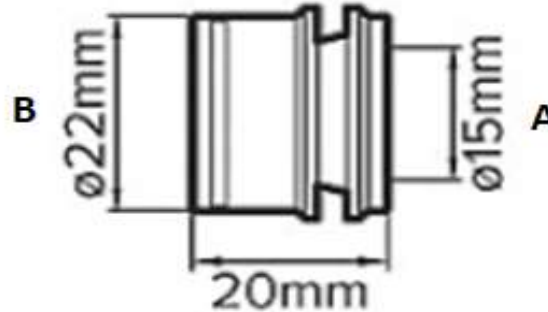
**BERGRIVIER  
MUNICIPALITY**



ITEM NUMBER	WTR-0001032
SHORT DESCRIPTION	COMP REDUCER SET C X C 22MM X 25MM
LONG DETAILED DESCRIPTION	COMPRESSION REDUCER SET COPPER TO COPPER 22 X 15MM

## TECHNICAL DRAWINGS

## TECHNICAL SPECIFICATIONS



SIZE A (MM)	15MM
SIZE B (MM)	22MM
SIZE C (MM)	N/A
SIZE D	N/A
BRAND	COBRA or Similar
MANUFACTURER WARRANTY	N/A
MAXIMUM PRESSURE	16 BAR
MINIMUM PRESSURE	0.5 BAR
MAXIMUM TEMPERATURE (°C)	85°C
MINIMUM TEMPERATURE (°C)	-10°C
THREAD PITCH (MM)	N/A
THREAD REACH (MM)	N/A
OPERATING TEMPERATURE (°C)	-10>85

EXTERNAL MATERIAL	BRASS
INTERNAL MATERIAL	BRASS
STORAGE REQUIREMENTS	CLEAN & DRY
MSDS REQUIRED	N/A
BOX QUANTITY	EACHES

## SPECIAL INSTRUCTIONS

APPROVALS

SUPERVISOR: STORES

HEAD: ASSETS & SUPPLY CHAIN

HEAD: DEPARTMENT

APPROVALS



# STORES STOCK ITEM SPECIFICATION & TECHNICAL DATA SHEET



**BERGRIVIER  
MUNICIPALITY**



ITEM NUMBER

WTR-0001033

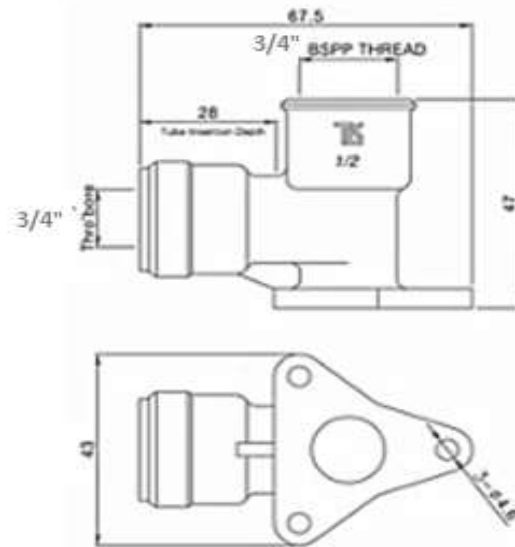
SHORT  
DESCRIPTION

22MM WALL PLATES

LONG DETAILED  
DESCRIPTION

BRASS WALL PLATE - 22MM

## TECHNICAL DRAWINGS



## TECHNICAL SPECIFICATIONS

SIZE A (MM)	3/4"
SIZE B (MM)	22MM
SIZE C (MM)	N/A
SIZE D	N/A
BRAND	COBRA or Similar
MANUFACTURER WARRANTY	N/A
MAXIMUM PRESSURE	16 BAR
MINIMUM PRESSURE	0.5 BAR
MAXIMUM TEMPERATURE (°C)	85°C
MINIMUM TEMPERATURE (°C)	-10°C
THREAD PITCH (MM)	N/A
THREAD REACH (MM)	N/A
OPERATING TEMPERATURE (°C)	-10>85

EXTERNAL MATERIAL	BRASS
INTERNAL MATERIAL	BRASS
STORAGE REQUIREMENTS	CLEAN & DRY
MSDS REQUIRED	N/A
BOX QUANTITY	EACHES

## SPECIAL INSTRUCTIONS

APPROVALS

SUPERVISOR: STORES

HEAD: ASSETS & SUPPLY CHAIN

HEAD: DEPARTMENT

APPROVALS

# STORES STOCK ITEM SPECIFICATION & TECHNICAL DATA SHEET



**BERGRIVIER  
MUNICIPALITY**



ITEM NUMBER

WTR-0001034

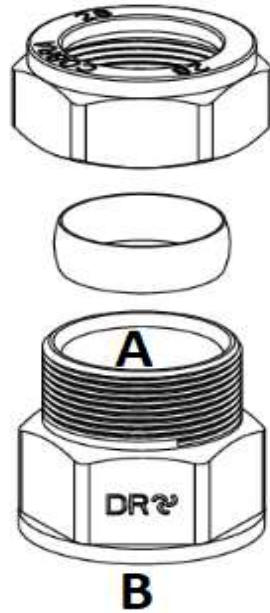
SHORT  
DESCRIPTION

COMP ADT STR C X FI - 28MM

LONG DETAILED  
DESCRIPTION

COMPRESSION ADAPTOR STRAIGHT COPPER X FEMALE IRON - 28MM

## TECHNICAL DRAWINGS



## TECHNICAL SPECIFICATIONS

SIZE A (MM)	28MM
SIZE B (MM)	1"/28MM
SIZE C (MM)	N/A
SIZE D	N/A
BRAND	COBRA or Similar
MANUFACTURER WARRANTY	N/A
MAXIMUM PRESSURE	16 BAR
MINIMUM PRESSURE	0.5 BAR
MAXIMUM TEMPERATURE (°C)	85°C
MINIMUM TEMPERATURE (°C)	-10°C
THREAD PITCH (MM)	N/A
THREAD REACH (MM)	N/A
OPERATING TEMPERATURE (°C)	-10>85

EXTERNAL MATERIAL	BRASS
INTERNAL MATERIAL	BRASS
STORAGE REQUIREMENTS	CLEAN & DRY
MSDS REQUIRED	N/A
BOX QUANTITY	EACHES

## SPECIAL INSTRUCTIONS

APPROVALS

SUPERVISOR: STORES

HEAD: ASSETS & SUPPLY CHAIN

HEAD: DEPARTMENT

APPROVALS

# STORES STOCK ITEM SPECIFICATION & TECHNICAL DATA SHEET



**BERGRIVIER  
MUNICIPALITY**



ITEM NUMBER

WTR-0001035

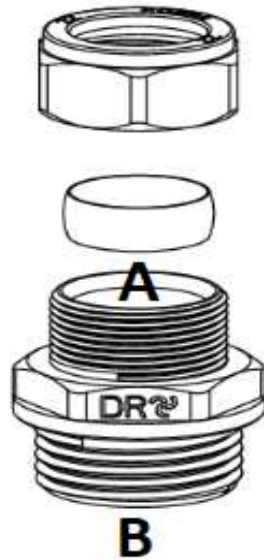
SHORT  
DESCRIPTION

COMP ADT STR C X MI - 28MM

LONG DETAILED  
DESCRIPTION

COMPRESSION ADAPTOR STRAIGHT COPPER X MALE IRON - 28MM

## TECHNICAL DRAWINGS



## TECHNICAL SPECIFICATIONS

SIZE A (MM)	28MM
SIZE B (MM)	28MM
SIZE C (MM)	N/A
SIZE D	N/A
BRAND	COBRA or Similar
MANUFACTURER WARRANTY	N/A
MAXIMUM PRESSURE	16 BAR
MINIMUM PRESSURE	0.5 BAR
MAXIMUM TEMPERATURE (°C)	85°C
MINIMUM TEMPERATURE (°C)	-10°C
THREAD PITCH (MM)	N/A
THREAD REACH (MM)	N/A
OPERATING TEMPERATURE (°C)	-10>85

EXTERNAL MATERIAL	BRASS
INTERNAL MATERIAL	BRASS
STORAGE REQUIREMENTS	CLEAN & DRY
MSDS REQUIRED	N/A
BOX QUANTITY	EACHES

## SPECIAL INSTRUCTIONS

APPROVALS

SUPERVISOR: STORES

HEAD: ASSETS & SUPPLY CHAIN

HEAD: DEPARTMENT

APPROVALS

# STORES STOCK ITEM SPECIFICATION & TECHNICAL DATA SHEET



**BERGRIVIER  
MUNICIPALITY**



ITEM NUMBER

WTR-0001036

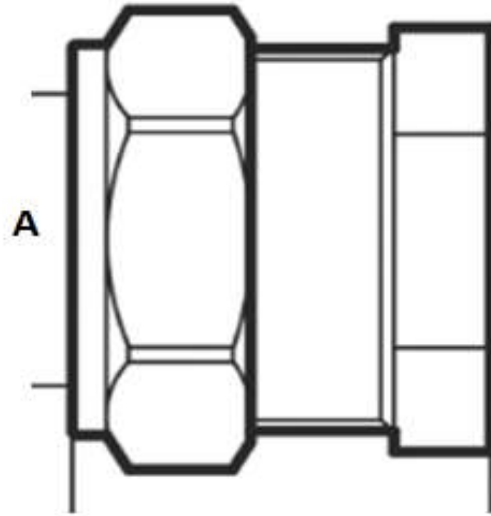
SHORT  
DESCRIPTION

COMP STOP ENDS 28MM

LONG DETAILED  
DESCRIPTION

COMPRESSION STOP END - 28MM

## TECHNICAL DRAWINGS



## TECHNICAL SPECIFICATIONS

SIZE A (MM)	28MM
SIZE B (MM)	N/A
SIZE C (MM)	N/A
SIZE D	N/A
BRAND	COBRA or Similar
MANUFACTURER WARRANTY	N/A
MAXIMUM PRESSURE	16 BAR
MINIMUM PRESSURE	0.5 BAR
MAXIMUM TEMPERATURE (°C)	85°C
MINIMUM TEMPERATURE (°C)	-10°C
THREAD PITCH (MM)	N/A
THREAD REACH (MM)	N/A
OPERATING TEMPERATURE (°C)	-10>85

EXTERNAL MATERIAL	BRASS
INTERNAL MATERIAL	BRASS
STORAGE REQUIREMENTS	CLEAN & DRY
MSDS REQUIRED	N/A
BOX QUANTITY	EACHES

## SPECIAL INSTRUCTIONS

APPROVALS

SUPERVISOR: STORES

HEAD: ASSETS & SUPPLY CHAIN

HEAD: DEPARTMENT

APPROVALS

# STORES STOCK ITEM SPECIFICATION & TECHNICAL DATA SHEET



**BERGRIVIER  
MUNICIPALITY**



ITEM NUMBER

WTR-0001037

SHORT  
DESCRIPTION

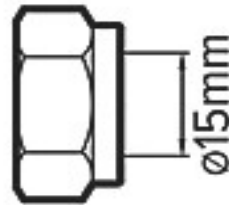
COMP NUT 15MM

LONG DETAILED  
DESCRIPTION

COMPRESSION NUT 15MM

## TECHNICAL DRAWINGS

## TECHNICAL SPECIFICATIONS



SIZE A (MM)	15MM
SIZE B (MM)	N/A
SIZE C (MM)	N/A
SIZE D	N/A
BRAND	COBRA or Similar
MANUFACTURER WARRANTY	N/A
MAXIMUM PRESSURE	16 BAR
MINIMUM PRESSURE	0.5 BAR
MAXIMUM TEMPERATURE (°C)	85°C
MINIMUM TEMPERATURE (°C)	-10°C
THREAD PITCH (MM)	N/A
THREAD REACH (MM)	N/A
OPERATING TEMPERATURE (°C)	-10>85

EXTERNAL MATERIAL	BRASS
INTERNAL MATERIAL	BRASS
STORAGE REQUIREMENTS	CLEAN & DRY
MSDS REQUIRED	N/A
BOX QUANTITY	EACHES

## SPECIAL INSTRUCTIONS

APPROVALS

SUPERVISOR: STORES

HEAD: ASSETS & SUPPLY CHAIN

HEAD: DEPARTMENT

APPROVALS

# STORES STOCK ITEM SPECIFICATION & TECHNICAL DATA SHEET



**BERGRIVIER  
MUNICIPALITY**



ITEM NUMBER

WTR-0001038

SHORT  
DESCRIPTION

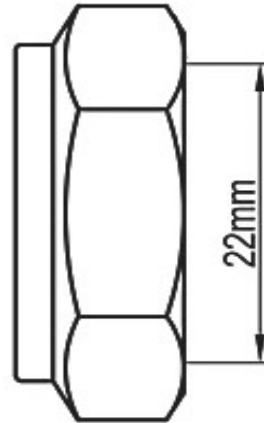
COMP NUT 22MM

LONG DETAILED  
DESCRIPTION

COMPRESSION NUT 22MM

## TECHNICAL DRAWINGS

## TECHNICAL SPECIFICATIONS



SIZE A (MM)	22MM
SIZE B (MM)	N/A
SIZE C (MM)	N/A
SIZE D	N/A
BRAND	COBRA or Similar
MANUFACTURER WARRANTY	N/A
MAXIMUM PRESSURE	16 BAR
MINIMUM PRESSURE	0.5 BAR
MAXIMUM TEMPERATURE (°C)	85°C
MINIMUM TEMPERATURE (°C)	-10°C
THREAD PITCH (MM)	N/A
THREAD REACH (MM)	N/A
OPERATING TEMPERATURE (°C)	-10>85

EXTERNAL MATERIAL	BRASS
INTERNAL MATERIAL	BRASS
STORAGE REQUIREMENTS	CLEAN & DRY
MSDS REQUIRED	N/A
BOX QUANTITY	EACHES

## SPECIAL INSTRUCTIONS

APPROVALS

SUPERVISOR: STORES

HEAD: ASSETS & SUPPLY CHAIN

HEAD: DEPARTMENT

APPROVALS

# STORES STOCK ITEM SPECIFICATION & TECHNICAL DATA SHEET



**BERGRIVIER  
MUNICIPALITY**



ITEM NUMBER

WTR-0001039

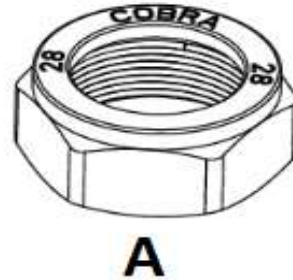
SHORT  
DESCRIPTION

COMP NUT 28MM

LONG DETAILED  
DESCRIPTION

COMPRESSION NUT 28MM

## TECHNICAL DRAWINGS



## TECHNICAL SPECIFICATIONS

SIZE A (MM)	28MM
SIZE B (MM)	N/A
SIZE C (MM)	N/A
SIZE D	N/A
BRAND	COBRA or Similar
MANUFACTURER WARRANTY	N/A
MAXIMUM PRESSURE	16 BAR
MINIMUM PRESSURE	0.5 BAR
MAXIMUM TEMPERATURE (°C)	85°C
MINIMUM TEMPERATURE (°C)	-10°C
THREAD PITCH (MM)	N/A
THREAD REACH (MM)	N/A
OPERATING TEMPERATURE (°C)	-10>85

EXTERNAL MATERIAL	BRASS
INTERNAL MATERIAL	BRASS
STORAGE REQUIREMENTS	CLEAN & DRY
MSDS REQUIRED	N/A
BOX QUANTITY	EACHES

## SPECIAL INSTRUCTIONS

APPROVALS

SUPERVISOR: STORES

HEAD: ASSETS & SUPPLY CHAIN

HEAD: DEPARTMENT

APPROVALS

# STORES STOCK ITEM SPECIFICATION & TECHNICAL DATA SHEET



**BERGRIVIER  
MUNICIPALITY**



ITEM NUMBER

WTR-0002001

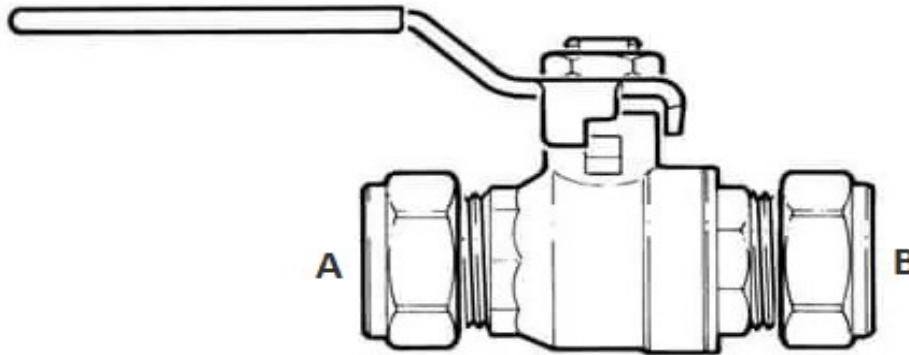
SHORT  
DESCRIPTION

BALL VALVE C X C LEVER - 15MM

LONG DETAILED  
DESCRIPTION

BALL VAVLE COPPER TO COPPER LEVER - 15MM

## TECHNICAL DRAWINGS



## TECHNICAL SPECIFICATIONS

SIZE A (MM)	15MM
SIZE B (MM)	15MM
SIZE C (MM)	N/A
SIZE D	N/A
BRAND	N/A
MANUFACTURER WARRANTY	N/A
MAXIMUM PRESSURE	16 BAR
MINIMUM PRESSURE	0.5 BAR
MAXIMUM TEMPERATURE (°C)	85°C
MINIMUM TEMPERATURE (°C)	-10°C
THREAD PITCH (MM)	N/A
THREAD REACH (MM)	N/A
OPERATING TEMPERATURE (°C)	-10>85

EXTERNAL MATERIAL Chrome plated Brass/High Polished Mild steel

INTERNAL MATERIAL Stainless Steel/Brass

STORAGE REQUIREMENTS CLEAN & DRY

MSDS REQUIRED N/A

BOX QUANTITY EACHES

## SPECIAL INSTRUCTIONS

APPROVALS

SUPERVISOR: STORES

HEAD: ASSETS & SUPPLY CHAIN

HEAD: DEPARTMENT

APPROVALS



# STORES STOCK ITEM SPECIFICATION & TECHNICAL DATA SHEET



**BERGRIVIER  
MUNICIPALITY**



ITEM NUMBER

WTR-0002002

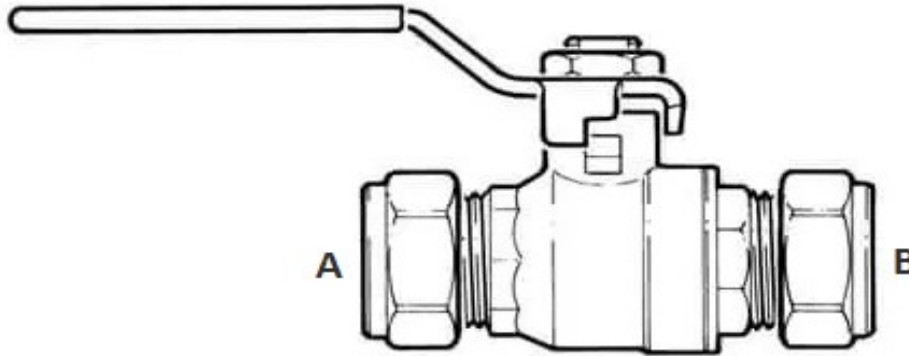
SHORT  
DESCRIPTION

BALL VALVE C X C LEVER - 22MM

LONG DETAILED  
DESCRIPTION

BALL VAVLE COPPER TO COPPER LEVER - 22MM

## TECHNICAL DRAWINGS



## TECHNICAL SPECIFICATIONS

SIZE A (MM)	22MM
SIZE B (MM)	22MM
SIZE C (MM)	N/A
SIZE D	N/A
BRAND	N/A
MANUFACTURER WARRANTY	N/A
MAXIMUM PRESSURE	16 BAR
MINIMUM PRESSURE	0.5 BAR
MAXIMUM TEMPERATURE (°C)	85°C
MINIMUM TEMPERATURE (°C)	-10°C
THREAD PITCH (MM)	N/A
THREAD REACH (MM)	N/A
OPERATING TEMPERATURE (°C)	-10>85

EXTERNAL MATERIAL Chrome plated Brass/High Polished Mild steel

INTERNAL MATERIAL Stainless Steel/Brass

STORAGE REQUIREMENTS CLEAN & DRY

MSDS REQUIRED N/A

BOX QUANTITY EACHES

## SPECIAL INSTRUCTIONS

APPROVALS

SUPERVISOR: STORES

HEAD: ASSETS & SUPPLY CHAIN

HEAD: DEPARTMENT

APPROVALS

# STORES STOCK ITEM SPECIFICATION & TECHNICAL DATA SHEET



**BERGRIVIER  
MUNICIPALITY**



ITEM NUMBER

WTR-0002003

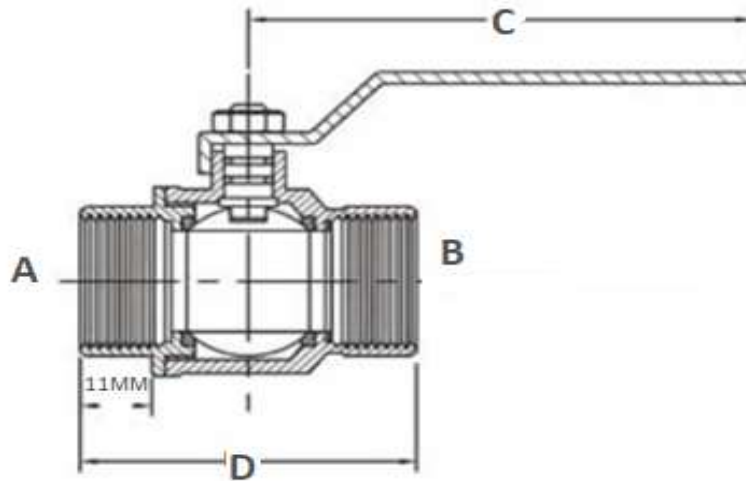
SHORT  
DESCRIPTION

BALL VALVE FI X FI LEVER - 25MM

LONG DETAILED  
DESCRIPTION

BALL VALVE FEMALE TO IRON X FEMALE IRON LEVER - 25MM

## TECHNICAL DRAWINGS



## TECHNICAL SPECIFICATIONS

SIZE A (MM)	30.5MM
SIZE B (MM)	30.5MM
SIZE C (MM)	112MM
SIZE D (MM)	61MM
BRAND	BRESCIA OR SIMILAR
MANUFACTURER WARRANTY	N/A
MAXIMUM PRESSURE	16 BAR
MINIMUM PRESSURE	0.5 BAR
MAXIMUM TEMPERATURE (°C)	85°C
MINIMUM TEMPERATURE (°C)	-10°C
THREAD PITCH (MM)	N/A
THREAD REACH (MM)	N/A
OPERATING TEMPERATURE (°C)	-10>85

EXTERNAL MATERIAL Chrome plated Brass/High Polished Mild steel

INTERNAL MATERIAL Stainless Steel/Brass

STORAGE REQUIREMENTS CLEAN & DRY

MSDS REQUIRED N/A

BOX QUANTITY EACHES

## SPECIAL INSTRUCTIONS

APPROVALS

SUPERVISOR: STORES

HEAD: ASSETS & SUPPLY CHAIN

HEAD: DEPARTMENT

APPROVALS

# STORES STOCK ITEM SPECIFICATION & TECHNICAL DATA SHEET



**BERGRIVIER  
MUNICIPALITY**



ITEM NUMBER

WTR-0002004

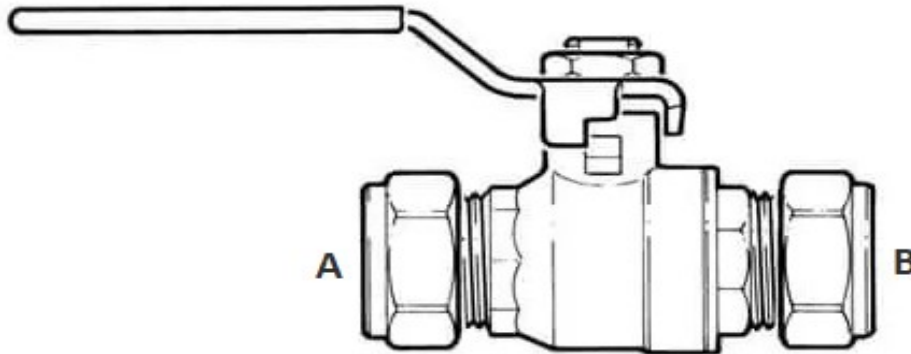
SHORT  
DESCRIPTION

BALL VALVE C X C LEVER - 28MM

LONG DETAILED  
DESCRIPTION

BALL VALVE COPPER TO COPPER LEVER - 28MM

## TECHNICAL DRAWINGS



## TECHNICAL SPECIFICATIONS

SIZE A (MM)	28MM
SIZE B (MM)	28MM
SIZE C (MM)	N/A
SIZE D	N/A
BRAND	N/A
MANUFACTURER WARRANTY	N/A
MAXIMUM PRESSURE	16 BAR
MINIMUM PRESSURE	0.5 BAR
MAXIMUM TEMPERATURE (°C)	85°C
MINIMUM TEMPERATURE (°C)	-10°C
THREAD PITCH (MM)	N/A
THREAD REACH (MM)	N/A
OPERATING TEMPERATURE (°C)	-10>85

EXTERNAL MATERIAL Chrome plated Brass/High Polished Mild steel

INTERNAL MATERIAL Stainless Steel/Brass

STORAGE REQUIREMENTS CLEAN & DRY

MSDS REQUIRED N/A

BOX QUANTITY EACHES

## SPECIAL INSTRUCTIONS

APPROVALS

SUPERVISOR: STORES

HEAD: ASSETS & SUPPLY CHAIN

HEAD: DEPARTMENT

APPROVALS

# STORES STOCK ITEM SPECIFICATION & TECHNICAL DATA SHEET



**BERGRIVIER  
MUNICIPALITY**



ITEM NUMBER

WTR-0002005

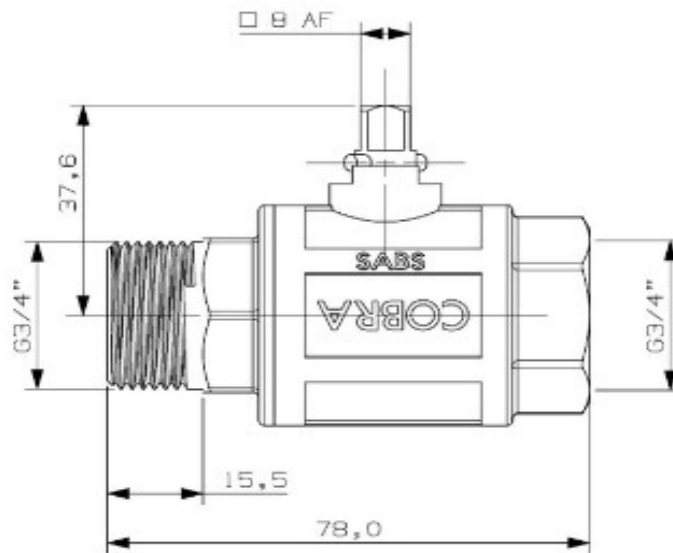
SHORT  
DESCRIPTION

MUNICIPAL BALL VALVE 22MM

LONG DETAILED  
DESCRIPTION

MUNICIPAL BALL VALVE 22MM

## TECHNICAL DRAWINGS



## TECHNICAL SPECIFICATIONS

SIZE A (MM)	22MM / ¾"
SIZE B (MM)	22MM / ¾"
SIZE C (MM)	78MM
SIZE D	8MM
BRAND	COBRA OR SIMILAR
MANUFACTURER WARRANTY	2 YEARS
MAXIMUM PRESSURE	16 BAR
MINIMUM PRESSURE	0.5 BAR
MAXIMUM TEMPERATURE (°C)	85°C
MINIMUM TEMPERATURE (°C)	-10°C
THREAD PITCH (MM)	N/A
THREAD REACH (MM)	N/A
OPERATING TEMPERATURE (°C)	-10>85

EXTERNAL MATERIAL Solid Brass

INTERNAL MATERIAL Solid Brass

STORAGE REQUIREMENTS CLEAN & DRY

MSDS REQUIRED N/A

BOX QUANTITY EACHES

## SPECIAL INSTRUCTIONS

APPROVALS

SUPERVISOR: STORES

HEAD: ASSETS & SUPPLY CHAIN

HEAD: DEPARTMENT

APPROVALS

# STORES STOCK ITEM SPECIFICATION & TECHNICAL DATA SHEET



**BERGRIVIER  
MUNICIPALITY**



ITEM NUMBER

WTR-0002006

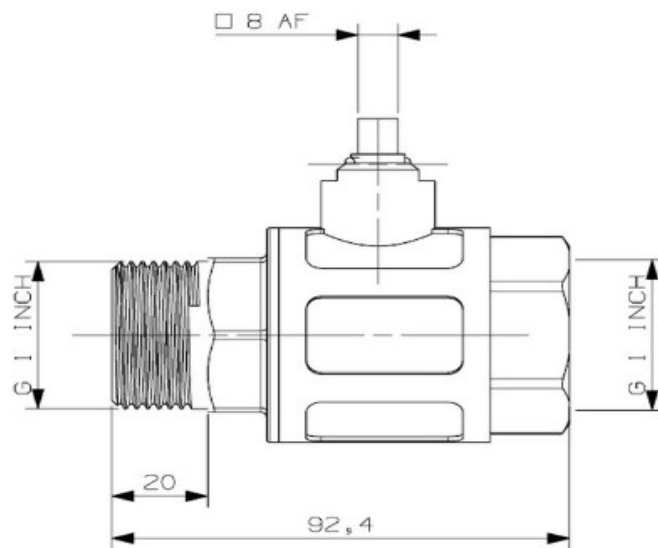
SHORT  
DESCRIPTION

MUNICIPAL BALL VALVE 28MM

LONG DETAILED  
DESCRIPTION

MUNICIPAL BALL VALVE 28MM

## TECHNICAL DRAWINGS



## TECHNICAL SPECIFICATIONS

SIZE A (MM)	28MM / 1"
SIZE B (MM)	28MM / 1"
SIZE C (MM)	92.4MM
SIZE D	8MM
BRAND	COBRA OR SIMILAR
MANUFACTURER WARRANTY	2 YEARS
MAXIMUM PRESSURE	16 BAR
MINIMUM PRESSURE	0.5 BAR
MAXIMUM TEMPERATURE (°C)	85°C
MINIMUM TEMPERATURE (°C)	-10°C
THREAD PITCH (MM)	N/A
THREAD REACH (MM)	N/A
OPERATING TEMPERATURE (°C)	-10>85

EXTERNAL MATERIAL Solid Brass

INTERNAL MATERIAL Solid Brass

STORAGE REQUIREMENTS CLEAN & DRY

MSDS REQUIRED N/A

BOX QUANTITY EACHES

## SPECIAL INSTRUCTIONS

APPROVALS

SUPERVISOR: STORES

HEAD: ASSETS & SUPPLY CHAIN

HEAD: DEPARTMENT

APPROVALS

# STORES STOCK ITEM SPECIFICATION & TECHNICAL DATA SHEET

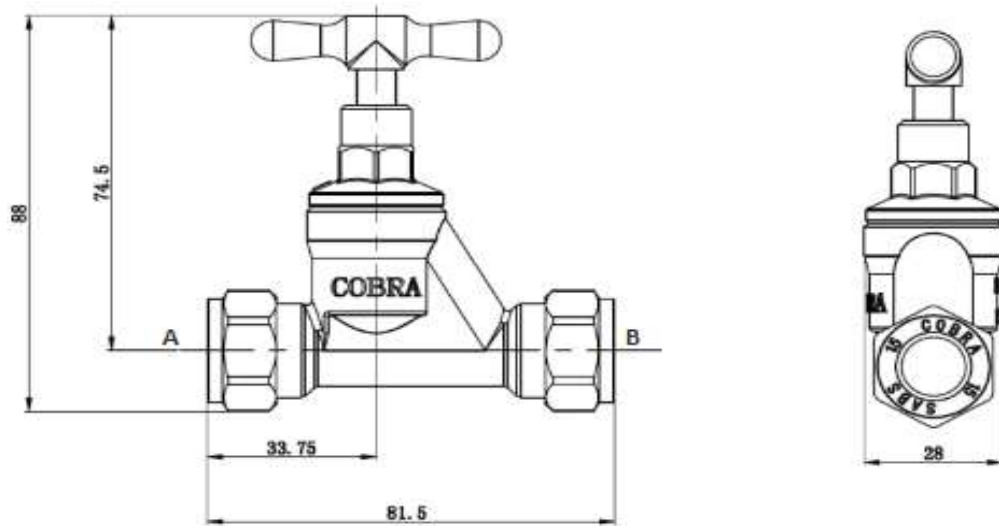


**BERGRIVIER  
MUNICIPALITY**



ITEM NUMBER	WTR-0002007
SHORT DESCRIPTION	BRASS STOP TAP 15MM C X C
LONG DETAILED DESCRIPTION	BRASS STOP TAP 15MM COPPER X COPPER

## TECHNICAL DRAWINGS



## TECHNICAL SPECIFICATIONS

SIZE A (MM)	15MM
SIZE B (MM)	15MM
SIZE C (MM)	88MM
SIZE D	81.5MM
BRAND	COBRA OR SIMILAR
MANUFACTURER WARRANTY	2 YEARS
MAXIMUM PRESSURE	16 BAR
MINIMUM PRESSURE	0.5 BAR
MAXIMUM TEMPERATURE (°C)	85°C
MINIMUM TEMPERATURE (°C)	-10°C
THREAD PITCH (MM)	N/A
THREAD REACH (MM)	N/A
OPERATING TEMPERATURE (°C)	-10>85

EXTERNAL MATERIAL	Solid Brass
INTERNAL MATERIAL	Solid Brass
STORAGE REQUIREMENTS	CLEAN & DRY
MSDS REQUIRED	N/A
BOX QUANTITY	EACHES

## SPECIAL INSTRUCTIONS

APPROVALS				APPROVALS
	SUPERVISOR: STORES	HEAD: ASSETS & SUPPLY CHAIN	HEAD: DEPARTMENT	

# STORES STOCK ITEM SPECIFICATION & TECHNICAL DATA SHEET

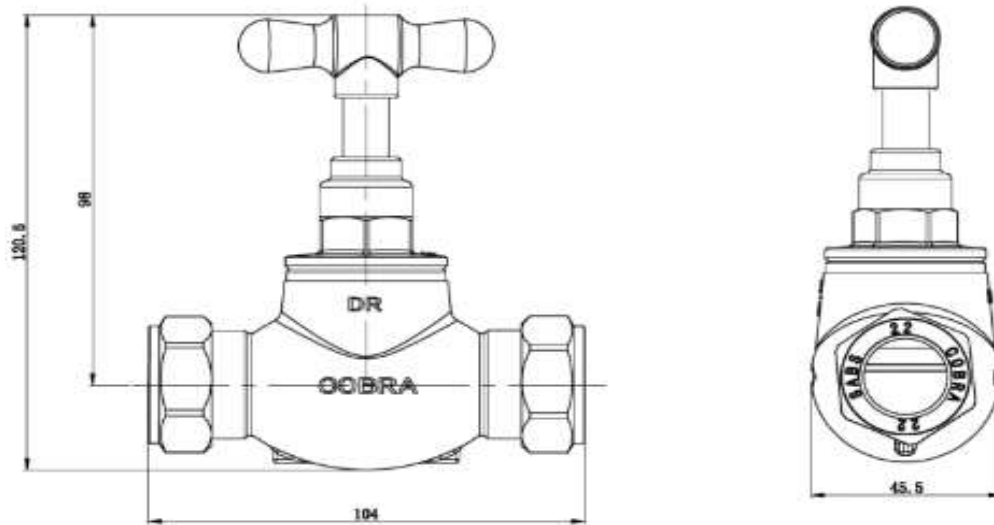


**BERGRIVIER  
MUNICIPALITY**



ITEM NUMBER	WTR-0002008
SHORT DESCRIPTION	BRASS STOP TAP 22MM C X C
LONG DETAILED DESCRIPTION	BRASS STOP TAP 22MM COPPER TO COPPER

## TECHNICAL DRAWINGS



## TECHNICAL SPECIFICATIONS

SIZE A (MM)	22MM
SIZE B (MM)	22MM
SIZE C (MM)	104MM
SIZE D	120.6MM
BRAND	COBRA OR SIMILAR
MANUFACTURER WARRANTY	2 YEARS
MAXIMUM PRESSURE	16 BAR
MINIMUM PRESSURE	0.5 BAR
MAXIMUM TEMPERATURE (°C)	85°C
MINIMUM TEMPERATURE (°C)	-10°C
THREAD PITCH (MM)	N/A
THREAD REACH (MM)	N/A
OPERATING TEMPERATURE (°C)	-10>85

EXTERNAL MATERIAL	Solid Brass
INTERNAL MATERIAL	Solid Brass
STORAGE REQUIREMENTS	CLEAN & DRY
MSDS REQUIRED	N/A
BOX QUANTITY	EACHES

## SPECIAL INSTRUCTIONS

APPROVALS				APPROVALS
	SUPERVISOR: STORES	HEAD: ASSETS & SUPPLY CHAIN	HEAD: DEPARTMENT	



# STORES STOCK ITEM SPECIFICATION & TECHNICAL DATA SHEET

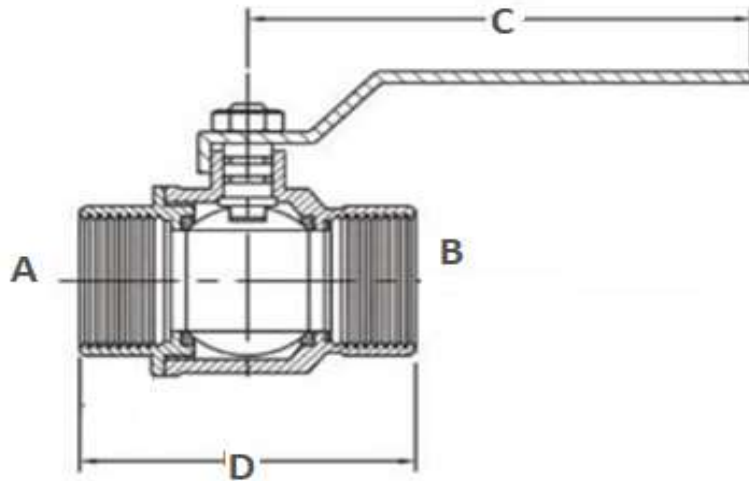


**BERGRIVIER  
MUNICIPALITY**



ITEM NUMBER	WTR-0002009
SHORT DESCRIPTION	BALL VALVE FI X FI LEVER - 20MM
LONG DETAILED DESCRIPTION	BALL VALVE FEMALE TO IRON X FEMALE TO IRON LEVER - 20MM

## TECHNICAL DRAWINGS



## TECHNICAL SPECIFICATIONS

SIZE A (MM)	½"
SIZE B (MM)	½"
SIZE C (MM)	112MM
SIZE D	N/A
BRAND	BRESCIA OR SIMILAR
MANUFACTURER WARRANTY	N/A
MAXIMUM PRESSURE	16 BAR
MINIMUM PRESSURE	0.5 BAR
MAXIMUM TEMPERATURE (°C)	85°C
MINIMUM TEMPERATURE (°C)	-10°C
THREAD PITCH (MM)	N/A
THREAD REACH (MM)	N/A
OPERATING TEMPERATURE (°C)	-10>85

EXTERNAL MATERIAL	Chrome plated Brass/High Polished Mild steel
INTERNAL MATERIAL	Stainless Steel/Brass
STORAGE REQUIREMENTS	CLEAN & DRY
MSDS REQUIRED	N/A
BOX QUANTITY	EACHES

## SPECIAL INSTRUCTIONS

APPROVALS				APPROVALS
	SUPERVISOR: STORES	HEAD: ASSETS & SUPPLY CHAIN	HEAD: DEPARTMENT	

# STORES STOCK ITEM SPECIFICATION & TECHNICAL DATA SHEET



**BERGRIVIER  
MUNICIPALITY**



ITEM NUMBER

WTR-0002010

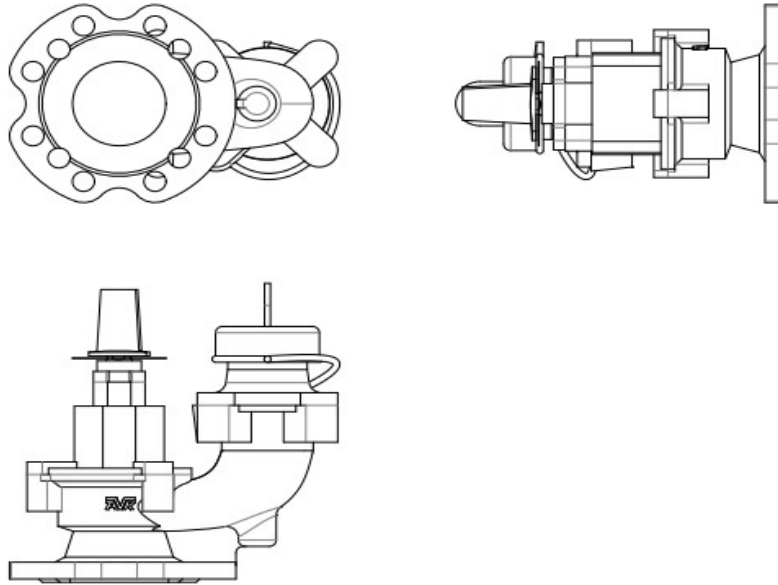
SHORT  
DESCRIPTION

FIRE HYDRANT VALVE

LONG DETAILED  
DESCRIPTION

FIRE HYDRANT VALVE (TAMPERPROOF) RIGHT ANGLE 80MM

## TECHNICAL DRAWINGS



## TECHNICAL SPECIFICATIONS

SIZE A (MM)	DN80 (80MM)
SIZE B (MM)	N/A
SIZE C (MM)	N/A
SIZE D	N/A
BRAND	AVK or similar
MANUFACTURER WARRANTY	NOT STATED
MAXIMUM PRESSURE	PN16 (16 BAR)
MINIMUM PRESSURE	NOT STATED
MAXIMUM TEMPERATURE (°C)	70°C
MINIMUM TEMPERATURE (°C)	NOT STATED
THREAD PITCH (MM)	N/A
THREAD REACH (MM)	N/A
OPERATING TEMPERATURE (°C)	-10°C > 70°C

EXTERNAL MATERIAL	BRASS
INTERNAL MATERIAL	BRASS
STORAGE REQUIREMENTS	CLEAN & DRY
MSDS REQUIRED	N/A
BOX QUANTITY	EACHES

## SPECIAL INSTRUCTIONS

APPROVALS

SUPERVISOR: STORES

HEAD: ASSETS & SUPPLY CHAIN

HEAD: DEPARTMENT

APPROVALS

# STORES STOCK ITEM SPECIFICATION & TECHNICAL DATA SHEET



**BERGRIVIER  
MUNICIPALITY**



ITEM NUMBER

WTR-0002011

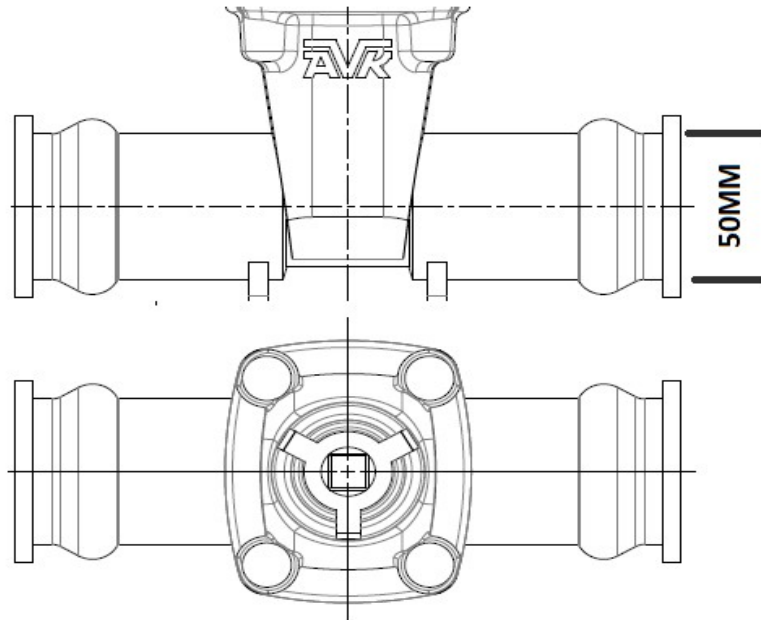
SHORT  
DESCRIPTION

GATE VALVE PN16 - DN50 (50MM)

LONG DETAILED  
DESCRIPTION

GATE VALVE PN16 - DN50 (50MM)

## TECHNICAL DRAWINGS



## TECHNICAL SPECIFICATIONS

SIZE A (MM)	50MM
SIZE B (MM)	N/A
SIZE C (MM)	N/A
SIZE D	N/A
BRAND	AVK
MANUFACTURER WARRANTY	N/A
MAXIMUM PRESSURE	PN16 (16 BAR)
MINIMUM PRESSURE	NOT STATED
MAXIMUM TEMPERATURE (°C)	70°C
MINIMUM TEMPERATURE (°C)	NOT STATED
THREAD PITCH (MM)	N/A
THREAD REACH (MM)	N/A
OPERATING TEMPERATURE (°C)	0 > 70°C

EXTERNAL MATERIAL CAST IRON POWDER COATED - BLUE(RAL5017) TO SANS 664

INTERNAL MATERIAL STAINLESS STEEL

STORAGE REQUIREMENTS CLEAN & DRY

MSDS REQUIRED N/A

BOX QUANTITY EACHES

## SPECIAL INSTRUCTIONS

LOCALLY PRODUCED CONTENT

LEFT HAND CLOSING VALVE

APPROVALS

SUPERVISOR: STORES

HEAD: ASSETS & SUPPLY CHAIN

HEAD: DEPARTMENT

APPROVALS

# STORES STOCK ITEM SPECIFICATION & TECHNICAL DATA SHEET



**BERGRIVIER  
MUNICIPALITY**



ITEM NUMBER

WTR-0002012

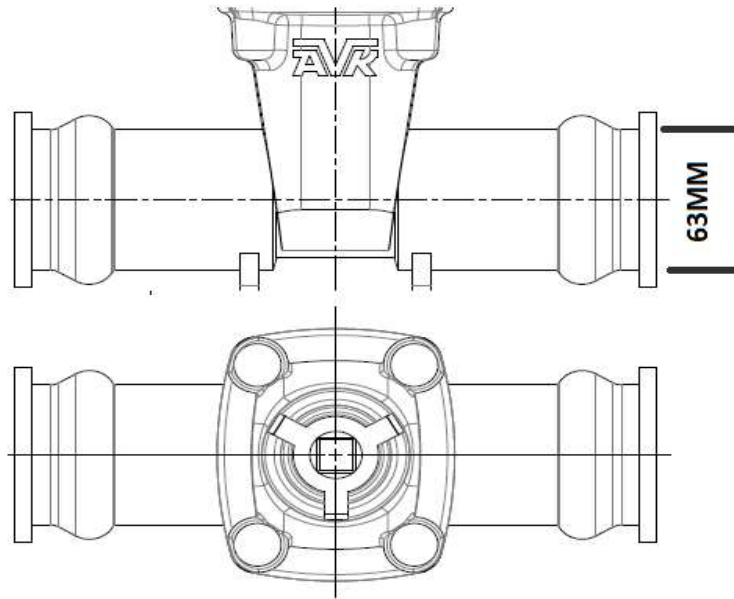
SHORT  
DESCRIPTION

GATE VALVE PN16 - DN63 (63MM)

LONG DETAILED  
DESCRIPTION

GATE VALVE PN16 - DN63 (63MM)

## TECHNICAL DRAWINGS



## TECHNICAL SPECIFICATIONS

SIZE A (MM)	63MM
SIZE B (MM)	N/A
SIZE C (MM)	N/A
SIZE D	N/A
BRAND	AVK
MANUFACTURER WARRANTY	N/A
MAXIMUM PRESSURE	PN16 (16 BAR)
MINIMUM PRESSURE	NOT STATED
MAXIMUM TEMPERATURE (°C)	70°C
MINIMUM TEMPERATURE (°C)	NOT STATED
THREAD PITCH (MM)	N/A
THREAD REACH (MM)	N/A
OPERATING TEMPERATURE (°C)	0 > 70°C

EXTERNAL MATERIAL CAST IRON POWDER COATED - BLUE(RAL5017) TO SANS 664

INTERNAL MATERIAL STAINLESS STEEL

STORAGE REQUIREMENTS CLEAN & DRY

MSDS REQUIRED N/A

BOX QUANTITY EACHES

## SPECIAL INSTRUCTIONS

LOCALLY PRODUCED CONTENT

LEFT HAND CLOSING VALVE

APPROVALS

SUPERVISOR: STORES

HEAD: ASSETS & SUPPLY CHAIN

HEAD: DEPARTMENT

APPROVALS

# STORES STOCK ITEM SPECIFICATION & TECHNICAL DATA SHEET



**BERGRIVIER  
MUNICIPALITY**



ITEM NUMBER

WTR-0002013

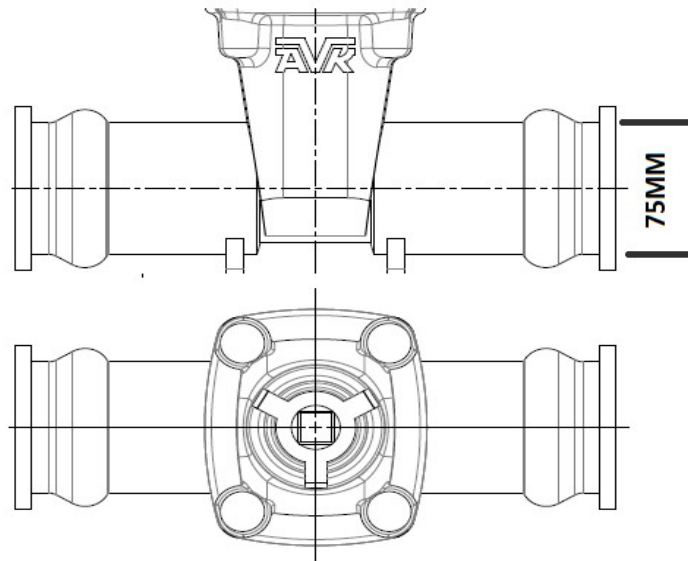
SHORT  
DESCRIPTION

GATE VALVE PN16 - DN75 (75MM)

LONG DETAILED  
DESCRIPTION

GATE VALVE PN16 - DN75 (75MM)

## TECHNICAL DRAWINGS



## TECHNICAL SPECIFICATIONS

SIZE A (MM)	75MM
SIZE B (MM)	N/A
SIZE C (MM)	N/A
SIZE D	N/A
BRAND	AVK
MANUFACTURER WARRANTY	N/A
MAXIMUM PRESSURE	PN16 (16 BAR)
MINIMUM PRESSURE	NOT STATED
MAXIMUM TEMPERATURE (°C)	70°C
MINIMUM TEMPERATURE (°C)	NOT STATED
THREAD PITCH (MM)	N/A
THREAD REACH (MM)	N/A
OPERATING TEMPERATURE (°C)	0 > 70°C

EXTERNAL MATERIAL CAST IRON POWDER COATED - BLUE(RAL5017) TO SANS 664

INTERNAL MATERIAL STAINLESS STEEL

STORAGE REQUIREMENTS CLEAN & DRY

MSDS REQUIRED N/A

BOX QUANTITY EACHES

## SPECIAL INSTRUCTIONS

LOCALLY PRODUCED CONTENT

LEFT HAND CLOSING VALVE

APPROVALS

SUPERVISOR: STORES

HEAD: ASSETS & SUPPLY CHAIN

HEAD: DEPARTMENT

APPROVALS

# STORES STOCK ITEM SPECIFICATION & TECHNICAL DATA SHEET



**BERGRIVIER  
MUNICIPALITY**



ITEM NUMBER

WTR-0002014

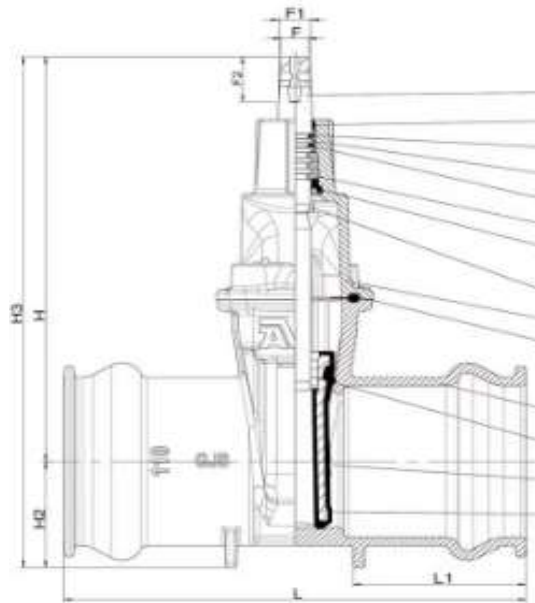
SHORT  
DESCRIPTION

GATE VALVE PN16 - DN110 (110MM)

LONG DETAILED  
DESCRIPTION

GATE VALVE PN16 - DN110 (110MM)

## TECHNICAL DRAWINGS



## TECHNICAL SPECIFICATIONS

SIZE A (MM)	110MM
SIZE B (MM)	N/A
SIZE C (MM)	N/A
SIZE D	N/A
BRAND	AVK
MANUFACTURER WARRANTY	N/A
MAXIMUM PRESSURE	PN16 (16 BAR)
MINIMUM PRESSURE	NOT STATED
MAXIMUM TEMPERATURE (°C)	70°C
MINIMUM TEMPERATURE (°C)	NOT STATED
THREAD PITCH (MM)	N/A
THREAD REACH (MM)	N/A
OPERATING TEMPERATURE (°C)	0 > 70°C

EXTERNAL MATERIAL CAST IRON POWDER COATED - BLUE(RAL5017) TO SANS 664

INTERNAL MATERIAL STAINLESS STEEL

STORAGE REQUIREMENTS CLEAN & DRY

MSDS REQUIRED N/A

BOX QUANTITY EACHES

## SPECIAL INSTRUCTIONS

LOCALLY PRODUCED CONTENT

LEFT HAND CLOSING VALVE

APPROVALS

SUPERVISOR: STORES

HEAD: ASSETS & SUPPLY CHAIN

HEAD: DEPARTMENT

APPROVALS

# STORES STOCK ITEM SPECIFICATION & TECHNICAL DATA SHEET



**BERGRIVIER  
MUNICIPALITY**



ITEM NUMBER

WTR-0002015

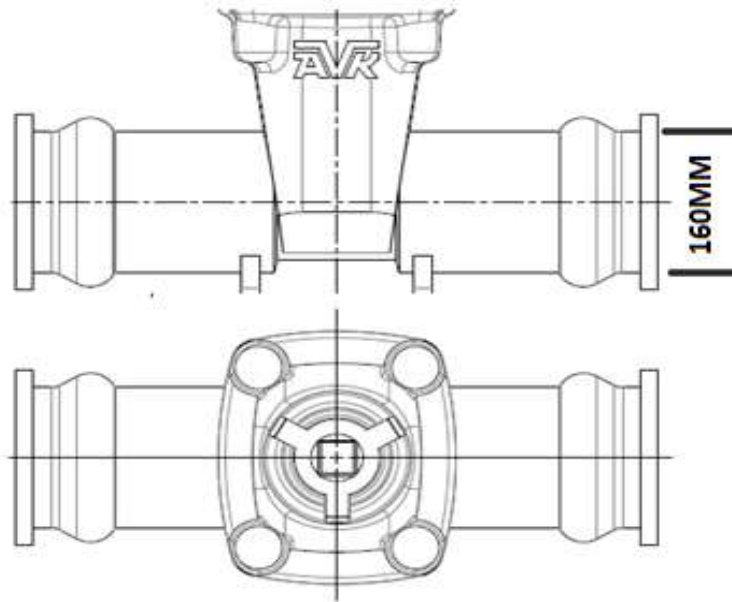
SHORT  
DESCRIPTION

GATE VALVE PN16 - DN160 (160MM)

LONG DETAILED  
DESCRIPTION

GATE VALVE PN16 - DN160 (160MM)

## TECHNICAL DRAWINGS



## TECHNICAL SPECIFICATIONS

SIZE A (MM)	160MM
SIZE B (MM)	N/A
SIZE C (MM)	N/A
SIZE D	N/A
BRAND	AVK
MANUFACTURER WARRANTY	N/A
MAXIMUM PRESSURE	PN16 (16 BAR)
MINIMUM PRESSURE	NOT STATED
MAXIMUM TEMPERATURE (°C)	70°C
MINIMUM TEMPERATURE (°C)	NOT STATED
THREAD PITCH (MM)	N/A
THREAD REACH (MM)	N/A
OPERATING TEMPERATURE (°C)	0 > 70°C

EXTERNAL MATERIAL CAST IRON POWDER COATED - BLUE(RAL5017) TO SANS 664

INTERNAL MATERIAL STAINLESS STEEL

STORAGE REQUIREMENTS CLEAN & DRY

MSDS REQUIRED N/A

BOX QUANTITY EACHES

## SPECIAL INSTRUCTIONS

LOCALLY PRODUCED CONTENT

LEFT HAND CLOSING VALVE

APPROVALS

SUPERVISOR: STORES

HEAD: ASSETS & SUPPLY CHAIN

HEAD: DEPARTMENT

APPROVALS



# STORES STOCK ITEM SPECIFICATION & TECHNICAL DATA SHEET



**BERGRIVIER  
MUNICIPALITY**



ITEM NUMBER

WTR-0002016

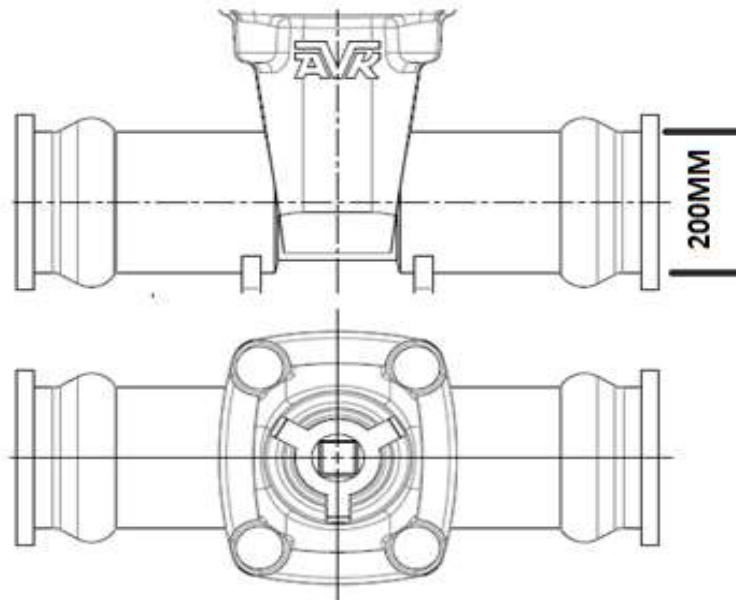
SHORT  
DESCRIPTION

GATE VALVE PN16 - DN200 (200MM)

LONG DETAILED  
DESCRIPTION

GATE VALVE PN16 - DN200 (200MM)

## TECHNICAL DRAWINGS



## TECHNICAL SPECIFICATIONS

SIZE A (MM)	200MM
SIZE B (MM)	N/A
SIZE C (MM)	N/A
SIZE D	N/A
BRAND	AVK
MANUFACTURER WARRANTY	N/A
MAXIMUM PRESSURE	PN16 (16 BAR)
MINIMUM PRESSURE	NOT STATED
MAXIMUM TEMPERATURE (°C)	70°C
MINIMUM TEMPERATURE (°C)	NOT STATED
THREAD PITCH (MM)	N/A
THREAD REACH (MM)	N/A
OPERATING TEMPERATURE (°C)	0 > 70°C

EXTERNAL MATERIAL CAST IRON POWDER COATED - BLUE(RAL5017) TO SANS 664

INTERNAL MATERIAL STAINLESS STEEL

STORAGE REQUIREMENTS CLEAN & DRY

MSDS REQUIRED N/A

BOX QUANTITY EACHES

## SPECIAL INSTRUCTIONS

LOCALLY PRODUCED CONTENT

LEFT HAND CLOSING VALVE

APPROVALS

SUPERVISOR: STORES

HEAD: ASSETS & SUPPLY CHAIN

HEAD: DEPARTMENT

APPROVALS

# STORES STOCK ITEM SPECIFICATION & TECHNICAL DATA SHEET



**BERGRIVIER  
MUNICIPALITY**



ITEM NUMBER

WTR-0002017

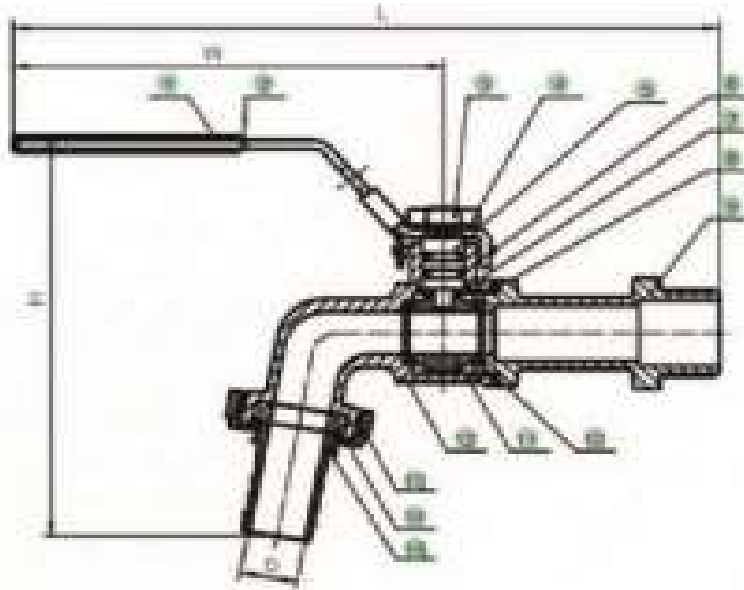
SHORT  
DESCRIPTION

BIBCOCK & HOSE UNION CHROME 15MM

LONG DETAILED  
DESCRIPTION

BIBCOCK & HOSE UNION CHROME 15MM

## TECHNICAL DRAWINGS



## TECHNICAL SPECIFICATIONS

SIZE A (MM)	15MM
SIZE B (MM)	N/A
SIZE C (MM)	N/A
SIZE D	N/A
BRAND	N/A
MANUFACTURER WARRANTY	N/A
MAXIMUM PRESSURE	16 BAR
MINIMUM PRESSURE	0.5 BAR
MAXIMUM TEMPERATURE (°C)	85°C
MINIMUM TEMPERATURE (°C)	-10°C
THREAD PITCH (MM)	N/A
THREAD REACH (MM)	N/A
OPERATING TEMPERATURE (°C)	-10>85

EXTERNAL MATERIAL Chrome plated Brass/High Polished Mild steel

INTERNAL MATERIAL Stainless Steel/Brass

STORAGE REQUIREMENTS CLEAN & DRY

MSDS REQUIRED N/A

BOX QUANTITY EACHES

## SPECIAL INSTRUCTIONS

APPROVALS

SUPERVISOR: STORES

HEAD: ASSETS & SUPPLY CHAIN

HEAD: DEPARTMENT

APPROVALS

# STORES STOCK ITEM SPECIFICATION & TECHNICAL DATA SHEET



**BERGRIVIER  
MUNICIPALITY**



ITEM NUMBER

WTR-0002019

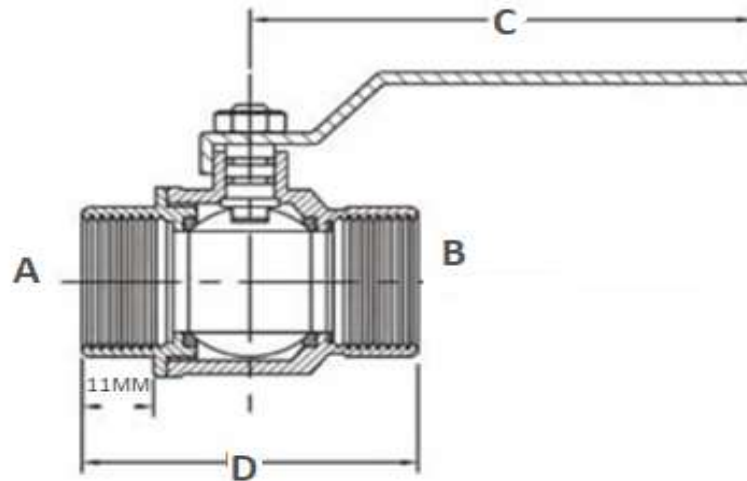
SHORT  
DESCRIPTION

BALL VALVE PVC FI X FI 25MM

LONG DETAILED  
DESCRIPTION

BALL VALVE PVC FEMALE TO IRON X FEMALE TO IRON 25MM

## TECHNICAL DRAWINGS



## TECHNICAL SPECIFICATIONS

SIZE A (MM)	½"
SIZE B (MM)	½"
SIZE C (MM)	112MM
SIZE D	N/A
BRAND	UNI-FLO or similar
MANUFACTURER WARRANTY	N/A
MAXIMUM PRESSURE	16 BAR
MINIMUM PRESSURE	0.5 BAR
MAXIMUM TEMPERATURE (°C)	85°C
MINIMUM TEMPERATURE (°C)	-10°C
THREAD PITCH (MM)	N/A
THREAD REACH (MM)	N/A
OPERATING TEMPERATURE (°C)	-10>85

EXTERNAL MATERIAL NYLON

INTERNAL MATERIAL Stainless Steel/Brass

STORAGE REQUIREMENTS CLEAN & DRY

MSDS REQUIRED N/A

BOX QUANTITY EACHES

## SPECIAL INSTRUCTIONS

APPROVALS

SUPERVISOR: STORES

HEAD: ASSETS & SUPPLY CHAIN

HEAD: DEPARTMENT

APPROVALS

# STORES STOCK ITEM SPECIFICATION & TECHNICAL DATA SHEET



**BERGRIVIER  
MUNICIPALITY**



ITEM NUMBER

WTR-0002020

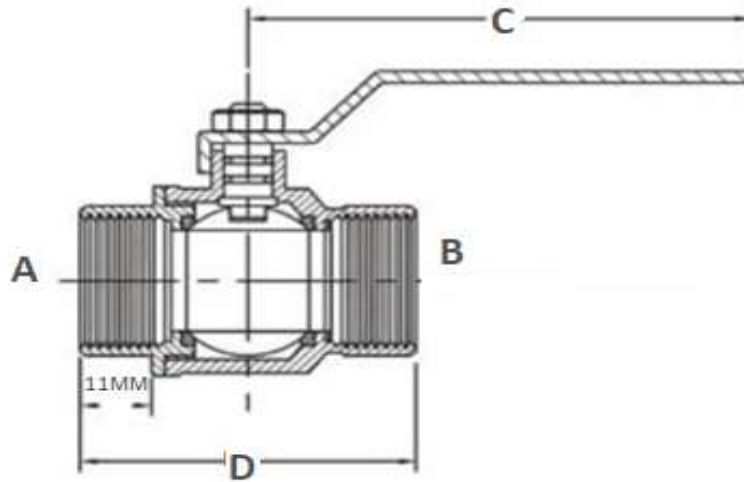
SHORT  
DESCRIPTION

BALL VALVE PVC FI X FI 32MM

LONG DETAILED  
DESCRIPTION

BALL VALVE PVC FI X FI 32MM

## TECHNICAL DRAWINGS



## TECHNICAL SPECIFICATIONS

SIZE A (MM)	¾"
SIZE B (MM)	¾"
SIZE C (MM)	112MM
SIZE D	N/A
BRAND	UNI-FLO or similar
MANUFACTURER WARRANTY	N/A
MAXIMUM PRESSURE	16 BAR
MINIMUM PRESSURE	0.5 BAR
MAXIMUM TEMPERATURE (°C)	85°C
MINIMUM TEMPERATURE (°C)	-10°C
THREAD PITCH (MM)	N/A
THREAD REACH (MM)	N/A
OPERATING TEMPERATURE (°C)	-10>85

EXTERNAL MATERIAL NYLON

INTERNAL MATERIAL Stainless Steel/Brass

STORAGE REQUIREMENTS CLEAN & DRY

MSDS REQUIRED N/A

BOX QUANTITY EACHES

## SPECIAL INSTRUCTIONS

APPROVALS

SUPERVISOR: STORES

HEAD: ASSETS & SUPPLY CHAIN

HEAD: DEPARTMENT

APPROVALS

# STORES STOCK ITEM SPECIFICATION & TECHNICAL DATA SHEET



**BERGRIVIER  
MUNICIPALITY**



ITEM NUMBER

WTR-0002021

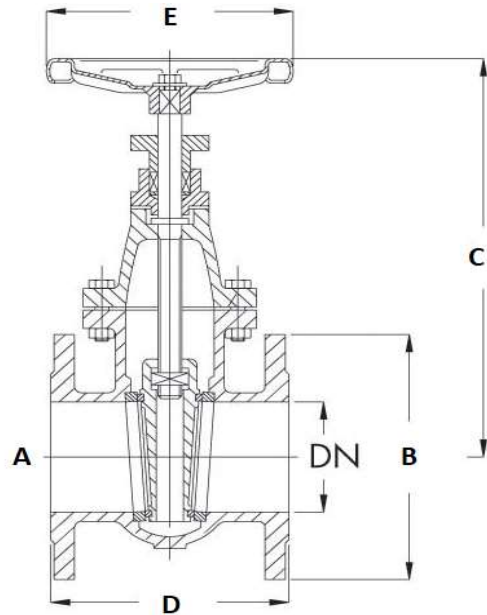
SHORT  
DESCRIPTION

GATE VALVE PN16 - DN150 (150MM) FLANGED

LONG DETAILED  
DESCRIPTION

GATE VALVE PN16 - DN150 (150MM) FLANGED

## TECHNICAL DRAWINGS



## TECHNICAL SPECIFICATIONS

SIZE A (MM)	150mm
SIZE B (MM)	N/A
SIZE C (MM)	N/A
SIZE D	N/A
BRAND	AVK/UNI-FLO or similar
MANUFACTURER WARRANTY	N/A
MAXIMUM PRESSURE	PN16 (16 BAR)
MINIMUM PRESSURE	NOT STATED
MAXIMUM TEMPERATURE (°C)	70°C
MINIMUM TEMPERATURE (°C)	NOT STATED
THREAD PITCH (MM)	N/A
THREAD REACH (MM)	N/A
OPERATING TEMPERATURE (°C)	0 > 70°C

EXTERNAL MATERIAL	CAST IRON POWDER COATED - BLUE(RAL5017) TO SANS 664
INTERNAL MATERIAL	STAINLESS STEEL
STORAGE REQUIREMENTS	CLEAN & DRY
MSDS REQUIRED	N/A
BOX QUANTITY	EACHES

## SPECIAL INSTRUCTIONS

APPROVALS

SUPERVISOR: STORES

HEAD: ASSETS & SUPPLY CHAIN

HEAD: DEPARTMENT

APPROVALS

# STORES STOCK ITEM SPECIFICATION & TECHNICAL DATA SHEET



**BERGRIVIER  
MUNICIPALITY**



ITEM NUMBER

WTR-0002022

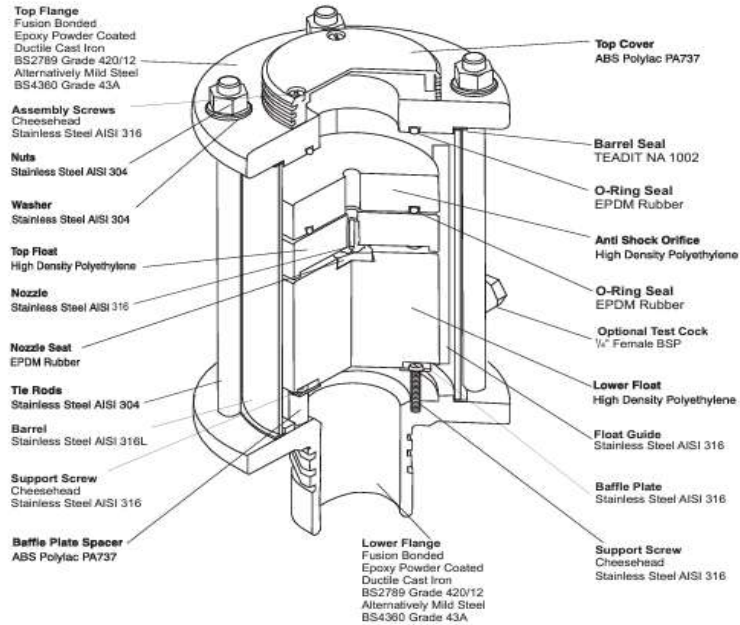
SHORT  
DESCRIPTION

50MM VARIANT AIR RELEASE/VACUUM BREAK VALVE

LONG DETAILED  
DESCRIPTION

50MM VARIANT AIR RELEASE/VACUUM BREAK VALVE

## TECHNICAL DRAWINGS



## TECHNICAL SPECIFICATIONS

SIZE A (MM)	DN50
SIZE B (MM)	N/A
SIZE C (MM)	N/A
SIZE D	N/A
BRAND	AVANG OR SIMILAR
MANUFACTURER WARRANTY	N/A
MAXIMUM PRESSURE	N/A
MINIMUM PRESSURE	N/A
MAXIMUM TEMPERATURE (°C)	N/A
MINIMUM TEMPERATURE (°C)	N/A
THREAD PITCH (MM)	N/A
THREAD REACH (MM)	N/A
OPERATING TEMPERATURE (°C)	N/A

EXTERNAL MATERIAL	STAINLESS STEEL
INTERNAL MATERIAL	STAINLESS STEEL & HDPE
STORAGE REQUIREMENTS	CLEAN & DRY
MSDS REQUIRED	N/A
BOX QUANTITY	EACH

SPECIAL INSTRUCTIONS	

APPROVALS			
	SUPERVISOR: STORES	HEAD: ASSETS & SUPPLY CHAIN	HEAD: DEPARTMENT

APPROVALS	

# STORES STOCK ITEM SPECIFICATION & TECHNICAL DATA SHEET



**BERGRIVIER  
MUNICIPALITY**

	ITEM NUMBER	WTR-0002023
	SHORT DESCRIPTION	DZ WATERTITE TAP - 15MM
	LONG DETAILED DESCRIPTION	DZ WATERTITE TAP - 15MM

TECHNICAL DRAWINGS		TECHNICAL SPECIFICATIONS		
		SIZE A (MM)	15MM	
		SIZE B (MM)	N/A	
		SIZE C (MM)	N/A	
		SIZE D	N/A	
		BRAND	N/A	
		MANUFACTURER WARRANTY	N/A	
		MAXIMUM PRESSURE	N/A	
		MINIMUM PRESSURE	N/A	
		MAXIMUM TEMPERATURE (°C)	N/A	
		MINIMUM TEMPERATURE (°C)	N/A	
		THREAD PITCH (MM)	N/A	
		THREAD REACH (MM)	N/A	
		OPERATING TEMPERATURE (°C)	N/A	
EXTERNAL MATERIAL	N/A	SPECIAL INSTRUCTIONS		
INTERNAL MATERIAL	N/A			
STORAGE REQUIREMENTS	N/A			
MSDS REQUIRED	N/A			
BOX QUANTITY	N/A			
APPROVALS				APPROVALS
	SUPERVISOR: STORES	HEAD: ASSETS & SUPPLY CHAIN	HEAD: DEPARTMENT	



# STORES STOCK ITEM SPECIFICATION & TECHNICAL DATA SHEET



**BERGRIVIER  
MUNICIPALITY**



ITEM NUMBER

WTR-0002024

SHORT  
DESCRIPTION

PLASTIC STOP TAP - 15MM

LONG DETAILED  
DESCRIPTION

PLASTIC STOP TAP - 15MM

## TECHNICAL DRAWINGS

## TECHNICAL SPECIFICATIONS

SIZE A (MM)	15MM
SIZE B (MM)	15MM
SIZE C (MM)	N/A
SIZE D	N/A
BRAND	N/A
MANUFACTURER WARRANTY	N/A
MAXIMUM PRESSURE	16 BAR
MINIMUM PRESSURE	0.5 BAR
MAXIMUM TEMPERATURE (°C)	85°C
MINIMUM TEMPERATURE (°C)	-10°C
THREAD PITCH (MM)	N/A
THREAD REACH (MM)	N/A
OPERATING TEMPERATURE (°C)	-10>85

EXTERNAL MATERIAL	NYLON/MPVC/UPVC
INTERNAL MATERIAL	NYLON/MPVC/UPVC
STORAGE REQUIREMENTS	DRY AND NOT IN DIRECT SUNLIGHT
MSDS REQUIRED	N/A
BOX QUANTITY	EACH

## SPECIAL INSTRUCTIONS

APPROVALS

SUPERVISOR: STORES

HEAD: ASSETS & SUPPLY CHAIN

HEAD: DEPARTMENT

APPROVALS

# STORES STOCK ITEM SPECIFICATION & TECHNICAL DATA SHEET



**BERGRIVIER  
MUNICIPALITY**



ITEM NUMBER

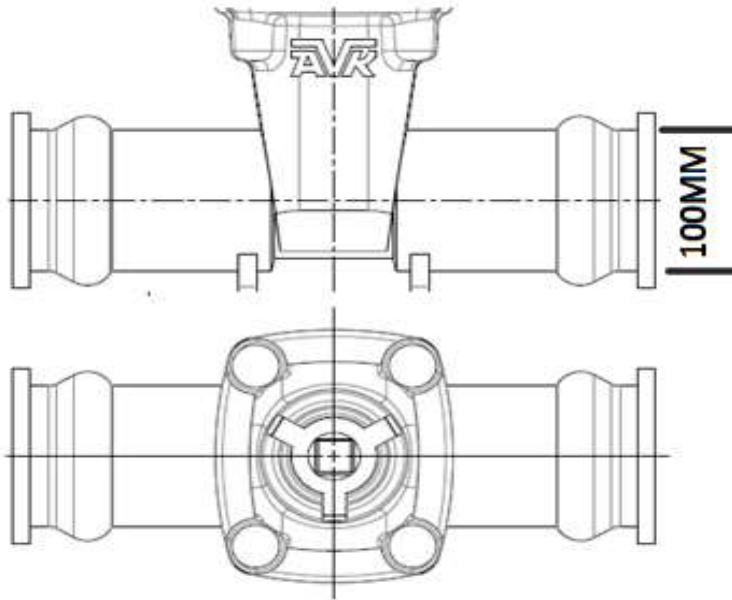
WTR-0002025

SHORT  
DESCRIPTION

GATE VALVE PN16 - DN100 (100MM)

LONG DETAILED  
DESCRIPTION

## TECHNICAL DRAWINGS



## TECHNICAL SPECIFICATIONS

SIZE A (MM)	100MM
SIZE B (MM)	N/A
SIZE C (MM)	N/A
SIZE D	N/A
BRAND	AVK
MANUFACTURER WARRANTY	N/A
MAXIMUM PRESSURE	PN16 (16 BAR)
MINIMUM PRESSURE	NOT STATED
MAXIMUM TEMPERATURE (°C)	70°C
MINIMUM TEMPERATURE (°C)	NOT STATED
THREAD PITCH (MM)	N/A
THREAD REACH (MM)	N/A
OPERATING TEMPERATURE (°C)	0 > 70°C

EXTERNAL MATERIAL CAST IRON POWDER COATED - BLUE(RAL5017) TO SANS 664

INTERNAL MATERIAL STAINLESS STEEL

STORAGE REQUIREMENTS CLEAN & DRY

MSDS REQUIRED N/A

BOX QUANTITY EACHES

## SPECIAL INSTRUCTIONS

APPROVALS

SUPERVISOR: STORES

HEAD: ASSETS & SUPPLY CHAIN

HEAD: DEPARTMENT

APPROVALS

# STORES STOCK ITEM SPECIFICATION & TECHNICAL DATA SHEET



**BERGRIVIER  
MUNICIPALITY**



ITEM NUMBER

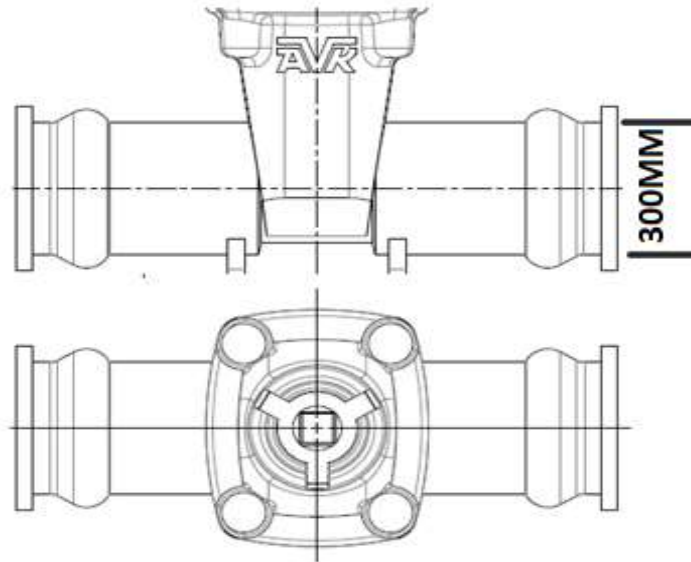
WTR-0002026

SHORT  
DESCRIPTION

GATE VALVE PN16 - DN300 (300MM)

LONG DETAILED  
DESCRIPTION

## TECHNICAL DRAWINGS



## TECHNICAL SPECIFICATIONS

SIZE A (MM)	300MM
SIZE B (MM)	N/A
SIZE C (MM)	N/A
SIZE D	N/A
BRAND	AVK
MANUFACTURER WARRANTY	N/A
MAXIMUM PRESSURE	PN16 (16 BAR)
MINIMUM PRESSURE	NOT STATED
MAXIMUM TEMPERATURE (°C)	70°C
MINIMUM TEMPERATURE (°C)	NOT STATED
THREAD PITCH (MM)	N/A
THREAD REACH (MM)	N/A
OPERATING TEMPERATURE (°C)	0 > 70°C

EXTERNAL MATERIAL CAST IRON POWDER COATED - BLUE(RAL5017) TO SANS 664

INTERNAL MATERIAL STAINLESS STEEL

STORAGE REQUIREMENTS CLEAN & DRY

MSDS REQUIRED N/A

BOX QUANTITY EACHES

## SPECIAL INSTRUCTIONS

APPROVALS

SUPERVISOR: STORES

HEAD: ASSETS & SUPPLY CHAIN

HEAD: DEPARTMENT

APPROVALS

# STORES STOCK ITEM SPECIFICATION & TECHNICAL DATA SHEET



**BERGRIVIER  
MUNICIPALITY**



ITEM NUMBER

WTR-0002027

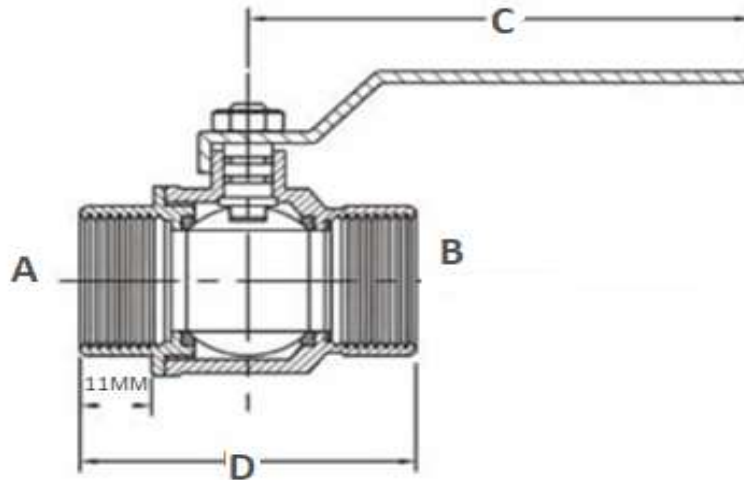
SHORT  
DESCRIPTION

BALL VALVE PVC FI X FI 15MM

LONG DETAILED  
DESCRIPTION

BALL VALVE PVC FI X FI 32MM

## TECHNICAL DRAWINGS



## TECHNICAL SPECIFICATIONS

SIZE A (MM)	½"
SIZE B (MM)	½"
SIZE C (MM)	112MM
SIZE D	N/A
BRAND	UNI-FLO or similar
MANUFACTURER WARRANTY	N/A
MAXIMUM PRESSURE	16 BAR
MINIMUM PRESSURE	0.5 BAR
MAXIMUM TEMPERATURE (°C)	85°C
MINIMUM TEMPERATURE (°C)	-10°C
THREAD PITCH (MM)	N/A
THREAD REACH (MM)	N/A
OPERATING TEMPERATURE (°C)	-10>85

EXTERNAL MATERIAL NYLON

INTERNAL MATERIAL Stainless Steel/Brass

STORAGE REQUIREMENTS CLEAN & DRY

MSDS REQUIRED N/A

BOX QUANTITY EACHES

## SPECIAL INSTRUCTIONS

APPROVALS

SUPERVISOR: STORES

HEAD: ASSETS & SUPPLY CHAIN

HEAD: DEPARTMENT

APPROVALS

# STORES STOCK ITEM SPECIFICATION & TECHNICAL DATA SHEET



**BERGRIVIER  
MUNICIPALITY**



ITEM NUMBER

WTR-0002028

SHORT  
DESCRIPTION

PLASTIC STOP TAP - 22MM

LONG DETAILED  
DESCRIPTION

PLASTIC STOP TAP - 22MM

## TECHNICAL DRAWINGS

## TECHNICAL SPECIFICATIONS

SIZE A (MM)	22MM
SIZE B (MM)	22MM
SIZE C (MM)	N/A
SIZE D	N/A
BRAND	N/A
MANUFACTURER WARRANTY	N/A
MAXIMUM PRESSURE	16 BAR
MINIMUM PRESSURE	0.5 BAR
MAXIMUM TEMPERATURE (°C)	85°C
MINIMUM TEMPERATURE (°C)	-10°C
THREAD PITCH (MM)	N/A
THREAD REACH (MM)	N/A
OPERATING TEMPERATURE (°C)	-10>85

EXTERNAL MATERIAL	NYLON/MPVC/UPVC
INTERNAL MATERIAL	NYLON/MPVC/UPVC
STORAGE REQUIREMENTS	DRY AND NOT IN DIRECT SUNLIGHT
MSDS REQUIRED	N/A
BOX QUANTITY	EACH

## SPECIAL INSTRUCTIONS

APPROVALS

SUPERVISOR: STORES

HEAD: ASSETS & SUPPLY CHAIN

HEAD: DEPARTMENT

APPROVALS

# STORES STOCK ITEM SPECIFICATION & TECHNICAL DATA SHEET



**BERGRIVIER  
MUNICIPALITY**



ITEM NUMBER

WTR-0002029

SHORT  
DESCRIPTION

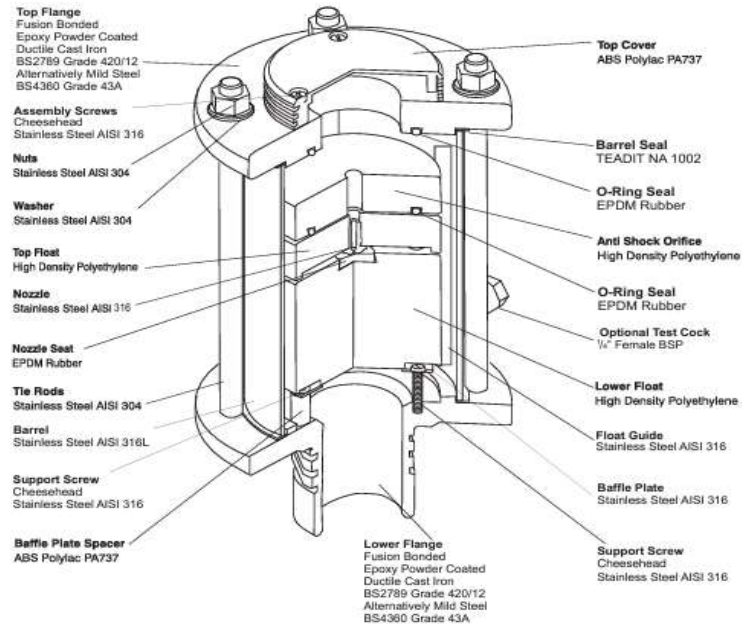
25MM VARIANT AIR RELEASE/VACUUM BREAK VALVE

LONG DETAILED  
DESCRIPTION

25MM VARIANT AIR RELEASE/VACUUM BREAK VALVE

## TECHNICAL DRAWINGS

## TECHNICAL SPECIFICATIONS



SIZE A (MM)	DN25
SIZE B (MM)	N/A
SIZE C (MM)	N/A
SIZE D	N/A
BRAND	AVANG OR SIMILAR
MANUFACTURER WARRANTY	N/A
MAXIMUM PRESSURE	N/A
MINIMUM PRESSURE	N/A
MAXIMUM TEMPERATURE (°C)	N/A
MINIMUM TEMPERATURE (°C)	N/A
THREAD PITCH (MM)	N/A
THREAD REACH (MM)	N/A
OPERATING TEMPERATURE (°C)	N/A

EXTERNAL MATERIAL	STAINLESS STEEL
INTERNAL MATERIAL	STAINLESS STEEL & HDPE
STORAGE REQUIREMENTS	CLEAN & DRY
MSDS REQUIRED	N/A
BOX QUANTITY	EACH

SPECIAL INSTRUCTIONS	

APPROVALS			
	SUPERVISOR: STORES	HEAD: ASSETS & SUPPLY CHAIN	HEAD: DEPARTMENT

APPROVALS	

# STORES STOCK ITEM SPECIFICATION & TECHNICAL DATA SHEET



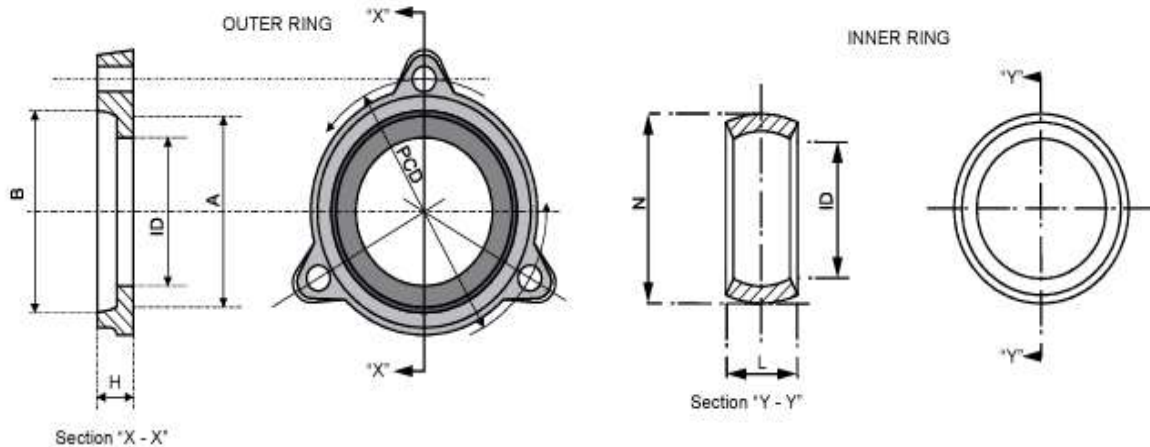
**BERGRIVIER  
MUNICIPALITY**



ITEM NUMBER	WTR-0003001
SHORT DESCRIPTION	SHORT COLLAR - 50
LONG DETAILED DESCRIPTION	SHORT COLLAR - 50

## TECHNICAL DRAWINGS

## TECHNICAL SPECIFICATIONS



OUTER ID SIZE	72
SIZE B (MM) OUTER	99
SIZE N (MM) INNER	90
INNER ID SIZE	73
BRAND	KLINGER/SANSPAR
MANUFACTURER WARRANTY	N/A
MAXIMUM PRESSURE	N/A
MINIMUM PRESSURE	N/A
MAXIMUM TEMPERATURE (°C)	N/A
MINIMUM TEMPERATURE (°C)	N/A
THREAD PITCH (MM)	N/A
THREAD REACH (MM)	N/A
OPERATING TEMPERATURE (°C)	N/A
BOLT SIZE	M16 X 90 X 30

EXTERNAL MATERIAL	CAST IRON - POWDERCOATED
INTERNAL MATERIAL	CAST IRON - POWDERCOATED
STORAGE REQUIREMENTS	CLEAR & DRY
MSDS REQUIRED	N/A
BOX QUANTITY	EACH

## SPECIAL INSTRUCTIONS

APPROVALS				APPROVALS
	SUPERVISOR: STORES	HEAD: ASSETS & SUPPLY CHAIN	HEAD: DEPARTMENT	



# STORES STOCK ITEM SPECIFICATION & TECHNICAL DATA SHEET



**BERGRIVIER  
MUNICIPALITY**



ITEM NUMBER

WTR-0003002

SHORT  
DESCRIPTION

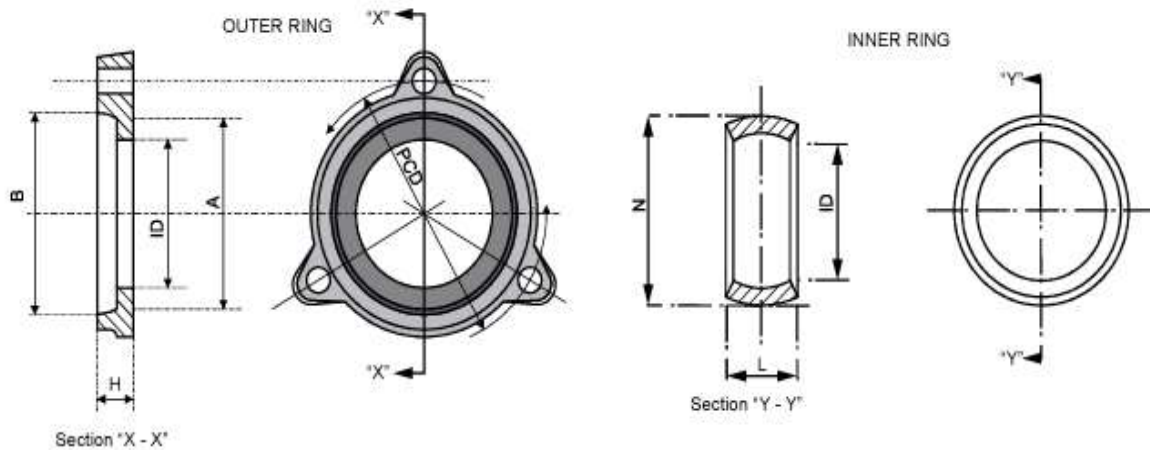
SHORT COLLAR - 75

LONG DETAILED  
DESCRIPTION

SHORT COLLAR - 75

## TECHNICAL DRAWINGS

## TECHNICAL SPECIFICATIONS



OUTER ID SIZE	72
SIZE B (MM) OUTER	127
SIZE N (MM) INNER	117
INNER ID SIZE	73
BRAND	KLINGER/SANSPAR
MANUFACTURER WARRANTY	N/A
MAXIMUM PRESSURE	N/A
MINIMUM PRESSURE	N/A
MAXIMUM TEMPERATURE (°C)	N/A
MINIMUM TEMPERATURE (°C)	N/A
THREAD PITCH (MM)	N/A
THREAD REACH (MM)	N/A
OPERATING TEMPERATURE (°C)	N/A
BOLT SIZE	M16 X 90 X 30

EXTERNAL MATERIAL	CAST IRON - POWDERCOATED
INTERNAL MATERIAL	CAST IRON - POWDERCOATED
STORAGE REQUIREMENTS	CLEAR & DRY
MSDS REQUIRED	N/A
BOX QUANTITY	EACH

## SPECIAL INSTRUCTIONS

APPROVALS

SUPERVISOR: STORES

HEAD: ASSETS & SUPPLY CHAIN

HEAD: DEPARTMENT

APPROVALS

# STORES STOCK ITEM SPECIFICATION & TECHNICAL DATA SHEET



**BERGRIVIER  
MUNICIPALITY**



ITEM NUMBER

WTR-0003003

SHORT  
DESCRIPTION

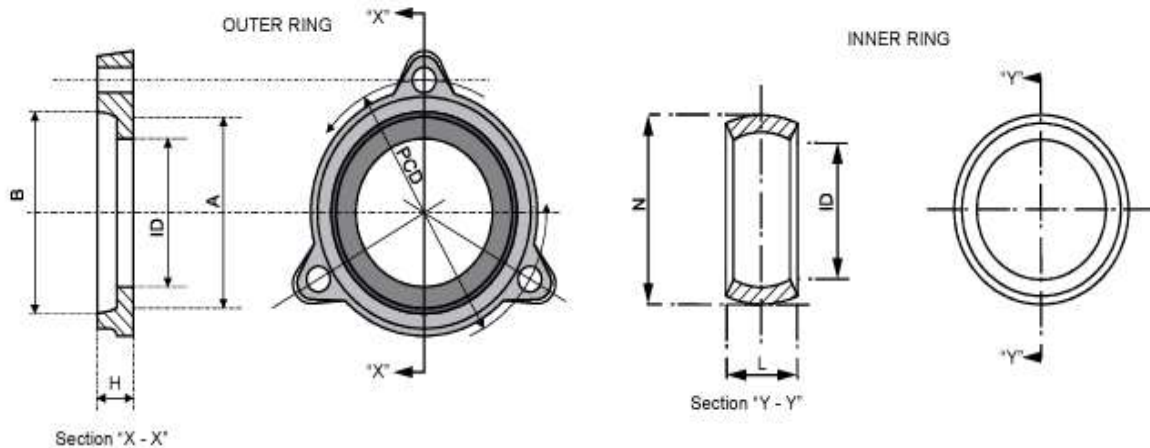
SHORT COLLAR - 100

LONG DETAILED  
DESCRIPTION

SHORT COLLAR - 100

## TECHNICAL DRAWINGS

## TECHNICAL SPECIFICATIONS



OUTER ID SIZE	125
SIZE B (MM) OUTER	147
SIZE N (MM) INNER	144
INNER ID SIZE	125
BRAND	KLINGER/SANSPAR
MANUFACTURER WARRANTY	N/A
MAXIMUM PRESSURE	N/A
MINIMUM PRESSURE	N/A
MAXIMUM TEMPERATURE (°C)	N/A
MINIMUM TEMPERATURE (°C)	N/A
THREAD PITCH (MM)	N/A
THREAD REACH (MM)	N/A
OPERATING TEMPERATURE (°C)	N/A
BOLT SIZE	M16 X 110 X 40

EXTERNAL MATERIAL CAST IRON - POWDERCOATED

INTERNAL MATERIAL CAST IRON - POWDERCOATED

STORAGE REQUIREMENTS CLEAR & DRY

MSDS REQUIRED N/A

BOX QUANTITY EACH

## SPECIAL INSTRUCTIONS

APPROVALS

SUPERVISOR: STORES

HEAD: ASSETS & SUPPLY CHAIN

HEAD: DEPARTMENT

APPROVALS

# STORES STOCK ITEM SPECIFICATION & TECHNICAL DATA SHEET



**BERGRIVIER  
MUNICIPALITY**



ITEM NUMBER

WTR-0003004

SHORT  
DESCRIPTION

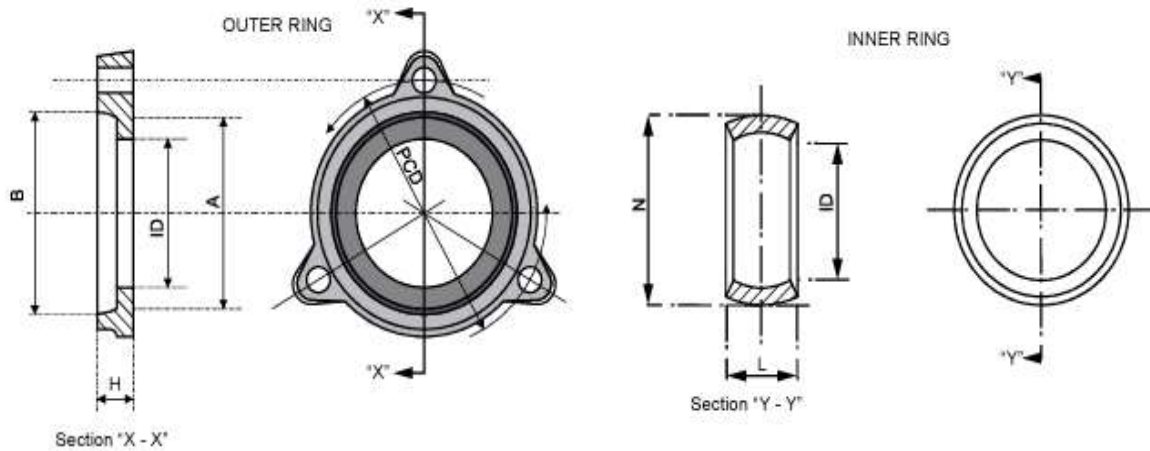
SHORT COLLAR - 125

LONG DETAILED  
DESCRIPTION

SHORT COLLAR - 125

## TECHNICAL DRAWINGS

## TECHNICAL SPECIFICATIONS



OUTER ID SIZE	153
SIZE B (MM) OUTER	177
SIZE N (MM) INNER	175
INNER ID SIZE	154
BRAND	KLINGER/SANSPAR
MANUFACTURER WARRANTY	N/A
MAXIMUM PRESSURE	N/A
MINIMUM PRESSURE	N/A
MAXIMUM TEMPERATURE (°C)	N/A
MINIMUM TEMPERATURE (°C)	N/A
THREAD PITCH (MM)	N/A
THREAD REACH (MM)	N/A
OPERATING TEMPERATURE (°C)	N/A
BOLT SIZE	M16 X 110 X 40

EXTERNAL MATERIAL	CAST IRON - POWDERCOATED
INTERNAL MATERIAL	CAST IRON - POWDERCOATED
STORAGE REQUIREMENTS	CLEAR & DRY
MSDS REQUIRED	N/A
BOX QUANTITY	EACH

## SPECIAL INSTRUCTIONS

APPROVALS

SUPERVISOR: STORES

HEAD: ASSETS & SUPPLY CHAIN

HEAD: DEPARTMENT

APPROVALS

# STORES STOCK ITEM SPECIFICATION & TECHNICAL DATA SHEET



**BERGRIVIER  
MUNICIPALITY**



ITEM NUMBER

WTR-0003005

SHORT  
DESCRIPTION

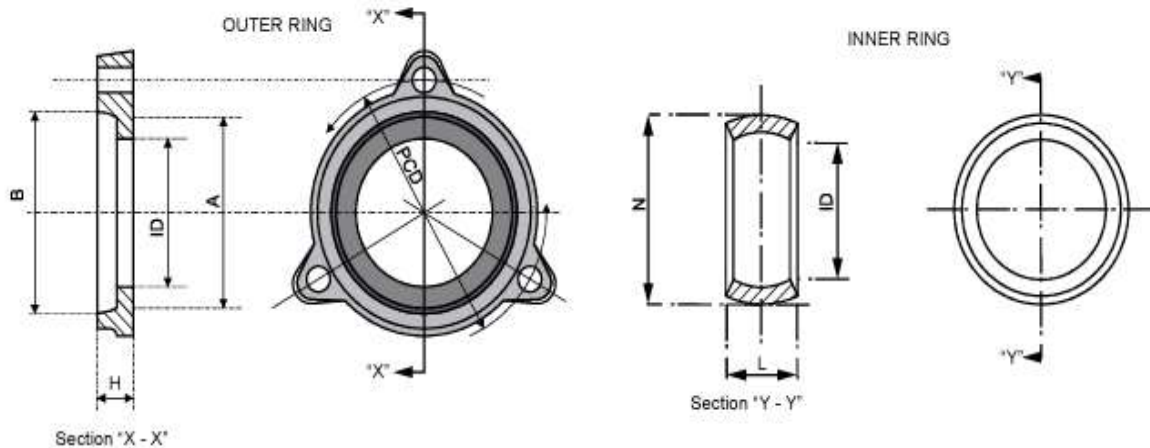
SHORT COLLAR - 150

LONG DETAILED  
DESCRIPTION

SHORT COLLAR - 150

## TECHNICAL DRAWINGS

## TECHNICAL SPECIFICATIONS



OUTER ID SIZE	180
SIZE B (MM) OUTER	215
SIZE N (MM) INNER	207
INNER ID SIZE	180
BRAND	KLINGER/SANSPAR
MANUFACTURER WARRANTY	N/A
MAXIMUM PRESSURE	N/A
MINIMUM PRESSURE	N/A
MAXIMUM TEMPERATURE (°C)	N/A
MINIMUM TEMPERATURE (°C)	N/A
THREAD PITCH (MM)	N/A
THREAD REACH (MM)	N/A
OPERATING TEMPERATURE (°C)	N/A
BOLT SIZE	M16 X 140 X 45

EXTERNAL MATERIAL	CAST IRON - POWDERCOATED
INTERNAL MATERIAL	CAST IRON - POWDERCOATED
STORAGE REQUIREMENTS	CLEAR & DRY
MSDS REQUIRED	N/A
BOX QUANTITY	EACH

## SPECIAL INSTRUCTIONS

APPROVALS

SUPERVISOR: STORES

HEAD: ASSETS & SUPPLY CHAIN

HEAD: DEPARTMENT

APPROVALS

# STORES STOCK ITEM SPECIFICATION & TECHNICAL DATA SHEET



**BERGRIVIER  
MUNICIPALITY**



ITEM NUMBER

WTR-0003006

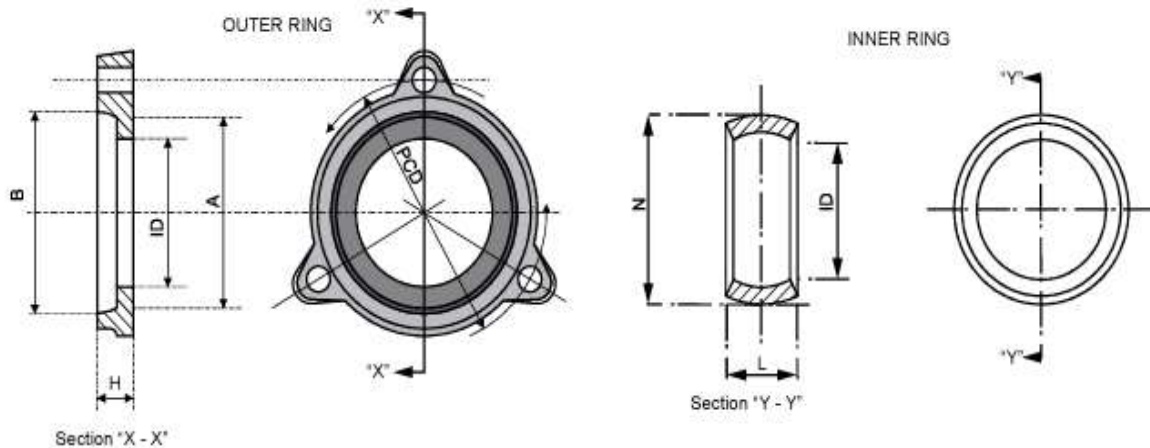
SHORT  
DESCRIPTION

SHORT COLLAR - 200

LONG DETAILED  
DESCRIPTION

SHORT COLLAR - 200

## TECHNICAL DRAWINGS



## TECHNICAL SPECIFICATIONS

OUTER ID SIZE	237
SIZE B (MM) OUTER	265
SIZE N (MM) INNER	237
INNER ID SIZE	261
BRAND	KLINGER/SANSPAR
MANUFACTURER WARRANTY	N/A
MAXIMUM PRESSURE	N/A
MINIMUM PRESSURE	N/A
MAXIMUM TEMPERATURE (°C)	N/A
MINIMUM TEMPERATURE (°C)	N/A
THREAD PITCH (MM)	N/A
THREAD REACH (MM)	N/A
OPERATING TEMPERATURE (°C)	N/A
BOLT SIZE	M16 X 140 X 45

EXTERNAL MATERIAL	CAST IRON - POWDERCOATED
INTERNAL MATERIAL	CAST IRON - POWDERCOATED
STORAGE REQUIREMENTS	CLEAR & DRY
MSDS REQUIRED	N/A
BOX QUANTITY	EACH

## SPECIAL INSTRUCTIONS

APPROVALS

SUPERVISOR: STORES

HEAD: ASSETS & SUPPLY CHAIN

HEAD: DEPARTMENT

APPROVALS



# STORES STOCK ITEM SPECIFICATION & TECHNICAL DATA SHEET



**BERGRIVIER  
MUNICIPALITY**



ITEM NUMBER

WTR-0003007

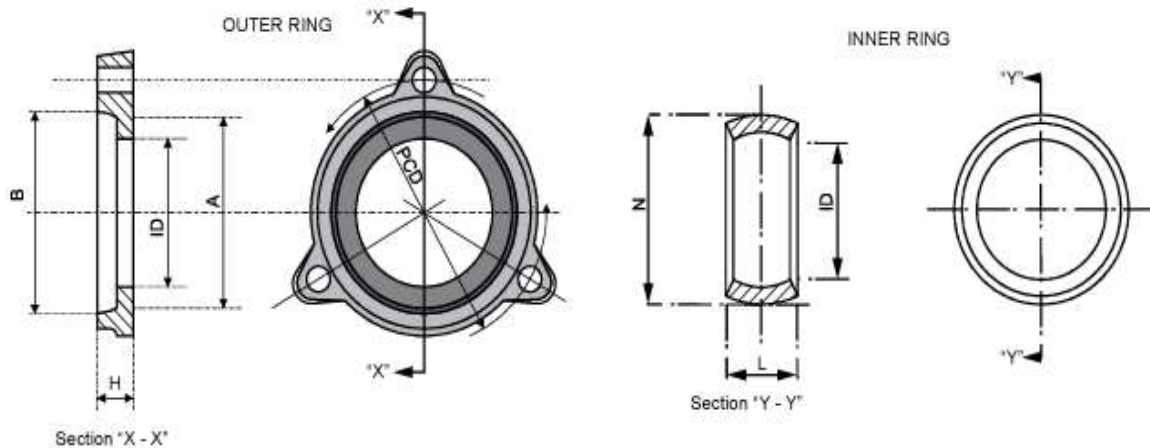
SHORT  
DESCRIPTION

SHORT COLLAR - 300

LONG DETAILED  
DESCRIPTION

SHORT COLLAR - 300

## TECHNICAL DRAWINGS



## TECHNICAL SPECIFICATIONS

OUTER ID SIZE	350
SIZE B (MM) OUTER	384
SIZE N (MM) INNER	379
INNER ID SIZE	351
BRAND	KLINGER/SANSPAR
MANUFACTURER WARRANTY	N/A
MAXIMUM PRESSURE	N/A
MINIMUM PRESSURE	N/A
MAXIMUM TEMPERATURE (°C)	N/A
MINIMUM TEMPERATURE (°C)	N/A
THREAD PITCH (MM)	N/A
THREAD REACH (MM)	N/A
OPERATING TEMPERATURE (°C)	N/A
BOLT SIZE	M16 X 165 X 45

EXTERNAL MATERIAL	CAST IRON - POWDERCOATED
INTERNAL MATERIAL	CAST IRON - POWDERCOATED
STORAGE REQUIREMENTS	CLEAR & DRY
MSDS REQUIRED	N/A
BOX QUANTITY	EACH

## SPECIAL INSTRUCTIONS

APPROVALS

SUPERVISOR: STORES

HEAD: ASSETS & SUPPLY CHAIN

HEAD: DEPARTMENT

APPROVALS

# STORES STOCK ITEM SPECIFICATION & TECHNICAL DATA SHEET



**BERGRIVIER  
MUNICIPALITY**



ITEM NUMBER

WTR-0004001

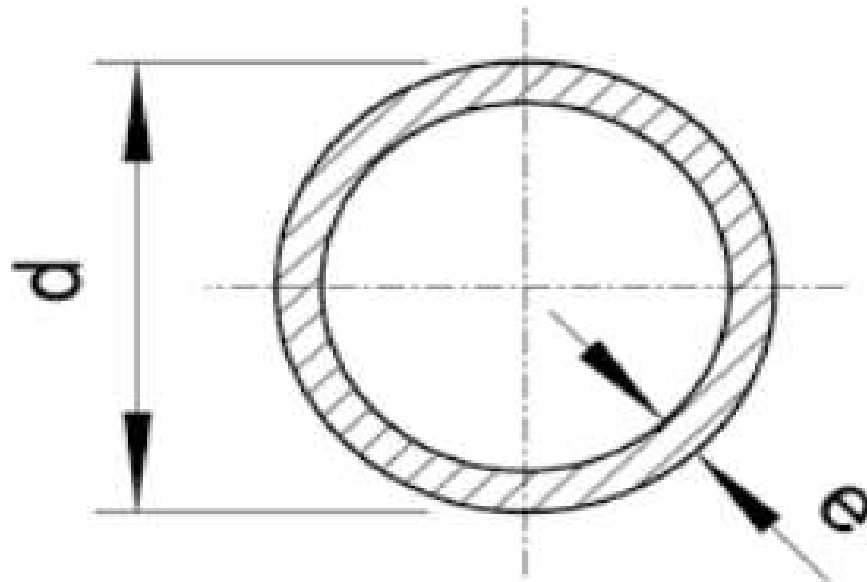
SHORT  
DESCRIPTION

UPVC CLASS 9 PIPE - 50MM

LONG DETAILED  
DESCRIPTION

UNPLASTICIZED POLYVINYL CHLORIDE CLASS 12 PIPE - 50MM

## TECHNICAL DRAWINGS



## TECHNICAL SPECIFICATIONS

SIZE A (MM)	50MM
SIZE B (MM)	N/A
SIZE C (MM)	N/A
SIZE D	N/A
BRAND	N/A
MANUFACTURER WARRANTY	N/A
MAXIMUM PRESSURE	N/A
MINIMUM PRESSURE	N/A
MAXIMUM TEMPERATURE (°C)	N/A
MINIMUM TEMPERATURE (°C)	N/A
THREAD PITCH (MM)	N/A
THREAD REACH (MM)	N/A
OPERATING TEMPERATURE (°C)	N/A

EXTERNAL MATERIAL	UPVC
INTERNAL MATERIAL	UPVC
STORAGE REQUIREMENTS	CLEAN & DRY
MSDS REQUIRED	N/A
BOX QUANTITY	EACH

## SPECIAL INSTRUCTIONS

APPROVALS

SUPERVISOR: STORES

HEAD: ASSETS & SUPPLY CHAIN

HEAD: DEPARTMENT

APPROVALS



# STORES STOCK ITEM SPECIFICATION & TECHNICAL DATA SHEET



**BERGRIVIER  
MUNICIPALITY**



ITEM NUMBER

WTR-0004002

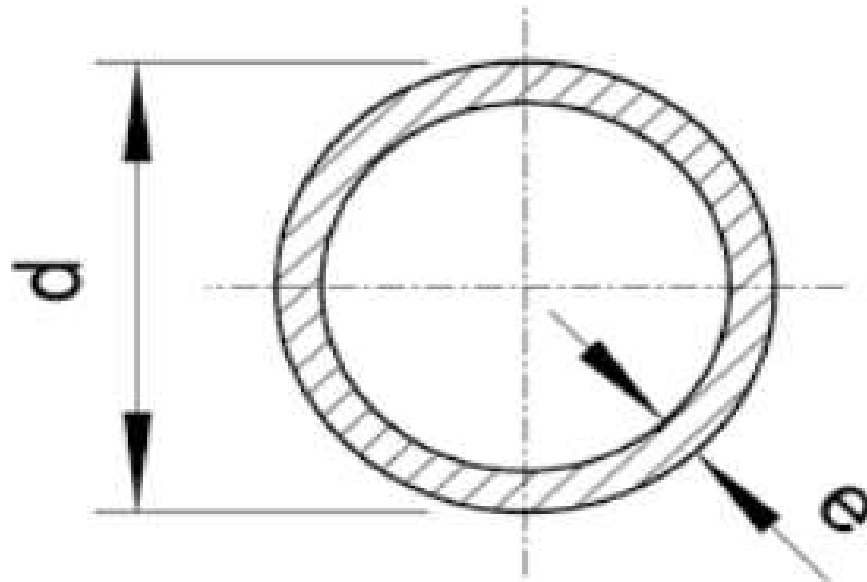
SHORT  
DESCRIPTION

UPVC CLASS 9 PIPE - 63MM

LONG DETAILED  
DESCRIPTION

UNPLASTICIZED POLYVINYL CHLORIDE CLASS 12 PIPE - 63MM

## TECHNICAL DRAWINGS



## TECHNICAL SPECIFICATIONS

SIZE A (MM)	63MM
SIZE B (MM)	N/A
SIZE C (MM)	N/A
SIZE D	N/A
BRAND	N/A
MANUFACTURER WARRANTY	N/A
MAXIMUM PRESSURE	N/A
MINIMUM PRESSURE	N/A
MAXIMUM TEMPERATURE (°C)	N/A
MINIMUM TEMPERATURE (°C)	N/A
THREAD PITCH (MM)	N/A
THREAD REACH (MM)	N/A
OPERATING TEMPERATURE (°C)	N/A

EXTERNAL MATERIAL	UPVC
INTERNAL MATERIAL	UPVC
STORAGE REQUIREMENTS	CLEAN & DRY
MSDS REQUIRED	N/A
BOX QUANTITY	EACH

## SPECIAL INSTRUCTIONS

APPROVALS

SUPERVISOR: STORES

HEAD: ASSETS & SUPPLY CHAIN

HEAD: DEPARTMENT

APPROVALS

# STORES STOCK ITEM SPECIFICATION & TECHNICAL DATA SHEET

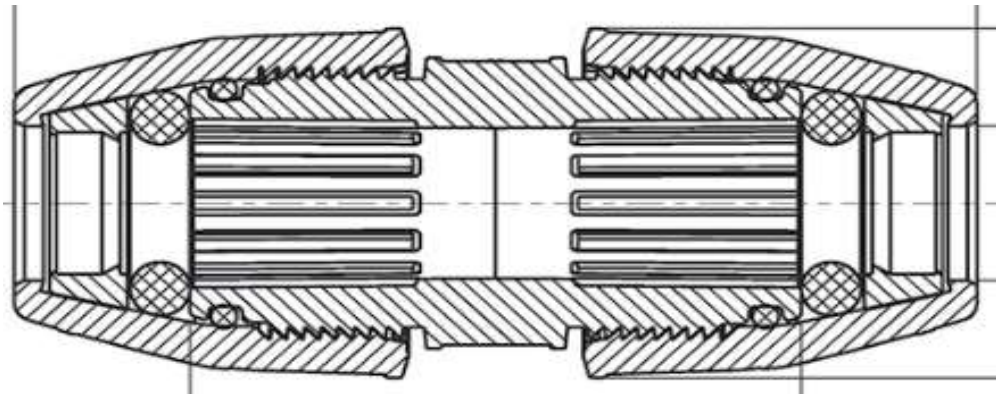


**BERGRIVIER  
MUNICIPALITY**



ITEM NUMBER	WTR-0004003
SHORT DESCRIPTION	HDPE COMP COUPLER CXC - 50MM
LONG DETAILED DESCRIPTION	HIGH-DENSITY POLYTHYLENE COMP COUPLER C X C - 50MM

## TECHNICAL DRAWINGS



## TECHNICAL SPECIFICATIONS

SIZE A (MM)	50MM
SIZE B (MM)	N/A
SIZE C (MM)	N/A
SIZE D	N/A
BRAND	N/A
MANUFACTURER WARRANTY	N/A
MAXIMUM PRESSURE	N/A
MINIMUM PRESSURE	N/A
MAXIMUM TEMPERATURE (°C)	N/A
MINIMUM TEMPERATURE (°C)	N/A
THREAD PITCH (MM)	N/A
THREAD REACH (MM)	N/A
OPERATING TEMPERATURE (°C)	N/A

EXTERNAL MATERIAL	HIGH DENSITY POLYETHYLENE
INTERNAL MATERIAL	HIGH DENSITY POLYETHYLENE
STORAGE REQUIREMENTS	CLEAN & DRY
MSDS REQUIRED	N/A
BOX QUANTITY	EACH

## SPECIAL INSTRUCTIONS

APPROVALS				APPROVALS
	SUPERVISOR: STORES	HEAD: ASSETS & SUPPLY CHAIN	HEAD: DEPARTMENT	

# STORES STOCK ITEM SPECIFICATION & TECHNICAL DATA SHEET



**BERGRIVIER  
MUNICIPALITY**



ITEM NUMBER

WTR-0004004

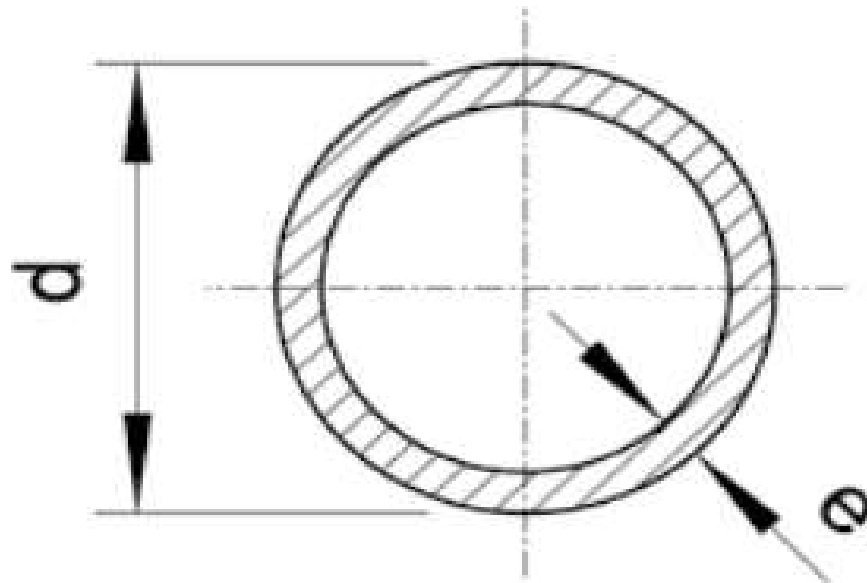
SHORT  
DESCRIPTION

UPVC CLASS 9 PIPE - 75MM

LONG DETAILED  
DESCRIPTION

UNPLASTICIZED POLYVINYL CHLORIDE CLASS 12 PIPE - 75MM

## TECHNICAL DRAWINGS



## TECHNICAL SPECIFICATIONS

SIZE A (MM)	75MM
SIZE B (MM)	N/A
SIZE C (MM)	N/A
SIZE D	N/A
BRAND	N/A
MANUFACTURER WARRANTY	N/A
MAXIMUM PRESSURE	N/A
MINIMUM PRESSURE	N/A
MAXIMUM TEMPERATURE (°C)	N/A
MINIMUM TEMPERATURE (°C)	N/A
THREAD PITCH (MM)	N/A
THREAD REACH (MM)	N/A
OPERATING TEMPERATURE (°C)	N/A

EXTERNAL MATERIAL	UPVC
INTERNAL MATERIAL	UPVC
STORAGE REQUIREMENTS	CLEAN & DRY
MSDS REQUIRED	N/A
BOX QUANTITY	EACH

## SPECIAL INSTRUCTIONS

APPROVALS

SUPERVISOR: STORES

HEAD: ASSETS & SUPPLY CHAIN

HEAD: DEPARTMENT

APPROVALS

# STORES STOCK ITEM SPECIFICATION & TECHNICAL DATA SHEET



**BERGRIVIER  
MUNICIPALITY**



ITEM NUMBER

WTR-0004005

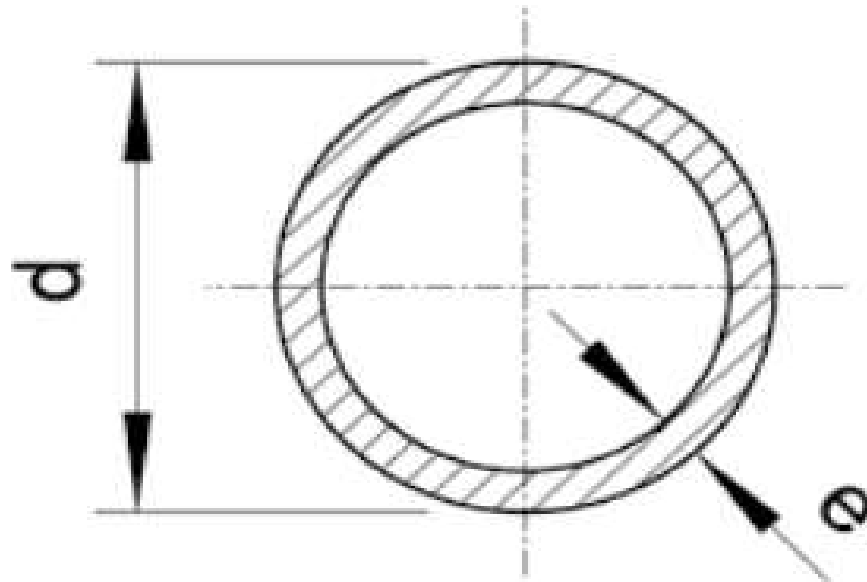
SHORT  
DESCRIPTION

UPVC CLASS 9 PIPE - 90MM

LONG DETAILED  
DESCRIPTION

UNPLASTICIZED POLYVINYL CHLORIDE CLASS 12 PIPE - 90MM

## TECHNICAL DRAWINGS



## TECHNICAL SPECIFICATIONS

SIZE A (MM)	90MM
SIZE B (MM)	N/A
SIZE C (MM)	N/A
SIZE D	N/A
BRAND	N/A
MANUFACTURER WARRANTY	N/A
MAXIMUM PRESSURE	N/A
MINIMUM PRESSURE	N/A
MAXIMUM TEMPERATURE (°C)	N/A
MINIMUM TEMPERATURE (°C)	N/A
THREAD PITCH (MM)	N/A
THREAD REACH (MM)	N/A
OPERATING TEMPERATURE (°C)	N/A

EXTERNAL MATERIAL	UPVC
INTERNAL MATERIAL	UPVC
STORAGE REQUIREMENTS	CLEAN & DRY
MSDS REQUIRED	N/A
BOX QUANTITY	EACH

## SPECIAL INSTRUCTIONS

APPROVALS

SUPERVISOR: STORES

HEAD: ASSETS & SUPPLY CHAIN

HEAD: DEPARTMENT

APPROVALS

# STORES STOCK ITEM SPECIFICATION & TECHNICAL DATA SHEET



**BERGRIVIER  
MUNICIPALITY**



ITEM NUMBER

WTR-0004006

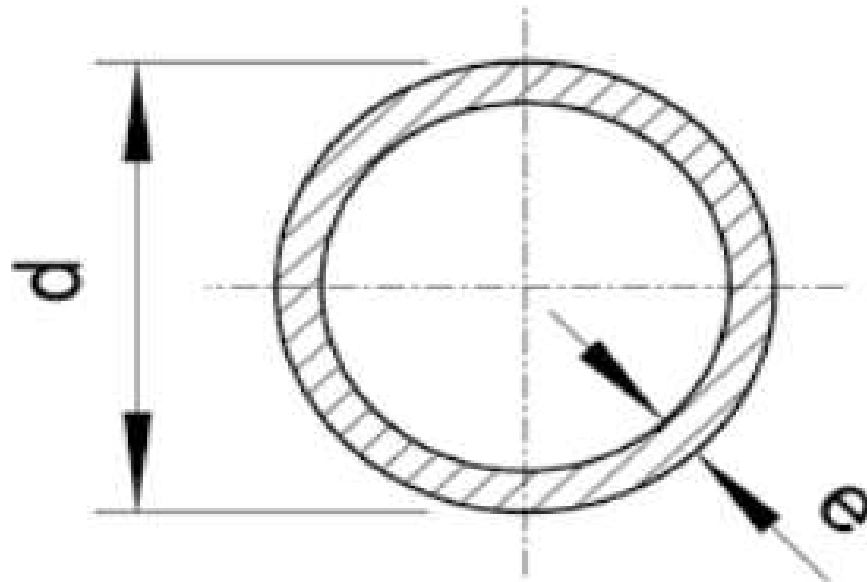
SHORT  
DESCRIPTION

UPVC CLASS 9 PIPE - 110MM

LONG DETAILED  
DESCRIPTION

UNPLASTICIZED POLYVINYL CHLORIDE CLASS 12 PIPE - 110MM

## TECHNICAL DRAWINGS



## TECHNICAL SPECIFICATIONS

SIZE A (MM)	110MM
SIZE B (MM)	N/A
SIZE C (MM)	N/A
SIZE D	N/A
BRAND	N/A
MANUFACTURER WARRANTY	N/A
MAXIMUM PRESSURE	N/A
MINIMUM PRESSURE	N/A
MAXIMUM TEMPERATURE (°C)	N/A
MINIMUM TEMPERATURE (°C)	N/A
THREAD PITCH (MM)	N/A
THREAD REACH (MM)	N/A
OPERATING TEMPERATURE (°C)	N/A

EXTERNAL MATERIAL	UPVC
INTERNAL MATERIAL	UPVC
STORAGE REQUIREMENTS	CLEAN & DRY
MSDS REQUIRED	N/A
BOX QUANTITY	EACH

## SPECIAL INSTRUCTIONS

APPROVALS

SUPERVISOR: STORES

HEAD: ASSETS & SUPPLY CHAIN

HEAD: DEPARTMENT

APPROVALS



# STORES STOCK ITEM SPECIFICATION & TECHNICAL DATA SHEET



**BERGRIVIER  
MUNICIPALITY**



ITEM NUMBER

WTR-0004008

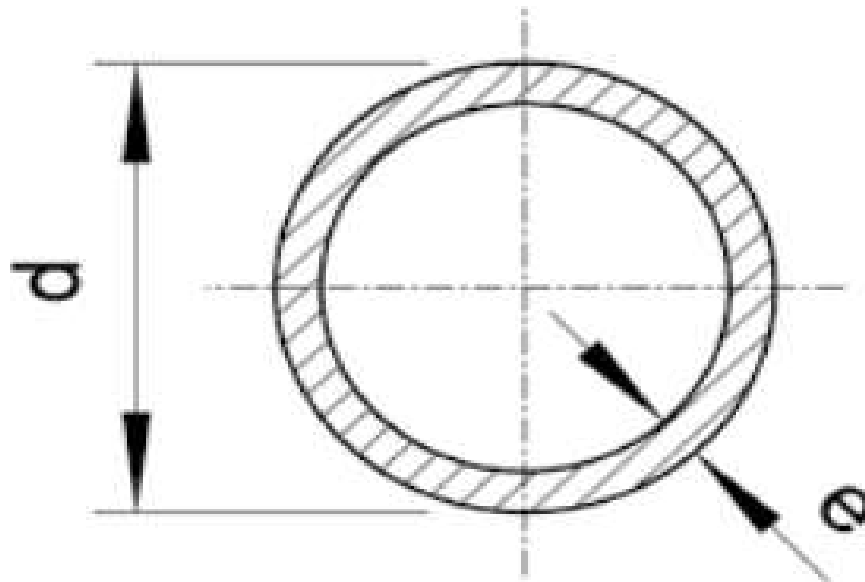
SHORT  
DESCRIPTION

HDPE COMP PIPE CLASS 3 - 20MM

LONG DETAILED  
DESCRIPTION

HIGH-DENSITY POLYTHYLENE COMP PIPE CLASS 3 - 20MM

## TECHNICAL DRAWINGS



## TECHNICAL SPECIFICATIONS

SIZE d (MM)	20MM
SIZE e (MM)	3mm
SIZE C (MM)	N/A
SIZE D	N/A
BRAND	N/A
MANUFACTURER WARRANTY	N/A
MAXIMUM PRESSURE	3 BAR
MINIMUM PRESSURE	0
MAXIMUM TEMPERATURE (°C)	N/A
MINIMUM TEMPERATURE (°C)	N/A
THREAD PITCH (MM)	N/A
THREAD REACH (MM)	N/A
OPERATING TEMPERATURE (°C)	N/A

EXTERNAL MATERIAL HIGH DENSITY POLYETHYLENE

INTERNAL MATERIAL HIGH DENSITY POLYETHYLENE

STORAGE REQUIREMENTS CLEAN & DRY

MSDS REQUIRED N/A

BOX QUANTITY EACH

## SPECIAL INSTRUCTIONS

APPROVALS

SUPERVISOR: STORES

HEAD: ASSETS & SUPPLY CHAIN

HEAD: DEPARTMENT

APPROVALS



# STORES STOCK ITEM SPECIFICATION & TECHNICAL DATA SHEET



**BERGRIVIER  
MUNICIPALITY**



ITEM NUMBER

WTR-0004009

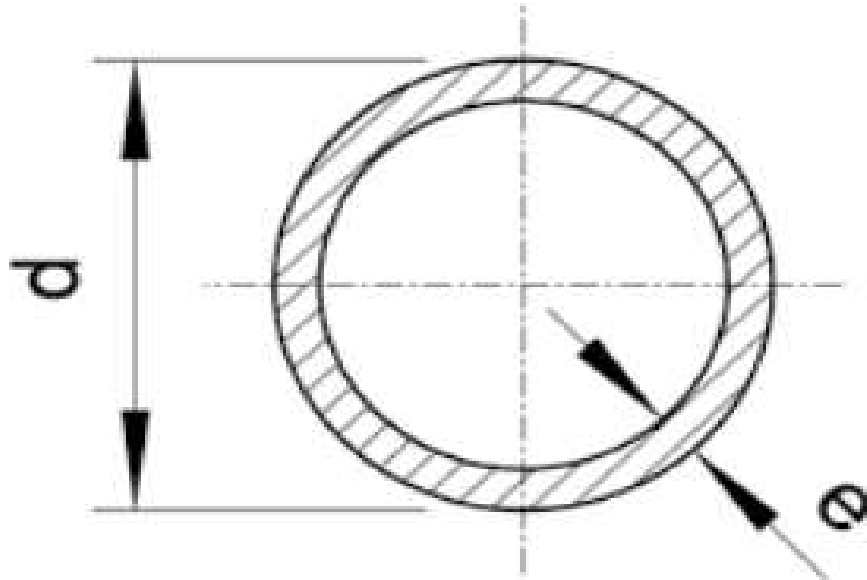
SHORT  
DESCRIPTION

HDPE COMP PIPE CLASS 3 - 25MM

LONG DETAILED  
DESCRIPTION

HDPE COMP PIPE CLASS 3 - 25MM

## TECHNICAL DRAWINGS



## TECHNICAL SPECIFICATIONS

SIZE A (MM)	25MM
SIZE B (MM)	N/A
SIZE C (MM)	N/A
SIZE D	N/A
BRAND	N/A
MANUFACTURER WARRANTY	N/A
MAXIMUM PRESSURE	N/A
MINIMUM PRESSURE	N/A
MAXIMUM TEMPERATURE (°C)	N/A
MINIMUM TEMPERATURE (°C)	N/A
THREAD PITCH (MM)	N/A
THREAD REACH (MM)	N/A
OPERATING TEMPERATURE (°C)	N/A

EXTERNAL MATERIAL	HIGH DENSITY POLYETHYLENE
INTERNAL MATERIAL	HIGH DENSITY POLYETHYLENE
STORAGE REQUIREMENTS	CLEAN & DRY
MSDS REQUIRED	N/A
BOX QUANTITY	EACH

## SPECIAL INSTRUCTIONS

APPROVALS

SUPERVISOR: STORES

HEAD: ASSETS & SUPPLY CHAIN

HEAD: DEPARTMENT

APPROVALS

# STORES STOCK ITEM SPECIFICATION & TECHNICAL DATA SHEET



**BERGRIVIER  
MUNICIPALITY**



ITEM NUMBER

WTR-0004010

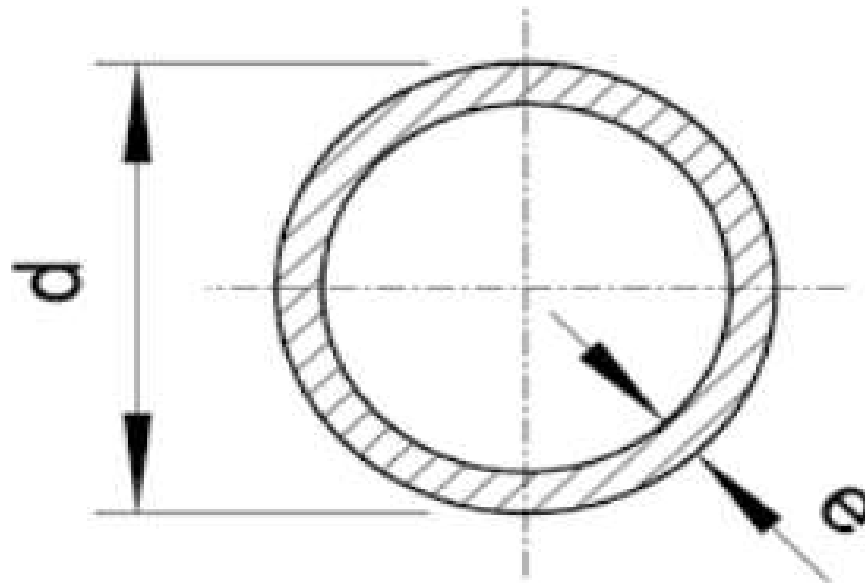
SHORT  
DESCRIPTION

UPVC CLASS 12 ADAPTOR -50MMM

LONG DETAILED  
DESCRIPTION

UNPLASTICIZED POLYVINYL CHLORIDE CLASS 12 ADAPTOR -50MM

## TECHNICAL DRAWINGS



## TECHNICAL SPECIFICATIONS

SIZE A (MM)	50MM
SIZE B (MM)	N/A
SIZE C (MM)	N/A
SIZE D	N/A
BRAND	N/A
MANUFACTURER WARRANTY	N/A
MAXIMUM PRESSURE	N/A
MINIMUM PRESSURE	N/A
MAXIMUM TEMPERATURE (°C)	N/A
MINIMUM TEMPERATURE (°C)	N/A
THREAD PITCH (MM)	N/A
THREAD REACH (MM)	N/A
OPERATING TEMPERATURE (°C)	N/A

EXTERNAL MATERIAL	UPVC
INTERNAL MATERIAL	UPVC
STORAGE REQUIREMENTS	CLEAN & DRY
MSDS REQUIRED	N/A
BOX QUANTITY	EACH

## SPECIAL INSTRUCTIONS

APPROVALS

SUPERVISOR: STORES

HEAD: ASSETS & SUPPLY CHAIN

HEAD: DEPARTMENT

APPROVALS

# STORES STOCK ITEM SPECIFICATION & TECHNICAL DATA SHEET



**BERGRIVIER  
MUNICIPALITY**



ITEM NUMBER

WTR-0004011

SHORT  
DESCRIPTION

HDPE TO COPPER ADAPTOR - 20MM

LONG DETAILED  
DESCRIPTION

HDPE TO COPPER ADAPTOR - 20MM

## TECHNICAL DRAWINGS

## TECHNICAL SPECIFICATIONS

SIZE A (MM)	20MM
SIZE B (MM)	N/A
SIZE C (MM)	N/A
SIZE D	N/A
BRAND	N/A
MANUFACTURER WARRANTY	N/A
MAXIMUM PRESSURE	N/A
MINIMUM PRESSURE	N/A
MAXIMUM TEMPERATURE (°C)	N/A
MINIMUM TEMPERATURE (°C)	N/A
THREAD PITCH (MM)	N/A
THREAD REACH (MM)	N/A
OPERATING TEMPERATURE (°C)	N/A

EXTERNAL MATERIAL

INTERNAL MATERIAL

STORAGE REQUIREMENTS

MSDS REQUIRED

BOX QUANTITY

## SPECIAL INSTRUCTIONS

APPROVALS

SUPERVISOR: STORES

HEAD: ASSETS & SUPPLY CHAIN

HEAD: DEPARTMENT

APPROVALS

# STORES STOCK ITEM SPECIFICATION & TECHNICAL DATA SHEET



**BERGRIVIER  
MUNICIPALITY**



ITEM NUMBER

WTR-0004012

SHORT  
DESCRIPTION

NYLON IRRIGATION BARREL NIPPLE 20MM

LONG DETAILED  
DESCRIPTION

NYLON IRRIGATION BARREL NIPPLE 20MM

## TECHNICAL DRAWINGS

## TECHNICAL SPECIFICATIONS

SIZE A (MM)	20MM
SIZE B (MM)	N/A
SIZE C (MM)	N/A
SIZE D	N/A
BRAND	N/A
MANUFACTURER WARRANTY	N/A
MAXIMUM PRESSURE	N/A
MINIMUM PRESSURE	N/A
MAXIMUM TEMPERATURE (°C)	N/A
MINIMUM TEMPERATURE (°C)	N/A
THREAD PITCH (MM)	N/A
THREAD REACH (MM)	N/A
OPERATING TEMPERATURE (°C)	N/A

EXTERNAL MATERIAL

INTERNAL MATERIAL

STORAGE REQUIREMENTS

MSDS REQUIRED

BOX QUANTITY

## SPECIAL INSTRUCTIONS

APPROVALS

SUPERVISOR: STORES

HEAD: ASSETS & SUPPLY CHAIN

HEAD: DEPARTMENT

APPROVALS

# STORES STOCK ITEM SPECIFICATION & TECHNICAL DATA SHEET



**BERGRIVIER  
MUNICIPALITY**



ITEM NUMBER

WTR-0004013

SHORT  
DESCRIPTION

NYLON IRRIGATION ELBOW 20MM

LONG DETAILED  
DESCRIPTION

NYLON IRRIGATION ELBOW 20MM

## TECHNICAL DRAWINGS

## TECHNICAL SPECIFICATIONS

SIZE A (MM)	20MM
SIZE B (MM)	N/A
SIZE C (MM)	N/A
SIZE D	N/A
BRAND	N/A
MANUFACTURER WARRANTY	N/A
MAXIMUM PRESSURE	N/A
MINIMUM PRESSURE	N/A
MAXIMUM TEMPERATURE (°C)	N/A
MINIMUM TEMPERATURE (°C)	N/A
THREAD PITCH (MM)	N/A
THREAD REACH (MM)	N/A
OPERATING TEMPERATURE (°C)	N/A

EXTERNAL MATERIAL

INTERNAL MATERIAL

STORAGE REQUIREMENTS

MSDS REQUIRED

BOX QUANTITY

## SPECIAL INSTRUCTIONS

APPROVALS

SUPERVISOR: STORES

HEAD: ASSETS & SUPPLY CHAIN

HEAD: DEPARTMENT

APPROVALS

# STORES STOCK ITEM SPECIFICATION & TECHNICAL DATA SHEET



**BERGRIVIER  
MUNICIPALITY**



ITEM NUMBER

WTR-0004014

SHORT  
DESCRIPTION

NYLON IRRIGATION REDUCER NIPPLE 15MMX22MM

LONG DETAILED  
DESCRIPTION

NYLON IRRIGATION REDUCER NIPPLE 15MMX22MM

## TECHNICAL DRAWINGS

## TECHNICAL SPECIFICATIONS

SIZE A (MM)	15MM
SIZE B (MM)	22MM
SIZE C (MM)	N/A
SIZE D	N/A
BRAND	N/A
MANUFACTURER WARRANTY	N/A
MAXIMUM PRESSURE	N/A
MINIMUM PRESSURE	N/A
MAXIMUM TEMPERATURE (°C)	N/A
MINIMUM TEMPERATURE (°C)	N/A
THREAD PITCH (MM)	N/A
THREAD REACH (MM)	N/A
OPERATING TEMPERATURE (°C)	N/A
	N/A

EXTERNAL MATERIAL

INTERNAL MATERIAL

STORAGE REQUIREMENTS

MSDS REQUIRED

BOX QUANTITY

## SPECIAL INSTRUCTIONS

APPROVALS

SUPERVISOR: STORES

HEAD: ASSETS & SUPPLY CHAIN

HEAD: DEPARTMENT

APPROVALS

# STORES STOCK ITEM SPECIFICATION & TECHNICAL DATA SHEET



**BERGRIVIER  
MUNICIPALITY**



ITEM NUMBER

WTR-0004015

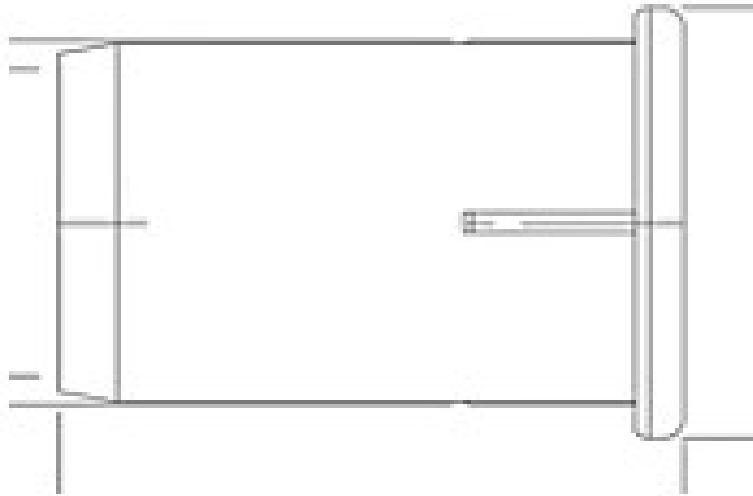
SHORT  
DESCRIPTION

INSERT PEX PIPE 15MM

LONG DETAILED  
DESCRIPTION

INSERT PEX PIPE 15MM

## TECHNICAL DRAWINGS



## TECHNICAL SPECIFICATIONS

SIZE A (MM)	15MM
SIZE B (MM)	N/A
SIZE C (MM)	N/A
SIZE D	N/A
BRAND	N/A
MANUFACTURER WARRANTY	N/A
MAXIMUM PRESSURE	N/A
MINIMUM PRESSURE	N/A
MAXIMUM TEMPERATURE (°C)	N/A
MINIMUM TEMPERATURE (°C)	N/A
THREAD PITCH (MM)	N/A
THREAD REACH (MM)	N/A
OPERATING TEMPERATURE (°C)	N/A

EXTERNAL MATERIAL

INTERNAL MATERIAL

STORAGE REQUIREMENTS

MSDS REQUIRED

BOX QUANTITY

SPECIAL INSTRUCTIONS

APPROVALS

SUPERVISOR: STORES

HEAD: ASSETS & SUPPLY CHAIN

HEAD: DEPARTMENT

APPROVALS



# STORES STOCK ITEM SPECIFICATION & TECHNICAL DATA SHEET



**BERGRIVIER  
MUNICIPALITY**



ITEM NUMBER

WTR-0004016

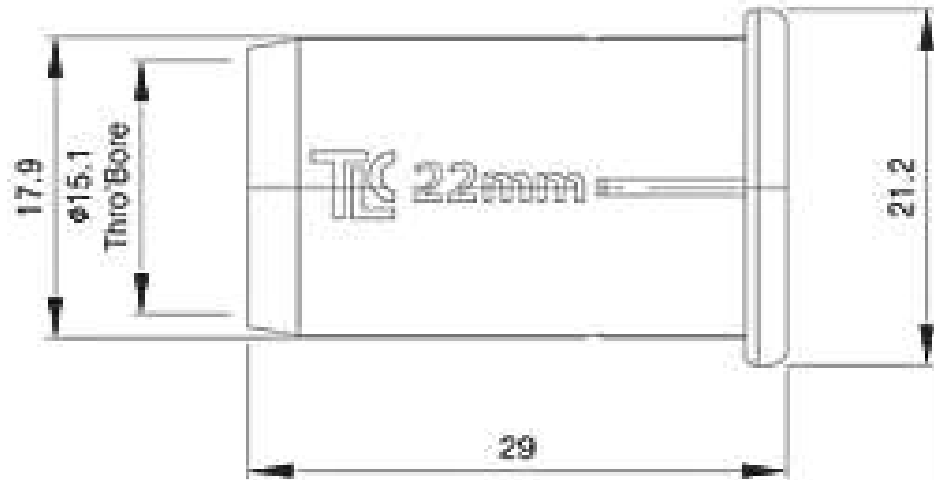
SHORT  
DESCRIPTION

INSERT PEX PIPE 22MM

LONG DETAILED  
DESCRIPTION

INSERT PEX PIPE 22MM

## TECHNICAL DRAWINGS



## TECHNICAL SPECIFICATIONS

SIZE A (MM)	22MM
SIZE B (MM)	N/A
SIZE C (MM)	N/A
SIZE D	N/A
BRAND	N/A
MANUFACTURER WARRANTY	N/A
MAXIMUM PRESSURE	N/A
MINIMUM PRESSURE	N/A
MAXIMUM TEMPERATURE (°C)	N/A
MINIMUM TEMPERATURE (°C)	N/A
THREAD PITCH (MM)	N/A
THREAD REACH (MM)	N/A
OPERATING TEMPERATURE (°C)	N/A

EXTERNAL MATERIAL

INTERNAL MATERIAL

STORAGE REQUIREMENTS

MSDS REQUIRED

BOX QUANTITY

SPECIAL INSTRUCTIONS

APPROVALS

SUPERVISOR: STORES

HEAD: ASSETS & SUPPLY CHAIN

HEAD: DEPARTMENT

APPROVALS

# STORES STOCK ITEM SPECIFICATION & TECHNICAL DATA SHEET



**BERGRIVIER  
MUNICIPALITY**



ITEM NUMBER

WTR-0004017

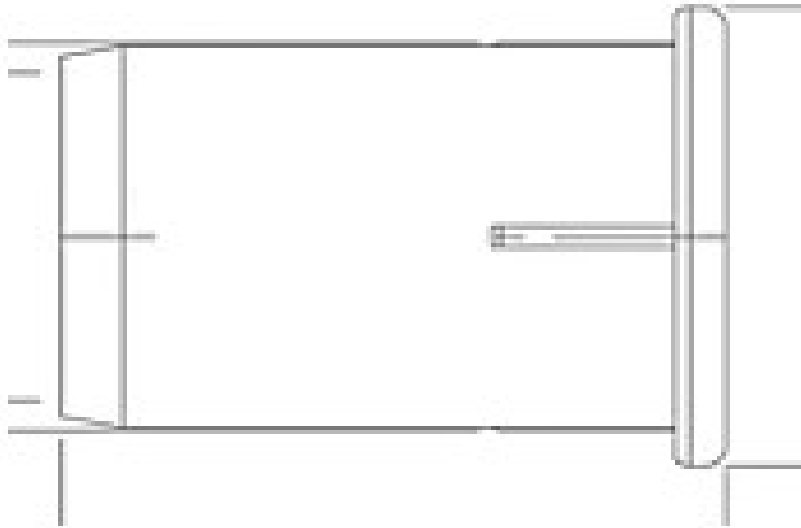
SHORT  
DESCRIPTION

INSERT PEX PIPE 28MM

LONG DETAILED  
DESCRIPTION

INSERT PEX PIPE 28MM

## TECHNICAL DRAWINGS



## TECHNICAL SPECIFICATIONS

SIZE A (MM)	28MM
SIZE B (MM)	N/A
SIZE C (MM)	N/A
SIZE D	N/A
BRAND	N/A
MANUFACTURER WARRANTY	N/A
MAXIMUM PRESSURE	N/A
MINIMUM PRESSURE	N/A
MAXIMUM TEMPERATURE (°C)	N/A
MINIMUM TEMPERATURE (°C)	N/A
THREAD PITCH (MM)	N/A
THREAD REACH (MM)	N/A
OPERATING TEMPERATURE (°C)	N/A

EXTERNAL MATERIAL

INTERNAL MATERIAL

STORAGE REQUIREMENTS

MSDS REQUIRED

BOX QUANTITY

SPECIAL INSTRUCTIONS

APPROVALS

SUPERVISOR: STORES

HEAD: ASSETS & SUPPLY CHAIN

HEAD: DEPARTMENT

APPROVALS

# STORES STOCK ITEM SPECIFICATION & TECHNICAL DATA SHEET



**BERGRIVIER  
MUNICIPALITY**



ITEM NUMBER

WTR-0004018

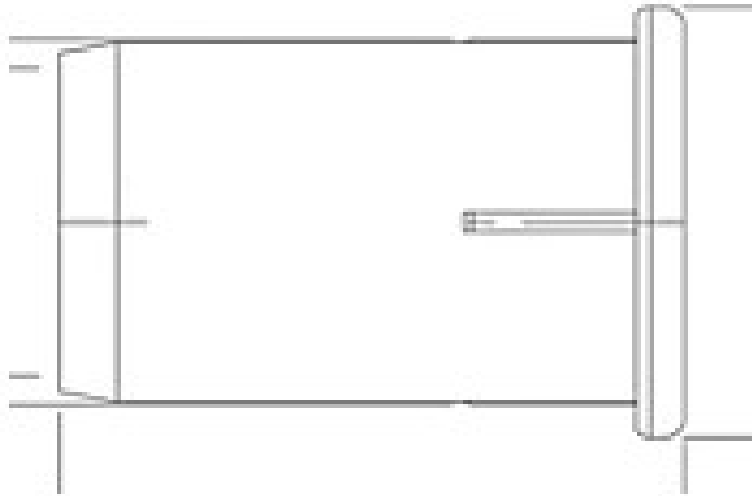
SHORT  
DESCRIPTION

INSERT PEX PIPE 42MM

LONG DETAILED  
DESCRIPTION

INSERT PEX PIPE 42MM

## TECHNICAL DRAWINGS



## TECHNICAL SPECIFICATIONS

SIZE A (MM)	42MM
SIZE B (MM)	N/A
SIZE C (MM)	N/A
SIZE D	N/A
BRAND	N/A
MANUFACTURER WARRANTY	N/A
MAXIMUM PRESSURE	N/A
MINIMUM PRESSURE	N/A
MAXIMUM TEMPERATURE (°C)	N/A
MINIMUM TEMPERATURE (°C)	N/A
THREAD PITCH (MM)	N/A
THREAD REACH (MM)	N/A
OPERATING TEMPERATURE (°C)	N/A

EXTERNAL MATERIAL

INTERNAL MATERIAL

STORAGE REQUIREMENTS

MSDS REQUIRED

BOX QUANTITY

SPECIAL INSTRUCTIONS

APPROVALS

SUPERVISOR: STORES

HEAD: ASSETS & SUPPLY CHAIN

HEAD: DEPARTMENT

APPROVALS

# STORES STOCK ITEM SPECIFICATION & TECHNICAL DATA SHEET

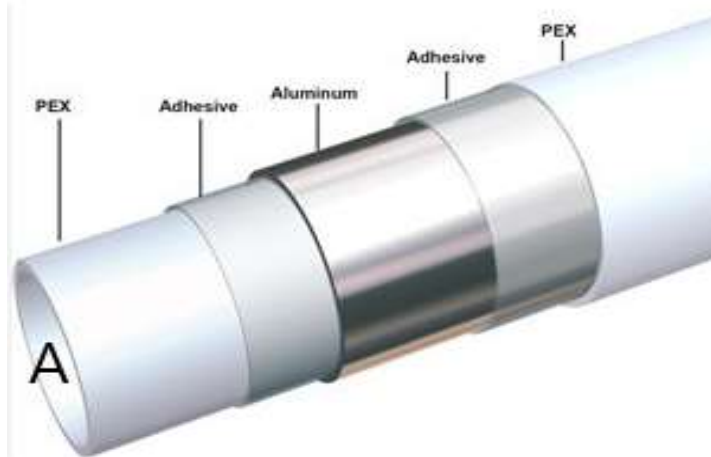


**BERGRIVIER  
MUNICIPALITY**



ITEM NUMBER	WTR-0004019
SHORT DESCRIPTION	PEX PIPE WHITE - 15MM
LONG DETAILED DESCRIPTION	PEX PIPE WHITE - 15MM

## TECHNICAL DRAWINGS



## TECHNICAL SPECIFICATIONS

SIZE A (MM)	15MM
SIZE B (MM)	N/A
SIZE C (MM)	N/A
SIZE D	N/A
BRAND	N/A
MANUFACTURER WARRANTY	N/A
MAXIMUM PRESSURE	N/A
MINIMUM PRESSURE	N/A
MAXIMUM TEMPERATURE (°C)	N/A
MINIMUM TEMPERATURE (°C)	N/A
THREAD PITCH (MM)	N/A
THREAD REACH (MM)	N/A
OPERATING TEMPERATURE (°C)	N/A

EXTERNAL MATERIAL	
INTERNAL MATERIAL	
STORAGE REQUIREMENTS	
MSDS REQUIRED	
BOX QUANTITY	

## SPECIAL INSTRUCTIONS

APPROVALS				APPROVALS
	SUPERVISOR: STORES	HEAD: ASSETS & SUPPLY CHAIN	HEAD: DEPARTMENT	

# STORES STOCK ITEM SPECIFICATION & TECHNICAL DATA SHEET



**BERGRIVIER  
MUNICIPALITY**



ITEM NUMBER	WTR-0004020
SHORT DESCRIPTION	PEX PIPE WHITE - 22MM
LONG DETAILED DESCRIPTION	PEX PIPE WHITE - 22MM

## TECHNICAL DRAWINGS



## TECHNICAL SPECIFICATIONS

SIZE A (MM)	22MM
SIZE B (MM)	N/A
SIZE C (MM)	N/A
SIZE D	N/A
BRAND	N/A
MANUFACTURER WARRANTY	N/A
MAXIMUM PRESSURE	N/A
MINIMUM PRESSURE	N/A
MAXIMUM TEMPERATURE (°C)	N/A
MINIMUM TEMPERATURE (°C)	N/A
THREAD PITCH (MM)	N/A
THREAD REACH (MM)	N/A
OPERATING TEMPERATURE (°C)	N/A

EXTERNAL MATERIAL	
INTERNAL MATERIAL	
STORAGE REQUIREMENTS	
MSDS REQUIRED	
BOX QUANTITY	

## SPECIAL INSTRUCTIONS

APPROVALS				APPROVALS
	SUPERVISOR: STORES	HEAD: ASSETS & SUPPLY CHAIN	HEAD: DEPARTMENT	

# STORES STOCK ITEM SPECIFICATION & TECHNICAL DATA SHEET

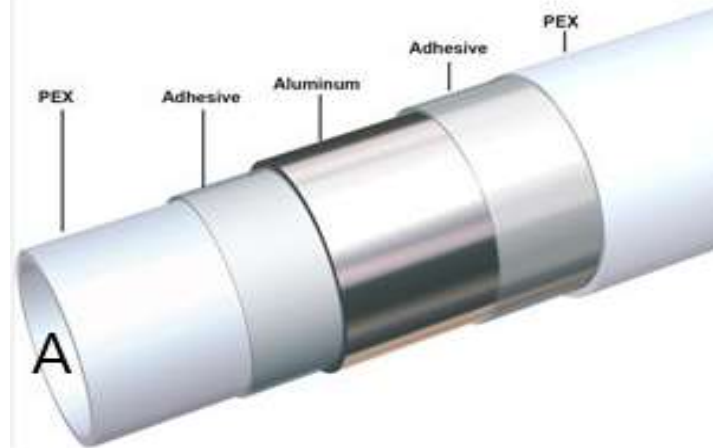


**BERGRIVIER  
MUNICIPALITY**



ITEM NUMBER	WTR-0004021
SHORT DESCRIPTION	PEX PIPE WHITE - 28MM
LONG DETAILED DESCRIPTION	PEX PIPE WHITE - 28MM

## TECHNICAL DRAWINGS



## TECHNICAL SPECIFICATIONS

SIZE A (MM)	28MM
SIZE B (MM)	N/A
SIZE C (MM)	N/A
SIZE D	N/A
BRAND	N/A
MANUFACTURER WARRANTY	N/A
MAXIMUM PRESSURE	N/A
MINIMUM PRESSURE	N/A
MAXIMUM TEMPERATURE (°C)	N/A
MINIMUM TEMPERATURE (°C)	N/A
THREAD PITCH (MM)	N/A
THREAD REACH (MM)	N/A
OPERATING TEMPERATURE (°C)	N/A

EXTERNAL MATERIAL	
INTERNAL MATERIAL	
STORAGE REQUIREMENTS	
MSDS REQUIRED	
BOX QUANTITY	

## SPECIAL INSTRUCTIONS

APPROVALS				APPROVALS
	SUPERVISOR: STORES	HEAD: ASSETS & SUPPLY CHAIN	HEAD: DEPARTMENT	

# STORES STOCK ITEM SPECIFICATION & TECHNICAL DATA SHEET



**BERGRIVIER  
MUNICIPALITY**



ITEM NUMBER	WTR-0004022
SHORT DESCRIPTION	PEX PIPE WHITE - 42MM
LONG DETAILED DESCRIPTION	PEX PIPE WHITE - 42MM

## TECHNICAL DRAWINGS



## TECHNICAL SPECIFICATIONS

SIZE A (MM)	42MM
SIZE B (MM)	N/A
SIZE C (MM)	N/A
SIZE D	N/A
BRAND	N/A
MANUFACTURER WARRANTY	N/A
MAXIMUM PRESSURE	N/A
MINIMUM PRESSURE	N/A
MAXIMUM TEMPERATURE (°C)	N/A
MINIMUM TEMPERATURE (°C)	N/A
THREAD PITCH (MM)	N/A
THREAD REACH (MM)	N/A
OPERATING TEMPERATURE (°C)	N/A

EXTERNAL MATERIAL	
INTERNAL MATERIAL	
STORAGE REQUIREMENTS	
MSDS REQUIRED	
BOX QUANTITY	

## SPECIAL INSTRUCTIONS

APPROVALS

SUPERVISOR: STORES

HEAD: ASSETS & SUPPLY CHAIN

HEAD: DEPARTMENT

APPROVALS



# STORES STOCK ITEM SPECIFICATION & TECHNICAL DATA SHEET



**BERGRIVIER  
MUNICIPALITY**



ITEM NUMBER

WTR-0004023

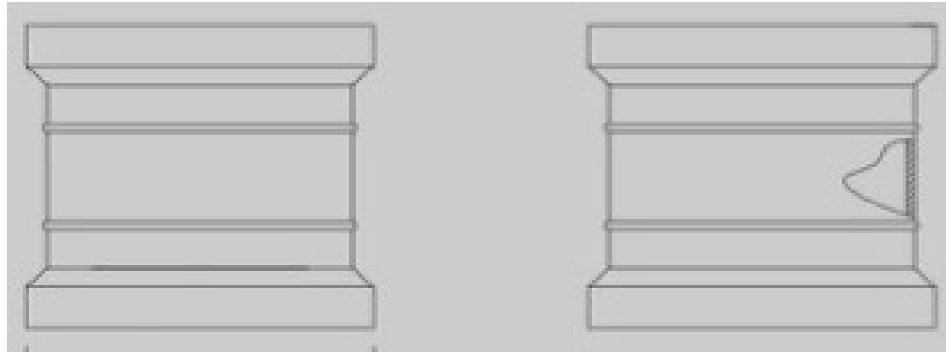
SHORT  
DESCRIPTION

KIMBERLEY SOCKET (UPVC Adaptor) - 110MM

LONG DETAILED  
DESCRIPTION

KIMBERLEY SOCKET (UPVC Adaptor) - 110MM

## TECHNICAL DRAWINGS



## TECHNICAL SPECIFICATIONS

SIZE A (MM)	110MM
SIZE B (MM)	N/A
SIZE C (MM)	N/A
SIZE D	N/A
BRAND	N/A
MANUFACTURER WARRANTY	N/A
MAXIMUM PRESSURE	N/A
MINIMUM PRESSURE	N/A
MAXIMUM TEMPERATURE (°C)	N/A
MINIMUM TEMPERATURE (°C)	N/A
THREAD PITCH (MM)	N/A
THREAD REACH (MM)	N/A
OPERATING TEMPERATURE (°C)	N/A

EXTERNAL MATERIAL

INTERNAL MATERIAL

STORAGE REQUIREMENTS

MSDS REQUIRED

BOX QUANTITY

SPECIAL INSTRUCTIONS

APPROVALS

SUPERVISOR: STORES

HEAD: ASSETS & SUPPLY CHAIN

HEAD: DEPARTMENT

APPROVALS

# STORES STOCK ITEM SPECIFICATION & TECHNICAL DATA SHEET



**BERGRIVIER  
MUNICIPALITY**



ITEM NUMBER

WTR-0004024

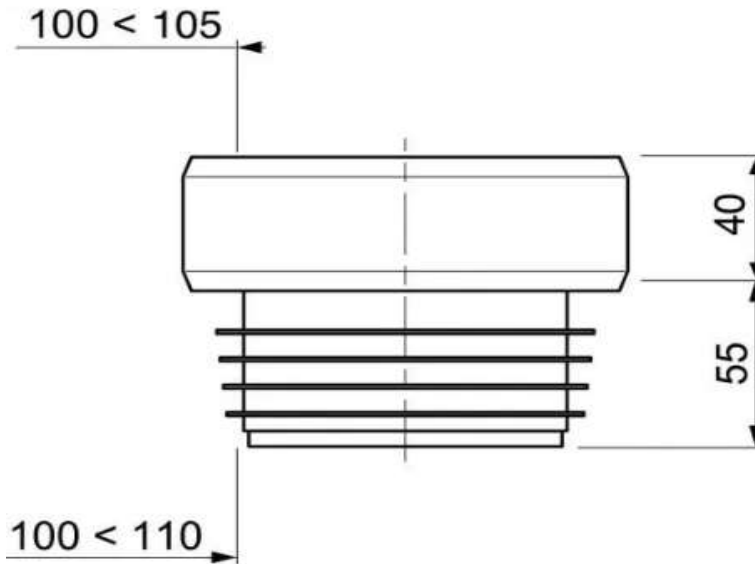
SHORT  
DESCRIPTION

PAN CONNECTOR 110MM

LONG DETAILED  
DESCRIPTION

PAN CONNECTOR 110MM

## TECHNICAL DRAWINGS



## TECHNICAL SPECIFICATIONS

SIZE A (MM)	110MM
SIZE B (MM)	N/A
SIZE C (MM)	N/A
SIZE D	N/A
BRAND	N/A
MANUFACTURER WARRANTY	N/A
MAXIMUM PRESSURE	N/A
MINIMUM PRESSURE	N/A
MAXIMUM TEMPERATURE (°C)	N/A
MINIMUM TEMPERATURE (°C)	N/A
THREAD PITCH (MM)	N/A
THREAD REACH (MM)	N/A
OPERATING TEMPERATURE (°C)	N/A

EXTERNAL MATERIAL

INTERNAL MATERIAL

STORAGE REQUIREMENTS

MSDS REQUIRED

BOX QUANTITY

SPECIAL INSTRUCTIONS

APPROVALS

SUPERVISOR: STORES

HEAD: ASSETS & SUPPLY CHAIN

HEAD: DEPARTMENT

APPROVALS

# STORES STOCK ITEM SPECIFICATION & TECHNICAL DATA SHEET



**BERGRIVIER  
MUNICIPALITY**



ITEM NUMBER

WTR-0004025

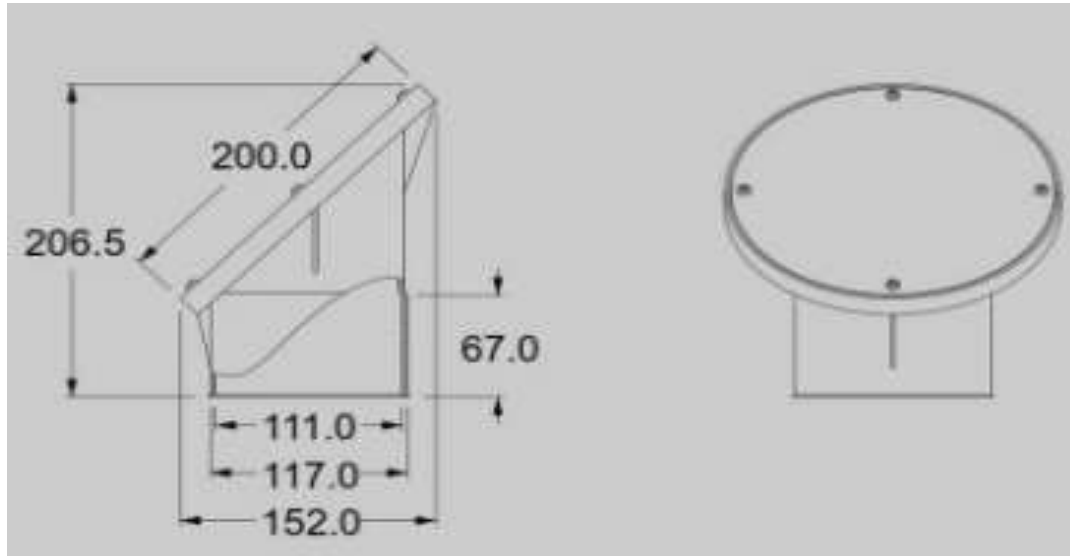
SHORT  
DESCRIPTION

RODDING EYE 110MM - 145MM

LONG DETAILED  
DESCRIPTION

RODDING EYE 110MM - 145MM

## TECHNICAL DRAWINGS



## TECHNICAL SPECIFICATIONS

SIZE A (MM)	110MM
SIZE B (MM)	145MM
SIZE C (MM)	N/A
SIZE D	N/A
BRAND	N/A
MANUFACTURER WARRANTY	N/A
MAXIMUM PRESSURE	N/A
MINIMUM PRESSURE	N/A
MAXIMUM TEMPERATURE (°C)	N/A
MINIMUM TEMPERATURE (°C)	N/A
THREAD PITCH (MM)	N/A
THREAD REACH (MM)	N/A
OPERATING TEMPERATURE (°C)	N/A

EXTERNAL MATERIAL

INTERNAL MATERIAL

STORAGE REQUIREMENTS

MSDS REQUIRED

BOX QUANTITY

SPECIAL INSTRUCTIONS

APPROVALS

SUPERVISOR: STORES

HEAD: ASSETS & SUPPLY CHAIN

HEAD: DEPARTMENT

APPROVALS

# STORES STOCK ITEM SPECIFICATION & TECHNICAL DATA SHEET



**BERGRIVIER  
MUNICIPALITY**



ITEM NUMBER

WTR-0004026

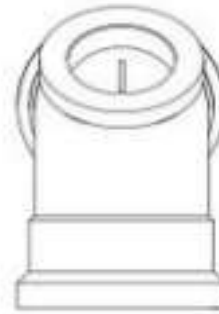
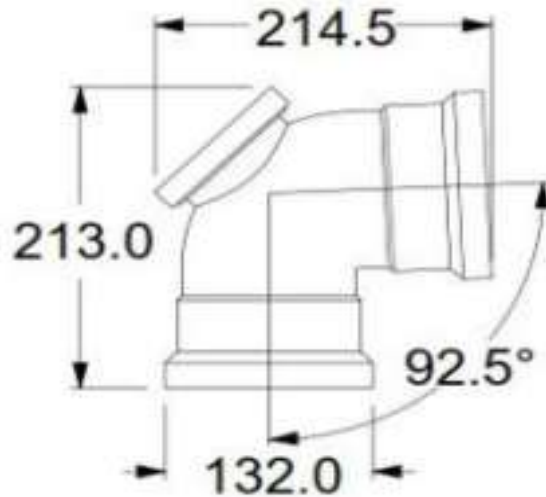
SHORT  
DESCRIPTION

VENT BEND 110MM

LONG DETAILED  
DESCRIPTION

VENT BEND 110MM

## TECHNICAL DRAWINGS



## TECHNICAL SPECIFICATIONS

SIZE A (MM)	110MM
SIZE B (MM)	N/A
SIZE C (MM)	N/A
SIZE D	N/A
BRAND	N/A
MANUFACTURER WARRANTY	N/A
MAXIMUM PRESSURE	N/A
MINIMUM PRESSURE	N/A
MAXIMUM TEMPERATURE (°C)	N/A
MINIMUM TEMPERATURE (°C)	N/A
THREAD PITCH (MM)	N/A
THREAD REACH (MM)	N/A
OPERATING TEMPERATURE (°C)	N/A

EXTERNAL MATERIAL

INTERNAL MATERIAL

STORAGE REQUIREMENTS

MSDS REQUIRED

BOX QUANTITY

SPECIAL INSTRUCTIONS

APPROVALS

SUPERVISOR: STORES

HEAD: ASSETS & SUPPLY CHAIN

HEAD: DEPARTMENT

APPROVALS

# STORES STOCK ITEM SPECIFICATION & TECHNICAL DATA SHEET



**BERGRIVIER  
MUNICIPALITY**



ITEM NUMBER

WTR-0004027

SHORT  
DESCRIPTION

UPVC CLASS 12 ADAPTOR - 63MM

LONG DETAILED  
DESCRIPTION

UNPLASTICIZED POLYVINYL CHLORIDE CLASS 12 ADAPTOR - 63MM

## TECHNICAL DRAWINGS

## TECHNICAL SPECIFICATIONS

SIZE A (MM)	63MM
SIZE B (MM)	N/A
SIZE C (MM)	N/A
SIZE D	N/A
BRAND	N/A
MANUFACTURER WARRANTY	N/A
MAXIMUM PRESSURE	N/A
MINIMUM PRESSURE	N/A
MAXIMUM TEMPERATURE (°C)	N/A
MINIMUM TEMPERATURE (°C)	N/A
THREAD PITCH (MM)	N/A
THREAD REACH (MM)	N/A
OPERATING TEMPERATURE (°C)	N/A

EXTERNAL MATERIAL UPVC

INTERNAL MATERIAL UPVC

STORAGE REQUIREMENTS CLEAN & DRY

MSDS REQUIRED N/A

BOX QUANTITY EACH

## SPECIAL INSTRUCTIONS

APPROVALS

SUPERVISOR: STORES

HEAD: ASSETS & SUPPLY CHAIN

HEAD: DEPARTMENT

APPROVALS

# STORES STOCK ITEM SPECIFICATION & TECHNICAL DATA SHEET



**BERGRIVIER  
MUNICIPALITY**



ITEM NUMBER

WTR-0004028

SHORT  
DESCRIPTION

UPVC CLASS 12 ADAPTOR - 75MM

LONG DETAILED  
DESCRIPTION

UNPLASTICIZED POLYVINYL CHLORIDE CLASS 12 ADAPTOR - 75MM

## TECHNICAL DRAWINGS

## TECHNICAL SPECIFICATIONS

SIZE A (MM)	75MM
SIZE B (MM)	N/A
SIZE C (MM)	N/A
SIZE D	N/A
BRAND	N/A
MANUFACTURER WARRANTY	N/A
MAXIMUM PRESSURE	N/A
MINIMUM PRESSURE	N/A
MAXIMUM TEMPERATURE (°C)	N/A
MINIMUM TEMPERATURE (°C)	N/A
THREAD PITCH (MM)	N/A
THREAD REACH (MM)	N/A
OPERATING TEMPERATURE (°C)	N/A

EXTERNAL MATERIAL UPVC

INTERNAL MATERIAL UPVC

STORAGE REQUIREMENTS CLEAN & DRY

MSDS REQUIRED N/A

BOX QUANTITY EACH

## SPECIAL INSTRUCTIONS

APPROVALS

SUPERVISOR: STORES

HEAD: ASSETS & SUPPLY CHAIN

HEAD: DEPARTMENT

APPROVALS

# STORES STOCK ITEM SPECIFICATION & TECHNICAL DATA SHEET



**BERGRIVIER  
MUNICIPALITY**



ITEM NUMBER

WTR-0004029

SHORT  
DESCRIPTION

UPVC CLASS 12 ADAPTOR - 110MM

LONG DETAILED  
DESCRIPTION

UNPLASTICIZED POLYVINYL CHLORIDE CLASS 12 ADAPTOR - 110MM

## TECHNICAL DRAWINGS

## TECHNICAL SPECIFICATIONS

SIZE A (MM)	110MM
SIZE B (MM)	N/A
SIZE C (MM)	N/A
SIZE D	N/A
BRAND	N/A
MANUFACTURER WARRANTY	N/A
MAXIMUM PRESSURE	N/A
MINIMUM PRESSURE	N/A
MAXIMUM TEMPERATURE (°C)	N/A
MINIMUM TEMPERATURE (°C)	N/A
THREAD PITCH (MM)	N/A
THREAD REACH (MM)	N/A
OPERATING TEMPERATURE (°C)	N/A

EXTERNAL MATERIAL UPVC

INTERNAL MATERIAL UPVC

STORAGE REQUIREMENTS CLEAN & DRY

MSDS REQUIRED N/A

BOX QUANTITY EACH

## SPECIAL INSTRUCTIONS

APPROVALS

SUPERVISOR: STORES

HEAD: ASSETS & SUPPLY CHAIN

HEAD: DEPARTMENT

APPROVALS



# STORES STOCK ITEM SPECIFICATION & TECHNICAL DATA SHEET



**BERGRIVIER  
MUNICIPALITY**



ITEM NUMBER

WTR-0004030

SHORT  
DESCRIPTION

UPVC CLASS 12 ADAPTOR - 160MM

LONG DETAILED  
DESCRIPTION

UNPLASTICIZED POLYVINYL CHLORIDE CLASS 12 ADAPTOR - 160MM

## TECHNICAL DRAWINGS

## TECHNICAL SPECIFICATIONS

SIZE A (MM)	160MM
SIZE B (MM)	N/A
SIZE C (MM)	N/A
SIZE D	N/A
BRAND	N/A
MANUFACTURER WARRANTY	N/A
MAXIMUM PRESSURE	N/A
MINIMUM PRESSURE	N/A
MAXIMUM TEMPERATURE (°C)	N/A
MINIMUM TEMPERATURE (°C)	N/A
THREAD PITCH (MM)	N/A
THREAD REACH (MM)	N/A
OPERATING TEMPERATURE (°C)	N/A

EXTERNAL MATERIAL UPVC

INTERNAL MATERIAL UPVC

STORAGE REQUIREMENTS CLEAN & DRY

MSDS REQUIRED N/A

BOX QUANTITY EACH

## SPECIAL INSTRUCTIONS

APPROVALS

SUPERVISOR: STORES

HEAD: ASSETS & SUPPLY CHAIN

HEAD: DEPARTMENT

APPROVALS

# STORES STOCK ITEM SPECIFICATION & TECHNICAL DATA SHEET



**BERGRIVIER  
MUNICIPALITY**



ITEM NUMBER

WTR-0004031

SHORT  
DESCRIPTION

UPVC CLASS 12 FXM REDUCER - 110-50MM

LONG DETAILED  
DESCRIPTION

UNPLASTICIZED POLYVINYL CHLORIDE CLASS 12 FXM REDUCER - 110-50MM

## TECHNICAL DRAWINGS

## TECHNICAL SPECIFICATIONS

SIZE A (MM)	110MM
SIZE B (MM)	50MM
SIZE C (MM)	N/A
SIZE D	N/A
BRAND	N/A
MANUFACTURER WARRANTY	N/A
MAXIMUM PRESSURE	N/A
MINIMUM PRESSURE	N/A
MAXIMUM TEMPERATURE (°C)	N/A
MINIMUM TEMPERATURE (°C)	N/A
THREAD PITCH (MM)	N/A
THREAD REACH (MM)	N/A
OPERATING TEMPERATURE (°C)	N/A

EXTERNAL MATERIAL UPVC

INTERNAL MATERIAL UPVC

STORAGE REQUIREMENTS CLEAN & DRY

MSDS REQUIRED N/A

BOX QUANTITY EACH

## SPECIAL INSTRUCTIONS

APPROVALS

SUPERVISOR: STORES

HEAD: ASSETS & SUPPLY CHAIN

HEAD: DEPARTMENT

APPROVALS

# STORES STOCK ITEM SPECIFICATION & TECHNICAL DATA SHEET



**BERGRIVIER  
MUNICIPALITY**



ITEM NUMBER

WTR-0004032

SHORT  
DESCRIPTION

UPVC CLASS 12 FXM REDUCER - 110-63MM

LONG DETAILED  
DESCRIPTION

UNPLASTICIZED POLYVINYL CHLORIDE CLASS 12 FXM REDUCER - 110-63MM

## TECHNICAL DRAWINGS

## TECHNICAL SPECIFICATIONS

SIZE A (MM)	110MM
SIZE B (MM)	63MM
SIZE C (MM)	N/A
SIZE D	N/A
BRAND	N/A
MANUFACTURER WARRANTY	N/A
MAXIMUM PRESSURE	N/A
MINIMUM PRESSURE	N/A
MAXIMUM TEMPERATURE (°C)	N/A
MINIMUM TEMPERATURE (°C)	N/A
THREAD PITCH (MM)	N/A
THREAD REACH (MM)	N/A
OPERATING TEMPERATURE (°C)	N/A

EXTERNAL MATERIAL UPVC

INTERNAL MATERIAL UPVC

STORAGE REQUIREMENTS CLEAN & DRY

MSDS REQUIRED N/A

BOX QUANTITY EACH

## SPECIAL INSTRUCTIONS

APPROVALS

SUPERVISOR: STORES

HEAD: ASSETS & SUPPLY CHAIN

HEAD: DEPARTMENT

APPROVALS

# STORES STOCK ITEM SPECIFICATION & TECHNICAL DATA SHEET



**BERGRIVIER  
MUNICIPALITY**



ITEM NUMBER

WTR-0004033

SHORT  
DESCRIPTION

UPVC CLASS 12 FXM REDUCER - 75-63MM

LONG DETAILED  
DESCRIPTION

UNPLASTICIZED POLYVINYL CHLORIDE CLASS 12 FXM REDUCER - 75-63MM

## TECHNICAL DRAWINGS

## TECHNICAL SPECIFICATIONS

SIZE A (MM)	75MM
SIZE B (MM)	63MM
SIZE C (MM)	N/A
SIZE D	N/A
BRAND	N/A
MANUFACTURER WARRANTY	N/A
MAXIMUM PRESSURE	N/A
MINIMUM PRESSURE	N/A
MAXIMUM TEMPERATURE (°C)	N/A
MINIMUM TEMPERATURE (°C)	N/A
THREAD PITCH (MM)	N/A
THREAD REACH (MM)	N/A
OPERATING TEMPERATURE (°C)	N/A

EXTERNAL MATERIAL UPVC

INTERNAL MATERIAL UPVC

STORAGE REQUIREMENTS CLEAN & DRY

MSDS REQUIRED N/A

BOX QUANTITY EACH

## SPECIAL INSTRUCTIONS

APPROVALS

SUPERVISOR: STORES

HEAD: ASSETS & SUPPLY CHAIN

HEAD: DEPARTMENT

APPROVALS

# STORES STOCK ITEM SPECIFICATION & TECHNICAL DATA SHEET



**BERGRIVIER  
MUNICIPALITY**



ITEM NUMBER

WTR-0004034

SHORT  
DESCRIPTION

UPVC CLASS 12 FXM REDUCER - 110-75MM

LONG DETAILED  
DESCRIPTION

UNPLASTICIZED POLYVINYL CHLORIDE CLASS 12 FXM REDUCER - 110-75MM

## TECHNICAL DRAWINGS

## TECHNICAL SPECIFICATIONS

SIZE A (MM)	110MM
SIZE B (MM)	75MM
SIZE C (MM)	N/A
SIZE D	N/A
BRAND	N/A
MANUFACTURER WARRANTY	N/A
MAXIMUM PRESSURE	N/A
MINIMUM PRESSURE	N/A
MAXIMUM TEMPERATURE (°C)	N/A
MINIMUM TEMPERATURE (°C)	N/A
THREAD PITCH (MM)	N/A
THREAD REACH (MM)	N/A
OPERATING TEMPERATURE (°C)	N/A

EXTERNAL MATERIAL UPVC

INTERNAL MATERIAL UPVC

STORAGE REQUIREMENTS CLEAN & DRY

MSDS REQUIRED N/A

BOX QUANTITY EACH

## SPECIAL INSTRUCTIONS

APPROVALS

SUPERVISOR: STORES

HEAD: ASSETS & SUPPLY CHAIN

HEAD: DEPARTMENT

APPROVALS

# STORES STOCK ITEM SPECIFICATION & TECHNICAL DATA SHEET



**BERGRIVIER  
MUNICIPALITY**



ITEM NUMBER

WTR-0004035

SHORT  
DESCRIPTION

UPVC CLASS 12 FXM REDUCER - 110-100MM

LONG DETAILED  
DESCRIPTION

UNPLASTICIZED POLYVINYL CHLORIDE CLASS 12 FXM REDUCER - 110-100MM

## TECHNICAL DRAWINGS

## TECHNICAL SPECIFICATIONS

SIZE A (MM)	110MM
SIZE B (MM)	100MM
SIZE C (MM)	N/A
SIZE D	N/A
BRAND	N/A
MANUFACTURER WARRANTY	N/A
MAXIMUM PRESSURE	N/A
MINIMUM PRESSURE	N/A
MAXIMUM TEMPERATURE (°C)	N/A
MINIMUM TEMPERATURE (°C)	N/A
THREAD PITCH (MM)	N/A
THREAD REACH (MM)	N/A
OPERATING TEMPERATURE (°C)	N/A

EXTERNAL MATERIAL UPVC

INTERNAL MATERIAL UPVC

STORAGE REQUIREMENTS CLEAN & DRY

MSDS REQUIRED N/A

BOX QUANTITY EACH

## SPECIAL INSTRUCTIONS

APPROVALS

SUPERVISOR: STORES

HEAD: ASSETS & SUPPLY CHAIN

HEAD: DEPARTMENT

APPROVALS

# STORES STOCK ITEM SPECIFICATION & TECHNICAL DATA SHEET



**BERGRIVIER  
MUNICIPALITY**



ITEM NUMBER

WTR-0004036

SHORT  
DESCRIPTION

UPVC CLASS 12 FXM REDUCER - 150-110MM

LONG DETAILED  
DESCRIPTION

UNPLASTICIZED POLYVINYL CHLORIDE CLASS 12 FXM REDUCER - 150-110MM

## TECHNICAL DRAWINGS

## TECHNICAL SPECIFICATIONS

SIZE A (MM)	150MM
SIZE B (MM)	110MM
SIZE C (MM)	N/A
SIZE D	N/A
BRAND	N/A
MANUFACTURER WARRANTY	N/A
MAXIMUM PRESSURE	N/A
MINIMUM PRESSURE	N/A
MAXIMUM TEMPERATURE (°C)	N/A
MINIMUM TEMPERATURE (°C)	N/A
THREAD PITCH (MM)	N/A
THREAD REACH (MM)	N/A
OPERATING TEMPERATURE (°C)	N/A

EXTERNAL MATERIAL UPVC

INTERNAL MATERIAL UPVC

STORAGE REQUIREMENTS CLEAN & DRY

MSDS REQUIRED N/A

BOX QUANTITY EACH

## SPECIAL INSTRUCTIONS

APPROVALS

SUPERVISOR: STORES

HEAD: ASSETS & SUPPLY CHAIN

HEAD: DEPARTMENT

APPROVALS



# STORES STOCK ITEM SPECIFICATION & TECHNICAL DATA SHEET



**BERGRIVIER  
MUNICIPALITY**



ITEM NUMBER

WTR-0004037

SHORT  
DESCRIPTION

UPVC CLASS 12 FXM REDUCER - 160-63MM

LONG DETAILED  
DESCRIPTION

UNPLASTICIZED POLYVINYL CHLORIDE CLASS FXM REDUCER - 160-63MM

## TECHNICAL DRAWINGS

## TECHNICAL SPECIFICATIONS

SIZE A (MM)	160MM
SIZE B (MM)	63MM
SIZE C (MM)	N/A
SIZE D	N/A
BRAND	N/A
MANUFACTURER WARRANTY	N/A
MAXIMUM PRESSURE	N/A
MINIMUM PRESSURE	N/A
MAXIMUM TEMPERATURE (°C)	N/A
MINIMUM TEMPERATURE (°C)	N/A
THREAD PITCH (MM)	N/A
THREAD REACH (MM)	N/A
OPERATING TEMPERATURE (°C)	N/A

EXTERNAL MATERIAL UPVC

INTERNAL MATERIAL UPVC

STORAGE REQUIREMENTS CLEAN & DRY

MSDS REQUIRED N/A

BOX QUANTITY EACH

## SPECIAL INSTRUCTIONS

APPROVALS

SUPERVISOR: STORES

HEAD: ASSETS & SUPPLY CHAIN


HEAD: DEPARTMENT

APPROVALS

# STORES STOCK ITEM SPECIFICATION & TECHNICAL DATA SHEET



**BERGRIVIER  
MUNICIPALITY**


	ITEM NUMBER	WTR-0004038
	SHORT DESCRIPTION	UPVC CL12 BEND (L-R) - 63MM X 45DEG
	LONG DETAILED DESCRIPTION	UNPLASTICIZED POLYVINYL CHLORIDE CL12 BEND (L-R) - 63MM X 45DEG

TECHNICAL DRAWINGS		TECHNICAL SPECIFICATIONS		
		SIZE A (MM)	63MM	
		SIZE B (MM)	N/A	
		SIZE C (MM)	N/A	
		SIZE D	45DEG	
		BRAND	N/A	
		MANUFACTURER WARRANTY	N/A	
		MAXIMUM PRESSURE	N/A	
		MINIMUM PRESSURE	N/A	
		MAXIMUM TEMPERATURE (°C)	N/A	
		MINIMUM TEMPERATURE (°C)	N/A	
		THREAD PITCH (MM)	N/A	
		THREAD REACH (MM)	N/A	
		OPERATING TEMPERATURE (°C)	N/A	
EXTERNAL MATERIAL	UPVC	SPECIAL INSTRUCTIONS		
INTERNAL MATERIAL	UPVC			
STORAGE REQUIREMENTS	CLEAN & DRY			
MSDS REQUIRED	N/A			
BOX QUANTITY	EACH			
APPROVALS				APPROVALS
	SUPERVISOR: STORES	HEAD: ASSETS & SUPPLY CHAIN	HEAD: DEPARTMENT	

# STORES STOCK ITEM SPECIFICATION & TECHNICAL DATA SHEET



**BERGRIVIER  
MUNICIPALITY**


	ITEM NUMBER	WTR-0004039
	SHORT DESCRIPTION	UPVC CL12 BEND (L-R) 75MM X 45DEG
	LONG DETAILED DESCRIPTION	UNPLASTICIZED POLYVINYL CHLORIDE CL12 BEND (L-R) 75MM X 45DEG

TECHNICAL DRAWINGS		TECHNICAL SPECIFICATIONS		
		SIZE A (MM)	75MM	
		SIZE B (MM)	N/A	
		SIZE C (MM)	N/A	
		SIZE D	45DEG	
		BRAND	N/A	
		MANUFACTURER WARRANTY	N/A	
		MAXIMUM PRESSURE	N/A	
		MINIMUM PRESSURE	N/A	
		MAXIMUM TEMPERATURE (°C)	N/A	
		MINIMUM TEMPERATURE (°C)	N/A	
		THREAD PITCH (MM)	N/A	
		THREAD REACH (MM)	N/A	
		OPERATING TEMPERATURE (°C)	N/A	
EXTERNAL MATERIAL	UPVC	SPECIAL INSTRUCTIONS		
INTERNAL MATERIAL	UPVC			
STORAGE REQUIREMENTS	CLEAN & DRY			
MSDS REQUIRED	N/A			
BOX QUANTITY	EACH			
APPROVALS				APPROVALS
	SUPERVISOR: STORES	HEAD: ASSETS & SUPPLY CHAIN	HEAD: DEPARTMENT	

# STORES STOCK ITEM SPECIFICATION & TECHNICAL DATA SHEET



**BERGRIVIER  
MUNICIPALITY**


	ITEM NUMBER	WTR-0004040
	SHORT DESCRIPTION	UPVC CL12 BEND (L-R) 110MM X 45DEG
	LONG DETAILED DESCRIPTION	UNPLASTICIZED POLYVINYL CHLORIDE CL12 BEND (L-R) 110MM X 45DEG

TECHNICAL DRAWINGS		TECHNICAL SPECIFICATIONS		
		SIZE A (MM)	110MM	
		SIZE B (MM)	N/A	
		SIZE C (MM)	N/A	
		SIZE D	45DEG	
		BRAND	N/A	
		MANUFACTURER WARRANTY	N/A	
		MAXIMUM PRESSURE	N/A	
		MINIMUM PRESSURE	N/A	
		MAXIMUM TEMPERATURE (°C)	N/A	
		MINIMUM TEMPERATURE (°C)	N/A	
		THREAD PITCH (MM)	N/A	
		THREAD REACH (MM)	N/A	
		OPERATING TEMPERATURE (°C)	N/A	
EXTERNAL MATERIAL	UPVC	SPECIAL INSTRUCTIONS		
INTERNAL MATERIAL	UPVC			
STORAGE REQUIREMENTS	CLEAN & DRY			
MSDS REQUIRED	N/A			
BOX QUANTITY	EACH			
APPROVALS				APPROVALS
	SUPERVISOR: STORES	HEAD: ASSETS & SUPPLY CHAIN	HEAD: DEPARTMENT	

# STORES STOCK ITEM SPECIFICATION & TECHNICAL DATA SHEET



**BERGRIVIER  
MUNICIPALITY**


	ITEM NUMBER	WTR-0004041
	SHORT DESCRIPTION	UPVC CL12 BEND (L-R) 63MM X 90DEG
	LONG DETAILED DESCRIPTION	UNPLASTICIZED POLYVINYL CHLORIDE CL12 BEND (L-R) 63MM X 90DEG

TECHNICAL DRAWINGS		TECHNICAL SPECIFICATIONS		
		SIZE A (MM)	63MM	
		SIZE B (MM)	N/A	
		SIZE C (MM)	N/A	
		SIZE D	90DEG	
		BRAND	N/A	
		MANUFACTURER WARRANTY	N/A	
		MAXIMUM PRESSURE	N/A	
		MINIMUM PRESSURE	N/A	
		MAXIMUM TEMPERATURE (°C)	N/A	
		MINIMUM TEMPERATURE (°C)	N/A	
		THREAD PITCH (MM)	N/A	
		THREAD REACH (MM)	N/A	
		OPERATING TEMPERATURE (°C)	N/A	
EXTERNAL MATERIAL	UPVC	SPECIAL INSTRUCTIONS		
INTERNAL MATERIAL	UPVC			
STORAGE REQUIREMENTS	CLEAN & DRY			
MSDS REQUIRED	N/A			
BOX QUANTITY	EACH			
APPROVALS				APPROVALS
	SUPERVISOR: STORES	HEAD: ASSETS & SUPPLY CHAIN	HEAD: DEPARTMENT	

# STORES STOCK ITEM SPECIFICATION & TECHNICAL DATA SHEET



**BERGRIVIER  
MUNICIPALITY**


	ITEM NUMBER	WTR-0004042
	SHORT DESCRIPTION	UPVC CL12 BEND (L-R) 75MM X 90DEG
	LONG DETAILED DESCRIPTION	UNPLASTICIZED POLYVINYL CHLORIDE CL12 BEND (L-R) 75MM X 90DEG

TECHNICAL DRAWINGS		TECHNICAL SPECIFICATIONS		
		SIZE A (MM)	75MM	
		SIZE B (MM)	N/A	
		SIZE C (MM)	N/A	
		SIZE D	90DEG	
		BRAND	N/A	
		MANUFACTURER WARRANTY	N/A	
		MAXIMUM PRESSURE	N/A	
		MINIMUM PRESSURE	N/A	
		MAXIMUM TEMPERATURE (°C)	N/A	
		MINIMUM TEMPERATURE (°C)	N/A	
		THREAD PITCH (MM)	N/A	
		THREAD REACH (MM)	N/A	
		OPERATING TEMPERATURE (°C)	N/A	
EXTERNAL MATERIAL	UPVC	SPECIAL INSTRUCTIONS		
INTERNAL MATERIAL	UPVC			
STORAGE REQUIREMENTS	CLEAN & DRY			
MSDS REQUIRED	N/A			
BOX QUANTITY	EACH			
APPROVALS				APPROVALS
	SUPERVISOR: STORES	HEAD: ASSETS & SUPPLY CHAIN	HEAD: DEPARTMENT	

# STORES STOCK ITEM SPECIFICATION & TECHNICAL DATA SHEET



**BERGRIVIER  
MUNICIPALITY**

	ITEM NUMBER	WTR-0004043
	SHORT DESCRIPTION	UPVC CL12 BEND (L-R) 110MM X 90DEG
	LONG DETAILED DESCRIPTION	UNPLASTICIZED POLYVINYL CHLORIDE CL12 BEND (L-R) 110MM X 90DEG

TECHNICAL DRAWINGS		TECHNICAL SPECIFICATIONS		
		SIZE A (MM)	110MM	
		SIZE B (MM)	N/A	
		SIZE C (MM)	N/A	
		SIZE D	90DEG	
		BRAND	N/A	
		MANUFACTURER WARRANTY	N/A	
		MAXIMUM PRESSURE	N/A	
		MINIMUM PRESSURE	N/A	
		MAXIMUM TEMPERATURE (°C)	N/A	
		MINIMUM TEMPERATURE (°C)	N/A	
		THREAD PITCH (MM)	N/A	
		THREAD REACH (MM)	N/A	
		OPERATING TEMPERATURE (°C)	N/A	
EXTERNAL MATERIAL	UPVC	SPECIAL INSTRUCTIONS		
INTERNAL MATERIAL	UPVC			
STORAGE REQUIREMENTS	CLEAN & DRY			
MSDS REQUIRED	N/A			
BOX QUANTITY	EACH			
APPROVALS				APPROVALS
	SUPERVISOR: STORES	HEAD: ASSETS & SUPPLY CHAIN	HEAD: DEPARTMENT	



# STORES STOCK ITEM SPECIFICATION & TECHNICAL DATA SHEET



**BERGRIVIER  
MUNICIPALITY**



ITEM NUMBER

WTR-0004044

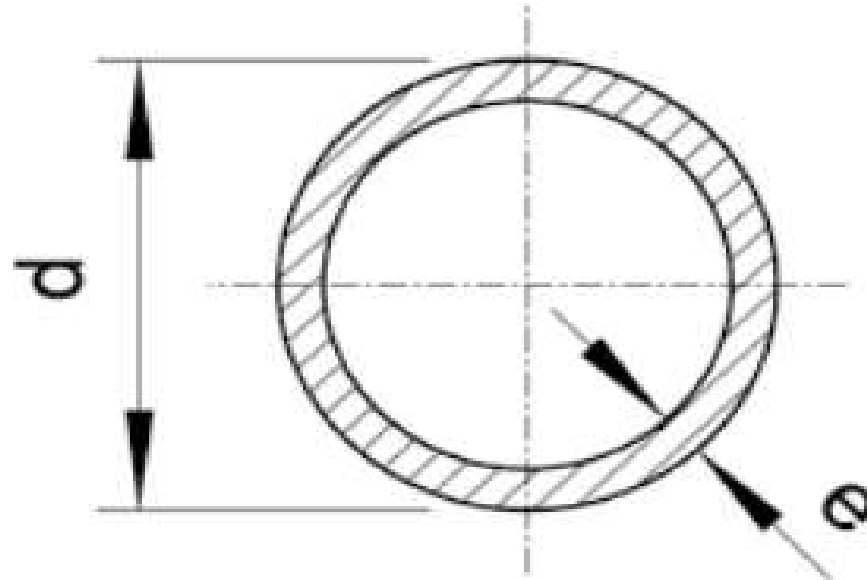
SHORT  
DESCRIPTION

UPVC CLASS 6 PIPE - 110MM

LONG DETAILED  
DESCRIPTION

UNPLASTICIZED POLYVINYL CHLORIDE CLASS 6 PIPE - 110MM

## TECHNICAL DRAWINGS



## TECHNICAL SPECIFICATIONS

SIZE A (MM)	110MM
SIZE B (MM)	N/A
SIZE C (MM)	N/A
SIZE D	N/A
BRAND	N/A
MANUFACTURER WARRANTY	N/A
MAXIMUM PRESSURE	N/A
MINIMUM PRESSURE	N/A
MAXIMUM TEMPERATURE (°C)	N/A
MINIMUM TEMPERATURE (°C)	N/A
THREAD PITCH (MM)	N/A
THREAD REACH (MM)	N/A
OPERATING TEMPERATURE (°C)	N/A

EXTERNAL MATERIAL	UPVC
INTERNAL MATERIAL	UPVC
STORAGE REQUIREMENTS	CLEAN & DRY
MSDS REQUIRED	N/A
BOX QUANTITY	EACH

## SPECIAL INSTRUCTIONS

APPROVALS

SUPERVISOR: STORES

HEAD: ASSETS & SUPPLY CHAIN

HEAD: DEPARTMENT

APPROVALS

# STORES STOCK ITEM SPECIFICATION & TECHNICAL DATA SHEET



**BERGRIVIER  
MUNICIPALITY**



ITEM NUMBER

WTR-0004045

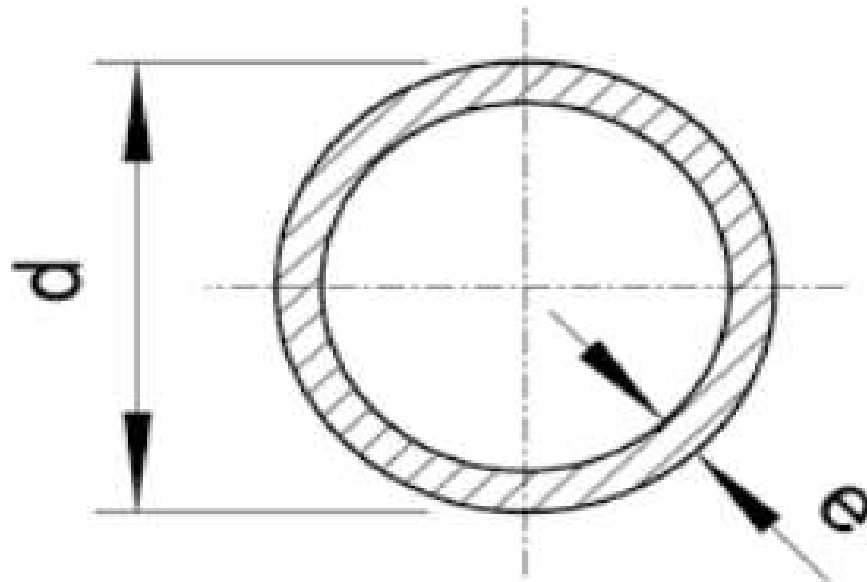
SHORT  
DESCRIPTION

UPVC CLASS 6 PIPE - 160MM

LONG DETAILED  
DESCRIPTION

UNPLASTICIZED POLYVINYL CHLORIDEE CLASS 6 PIPE - 160MM

## TECHNICAL DRAWINGS



## TECHNICAL SPECIFICATIONS

SIZE A (MM)	160MM
SIZE B (MM)	N/A
SIZE C (MM)	N/A
SIZE D	N/A
BRAND	N/A
MANUFACTURER WARRANTY	N/A
MAXIMUM PRESSURE	N/A
MINIMUM PRESSURE	N/A
MAXIMUM TEMPERATURE (°C)	N/A
MINIMUM TEMPERATURE (°C)	N/A
THREAD PITCH (MM)	N/A
THREAD REACH (MM)	N/A
OPERATING TEMPERATURE (°C)	N/A

EXTERNAL MATERIAL	UPVC
INTERNAL MATERIAL	UPVC
STORAGE REQUIREMENTS	CLEAN & DRY
MSDS REQUIRED	N/A
BOX QUANTITY	EACH

## SPECIAL INSTRUCTIONS

APPROVALS

SUPERVISOR: STORES

HEAD: ASSETS & SUPPLY CHAIN

HEAD: DEPARTMENT

APPROVALS

# STORES STOCK ITEM SPECIFICATION & TECHNICAL DATA SHEET



**BERGRIVIER  
MUNICIPALITY**



ITEM NUMBER

WTR-0004046

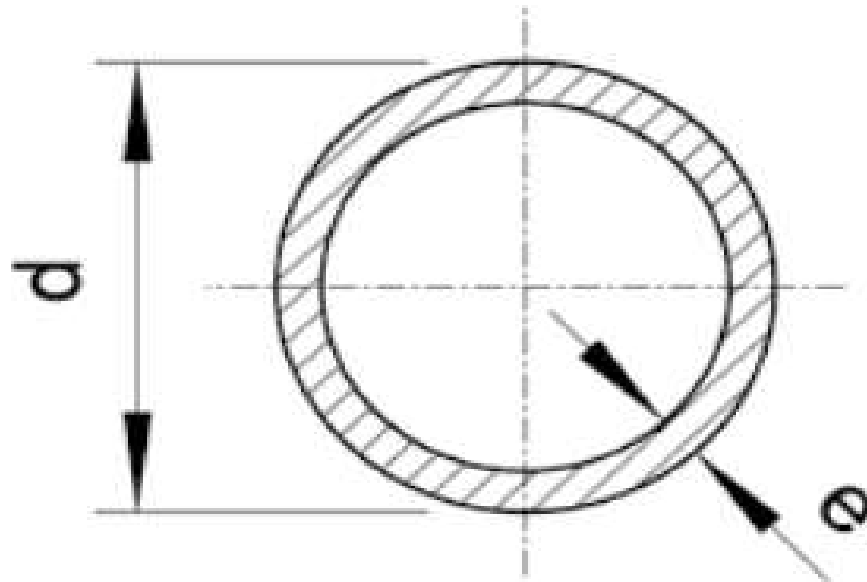
SHORT  
DESCRIPTION

UPVC CLASS 12 PIPE - 50MM

LONG DETAILED  
DESCRIPTION

UNPLASTICIZED POLYVINYL CHLORIDE CLASS 12 PIPE - 50MM

## TECHNICAL DRAWINGS



## TECHNICAL SPECIFICATIONS

SIZE A (MM)	50MM
SIZE B (MM)	N/A
SIZE C (MM)	N/A
SIZE D	N/A
BRAND	N/A
MANUFACTURER WARRANTY	N/A
MAXIMUM PRESSURE	N/A
MINIMUM PRESSURE	N/A
MAXIMUM TEMPERATURE (°C)	N/A
MINIMUM TEMPERATURE (°C)	N/A
THREAD PITCH (MM)	N/A
THREAD REACH (MM)	N/A
OPERATING TEMPERATURE (°C)	N/A

EXTERNAL MATERIAL	UPVC
INTERNAL MATERIAL	UPVC
STORAGE REQUIREMENTS	CLEAN & DRY
MSDS REQUIRED	N/A
BOX QUANTITY	EACH

## SPECIAL INSTRUCTIONS

APPROVALS

SUPERVISOR: STORES

HEAD: ASSETS & SUPPLY CHAIN

HEAD: DEPARTMENT

APPROVALS

# STORES STOCK ITEM SPECIFICATION & TECHNICAL DATA SHEET



**BERGRIVIER  
MUNICIPALITY**



ITEM NUMBER

WTR-0004047

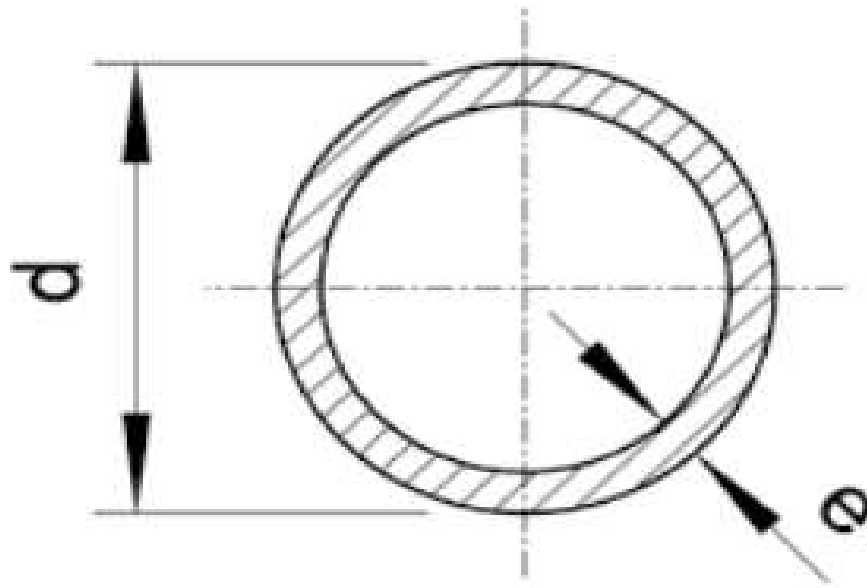
SHORT  
DESCRIPTION

UPVC CLASS 12 PIPE - 63 MM

LONG DETAILED  
DESCRIPTION

UNPLASTICIZED POLYVINYL CHLORIDE CLASS 12 PIPE - 63 MM

## TECHNICAL DRAWINGS



## TECHNICAL SPECIFICATIONS

SIZE A (MM)	63MM
SIZE B (MM)	N/A
SIZE C (MM)	N/A
SIZE D	N/A
BRAND	N/A
MANUFACTURER WARRANTY	N/A
MAXIMUM PRESSURE	N/A
MINIMUM PRESSURE	N/A
MAXIMUM TEMPERATURE (°C)	N/A
MINIMUM TEMPERATURE (°C)	N/A
THREAD PITCH (MM)	N/A
THREAD REACH (MM)	N/A
OPERATING TEMPERATURE (°C)	N/A

EXTERNAL MATERIAL	UPVC
INTERNAL MATERIAL	UPVC
STORAGE REQUIREMENTS	CLEAN & DRY
MSDS REQUIRED	N/A
BOX QUANTITY	EACH

## SPECIAL INSTRUCTIONS

APPROVALS

SUPERVISOR: STORES

HEAD: ASSETS & SUPPLY CHAIN

HEAD: DEPARTMENT

APPROVALS

# STORES STOCK ITEM SPECIFICATION & TECHNICAL DATA SHEET

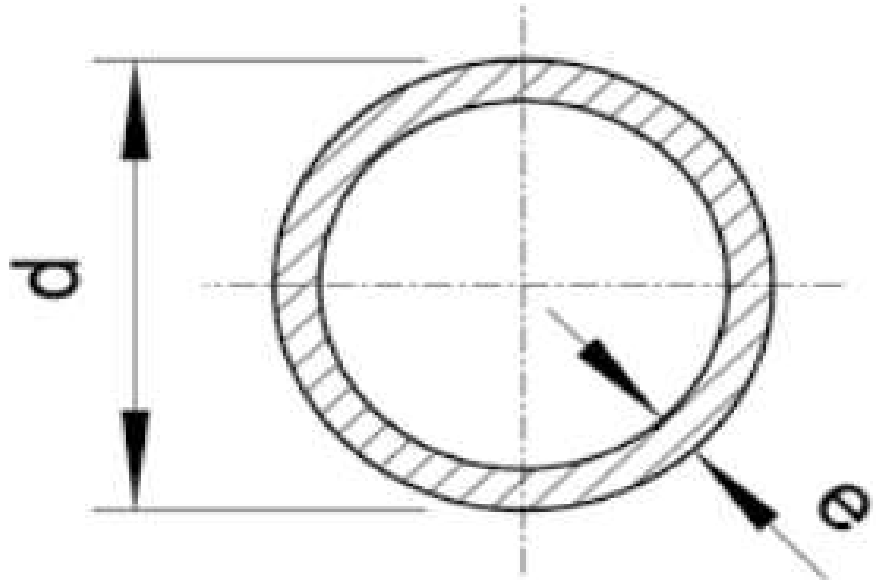


**BERGRIVIER  
MUNICIPALITY**



ITEM NUMBER	WTR-0004048
SHORT DESCRIPTION	UPVC CLASS 12 PIPE - 75MM
LONG DETAILED DESCRIPTION	UNPLASTICIZED POLYVINYL CHLORIDE 12 PIPE - 75MM

## TECHNICAL DRAWINGS



## TECHNICAL SPECIFICATIONS

SIZE A (MM)	75MM
SIZE B (MM)	N/A
SIZE C (MM)	N/A
SIZE D	N/A
BRAND	N/A
MANUFACTURER WARRANTY	N/A
MAXIMUM PRESSURE	N/A
MINIMUM PRESSURE	N/A
MAXIMUM TEMPERATURE (°C)	N/A
MINIMUM TEMPERATURE (°C)	N/A
THREAD PITCH (MM)	N/A
THREAD REACH (MM)	N/A
OPERATING TEMPERATURE (°C)	N/A

EXTERNAL MATERIAL	UPVC
INTERNAL MATERIAL	UPVC
STORAGE REQUIREMENTS	CLEAN & DRY
MSDS REQUIRED	N/A
BOX QUANTITY	EACH

## SPECIAL INSTRUCTIONS

APPROVALS		
	SUPERVISOR: STORES	HEAD: ASSETS & SUPPLY CHAIN

HEAD: DEPARTMENT	APPROVALS

# STORES STOCK ITEM SPECIFICATION & TECHNICAL DATA SHEET



**BERGRIVIER  
MUNICIPALITY**



ITEM NUMBER

WTR-0004049

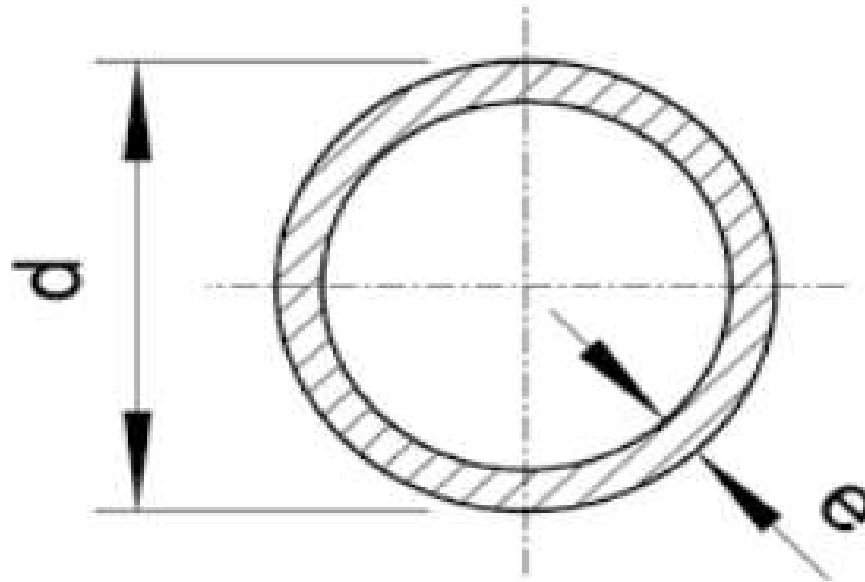
SHORT  
DESCRIPTION

UPVC CLASS 12 PIPE - 90MM

LONG DETAILED  
DESCRIPTION

UNPLASTICIZED POLYVINYL CHLORIDE 12 PIPE - 90MM

## TECHNICAL DRAWINGS



## TECHNICAL SPECIFICATIONS

SIZE A (MM)	90MM
SIZE B (MM)	N/A
SIZE C (MM)	N/A
SIZE D	N/A
BRAND	N/A
MANUFACTURER WARRANTY	N/A
MAXIMUM PRESSURE	N/A
MINIMUM PRESSURE	N/A
MAXIMUM TEMPERATURE (°C)	N/A
MINIMUM TEMPERATURE (°C)	N/A
THREAD PITCH (MM)	N/A
THREAD REACH (MM)	N/A
OPERATING TEMPERATURE (°C)	N/A

EXTERNAL MATERIAL	UPVC
INTERNAL MATERIAL	UPVC
STORAGE REQUIREMENTS	CLEAN & DRY
MSDS REQUIRED	N/A
BOX QUANTITY	EACH

## SPECIAL INSTRUCTIONS

APPROVALS

SUPERVISOR: STORES

HEAD: ASSETS & SUPPLY CHAIN

HEAD: DEPARTMENT

APPROVALS

# STORES STOCK ITEM SPECIFICATION & TECHNICAL DATA SHEET

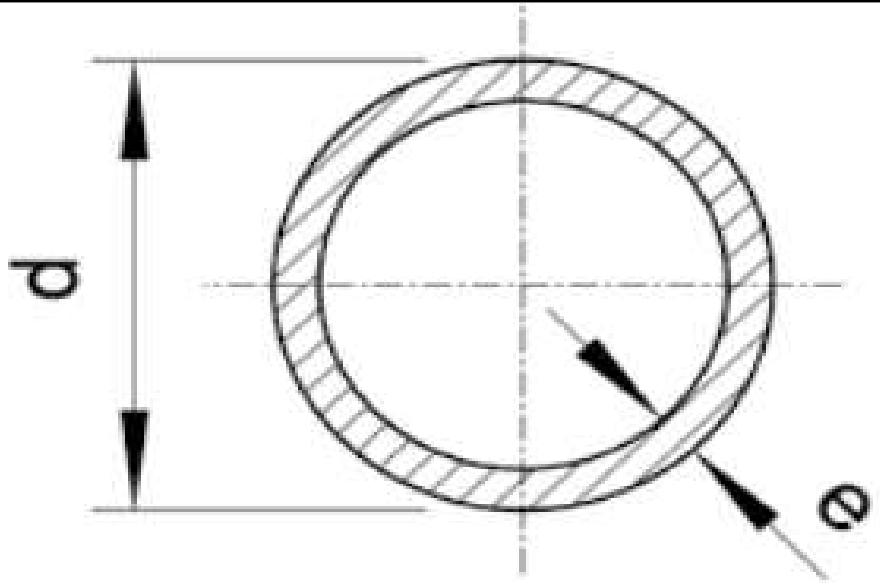


**BERGRIVIER  
MUNICIPALITY**



ITEM NUMBER	WTR-0004050
SHORT DESCRIPTION	UPVC CLASS 12 PIPE - 110MM
LONG DETAILED DESCRIPTION	UNPLASTICIZED POLYVINYL CHLORIDE CLASS 12 PIPE - 110MM

## TECHNICAL DRAWINGS



## TECHNICAL SPECIFICATIONS

SIZE A (MM)	110MM
SIZE B (MM)	N/A
SIZE C (MM)	N/A
SIZE D	N/A
BRAND	N/A
MANUFACTURER WARRANTY	N/A
MAXIMUM PRESSURE	N/A
MINIMUM PRESSURE	N/A
MAXIMUM TEMPERATURE (°C)	N/A
MINIMUM TEMPERATURE (°C)	N/A
THREAD PITCH (MM)	N/A
THREAD REACH (MM)	N/A
OPERATING TEMPERATURE (°C)	N/A

EXTERNAL MATERIAL	UPVC
INTERNAL MATERIAL	UPVC
STORAGE REQUIREMENTS	CLEAN & DRY
MSDS REQUIRED	N/A
BOX QUANTITY	EACH

## SPECIAL INSTRUCTIONS

APPROVALS				APPROVALS
	SUPERVISOR: STORES	HEAD: ASSETS & SUPPLY CHAIN	HEAD: DEPARTMENT	



# STORES STOCK ITEM SPECIFICATION & TECHNICAL DATA SHEET



**BERGRIVIER  
MUNICIPALITY**



ITEM NUMBER	WTR-0004051
SHORT DESCRIPTION	UPVC CLASS 12 PIPE - 160MM
LONG DETAILED DESCRIPTION	UPVC POLYVINYL CHLORIDE CLASS 12 REPAIR COUPLING - 359X372MM CLASS 12

TECHNICAL DRAWINGS		TECHNICAL SPECIFICATIONS		
		SIZE A (MM)	160MM	
		SIZE B (MM)	N/A	
		SIZE C (MM)	N/A	
		SIZE D	N/A	
		BRAND	N/A	
		MANUFACTURER WARRANTY	N/A	
		MAXIMUM PRESSURE	N/A	
		MINIMUM PRESSURE	N/A	
		MAXIMUM TEMPERATURE (°C)	N/A	
		MINIMUM TEMPERATURE (°C)	N/A	
		THREAD PITCH (MM)	N/A	
		THREAD REACH (MM)	N/A	
		OPERATING TEMPERATURE (°C)	N/A	
EXTERNAL MATERIAL	UPVC	SPECIAL INSTRUCTIONS		
INTERNAL MATERIAL	UPVC			
STORAGE REQUIREMENTS	CLEAN & DRY			
MSDS REQUIRED	N/A			
BOX QUANTITY	EACH			
APPROVALS				APPROVALS
	SUPERVISOR: STORES	HEAD: ASSETS & SUPPLY CHAIN	HEAD: DEPARTMENT	

# STORES STOCK ITEM SPECIFICATION & TECHNICAL DATA SHEET



**BERGRIVIER  
MUNICIPALITY**



ITEM NUMBER

WTR-0004052

SHORT  
DESCRIPTION

UPVC CLASS 12 T-PIECE - 110MM

LONG DETAILED  
DESCRIPTION

UNPLASTICIZED POLYVINYL CHLORIDE CLASS 12 T-PIECE - 110MM

## TECHNICAL DRAWINGS

## TECHNICAL SPECIFICATIONS

SIZE A (MM)	110MM
SIZE B (MM)	110MM
SIZE C (MM)	110MM
SIZE D	N/A
BRAND	N/A
MANUFACTURER WARRANTY	N/A
MAXIMUM PRESSURE	N/A
MINIMUM PRESSURE	N/A
MAXIMUM TEMPERATURE (°C)	N/A
MINIMUM TEMPERATURE (°C)	N/A
THREAD PITCH (MM)	N/A
THREAD REACH (MM)	N/A
OPERATING TEMPERATURE (°C)	N/A

EXTERNAL MATERIAL UPVC

INTERNAL MATERIAL UPVC

STORAGE REQUIREMENTS CLEAN & DRY

MSDS REQUIRED N/A

BOX QUANTITY EACH

## SPECIAL INSTRUCTIONS

APPROVALS

SUPERVISOR: STORES

HEAD: ASSETS & SUPPLY CHAIN

HEAD: DEPARTMENT

APPROVALS

# STORES STOCK ITEM SPECIFICATION & TECHNICAL DATA SHEET

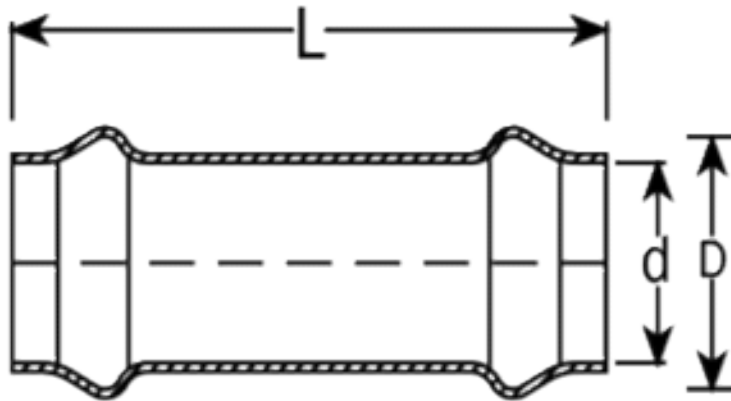


**BERGRIVIER  
MUNICIPALITY**



ITEM NUMBER	WTR-0004053
SHORT DESCRIPTION	UPVC CLASS 12 REPAIR COUPLING - 50MM
LONG DETAILED DESCRIPTION	UNPLASTICIZED POLYVINYL CHLORIDE CLASS 12 REPAIR COUPLING - 50MM

## TECHNICAL DRAWINGS



## TECHNICAL SPECIFICATIONS

SIZE A (MM)	50MM
SIZE B (MM)	N/A
SIZE C (MM)	N/A
SIZE D	N/A
BRAND	N/A
MANUFACTURER WARRANTY	N/A
MAXIMUM PRESSURE	N/A
MINIMUM PRESSURE	N/A
MAXIMUM TEMPERATURE (°C)	N/A
MINIMUM TEMPERATURE (°C)	N/A
THREAD PITCH (MM)	N/A
THREAD REACH (MM)	N/A
OPERATING TEMPERATURE (°C)	N/A

EXTERNAL MATERIAL	UPVC
INTERNAL MATERIAL	UPVC
STORAGE REQUIREMENTS	CLEAN & DRY
MSDS REQUIRED	N/A
BOX QUANTITY	EACH

## SPECIAL INSTRUCTIONS

APPROVALS

SUPERVISOR: STORES

HEAD: ASSETS & SUPPLY CHAIN

HEAD: DEPARTMENT

APPROVALS

# STORES STOCK ITEM SPECIFICATION & TECHNICAL DATA SHEET

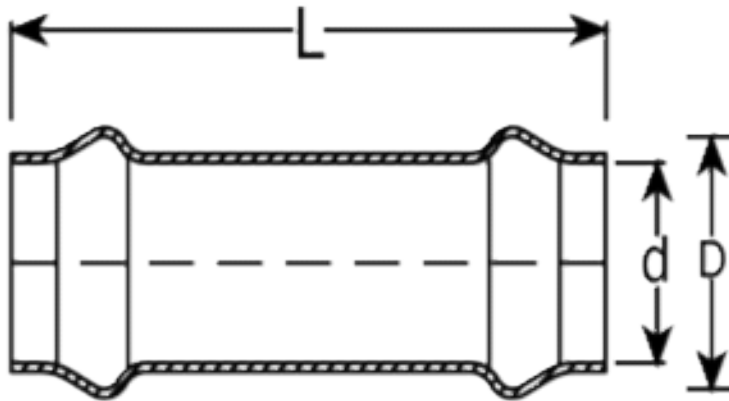


**BERGRIVIER  
MUNICIPALITY**



ITEM NUMBER	WTR-0004054
SHORT DESCRIPTION	UPVC CLASS 12 REPAIR COUPLING - 63MM
LONG DETAILED DESCRIPTION	UNPLASTICIZED POLYVINYL CHLORIDE CLASS 12 REPAIR COUPLING - 63MM

## TECHNICAL DRAWINGS



## TECHNICAL SPECIFICATIONS

SIZE A (MM)	63MM
SIZE B (MM)	N/A
SIZE C (MM)	N/A
SIZE D	N/A
BRAND	N/A
MANUFACTURER WARRANTY	N/A
MAXIMUM PRESSURE	N/A
MINIMUM PRESSURE	N/A
MAXIMUM TEMPERATURE (°C)	N/A
MINIMUM TEMPERATURE (°C)	N/A
THREAD PITCH (MM)	N/A
THREAD REACH (MM)	N/A
OPERATING TEMPERATURE (°C)	N/A

EXTERNAL MATERIAL	UPVC
INTERNAL MATERIAL	UPVC
STORAGE REQUIREMENTS	CLEAN & DRY
MSDS REQUIRED	N/A
BOX QUANTITY	EACH

## SPECIAL INSTRUCTIONS

APPROVALS

SUPERVISOR: STORES

HEAD: ASSETS & SUPPLY CHAIN

HEAD: DEPARTMENT

APPROVALS

# STORES STOCK ITEM SPECIFICATION & TECHNICAL DATA SHEET



**BERGRIVIER  
MUNICIPALITY**



ITEM NUMBER

WTR-0004055

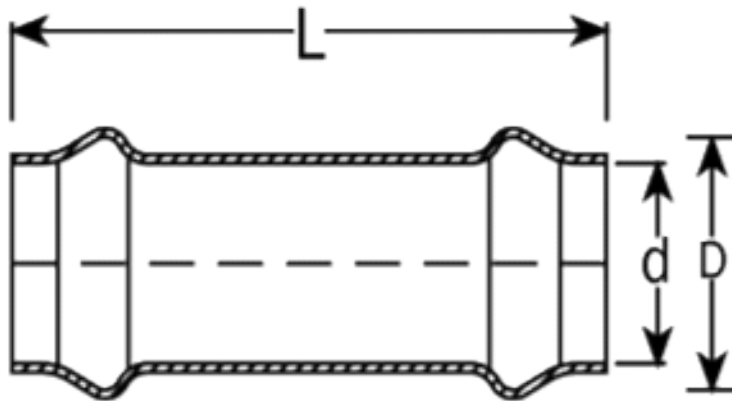
SHORT  
DESCRIPTION

UPVC CLASS 12 REPAIR COUPLING - 75MM

LONG DETAILED  
DESCRIPTION

UNPLASTICIZED POLYVINYL CHLORIDE CLASS 12 REPAIR COUPLING - 75MM

## TECHNICAL DRAWINGS



## TECHNICAL SPECIFICATIONS

SIZE A (MM)	75MM
SIZE B (MM)	N/A
SIZE C (MM)	N/A
SIZE D	N/A
BRAND	N/A
MANUFACTURER WARRANTY	N/A
MAXIMUM PRESSURE	N/A
MINIMUM PRESSURE	N/A
MAXIMUM TEMPERATURE (°C)	N/A
MINIMUM TEMPERATURE (°C)	N/A
THREAD PITCH (MM)	N/A
THREAD REACH (MM)	N/A
OPERATING TEMPERATURE (°C)	N/A

EXTERNAL MATERIAL UPVC

INTERNAL MATERIAL UPVC

STORAGE REQUIREMENTS CLEAN & DRY

MSDS REQUIRED N/A

BOX QUANTITY EACH

## SPECIAL INSTRUCTIONS

APPROVALS

SUPERVISOR: STORES

HEAD: ASSETS & SUPPLY CHAIN

HEAD: DEPARTMENT

APPROVALS

# STORES STOCK ITEM SPECIFICATION & TECHNICAL DATA SHEET

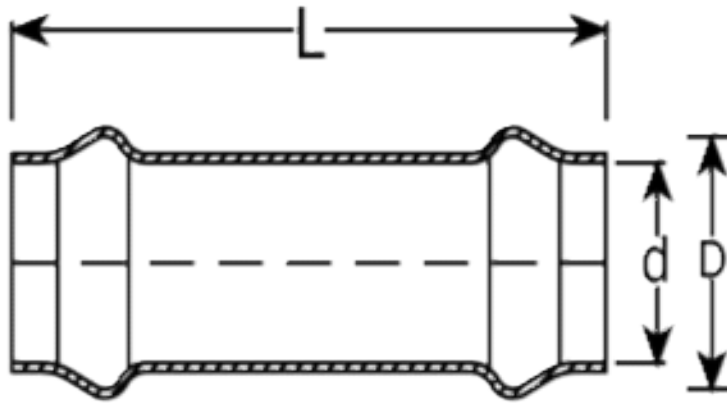


**BERGRIVIER  
MUNICIPALITY**



ITEM NUMBER	WTR-0004056
SHORT DESCRIPTION	UPVC CLASS 12 REPAIR COUPLING - 110MM
LONG DETAILED DESCRIPTION	UNPLASTICIZED POLYVINYL CHLORIDE CLASS 12 REPAIR COUPLING - 110MM

## TECHNICAL DRAWINGS



## TECHNICAL SPECIFICATIONS

SIZE A (MM)	110MM
SIZE B (MM)	N/A
SIZE C (MM)	N/A
SIZE D	N/A
BRAND	N/A
MANUFACTURER WARRANTY	N/A
MAXIMUM PRESSURE	N/A
MINIMUM PRESSURE	N/A
MAXIMUM TEMPERATURE (°C)	N/A
MINIMUM TEMPERATURE (°C)	N/A
THREAD PITCH (MM)	N/A
THREAD REACH (MM)	N/A
OPERATING TEMPERATURE (°C)	N/A

EXTERNAL MATERIAL	UPVC
INTERNAL MATERIAL	UPVC
STORAGE REQUIREMENTS	CLEAN & DRY
MSDS REQUIRED	N/A
BOX QUANTITY	EACH

## SPECIAL INSTRUCTIONS

APPROVALS

SUPERVISOR: STORES

HEAD: ASSETS & SUPPLY CHAIN


HEAD: DEPARTMENT

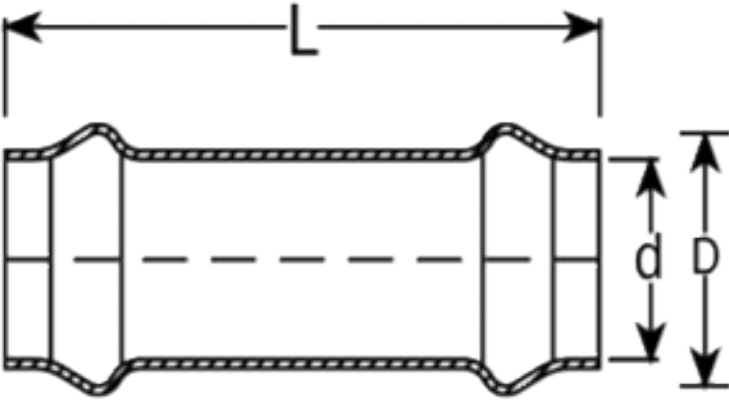
APPROVALS

# STORES STOCK ITEM SPECIFICATION & TECHNICAL DATA SHEET



**BERGRIVIER  
MUNICIPALITY**

	ITEM NUMBER	WTR-0004057
	SHORT DESCRIPTION	UPVC CLASS 12 REPAIR COUPLING - 125MM
	LONG DETAILED DESCRIPTION	UNPLASTICIZED POLYVINYL CHLORIDE CLASS 12 REPAIR COUPLING - 125MM

TECHNICAL DRAWINGS		TECHNICAL SPECIFICATIONS		
		SIZE A (MM)	125MM	
		SIZE B (MM)	N/A	
		SIZE C (MM)	N/A	
		SIZE D	N/A	
		BRAND	N/A	
		MANUFACTURER WARRANTY	N/A	
		MAXIMUM PRESSURE	N/A	
		MINIMUM PRESSURE	N/A	
		MAXIMUM TEMPERATURE (°C)	N/A	
		MINIMUM TEMPERATURE (°C)	N/A	
		THREAD PITCH (MM)	N/A	
		THREAD REACH (MM)	N/A	
		OPERATING TEMPERATURE (°C)	N/A	
EXTERNAL MATERIAL	UPVC	SPECIAL INSTRUCTIONS		
INTERNAL MATERIAL	UPVC			
STORAGE REQUIREMENTS	CLEAN & DRY			
MSDS REQUIRED	N/A			
BOX QUANTITY	EACH			
APPROVALS				APPROVALS
	SUPERVISOR: STORES	HEAD: ASSETS & SUPPLY CHAIN	HEAD: DEPARTMENT	

# STORES STOCK ITEM SPECIFICATION & TECHNICAL DATA SHEET



**BERGRIVIER  
MUNICIPALITY**



ITEM NUMBER

WTR-0004058

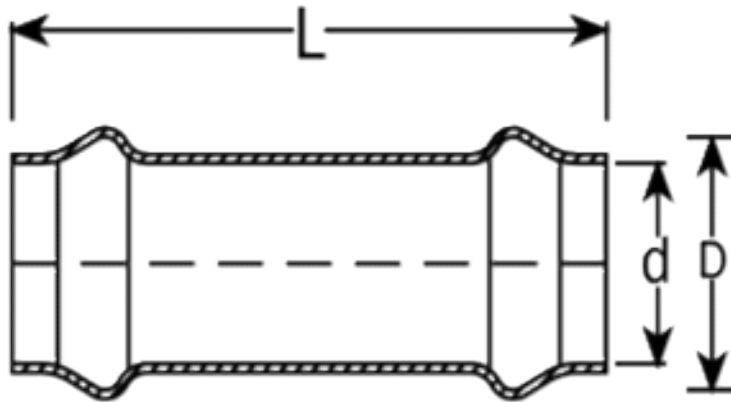
SHORT  
DESCRIPTION

UPVC CLASS 12 REPAIR COUPLING - 160MM

LONG DETAILED  
DESCRIPTION

UNPLASTICIZED POLYVINYL CHLORIDE CLASS 12 REPAIR COUPLING - 160MM

## TECHNICAL DRAWINGS



## TECHNICAL SPECIFICATIONS

SIZE A (MM)	160MM
SIZE B (MM)	N/A
SIZE C (MM)	N/A
SIZE D	N/A
BRAND	N/A
MANUFACTURER WARRANTY	N/A
MAXIMUM PRESSURE	N/A
MINIMUM PRESSURE	N/A
MAXIMUM TEMPERATURE (°C)	N/A
MINIMUM TEMPERATURE (°C)	N/A
THREAD PITCH (MM)	N/A
THREAD REACH (MM)	N/A
OPERATING TEMPERATURE (°C)	N/A

EXTERNAL MATERIAL	UPVC
INTERNAL MATERIAL	UPVC
STORAGE REQUIREMENTS	CLEAN & DRY
MSDS REQUIRED	N/A
BOX QUANTITY	EACH

## SPECIAL INSTRUCTIONS

APPROVALS

SUPERVISOR: STORES

HEAD: ASSETS & SUPPLY CHAIN

HEAD: DEPARTMENT


APPROVALS



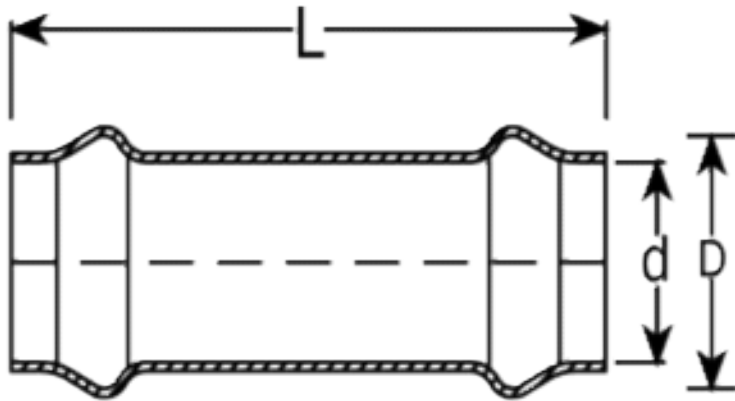
# STORES STOCK ITEM SPECIFICATION & TECHNICAL DATA SHEET



**BERGRIVIER  
MUNICIPALITY**

	ITEM NUMBER	WTR-0004059
	SHORT DESCRIPTION	UPVC CLASS 12 REPAIR COUPLING - 374X394MM
	LONG DETAILED DESCRIPTION	UNPLASTICIZED POLYVINYL CHLORIDE CLASS 12 REPAIR COUPLING - 374X394MM

## TECHNICAL DRAWINGS



## TECHNICAL SPECIFICATIONS

SIZE A (MM)	374MM
SIZE B (MM)	394MM
SIZE C (MM)	N/A
SIZE D	N/A
BRAND	N/A
MANUFACTURER WARRANTY	N/A
MAXIMUM PRESSURE	N/A
MINIMUM PRESSURE	N/A
MAXIMUM TEMPERATURE (°C)	N/A
MINIMUM TEMPERATURE (°C)	N/A
THREAD PITCH (MM)	N/A
THREAD REACH (MM)	N/A
OPERATING TEMPERATURE (°C)	N/A

EXTERNAL MATERIAL	UPVC
INTERNAL MATERIAL	UPVC
STORAGE REQUIREMENTS	CLEAN & DRY
MSDS REQUIRED	N/A
BOX QUANTITY	EACH


## SPECIAL INSTRUCTIONS

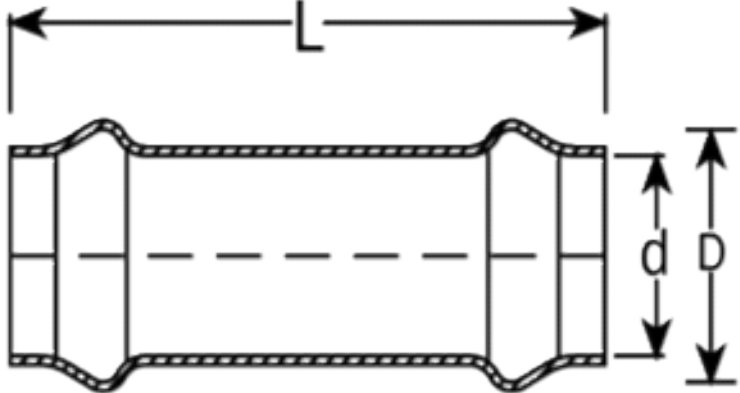
APPROVALS				APPROVALS
	SUPERVISOR: STORES	HEAD: ASSETS & SUPPLY CHAIN	HEAD: DEPARTMENT	

# STORES STOCK ITEM SPECIFICATION & TECHNICAL DATA SHEET



**BERGRIVIER  
MUNICIPALITY**

	ITEM NUMBER	WTR-0004060
	SHORT DESCRIPTION	UPVC CLASS 12 REPAIR COUPLING - 359X372MM
	LONG DETAILED DESCRIPTION	UNPLASTICIZED POLYVINYL CHLORIDE CLASS 12 REPAIR COUPLING - 359X372MM

TECHNICAL DRAWINGS		TECHNICAL SPECIFICATIONS		
		SIZE A (MM)	359MM	
		SIZE B (MM)	372MM	
		SIZE C (MM)	N/A	
		SIZE D	N/A	
		BRAND	N/A	
		MANUFACTURER WARRANTY	N/A	
		MAXIMUM PRESSURE	N/A	
		MINIMUM PRESSURE	N/A	
		MAXIMUM TEMPERATURE (°C)	N/A	
		MINIMUM TEMPERATURE (°C)	N/A	
		THREAD PITCH (MM)	N/A	
		THREAD REACH (MM)	N/A	
		OPERATING TEMPERATURE (°C)	N/A	
EXTERNAL MATERIAL	UPVC	SPECIAL INSTRUCTIONS		
INTERNAL MATERIAL	UPVC			
STORAGE REQUIREMENTS	CLEAN & DRY			
MSDS REQUIRED	N/A			
BOX QUANTITY	EACH			
APPROVALS				APPROVALS
	SUPERVISOR: STORES	HEAD: ASSETS & SUPPLY CHAIN	HEAD: DEPARTMENT	

# STORES STOCK ITEM SPECIFICATION & TECHNICAL DATA SHEET



**BERGRIVIER  
MUNICIPALITY**



ITEM NUMBER

WTR-0004061

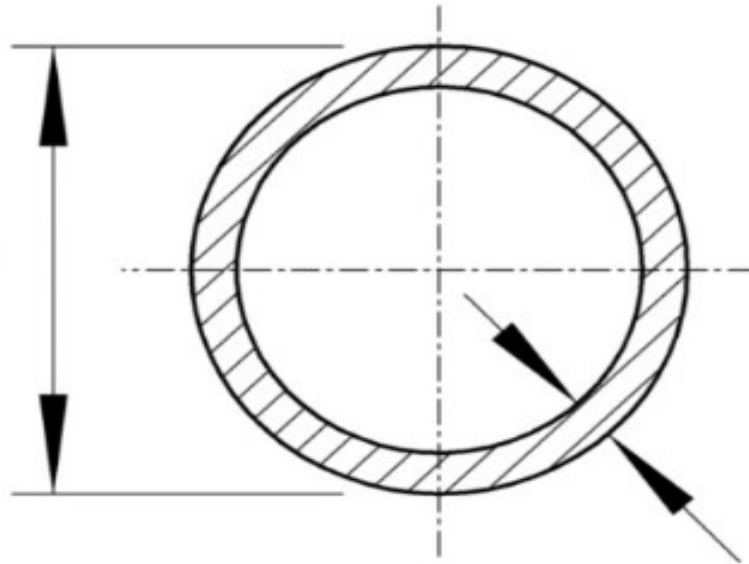
SHORT  
DESCRIPTION

UPVC CLASS 12 PIPE - 200MM

LONG DETAILED  
DESCRIPTION

UNPLASTICIZED POLYVINYL CHLORIDE CLASS 12 PIPE - 200MM

## TECHNICAL DRAWINGS



## TECHNICAL SPECIFICATIONS

SIZE A (MM)	200MM
SIZE B (MM)	N/A
SIZE C (MM)	N/A
SIZE D	N/A
BRAND	N/A
MANUFACTURER WARRANTY	N/A
MAXIMUM PRESSURE	N/A
MINIMUM PRESSURE	N/A
MAXIMUM TEMPERATURE (°C)	N/A
MINIMUM TEMPERATURE (°C)	N/A
THREAD PITCH (MM)	N/A
THREAD REACH (MM)	N/A
OPERATING TEMPERATURE (°C)	N/A

EXTERNAL MATERIAL	UPVC
INTERNAL MATERIAL	UPVC
STORAGE REQUIREMENTS	CLEAN & DRY
MSDS REQUIRED	N/A
BOX QUANTITY	EACH

## SPECIAL INSTRUCTIONS

APPROVALS

SUPERVISOR: STORES

HEAD: ASSETS & SUPPLY CHAIN

HEAD: DEPARTMENT

APPROVALS

# STORES STOCK ITEM SPECIFICATION & TECHNICAL DATA SHEET



**BERGRIVIER  
MUNICIPALITY**



ITEM NUMBER

WTR-0004062

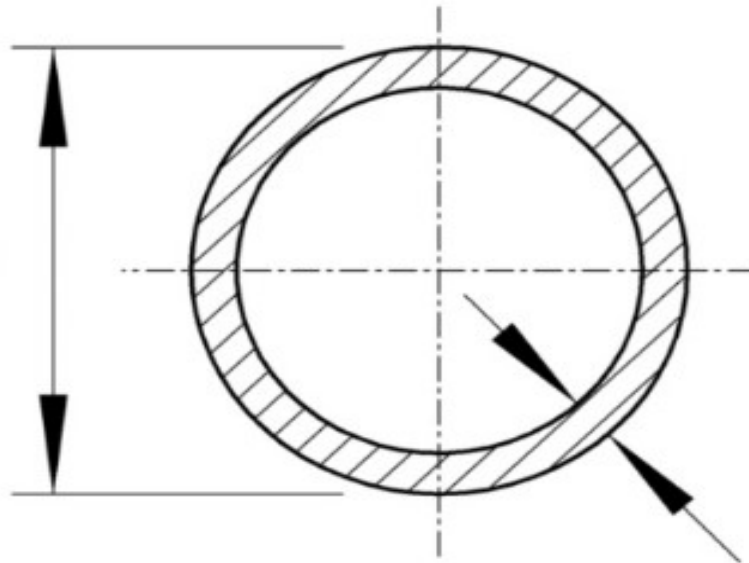
SHORT  
DESCRIPTION

UPVC CLASS 12 PIPE - 315MM

LONG DETAILED  
DESCRIPTION

UNPLASTICIZED POLYVINYL CHLORIDE 12 PIPE - 315MM

## TECHNICAL DRAWINGS



## TECHNICAL SPECIFICATIONS

SIZE A (MM)	315MM
SIZE B (MM)	N/A
SIZE C (MM)	N/A
SIZE D	N/A
BRAND	N/A
MANUFACTURER WARRANTY	N/A
MAXIMUM PRESSURE	N/A
MINIMUM PRESSURE	N/A
MAXIMUM TEMPERATURE (°C)	N/A
MINIMUM TEMPERATURE (°C)	N/A
THREAD PITCH (MM)	N/A
THREAD REACH (MM)	N/A
OPERATING TEMPERATURE (°C)	N/A

EXTERNAL MATERIAL	UPVC
INTERNAL MATERIAL	UPVC
STORAGE REQUIREMENTS	CLEAN & DRY
MSDS REQUIRED	N/A
BOX QUANTITY	EACH

## SPECIAL INSTRUCTIONS

APPROVALS

SUPERVISOR: STORES

HEAD: ASSETS & SUPPLY CHAIN

HEAD: DEPARTMENT

APPROVALS

# STORES STOCK ITEM SPECIFICATION & TECHNICAL DATA SHEET



**BERGRIVIER  
MUNICIPALITY**



ITEM NUMBER

WTR-0004063

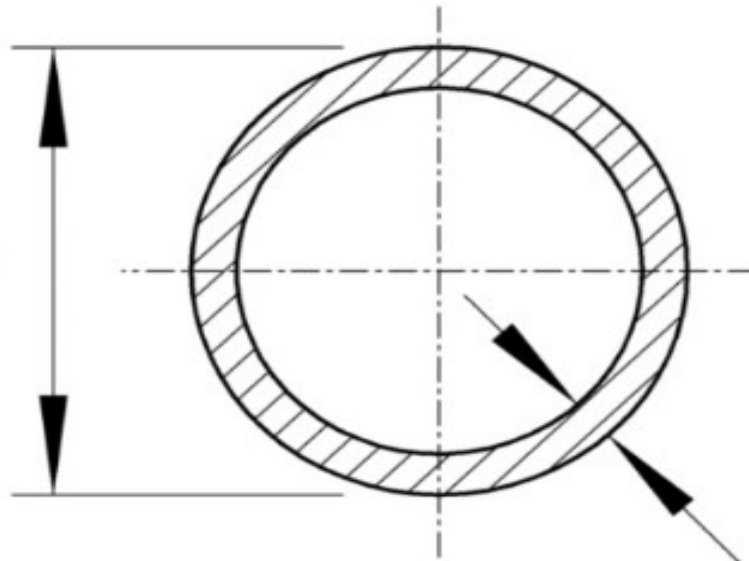
SHORT  
DESCRIPTION

UPVC CLASS 12 REPAIR PIPE - 110MM 4M PLAIN ENDED

LONG DETAILED  
DESCRIPTION

UNPLASTICIZED POLYVINYL CHLORIDE CLASS 12 REPAIR PIPE - 110MM 4M  
PLAIN ENDED

## TECHNICAL DRAWINGS



## TECHNICAL SPECIFICATIONS

SIZE A (MM)	110MM
SIZE B (MM)	N/A
SIZE C (MM)	N/A
SIZE D	N/A
BRAND	N/A
MANUFACTURER WARRANTY	N/A
MAXIMUM PRESSURE	N/A
MINIMUM PRESSURE	N/A
MAXIMUM TEMPERATURE (°C)	N/A
MINIMUM TEMPERATURE (°C)	N/A
THREAD PITCH (MM)	N/A
THREAD REACH (MM)	N/A
OPERATING TEMPERATURE (°C)	N/A

EXTERNAL MATERIAL	UPVC
INTERNAL MATERIAL	UPVC
STORAGE REQUIREMENTS	CLEAN & DRY
MSDS REQUIRED	N/A
BOX QUANTITY	EACH

## SPECIAL INSTRUCTIONS

APPROVALS

SUPERVISOR: STORES

HEAD: ASSETS & SUPPLY CHAIN


HEAD: DEPARTMENT

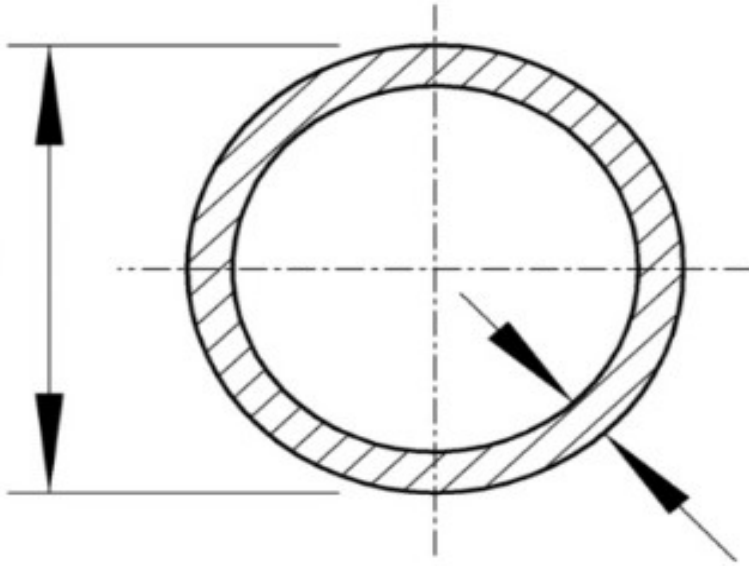
APPROVALS

# STORES STOCK ITEM SPECIFICATION & TECHNICAL DATA SHEET



**BERGRIVIER  
MUNICIPALITY**

	ITEM NUMBER	WTR-0004064
	SHORT DESCRIPTION	UPVC CLASS 12 REPAIR PIPE - 160MM 4M PLAIN ENDED
	LONG DETAILED DESCRIPTION	UNPLASTICIZED POLYVINYL CHLORIDE CLASS 12 REPAIR PIPE - 160MM 4M PLAIN ENDED

TECHNICAL DRAWINGS		TECHNICAL SPECIFICATIONS		
		SIZE A (MM)	160MM	
		SIZE B (MM)	N/A	
		SIZE C (MM)	N/A	
		SIZE D	N/A	
		BRAND	N/A	
		MANUFACTURER WARRANTY	N/A	
		MAXIMUM PRESSURE	N/A	
		MINIMUM PRESSURE	N/A	
		MAXIMUM TEMPERATURE (°C)	N/A	
		MINIMUM TEMPERATURE (°C)	N/A	
		THREAD PITCH (MM)	N/A	
		THREAD REACH (MM)	N/A	
		OPERATING TEMPERATURE (°C)	N/A	
EXTERNAL MATERIAL	UPVC	SPECIAL INSTRUCTIONS		
INTERNAL MATERIAL	UPVC			
STORAGE REQUIREMENTS	CLEAN & DRY			
MSDS REQUIRED	N/A			
BOX QUANTITY	EACH			
APPROVALS				APPROVALS
	SUPERVISOR: STORES	HEAD: ASSETS & SUPPLY CHAIN	HEAD: DEPARTMENT	

# STORES STOCK ITEM SPECIFICATION & TECHNICAL DATA SHEET

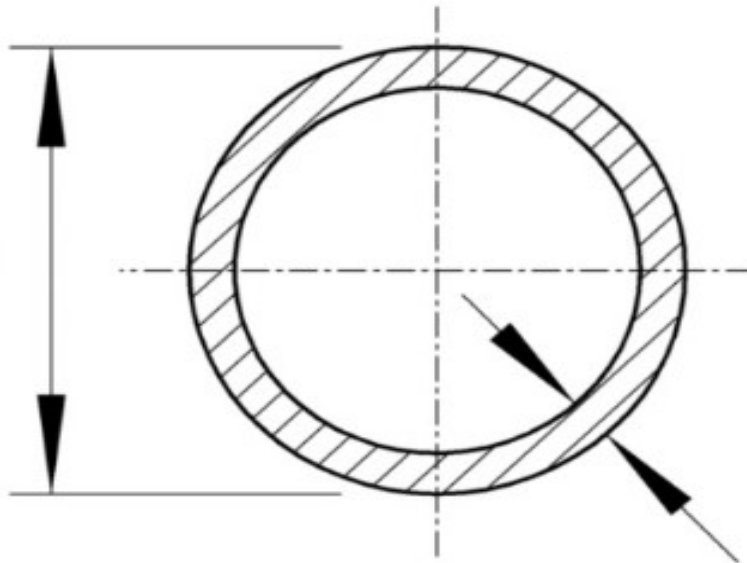


**BERGRIVIER  
MUNICIPALITY**



ITEM NUMBER	WTR-0004065
SHORT DESCRIPTION	UPVC CLASS 12 REPAIR PIPE - 200MM 4M PLAIN ENDED
LONG DETAILED DESCRIPTION	UNPLASTICIZED POLYVINYL CHLORIDE CLASS 12 REPAIR PIPE - 200MM 4M PLAIN ENDED

## TECHNICAL DRAWINGS



## TECHNICAL SPECIFICATIONS

SIZE A (MM)	200MM
SIZE B (MM)	N/A
SIZE C (MM)	N/A
SIZE D	N/A
BRAND	N/A
MANUFACTURER WARRANTY	N/A
MAXIMUM PRESSURE	N/A
MINIMUM PRESSURE	N/A
MAXIMUM TEMPERATURE (°C)	N/A
MINIMUM TEMPERATURE (°C)	N/A
THREAD PITCH (MM)	N/A
THREAD REACH (MM)	N/A
OPERATING TEMPERATURE (°C)	N/A

EXTERNAL MATERIAL	UPVC
INTERNAL MATERIAL	UPVC
STORAGE REQUIREMENTS	CLEAN & DRY
MSDS REQUIRED	N/A
BOX QUANTITY	EACH

## SPECIAL INSTRUCTIONS

APPROVALS				APPROVALS
	SUPERVISOR: STORES	HEAD: ASSETS & SUPPLY CHAIN	HEAD: DEPARTMENT	



# STORES STOCK ITEM SPECIFICATION & TECHNICAL DATA SHEET



**BERGRIVIER  
MUNICIPALITY**



ITEM NUMBER

WTR-0004066

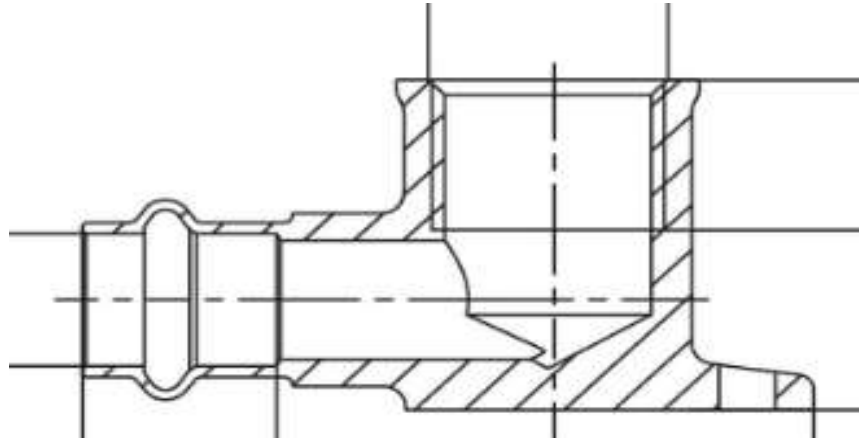
SHORT  
DESCRIPTION

UPVC WALLPLATE ELBOW C X FI 15MM

LONG DETAILED  
DESCRIPTION

UNPLASTICIZED POLYVINYL CHLORIDE WALLPLATE ELBOW C X FI 15MM

## TECHNICAL DRAWINGS



## TECHNICAL SPECIFICATIONS

SIZE A (MM)	15MM
SIZE B (MM)	N/A
SIZE C (MM)	N/A
SIZE D	N/A
BRAND	N/A
MANUFACTURER WARRANTY	N/A
MAXIMUM PRESSURE	N/A
MINIMUM PRESSURE	N/A
MAXIMUM TEMPERATURE (°C)	N/A
MINIMUM TEMPERATURE (°C)	N/A
THREAD PITCH (MM)	N/A
THREAD REACH (MM)	N/A
OPERATING TEMPERATURE (°C)	N/A

EXTERNAL MATERIAL UPVC

INTERNAL MATERIAL UPVC

STORAGE REQUIREMENTS CLEAN & DRY

MSDS REQUIRED N/A

BOX QUANTITY EACH

## SPECIAL INSTRUCTIONS

APPROVALS

SUPERVISOR: STORES

HEAD: ASSETS & SUPPLY CHAIN

HEAD: DEPARTMENT

APPROVALS



# STORES STOCK ITEM SPECIFICATION & TECHNICAL DATA SHEET



**BERGRIVIER  
MUNICIPALITY**



ITEM NUMBER

WTR-0004067

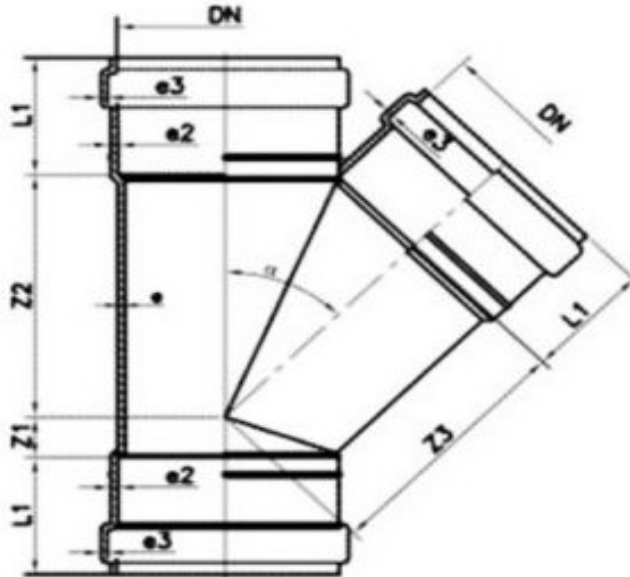
SHORT  
DESCRIPTION

UPVC CLASS 6 Y-JUNCTION - 110MM

LONG DETAILED  
DESCRIPTION

UNPLASTICIZED POLYVINYL CHLORIDE CLASS 6 Y-JUNCTION - 110MM

## TECHNICAL DRAWINGS



## TECHNICAL SPECIFICATIONS

SIZE A (MM)	110MM
SIZE B (MM)	N/A
SIZE C (MM)	N/A
SIZE D	N/A
BRAND	N/A
MANUFACTURER WARRANTY	N/A
MAXIMUM PRESSURE	N/A
MINIMUM PRESSURE	N/A
MAXIMUM TEMPERATURE (°C)	N/A
MINIMUM TEMPERATURE (°C)	N/A
THREAD PITCH (MM)	N/A
THREAD REACH (MM)	N/A
OPERATING TEMPERATURE (°C)	N/A

EXTERNAL MATERIAL	UPVC
INTERNAL MATERIAL	UPVC
STORAGE REQUIREMENTS	CLEAN & DRY
MSDS REQUIRED	N/A
BOX QUANTITY	EACH

## SPECIAL INSTRUCTIONS

APPROVALS

SUPERVISOR: STORES

HEAD: ASSETS & SUPPLY CHAIN

HEAD: DEPARTMENT

APPROVALS

# STORES STOCK ITEM SPECIFICATION & TECHNICAL DATA SHEET



**BERGRIVIER  
MUNICIPALITY**



ITEM NUMBER

WTR-0004068

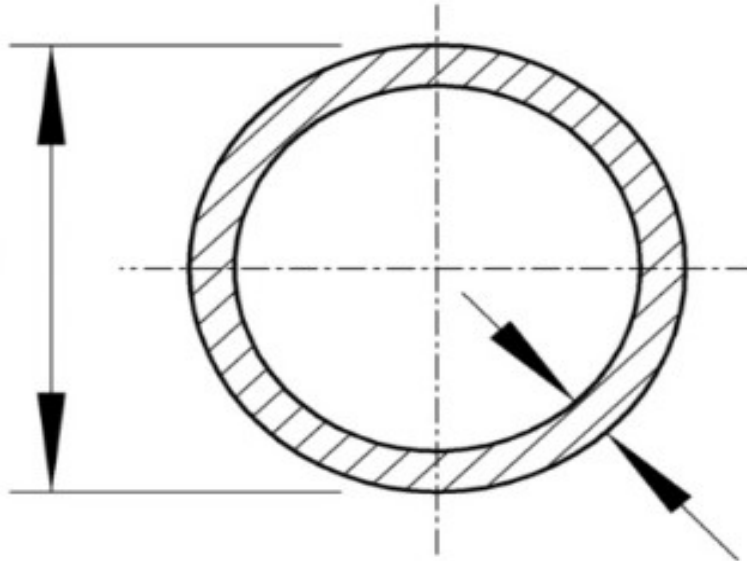
SHORT  
DESCRIPTION

UPVC CLASS 12 PIPE - 250MM

LONG DETAILED  
DESCRIPTION

UNPLASTICIZED POLYVINYL CHLORIDE 12 PIPE - 250MM

## TECHNICAL DRAWINGS



## TECHNICAL SPECIFICATIONS

SIZE A (MM)	250MM
SIZE B (MM)	N/A
SIZE C (MM)	N/A
SIZE D	N/A
BRAND	N/A
MANUFACTURER WARRANTY	N/A
MAXIMUM PRESSURE	N/A
MINIMUM PRESSURE	N/A
MAXIMUM TEMPERATURE (°C)	N/A
MINIMUM TEMPERATURE (°C)	N/A
THREAD PITCH (MM)	N/A
THREAD REACH (MM)	N/A
OPERATING TEMPERATURE (°C)	N/A

EXTERNAL MATERIAL	UPVC
INTERNAL MATERIAL	UPVC
STORAGE REQUIREMENTS	CLEAN & DRY
MSDS REQUIRED	N/A
BOX QUANTITY	EACH

## SPECIAL INSTRUCTIONS

APPROVALS

SUPERVISOR: STORES

HEAD: ASSETS & SUPPLY CHAIN

HEAD: DEPARTMENT

APPROVALS

# STORES STOCK ITEM SPECIFICATION & TECHNICAL DATA SHEET



**BERGRIVIER  
MUNICIPALITY**



ITEM NUMBER

WTR-0004069

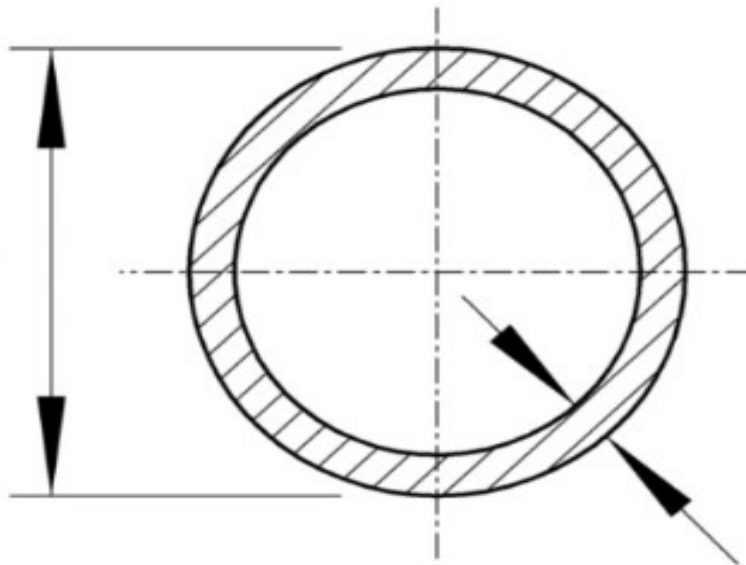
SHORT  
DESCRIPTION

UPVC CLASS 12 REPAIR PIPE - 250MM 4M PLAIN ENDED

LONG DETAILED  
DESCRIPTION

UNPLASTICIZED POLYVINYL CHLORIDE CLASS 12 REPAIR PIPE - 250MM 4M  
PLAIN ENDED

## TECHNICAL DRAWINGS



## TECHNICAL SPECIFICATIONS

SIZE A (MM)	250MM
SIZE B (MM)	N/A
SIZE C (MM)	N/A
SIZE D	N/A
BRAND	N/A
MANUFACTURER WARRANTY	N/A
MAXIMUM PRESSURE	N/A
MINIMUM PRESSURE	N/A
MAXIMUM TEMPERATURE (°C)	N/A
MINIMUM TEMPERATURE (°C)	N/A
THREAD PITCH (MM)	N/A
THREAD REACH (MM)	N/A
OPERATING TEMPERATURE (°C)	N/A

EXTERNAL MATERIAL	UPVC
INTERNAL MATERIAL	UPVC
STORAGE REQUIREMENTS	CLEAN & DRY
MSDS REQUIRED	N/A
BOX QUANTITY	EACH

## SPECIAL INSTRUCTIONS

APPROVALS

SUPERVISOR: STORES

HEAD: ASSETS & SUPPLY CHAIN

HEAD: DEPARTMENT

APPROVALS

# STORES STOCK ITEM SPECIFICATION & TECHNICAL DATA SHEET



**BERGRIVIER  
MUNICIPALITY**



ITEM NUMBER

WTR-0004070

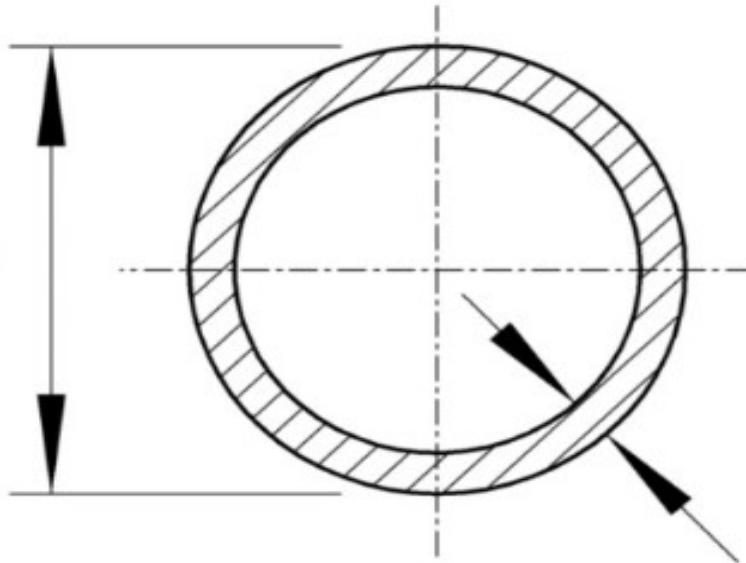
SHORT  
DESCRIPTION

UPVC CLASS 12 ADAPTOR - 200MM

LONG DETAILED  
DESCRIPTION

UNPLASTICIZED POLYVINYL CHLORIDE CLASS 12 ADAPTOR - 200MM

## TECHNICAL DRAWINGS



## TECHNICAL SPECIFICATIONS

SIZE A (MM)	200MM
SIZE B (MM)	N/A
SIZE C (MM)	N/A
SIZE D	N/A
BRAND	N/A
MANUFACTURER WARRANTY	N/A
MAXIMUM PRESSURE	N/A
MINIMUM PRESSURE	N/A
MAXIMUM TEMPERATURE (°C)	N/A
MINIMUM TEMPERATURE (°C)	N/A
THREAD PITCH (MM)	N/A
THREAD REACH (MM)	N/A
OPERATING TEMPERATURE (°C)	N/A

EXTERNAL MATERIAL	UPVC
INTERNAL MATERIAL	UPVC
STORAGE REQUIREMENTS	CLEAN & DRY
MSDS REQUIRED	N/A
BOX QUANTITY	EACH

## SPECIAL INSTRUCTIONS

APPROVALS

SUPERVISOR: STORES

HEAD: ASSETS & SUPPLY CHAIN

HEAD: DEPARTMENT

APPROVALS

# STORES STOCK ITEM SPECIFICATION & TECHNICAL DATA SHEET

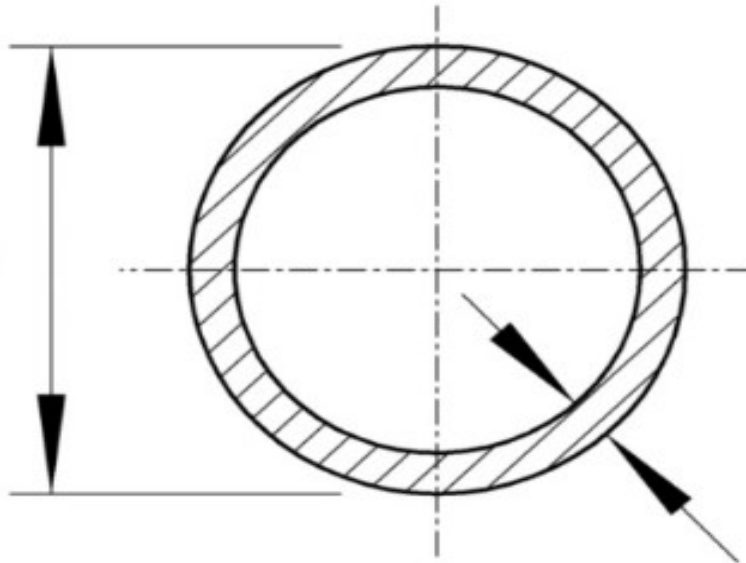


**BERGRIVIER  
MUNICIPALITY**



ITEM NUMBER	WTR-0004071
SHORT DESCRIPTION	160MM X 110MM UNDERGROUND Y SADDLE
LONG DETAILED DESCRIPTION	160MM X 110MM UNDERGROUND Y SADDLE

## TECHNICAL DRAWINGS



## TECHNICAL SPECIFICATIONS

SIZE A (MM)	160MM
SIZE B (MM)	110MM
SIZE C (MM)	N/A
SIZE D	N/A
BRAND	N/A
MANUFACTURER WARRANTY	N/A
MAXIMUM PRESSURE	N/A
MINIMUM PRESSURE	N/A
MAXIMUM TEMPERATURE (°C)	N/A
MINIMUM TEMPERATURE (°C)	N/A
THREAD PITCH (MM)	N/A
THREAD REACH (MM)	N/A
OPERATING TEMPERATURE (°C)	N/A

EXTERNAL MATERIAL	UPVC
INTERNAL MATERIAL	UPVC
STORAGE REQUIREMENTS	CLEAN & DRY
MSDS REQUIRED	N/A
BOX QUANTITY	EACH

## SPECIAL INSTRUCTIONS

APPROVALS

SUPERVISOR: STORES

HEAD: ASSETS & SUPPLY CHAIN

HEAD: DEPARTMENT

APPROVALS

# STORES STOCK ITEM SPECIFICATION & TECHNICAL DATA SHEET

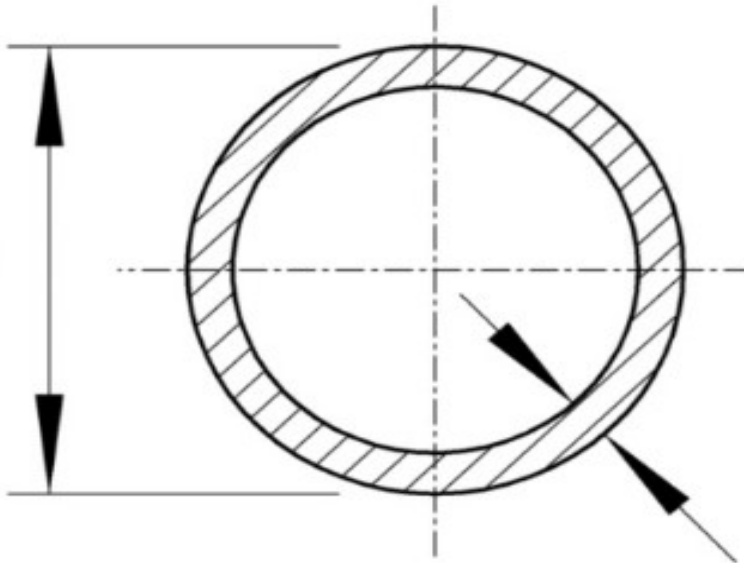


**BERGRIVIER  
MUNICIPALITY**



ITEM NUMBER	WTR-0004069
SHORT DESCRIPTION	UPVC CLASS 12 REPAIR PIPE - 250MM 4M PLAIN ENDED
LONG DETAILED DESCRIPTION	UNPLASTICIZED POLYVINYL CHLORIDE CLASS 12 REPAIR PIPE - 250MM 4M PLAIN ENDED

## TECHNICAL DRAWINGS



## TECHNICAL SPECIFICATIONS

SIZE A (MM)	250MM
SIZE B (MM)	N/A
SIZE C (MM)	N/A
SIZE D	N/A
BRAND	N/A
MANUFACTURER WARRANTY	N/A
MAXIMUM PRESSURE	N/A
MINIMUM PRESSURE	N/A
MAXIMUM TEMPERATURE (°C)	N/A
MINIMUM TEMPERATURE (°C)	N/A
THREAD PITCH (MM)	N/A
THREAD REACH (MM)	N/A
OPERATING TEMPERATURE (°C)	N/A

EXTERNAL MATERIAL	UPVC
INTERNAL MATERIAL	UPVC
STORAGE REQUIREMENTS	CLEAN & DRY
MSDS REQUIRED	N/A
BOX QUANTITY	EACH

## SPECIAL INSTRUCTIONS

APPROVALS

SUPERVISOR: STORES

HEAD: ASSETS & SUPPLY CHAIN

HEAD: DEPARTMENT

APPROVALS

# STORES STOCK ITEM SPECIFICATION & TECHNICAL DATA SHEET



**BERGRIVIER  
MUNICIPALITY**



ITEM NUMBER

WTR-0004073

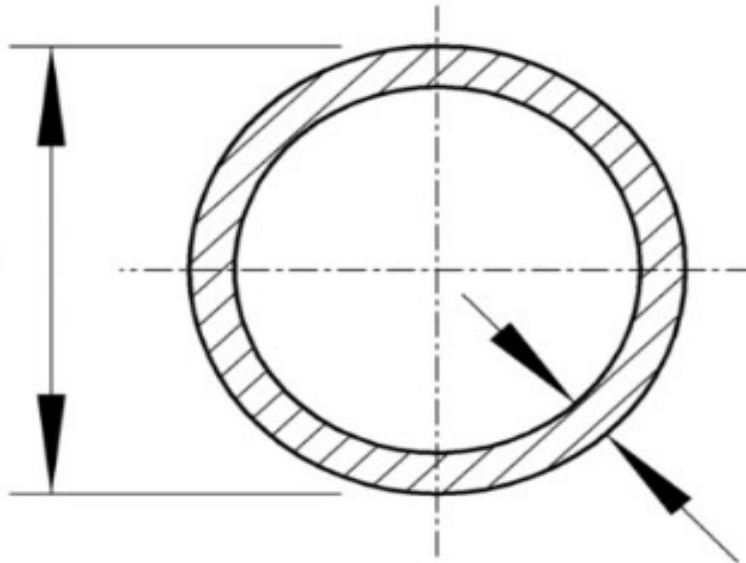
SHORT  
DESCRIPTION

UPVC CLASS 6 110MM SEWER 45 DEG BEND

LONG DETAILED  
DESCRIPTION

UNPLASTICIZED POLYVINYL CHLORIDE CLASS 6 110MM SEWER 45 DEGREE  
BEND

## TECHNICAL DRAWINGS



## TECHNICAL SPECIFICATIONS

SIZE A (MM)	110MM
SIZE B (MM)	110MM
SIZE C (MM)	N/A
SIZE D	N/A
BRAND	N/A
MANUFACTURER WARRANTY	N/A
MAXIMUM PRESSURE	N/A
MINIMUM PRESSURE	N/A
MAXIMUM TEMPERATURE (°C)	N/A
MINIMUM TEMPERATURE (°C)	N/A
THREAD PITCH (MM)	N/A
THREAD REACH (MM)	N/A
OPERATING TEMPERATURE (°C)	N/A

EXTERNAL MATERIAL	UPVC
INTERNAL MATERIAL	UPVC
STORAGE REQUIREMENTS	CLEAN & DRY
MSDS REQUIRED	N/A
BOX QUANTITY	EACH

## SPECIAL INSTRUCTIONS

APPROVALS

SUPERVISOR: STORES

HEAD: ASSETS & SUPPLY CHAIN

HEAD: DEPARTMENT

APPROVALS



# STORES STOCK ITEM SPECIFICATION & TECHNICAL DATA SHEET

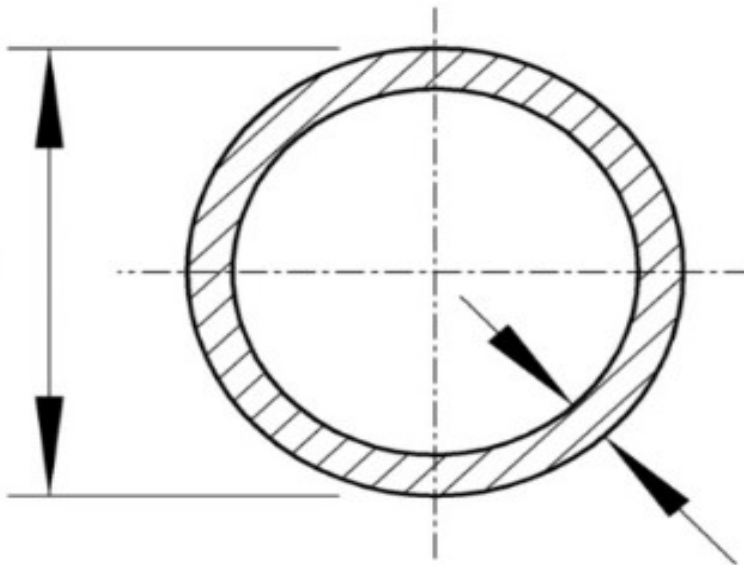


**BERGRIVIER  
MUNICIPALITY**



ITEM NUMBER	WTR-0004074
SHORT DESCRIPTION	UPVC CLASS 6 110MM SEWER 90 DEG BEND
LONG DETAILED DESCRIPTION	UNPLASTICIZED POLYVINYL CHLORIDE CLASS 6 110MM SEWER 90 DEGREE BEND

## TECHNICAL DRAWINGS



## TECHNICAL SPECIFICATIONS

SIZE A (MM)	110MM
SIZE B (MM)	110MM
SIZE C (MM)	N/A
SIZE D	N/A
BRAND	N/A
MANUFACTURER WARRANTY	N/A
MAXIMUM PRESSURE	N/A
MINIMUM PRESSURE	N/A
MAXIMUM TEMPERATURE (°C)	N/A
MINIMUM TEMPERATURE (°C)	N/A
THREAD PITCH (MM)	N/A
THREAD REACH (MM)	N/A
OPERATING TEMPERATURE (°C)	N/A

EXTERNAL MATERIAL	UPVC
INTERNAL MATERIAL	UPVC
STORAGE REQUIREMENTS	CLEAN & DRY
MSDS REQUIRED	N/A
BOX QUANTITY	EACH

## SPECIAL INSTRUCTIONS

APPROVALS

SUPERVISOR: STORES

HEAD: ASSETS & SUPPLY CHAIN

HEAD: DEPARTMENT

APPROVALS



# STORES STOCK ITEM SPECIFICATION & TECHNICAL DATA SHEET



**BERGRIVIER  
MUNICIPALITY**



ITEM NUMBER

WTR-0004073

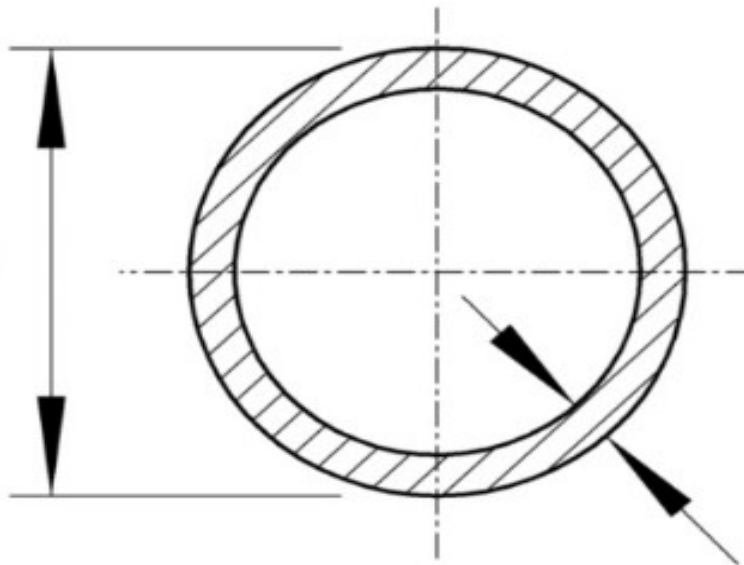
SHORT  
DESCRIPTION

UPVC CLASS 6 160MM SEWER 45 DEG BEND

LONG DETAILED  
DESCRIPTION

UNPLASTICIZED POLYVINYL CHLORIDE CLASS 6 160MM SEWER 45 DEGREE  
BEND

## TECHNICAL DRAWINGS



## TECHNICAL SPECIFICATIONS

SIZE A (MM)	160MM
SIZE B (MM)	160MM
SIZE C (MM)	N/A
SIZE D	N/A
BRAND	N/A
MANUFACTURER WARRANTY	N/A
MAXIMUM PRESSURE	N/A
MINIMUM PRESSURE	N/A
MAXIMUM TEMPERATURE (°C)	N/A
MINIMUM TEMPERATURE (°C)	N/A
THREAD PITCH (MM)	N/A
	N/A
OPERATING TEMPERATURE (°C)	N/A

EXTERNAL MATERIAL	UPVC
INTERNAL MATERIAL	UPVC
STORAGE REQUIREMENTS	CLEAN & DRY
MSDS REQUIRED	N/A
BOX QUANTITY	EACH

## SPECIAL INSTRUCTIONS

APPROVALS

SUPERVISOR: STORES

HEAD: ASSETS & SUPPLY CHAIN

HEAD: DEPARTMENT

APPROVALS

# STORES STOCK ITEM SPECIFICATION & TECHNICAL DATA SHEET



**BERGRIVIER  
MUNICIPALITY**



ITEM NUMBER

WTR-0004073

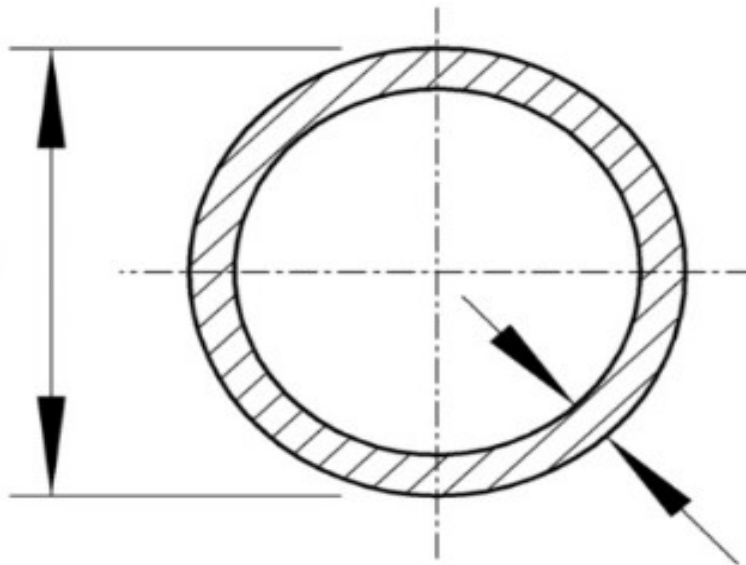
SHORT  
DESCRIPTION

UPVC CLASS 6 160MM SEWER 90 DEG BEND

LONG DETAILED  
DESCRIPTION

UNPLASTICIZED POLYVINYL CHLORIDE CLASS 6 160MM SEWER 90 DEGREE  
BEND

## TECHNICAL DRAWINGS



## TECHNICAL SPECIFICATIONS

SIZE A (MM)	160MM
SIZE B (MM)	160MM
SIZE C (MM)	N/A
SIZE D	N/A
BRAND	N/A
MANUFACTURER WARRANTY	N/A
MAXIMUM PRESSURE	N/A
MINIMUM PRESSURE	N/A
MAXIMUM TEMPERATURE (°C)	N/A
MINIMUM TEMPERATURE (°C)	N/A
THREAD PITCH (MM)	N/A
THREAD REACH (MM)	N/A
OPERATING TEMPERATURE (°C)	N/A

EXTERNAL MATERIAL	UPVC
INTERNAL MATERIAL	UPVC
STORAGE REQUIREMENTS	CLEAN & DRY
MSDS REQUIRED	N/A
BOX QUANTITY	EACH

## SPECIAL INSTRUCTIONS

APPROVALS

SUPERVISOR: STORES

HEAD: ASSETS & SUPPLY CHAIN


HEAD: DEPARTMENT

APPROVALS

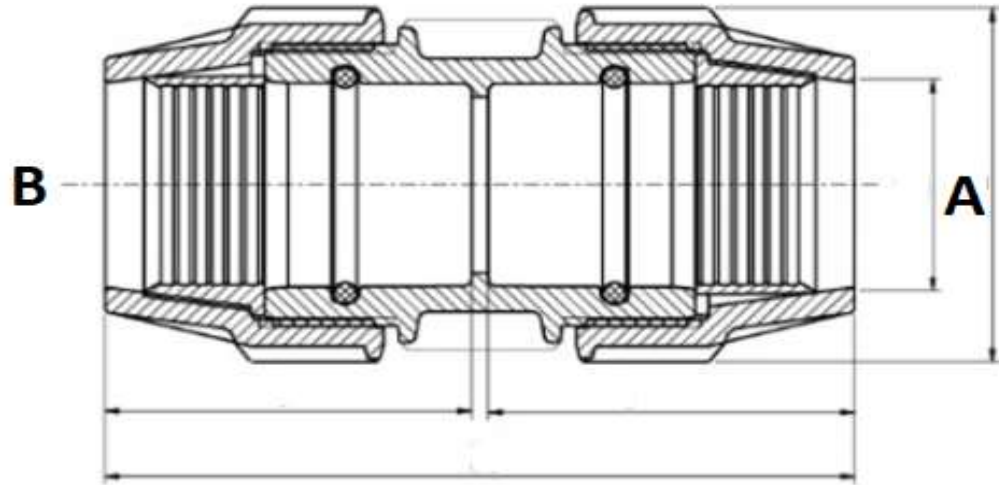
# STORES STOCK ITEM SPECIFICATION & TECHNICAL DATA SHEET



**BERGRIVIER  
MUNICIPALITY**

	ITEM NUMBER	WTR-0004077
	SHORT DESCRIPTION	HDPE COMP COUPLER CXC - 20MM
	LONG DETAILED DESCRIPTION	HIGH-DENSITY POLYTHYLENE COMP COUPLER C X C - 20MM

## TECHNICAL DRAWINGS



## TECHNICAL SPECIFICATIONS

SIZE A (MM)	20MM
SIZE B (MM)	20MM
SIZE C (MM)	N/A
SIZE D	N/A
BRAND	N/A
MANUFACTURER WARRANTY	N/A
MAXIMUM PRESSURE	N/A
MINIMUM PRESSURE	N/A
MAXIMUM TEMPERATURE (°C)	N/A
MINIMUM TEMPERATURE (°C)	N/A
THREAD PITCH (MM)	N/A
THREAD REACH (MM)	N/A
OPERATING TEMPERATURE (°C)	N/A

EXTERNAL MATERIAL	HIGH DENSITY POLYETHYLENE
INTERNAL MATERIAL	HIGH DENSITY POLYETHYLENE
STORAGE REQUIREMENTS	CLEAN & DRY
MSDS REQUIRED	N/A
BOX QUANTITY	EACH

## SPECIAL INSTRUCTIONS

APPROVALS		
	SUPERVISOR: STORES	HEAD: ASSETS & SUPPLY CHAIN

	APPROVALS
HEAD: DEPARTMENT	

# STORES STOCK ITEM SPECIFICATION & TECHNICAL DATA SHEET

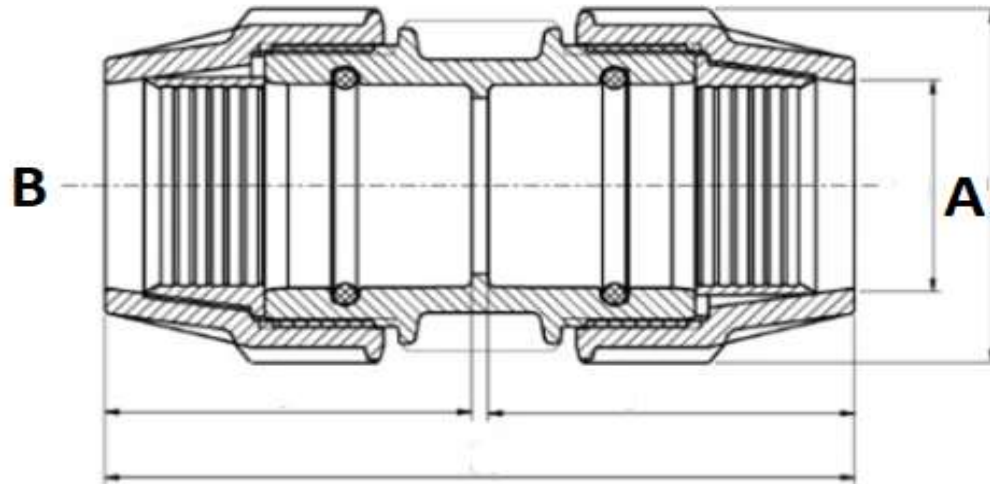


**BERGRIVIER  
MUNICIPALITY**



ITEM NUMBER	WTR-0004078
SHORT DESCRIPTION	HDPE COMP COUPLER CXC - 25MM
LONG DETAILED DESCRIPTION	HIGH-DENSITY POLYTHYLENE COMP COUPLER C X C - 25MM

## TECHNICAL DRAWINGS



## TECHNICAL SPECIFICATIONS

SIZE A (MM)	25MM
SIZE B (MM)	25MM
SIZE C (MM)	N/A
SIZE D	N/A
BRAND	N/A
MANUFACTURER WARRANTY	N/A
MAXIMUM PRESSURE	N/A
MINIMUM PRESSURE	N/A
MAXIMUM TEMPERATURE (°C)	N/A
MINIMUM TEMPERATURE (°C)	N/A
THREAD PITCH (MM)	N/A
THREAD REACH (MM)	N/A
OPERATING TEMPERATURE (°C)	N/A

EXTERNAL MATERIAL	HIGH DENSITY POLYETHYLENE
INTERNAL MATERIAL	HIGH DENSITY POLYETHYLENE
STORAGE REQUIREMENTS	CLEAN & DRY
MSDS REQUIRED	N/A
BOX QUANTITY	EACH

## SPECIAL INSTRUCTIONS

APPROVALS				APPROVALS
	SUPERVISOR: STORES	HEAD: ASSETS & SUPPLY CHAIN	HEAD: DEPARTMENT	

# STORES STOCK ITEM SPECIFICATION & TECHNICAL DATA SHEET



**BERGRIVIER  
MUNICIPALITY**



ITEM NUMBER

WTR-0004079

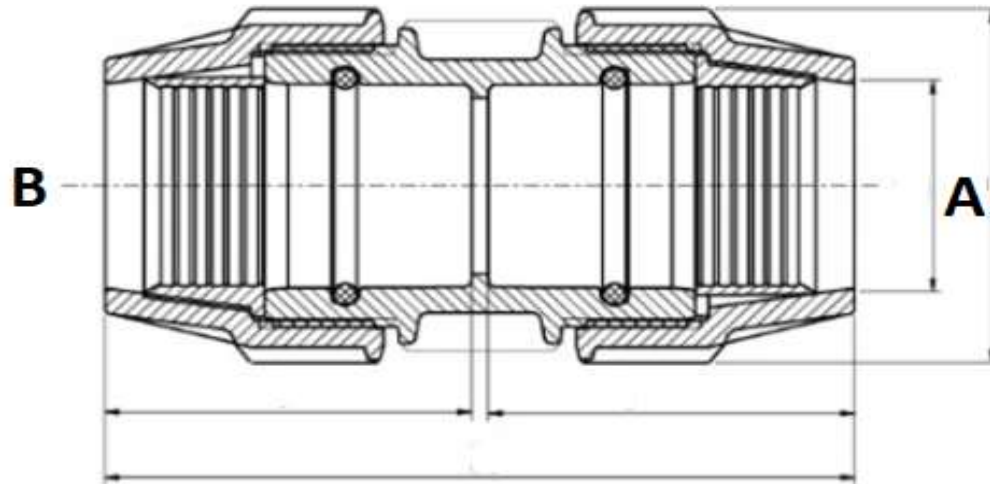
SHORT  
DESCRIPTION

HDPE COMP COUPLER CXC - 32MM

LONG DETAILED  
DESCRIPTION

HIGH-DENSITY POLYTHYLENE COMP COUPLER C X C - 32MM

## TECHNICAL DRAWINGS



## TECHNICAL SPECIFICATIONS

SIZE A (MM)	32MM
SIZE B (MM)	32MM
SIZE C (MM)	N/A
SIZE D	N/A
BRAND	N/A
MANUFACTURER WARRANTY	N/A
MAXIMUM PRESSURE	N/A
MINIMUM PRESSURE	N/A
MAXIMUM TEMPERATURE (°C)	N/A
MINIMUM TEMPERATURE (°C)	N/A
THREAD PITCH (MM)	N/A
THREAD REACH (MM)	N/A
OPERATING TEMPERATURE (°C)	N/A

EXTERNAL MATERIAL	HIGH DENSITY POLYETHYLENE
INTERNAL MATERIAL	HIGH DENSITY POLYETHYLENE
STORAGE REQUIREMENTS	CLEAN & DRY
MSDS REQUIRED	N/A
BOX QUANTITY	EACH

## SPECIAL INSTRUCTIONS

APPROVALS

SUPERVISOR: STORES

HEAD: ASSETS & SUPPLY CHAIN


HEAD: DEPARTMENT

APPROVALS

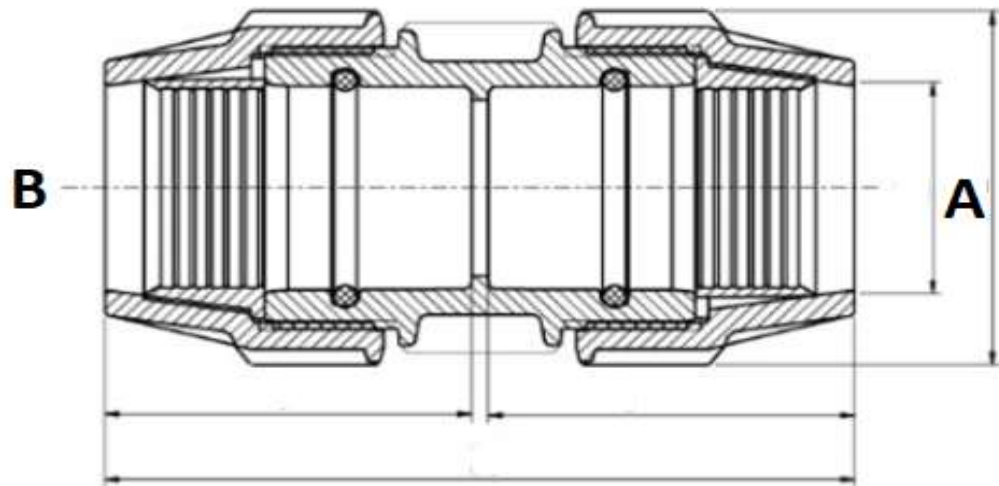
# STORES STOCK ITEM SPECIFICATION & TECHNICAL DATA SHEET



**BERGRIVIER  
MUNICIPALITY**

	ITEM NUMBER	WTR-0004080
	SHORT DESCRIPTION	HDPE COMP COUPLER CXC - 40MM
	LONG DETAILED DESCRIPTION	HIGH-DENSITY POLYTHYLENE COMP COUPLER C X C - 40MM

## TECHNICAL DRAWINGS



## TECHNICAL SPECIFICATIONS

SIZE A (MM)	40MM
SIZE B (MM)	40MM
SIZE C (MM)	N/A
SIZE D	N/A
BRAND	N/A
MANUFACTURER WARRANTY	N/A
MAXIMUM PRESSURE	N/A
MINIMUM PRESSURE	N/A
MAXIMUM TEMPERATURE (°C)	N/A
MINIMUM TEMPERATURE (°C)	N/A
THREAD PITCH (MM)	N/A
THREAD REACH (MM)	N/A
OPERATING TEMPERATURE (°C)	N/A

EXTERNAL MATERIAL	HIGH DENSITY POLYETHYLENE
INTERNAL MATERIAL	HIGH DENSITY POLYETHYLENE
STORAGE REQUIREMENTS	CLEAN & DRY
MSDS REQUIRED	N/A
BOX QUANTITY	EACH

## SPECIAL INSTRUCTIONS

APPROVALS		
	SUPERVISOR: STORES	HEAD: ASSETS & SUPPLY CHAIN

	APPROVALS
HEAD: DEPARTMENT	

# STORES STOCK ITEM SPECIFICATION & TECHNICAL DATA SHEET



**BERGRIVIER  
MUNICIPALITY**



ITEM NUMBER

WTR-0004081

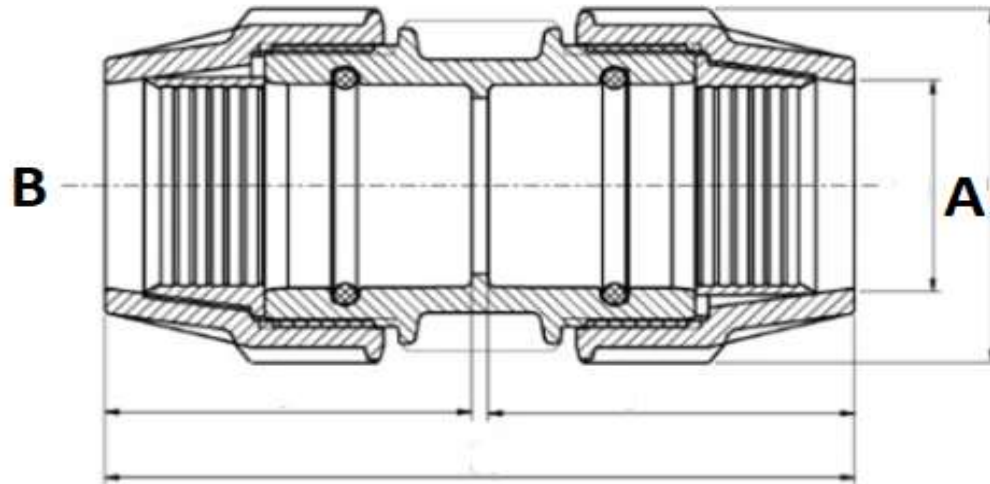
SHORT  
DESCRIPTION

HDPE COMP COUPLER CXC - 63MM

LONG DETAILED  
DESCRIPTION

HIGH-DENSITY POLYTHYLENE COMP COUPLER C X C - 63MM

## TECHNICAL DRAWINGS



## TECHNICAL SPECIFICATIONS

SIZE A (MM)	63MM
SIZE B (MM)	63MM
SIZE C (MM)	N/A
SIZE D	N/A
BRAND	N/A
MANUFACTURER WARRANTY	N/A
MAXIMUM PRESSURE	N/A
MINIMUM PRESSURE	N/A
MAXIMUM TEMPERATURE (°C)	N/A
MINIMUM TEMPERATURE (°C)	N/A
THREAD PITCH (MM)	N/A
THREAD REACH (MM)	N/A
OPERATING TEMPERATURE (°C)	N/A

EXTERNAL MATERIAL	HIGH DENSITY POLYETHYLENE
INTERNAL MATERIAL	HIGH DENSITY POLYETHYLENE
STORAGE REQUIREMENTS	CLEAN & DRY
MSDS REQUIRED	N/A
BOX QUANTITY	EACH

## SPECIAL INSTRUCTIONS

APPROVALS

SUPERVISOR: STORES

HEAD: ASSETS & SUPPLY CHAIN

HEAD: DEPARTMENT

APPROVALS



# STORES STOCK ITEM SPECIFICATION & TECHNICAL DATA SHEET

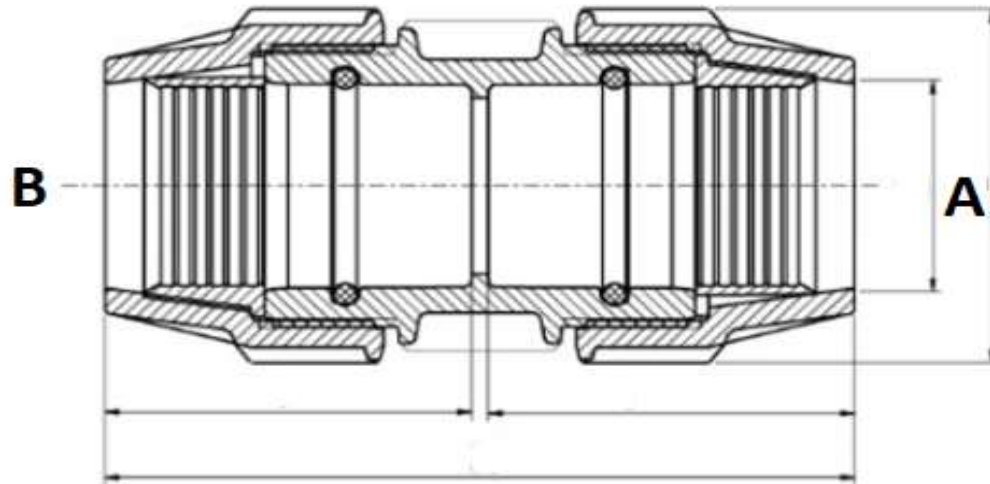


**BERGRIVIER  
MUNICIPALITY**



ITEM NUMBER	WTR-0004082
SHORT DESCRIPTION	HDPE COMP COUPLER CXC - 75MM
LONG DETAILED DESCRIPTION	HIGH-DENSITY POLYTHYLENE COMP COUPLER C X C - 75MM

## TECHNICAL DRAWINGS



## TECHNICAL SPECIFICATIONS

SIZE A (MM)	75MM
SIZE B (MM)	75MM
SIZE C (MM)	N/A
SIZE D	N/A
BRAND	N/A
MANUFACTURER WARRANTY	N/A
MAXIMUM PRESSURE	N/A
MINIMUM PRESSURE	N/A
MAXIMUM TEMPERATURE (°C)	N/A
MINIMUM TEMPERATURE (°C)	N/A
THREAD PITCH (MM)	N/A
THREAD REACH (MM)	N/A
OPERATING TEMPERATURE (°C)	N/A

EXTERNAL MATERIAL	HIGH DENSITY POLYETHYLENE
INTERNAL MATERIAL	HIGH DENSITY POLYETHYLENE
STORAGE REQUIREMENTS	CLEAN & DRY
MSDS REQUIRED	N/A
BOX QUANTITY	EACH

## SPECIAL INSTRUCTIONS

APPROVALS

SUPERVISOR: STORES

HEAD: ASSETS & SUPPLY CHAIN

HEAD: DEPARTMENT

APPROVALS



# STORES STOCK ITEM SPECIFICATION & TECHNICAL DATA SHEET

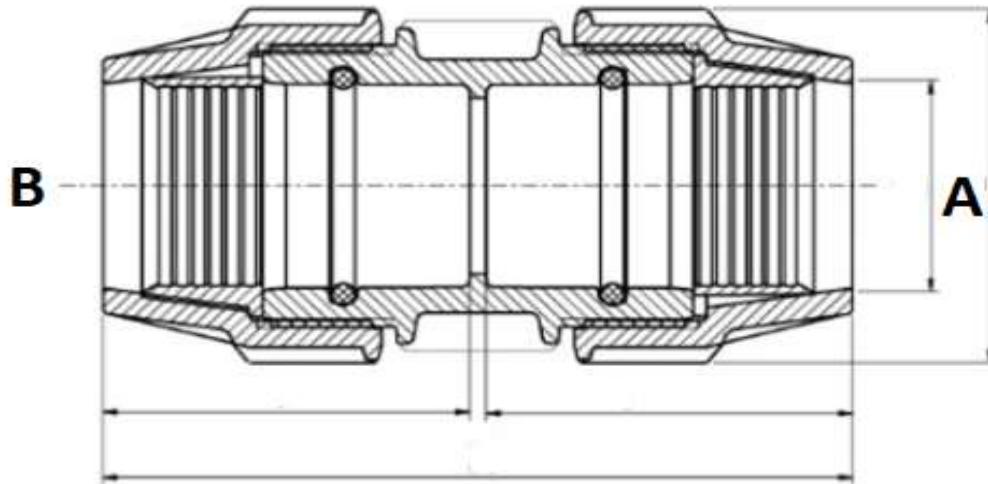


**BERGRIVIER  
MUNICIPALITY**



ITEM NUMBER	WTR-0004083
SHORT DESCRIPTION	HDPE COMP COUPLER CXC - 90MM
LONG DETAILED DESCRIPTION	HIGH-DENSITY POLYTHYLENE COMP COUPLER C X C - 90MM

## TECHNICAL DRAWINGS



## TECHNICAL SPECIFICATIONS

SIZE A (MM)	90MM
SIZE B (MM)	90MM
SIZE C (MM)	N/A
SIZE D	N/A
BRAND	N/A
MANUFACTURER WARRANTY	N/A
MAXIMUM PRESSURE	N/A
MINIMUM PRESSURE	N/A
MAXIMUM TEMPERATURE (°C)	N/A
MINIMUM TEMPERATURE (°C)	N/A
THREAD PITCH (MM)	N/A
THREAD REACH (MM)	N/A
OPERATING TEMPERATURE (°C)	N/A

EXTERNAL MATERIAL	HIGH DENSITY POLYETHYLENE
INTERNAL MATERIAL	HIGH DENSITY POLYETHYLENE
STORAGE REQUIREMENTS	CLEAN & DRY
MSDS REQUIRED	N/A
BOX QUANTITY	EACH

## SPECIAL INSTRUCTIONS

APPROVALS				APPROVALS
	SUPERVISOR: STORES	HEAD: ASSETS & SUPPLY CHAIN	HEAD: DEPARTMENT	

# STORES STOCK ITEM SPECIFICATION & TECHNICAL DATA SHEET



**BERGRIVIER  
MUNICIPALITY**



ITEM NUMBER

WTR-0004084

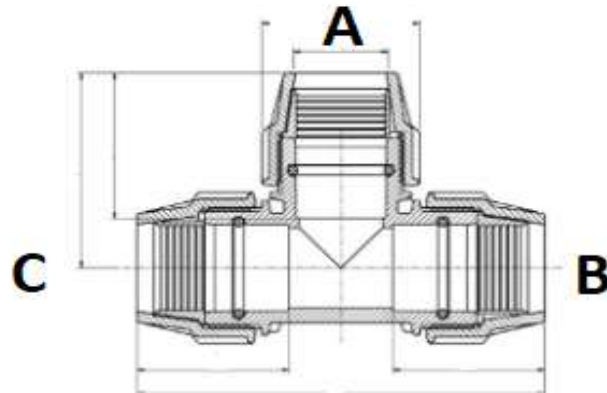
SHORT  
DESCRIPTION

HDPE COMP TEE CXCXC - 20MM

LONG DETAILED  
DESCRIPTION

HIGH-DENSITY POLYTHYLENE COMPRESSION T-PIECE COPPER X COPPER X  
COPPER - 20MM

## TECHNICAL DRAWINGS



## TECHNICAL SPECIFICATIONS

SIZE A (MM)	20
SIZE B (MM)	20
SIZE C (MM)	20
SIZE D	N/A
BRAND	N/A
MANUFACTURER WARRANTY	N/A
MAXIMUM PRESSURE	N/A
MINIMUM PRESSURE	N/A
MAXIMUM TEMPERATURE (°C)	N/A
MINIMUM TEMPERATURE (°C)	N/A
THREAD PITCH (MM)	N/A
THREAD REACH (MM)	N/A
OPERATING TEMPERATURE (°C)	N/A

EXTERNAL MATERIAL	HIGH DENSITY POLYETHYLENE
INTERNAL MATERIAL	HIGH DENSITY POLYETHYLENE
STORAGE REQUIREMENTS	CLEAN & DRY
MSDS REQUIRED	N/A
BOX QUANTITY	EACH

## SPECIAL INSTRUCTIONS

APPROVALS

SUPERVISOR: STORES

HEAD: ASSETS & SUPPLY CHAIN

HEAD: DEPARTMENT

APPROVALS

# STORES STOCK ITEM SPECIFICATION & TECHNICAL DATA SHEET



**BERGRIVIER  
MUNICIPALITY**



ITEM NUMBER

WTR-0004085

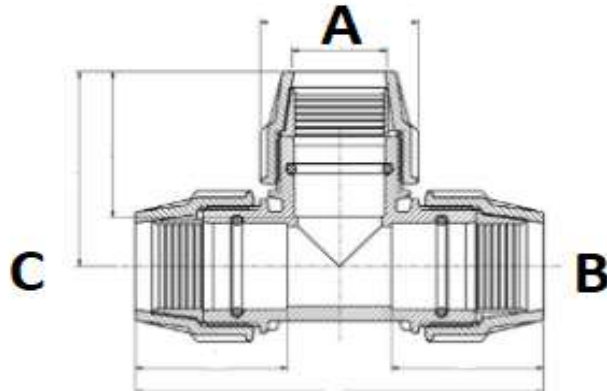
SHORT  
DESCRIPTION

HDPE COMP TEE CXCXC - 25MM

LONG DETAILED  
DESCRIPTION

HIGH-DENSITY POLYTHYLENE COMPRESSION T-PIECE COPPER X COPPER X  
COPPER - 25MM

## TECHNICAL DRAWINGS



## TECHNICAL SPECIFICATIONS

SIZE A (MM)	25
SIZE B (MM)	25
SIZE C (MM)	25
SIZE D	N/A
BRAND	N/A
MANUFACTURER WARRANTY	N/A
MAXIMUM PRESSURE	N/A
MINIMUM PRESSURE	N/A
MAXIMUM TEMPERATURE (°C)	N/A
MINIMUM TEMPERATURE (°C)	N/A
THREAD PITCH (MM)	N/A
THREAD REACH (MM)	N/A
OPERATING TEMPERATURE (°C)	N/A

EXTERNAL MATERIAL	HIGH DENSITY POLYETHYLENE
INTERNAL MATERIAL	HIGH DENSITY POLYETHYLENE
STORAGE REQUIREMENTS	CLEAN & DRY
MSDS REQUIRED	N/A
BOX QUANTITY	EACH

## SPECIAL INSTRUCTIONS

APPROVALS

SUPERVISOR: STORES

HEAD: ASSETS & SUPPLY CHAIN

HEAD: DEPARTMENT

APPROVALS

# STORES STOCK ITEM SPECIFICATION & TECHNICAL DATA SHEET



**BERGRIVIER  
MUNICIPALITY**



ITEM NUMBER

WTR-0004086

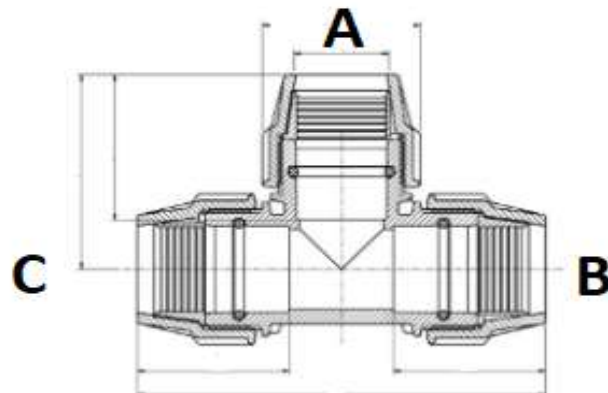
SHORT  
DESCRIPTION

HDPE COMP TEE CXCXC - 32MM

LONG DETAILED  
DESCRIPTION

HIGH-DENSITY POLYTHYLENE COMPRESSION T-PIECE COPPER X COPPER X  
COPPER - 32MM

## TECHNICAL DRAWINGS



## TECHNICAL SPECIFICATIONS

SIZE A (MM)	32
SIZE B (MM)	32
SIZE C (MM)	32
SIZE D	N/A
BRAND	N/A
MANUFACTURER WARRANTY	N/A
MAXIMUM PRESSURE	N/A
MINIMUM PRESSURE	N/A
MAXIMUM TEMPERATURE (°C)	N/A
MINIMUM TEMPERATURE (°C)	N/A
THREAD PITCH (MM)	N/A
THREAD REACH (MM)	N/A
OPERATING TEMPERATURE (°C)	N/A

EXTERNAL MATERIAL HIGH DENSITY POLYETHYLENE

INTERNAL MATERIAL HIGH DENSITY POLYETHYLENE

STORAGE REQUIREMENTS CLEAN & DRY

MSDS REQUIRED N/A

BOX QUANTITY EACH

## SPECIAL INSTRUCTIONS

APPROVALS

SUPERVISOR: STORES

HEAD: ASSETS & SUPPLY CHAIN

HEAD: DEPARTMENT

APPROVALS

# STORES STOCK ITEM SPECIFICATION & TECHNICAL DATA SHEET



**BERGRIVIER  
MUNICIPALITY**



ITEM NUMBER

WTR-0004087

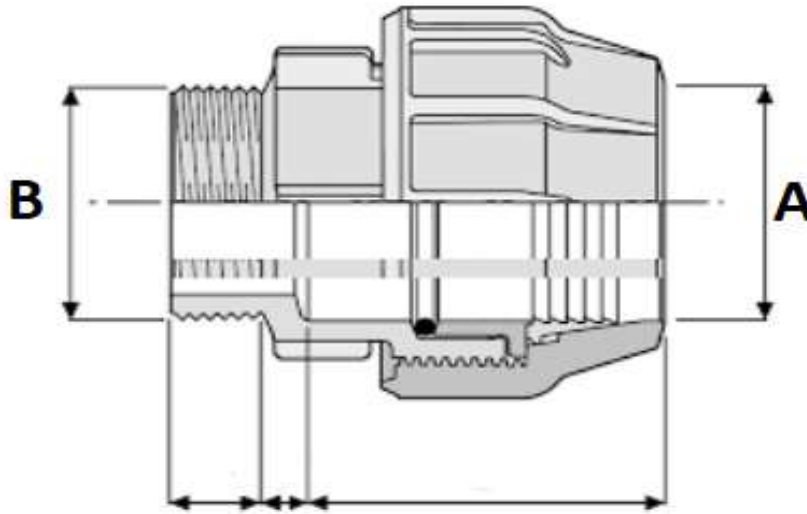
SHORT  
DESCRIPTION

HDPE COMP ADT CXMI - 20MM

LONG DETAILED  
DESCRIPTION

HIGH-DENSITY POLYTHYLENE COMPRESSION ADAPTOR COPPER X MALE IRON -  
20MM

## TECHNICAL DRAWINGS



## TECHNICAL SPECIFICATIONS

SIZE A (MM)	20
SIZE B (MM)	20
SIZE C (MM)	N/A
SIZE D	N/A
BRAND	N/A
MANUFACTURER WARRANTY	N/A
MAXIMUM PRESSURE	N/A
MINIMUM PRESSURE	N/A
MAXIMUM TEMPERATURE (°C)	N/A
MINIMUM TEMPERATURE (°C)	N/A
THREAD PITCH (MM)	N/A
THREAD REACH (MM)	N/A
OPERATING TEMPERATURE (°C)	N/A

EXTERNAL MATERIAL	HIGH DENSITY POLYETHYLENE
INTERNAL MATERIAL	HIGH DENSITY POLYETHYLENE
STORAGE REQUIREMENTS	CLEAN & DRY
MSDS REQUIRED	N/A
BOX QUANTITY	EACH

## SPECIAL INSTRUCTIONS

APPROVALS

SUPERVISOR: STORES

HEAD: ASSETS & SUPPLY CHAIN

HEAD: DEPARTMENT

APPROVALS

# STORES STOCK ITEM SPECIFICATION & TECHNICAL DATA SHEET



**BERGRIVIER  
MUNICIPALITY**



ITEM NUMBER

WTR-0004088

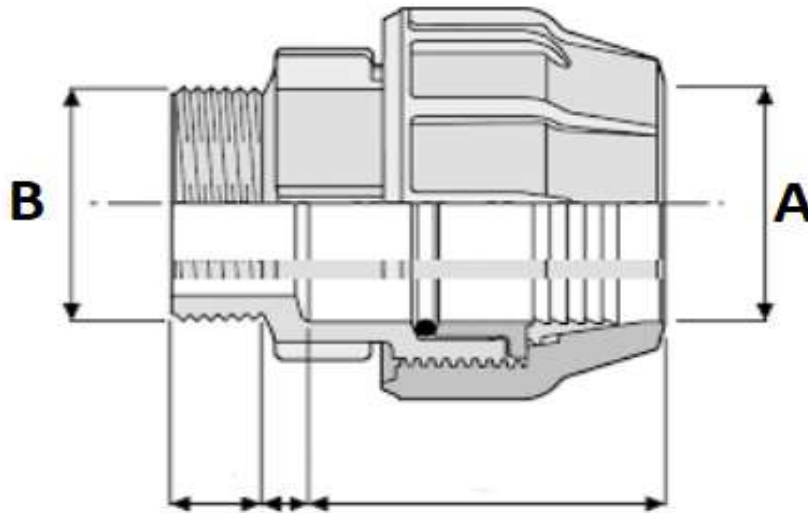
SHORT  
DESCRIPTION

HDPE COMP ADT CXMI - 25MM

LONG DETAILED  
DESCRIPTION

HIGH-DENSITY POLYTHYLENE COMPRESSION ADAPTOR COPPER X MALE IRON -  
25MM

## TECHNICAL DRAWINGS



## TECHNICAL SPECIFICATIONS

SIZE A (MM)	25
SIZE B (MM)	25
SIZE C (MM)	N/A
SIZE D	N/A
BRAND	N/A
MANUFACTURER WARRANTY	N/A
MAXIMUM PRESSURE	N/A
MINIMUM PRESSURE	N/A
MAXIMUM TEMPERATURE (°C)	N/A
MINIMUM TEMPERATURE (°C)	N/A
THREAD PITCH (MM)	N/A
THREAD REACH (MM)	N/A
OPERATING TEMPERATURE (°C)	N/A

EXTERNAL MATERIAL	HIGH DENSITY POLYETHYLENE
INTERNAL MATERIAL	HIGH DENSITY POLYETHYLENE
STORAGE REQUIREMENTS	CLEAN & DRY
MSDS REQUIRED	N/A
BOX QUANTITY	EACH

## SPECIAL INSTRUCTIONS

APPROVALS

SUPERVISOR: STORES

HEAD: ASSETS & SUPPLY CHAIN

HEAD: DEPARTMENT

APPROVALS

# STORES STOCK ITEM SPECIFICATION & TECHNICAL DATA SHEET



**BERGRIVIER  
MUNICIPALITY**



ITEM NUMBER

WTR-0004089

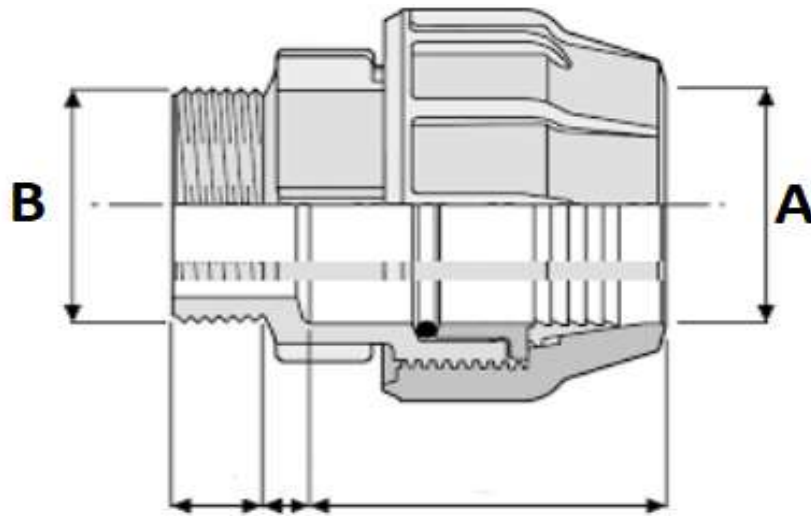
SHORT  
DESCRIPTION

HDPE COMP ADT CXMI - 32MM

LONG DETAILED  
DESCRIPTION

HIGH-DENSITY POLYTHYLENE COMPRESSION ADAPTOR COPPER X MALE IRON -  
32MM

## TECHNICAL DRAWINGS



## TECHNICAL SPECIFICATIONS

SIZE A (MM)	32
SIZE B (MM)	32
SIZE C (MM)	N/A
SIZE D	N/A
BRAND	N/A
MANUFACTURER WARRANTY	N/A
MAXIMUM PRESSURE	N/A
MINIMUM PRESSURE	N/A
MAXIMUM TEMPERATURE (°C)	N/A
MINIMUM TEMPERATURE (°C)	N/A
THREAD PITCH (MM)	N/A
THREAD REACH (MM)	N/A
OPERATING TEMPERATURE (°C)	N/A

EXTERNAL MATERIAL HIGH DENSITY POLYETHYLENE

INTERNAL MATERIAL HIGH DENSITY POLYETHYLENE

STORAGE REQUIREMENTS CLEAN & DRY

MSDS REQUIRED N/A

BOX QUANTITY EACH

## SPECIAL INSTRUCTIONS

APPROVALS

SUPERVISOR: STORES

HEAD: ASSETS & SUPPLY CHAIN

HEAD: DEPARTMENT

APPROVALS



# STORES STOCK ITEM SPECIFICATION & TECHNICAL DATA SHEET



**BERGRIVIER  
MUNICIPALITY**



ITEM NUMBER

WTR-0004090

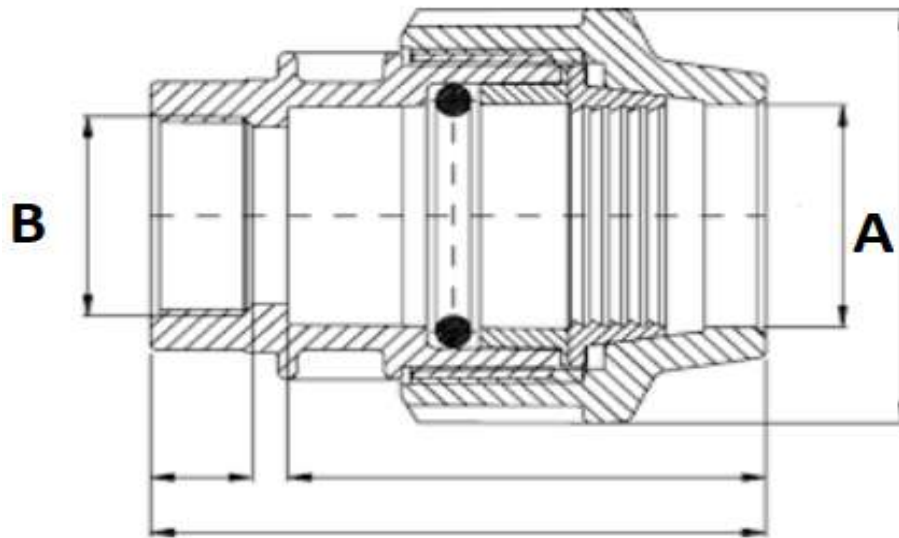
SHORT  
DESCRIPTION

HDPE COMP ADT CXFI - 20MM

LONG DETAILED  
DESCRIPTION

HIGH-DENSITY POLYTHYLENE COMPRESSION ADAPTOR COPPER X FEMALE  
IRON - 20MM

## TECHNICAL DRAWINGS



## TECHNICAL SPECIFICATIONS

SIZE A (MM)	20
SIZE B (MM)	20
SIZE C (MM)	N/A
SIZE D	N/A
BRAND	N/A
MANUFACTURER WARRANTY	N/A
MAXIMUM PRESSURE	N/A
MINIMUM PRESSURE	N/A
MAXIMUM TEMPERATURE (°C)	N/A
MINIMUM TEMPERATURE (°C)	N/A
THREAD PITCH (MM)	N/A
THREAD REACH (MM)	N/A
OPERATING TEMPERATURE (°C)	N/A

EXTERNAL MATERIAL	HIGH DENSITY POLYETHYLENE
INTERNAL MATERIAL	HIGH DENSITY POLYETHYLENE
STORAGE REQUIREMENTS	CLEAN & DRY
MSDS REQUIRED	N/A
BOX QUANTITY	EACH

## SPECIAL INSTRUCTIONS

APPROVALS

SUPERVISOR: STORES

HEAD: ASSETS & SUPPLY CHAIN

HEAD: DEPARTMENT

APPROVALS



# STORES STOCK ITEM SPECIFICATION & TECHNICAL DATA SHEET



**BERGRIVIER  
MUNICIPALITY**



ITEM NUMBER

WTR-0004091

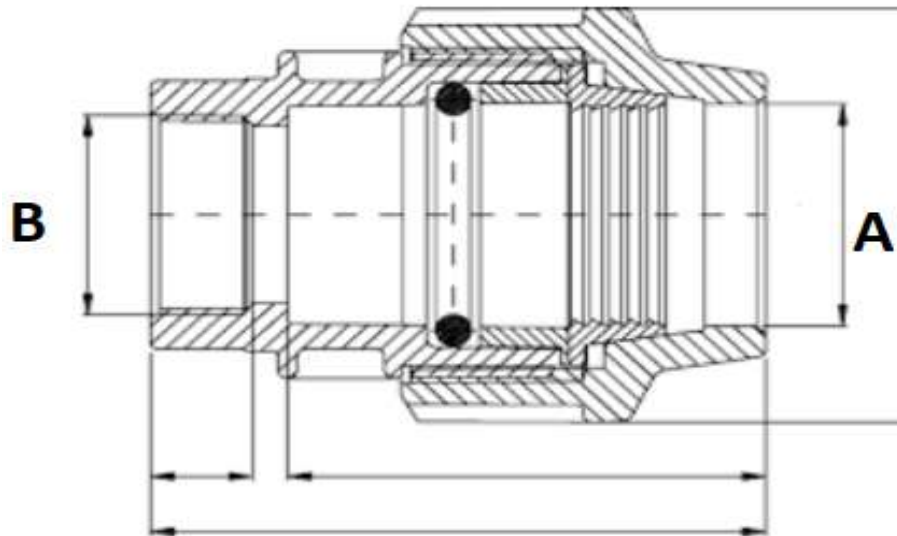
SHORT  
DESCRIPTION

HDPE COMP ADT CXFI - 25MM

LONG DETAILED  
DESCRIPTION

HIGH-DENSITY POLYTHYLENE COMPRESSION ADAPTOR COPPER X FEMALE  
IRON - 25MM

## TECHNICAL DRAWINGS



## TECHNICAL SPECIFICATIONS

SIZE A (MM)	25
SIZE B (MM)	25
SIZE C (MM)	N/A
SIZE D	N/A
BRAND	N/A
MANUFACTURER WARRANTY	N/A
MAXIMUM PRESSURE	N/A
MINIMUM PRESSURE	N/A
MAXIMUM TEMPERATURE (°C)	N/A
MINIMUM TEMPERATURE (°C)	N/A
THREAD PITCH (MM)	N/A
THREAD REACH (MM)	N/A
OPERATING TEMPERATURE (°C)	N/A

EXTERNAL MATERIAL	HIGH DENSITY POLYETHYLENE
INTERNAL MATERIAL	HIGH DENSITY POLYETHYLENE
STORAGE REQUIREMENTS	CLEAN & DRY
MSDS REQUIRED	N/A
BOX QUANTITY	EACH

## SPECIAL INSTRUCTIONS

APPROVALS

SUPERVISOR: STORES

HEAD: ASSETS & SUPPLY CHAIN

HEAD: DEPARTMENT

APPROVALS

# STORES STOCK ITEM SPECIFICATION & TECHNICAL DATA SHEET



**BERGRIVIER  
MUNICIPALITY**



ITEM NUMBER

WTR-0004092

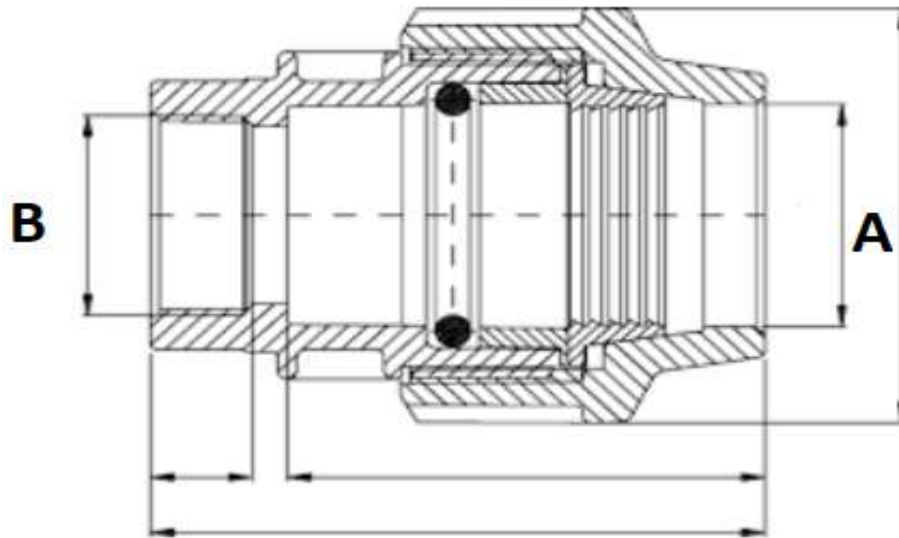
SHORT  
DESCRIPTION

HDPE COMP ADT CXFI - 32MM

LONG DETAILED  
DESCRIPTION

HIGH-DENSITY POLYTHYLENE COMPRESSION ADAPTOR COPPER X FEMALE  
IRON - 32MM

## TECHNICAL DRAWINGS



## TECHNICAL SPECIFICATIONS

SIZE A (MM)	32
SIZE B (MM)	32
SIZE C (MM)	N/A
SIZE D	N/A
BRAND	N/A
MANUFACTURER WARRANTY	N/A
MAXIMUM PRESSURE	N/A
MINIMUM PRESSURE	N/A
MAXIMUM TEMPERATURE (°C)	N/A
MINIMUM TEMPERATURE (°C)	N/A
THREAD PITCH (MM)	N/A
THREAD REACH (MM)	N/A
OPERATING TEMPERATURE (°C)	N/A

EXTERNAL MATERIAL HIGH DENSITY POLYETHYLENE

INTERNAL MATERIAL HIGH DENSITY POLYETHYLENE

STORAGE REQUIREMENTS CLEAN & DRY

MSDS REQUIRED N/A

BOX QUANTITY EACH

## SPECIAL INSTRUCTIONS

APPROVALS

SUPERVISOR: STORES

HEAD: ASSETS & SUPPLY CHAIN

HEAD: DEPARTMENT

APPROVALS

# STORES STOCK ITEM SPECIFICATION & TECHNICAL DATA SHEET



**BERGRIVIER  
MUNICIPALITY**



ITEM NUMBER

WTR-0004093

SHORT  
DESCRIPTION

UNITWIST COUPLER C X C - 15MM

LONG DETAILED  
DESCRIPTION

UNITWIST COUPLER COPPER X COPPER - 15MM

## TECHNICAL DRAWINGS

## TECHNICAL SPECIFICATIONS

SIZE A (MM)	15
SIZE B (MM)	15
SIZE C (MM)	N/A
SIZE D	N/A
BRAND	N/A
MANUFACTURER WARRANTY	N/A
MAXIMUM PRESSURE	N/A
MINIMUM PRESSURE	N/A
MAXIMUM TEMPERATURE (°C)	N/A
MINIMUM TEMPERATURE (°C)	N/A
THREAD PITCH (MM)	N/A
THREAD REACH (MM)	N/A
OPERATING TEMPERATURE (°C)	N/A

EXTERNAL MATERIAL HIGH DENSITY POLYETHYLENE

INTERNAL MATERIAL HIGH DENSITY POLYETHYLENE

STORAGE REQUIREMENTS CLEAN & DRY

MSDS REQUIRED N/A

BOX QUANTITY EACH

## SPECIAL INSTRUCTIONS

APPROVALS

SUPERVISOR: STORES

HEAD: ASSETS & SUPPLY CHAIN

HEAD: DEPARTMENT

APPROVALS

# STORES STOCK ITEM SPECIFICATION & TECHNICAL DATA SHEET



**BERGRIVIER  
MUNICIPALITY**



ITEM NUMBER

WTR-0004094

SHORT  
DESCRIPTION

UNITWIST COUPLER C X C - 22MM

LONG DETAILED  
DESCRIPTION

UNITWIST COUPLER COPPER X COPPER - 22MM

## TECHNICAL DRAWINGS

## TECHNICAL SPECIFICATIONS

SIZE A (MM)	22
SIZE B (MM)	22
SIZE C (MM)	N/A
SIZE D	N/A
BRAND	N/A
MANUFACTURER WARRANTY	N/A
MAXIMUM PRESSURE	N/A
MINIMUM PRESSURE	N/A
MAXIMUM TEMPERATURE (°C)	N/A
MINIMUM TEMPERATURE (°C)	N/A
THREAD PITCH (MM)	N/A
THREAD REACH (MM)	N/A
OPERATING TEMPERATURE (°C)	N/A

EXTERNAL MATERIAL HIGH DENSITY POLYETHYLENE

INTERNAL MATERIAL HIGH DENSITY POLYETHYLENE

STORAGE REQUIREMENTS CLEAN & DRY

MSDS REQUIRED N/A

BOX QUANTITY EACH

## SPECIAL INSTRUCTIONS

APPROVALS

SUPERVISOR: STORES

HEAD: ASSETS & SUPPLY CHAIN

HEAD: DEPARTMENT

APPROVALS

# STORES STOCK ITEM SPECIFICATION & TECHNICAL DATA SHEET



**BERGRIVIER  
MUNICIPALITY**



ITEM NUMBER	WTR-0004095
SHORT DESCRIPTION	UNITWIST COUPLER CXC RED 22MMX15MM
LONG DETAILED DESCRIPTION	UNITWIST COUPLER COPPER X COPPER RED 22MMX15MM

TECHNICAL DRAWINGS		TECHNICAL SPECIFICATIONS		
		SIZE A (MM)	15	
		SIZE B (MM)	22	
		SIZE C (MM)	N/A	
		SIZE D	N/A	
		BRAND	N/A	
		MANUFACTURER WARRANTY	N/A	
		MAXIMUM PRESSURE	N/A	
		MINIMUM PRESSURE	N/A	
		MAXIMUM TEMPERATURE (°C)	N/A	
		MINIMUM TEMPERATURE (°C)	N/A	
		THREAD PITCH (MM)	N/A	
		THREAD REACH (MM)	N/A	
		OPERATING TEMPERATURE (°C)	N/A	
EXTERNAL MATERIAL	HIGH DENSITY POLYETHYLENE	SPECIAL INSTRUCTIONS		
INTERNAL MATERIAL	HIGH DENSITY POLYETHYLENE			
STORAGE REQUIREMENTS	CLEAN & DRY			
MSDS REQUIRED	N/A			
BOX QUANTITY	EACH			
APPROVALS				APPROVALS
	SUPERVISOR: STORES	HEAD: ASSETS & SUPPLY CHAIN	HEAD: DEPARTMENT	

# STORES STOCK ITEM SPECIFICATION & TECHNICAL DATA SHEET



**BERGRIVIER  
MUNICIPALITY**



ITEM NUMBER

WTR-0004096

SHORT  
DESCRIPTION

UNITWIST COUPLER STR CXFI 15MM X ½ INCH

LONG DETAILED  
DESCRIPTION

UNITWIST COUPLER STR COPPER X FEMALE IRON 15MM TO ½ INCH

## TECHNICAL DRAWINGS

## TECHNICAL SPECIFICATIONS

SIZE A (MM)	15
SIZE B (MM)	½"
SIZE C (MM)	N/A
SIZE D	N/A
BRAND	N/A
MANUFACTURER WARRANTY	N/A
MAXIMUM PRESSURE	N/A
MINIMUM PRESSURE	N/A
MAXIMUM TEMPERATURE (°C)	N/A
MINIMUM TEMPERATURE (°C)	N/A
THREAD PITCH (MM)	N/A
THREAD REACH (MM)	N/A
OPERATING TEMPERATURE (°C)	N/A

EXTERNAL MATERIAL	HIGH DENSITY POLYETHYLENE
INTERNAL MATERIAL	HIGH DENSITY POLYETHYLENE
STORAGE REQUIREMENTS	CLEAN & DRY
MSDS REQUIRED	N/A
BOX QUANTITY	EACH

## SPECIAL INSTRUCTIONS

APPROVALS

SUPERVISOR: STORES

HEAD: ASSETS & SUPPLY CHAIN

HEAD: DEPARTMENT

APPROVALS

# STORES STOCK ITEM SPECIFICATION & TECHNICAL DATA SHEET



**BERGRIVIER  
MUNICIPALITY**



ITEM NUMBER

WTR-0004097

SHORT  
DESCRIPTION

UNITWIST COUPLER STR C X FI 22MM X ¾INCH

LONG DETAILED  
DESCRIPTION

UNITWIST COUPLER STR COPPER X FEMALE IRON 22MM X ¾INCH

## TECHNICAL DRAWINGS

## TECHNICAL SPECIFICATIONS

SIZE A (MM)	22
SIZE B (MM)	¾"
SIZE C (MM)	N/A
SIZE D	N/A
BRAND	N/A
MANUFACTURER WARRANTY	N/A
MAXIMUM PRESSURE	N/A
MINIMUM PRESSURE	N/A
MAXIMUM TEMPERATURE (°C)	N/A
MINIMUM TEMPERATURE (°C)	N/A
THREAD PITCH (MM)	N/A
THREAD REACH (MM)	N/A
OPERATING TEMPERATURE (°C)	N/A

EXTERNAL MATERIAL HIGH DENSITY POLYETHYLENE

INTERNAL MATERIAL HIGH DENSITY POLYETHYLENE

STORAGE REQUIREMENTS CLEAN & DRY

MSDS REQUIRED N/A

BOX QUANTITY EACH

## SPECIAL INSTRUCTIONS

APPROVALS

SUPERVISOR: STORES

HEAD: ASSETS & SUPPLY CHAIN

HEAD: DEPARTMENT

APPROVALS

# STORES STOCK ITEM SPECIFICATION & TECHNICAL DATA SHEET



**BERGRIVIER  
MUNICIPALITY**



ITEM NUMBER

WTR-0004098

SHORT  
DESCRIPTION

UNITWIST REDUCER STR CXFI 15MM X ¾INCH

LONG DETAILED  
DESCRIPTION

UNITWIST REDUCER STR COPPER X FEMALE IRON 15MM X ¾INCH

## TECHNICAL DRAWINGS

## TECHNICAL SPECIFICATIONS

SIZE A (MM)	15
SIZE B (MM)	¾"
SIZE C (MM)	N/A
SIZE D	N/A
BRAND	N/A
MANUFACTURER WARRANTY	N/A
MAXIMUM PRESSURE	N/A
MINIMUM PRESSURE	N/A
MAXIMUM TEMPERATURE (°C)	N/A
MINIMUM TEMPERATURE (°C)	N/A
THREAD PITCH (MM)	N/A
THREAD REACH (MM)	N/A
OPERATING TEMPERATURE (°C)	N/A

EXTERNAL MATERIAL HIGH DENSITY POLYETHYLENE

INTERNAL MATERIAL HIGH DENSITY POLYETHYLENE

STORAGE REQUIREMENTS CLEAN & DRY

MSDS REQUIRED N/A

BOX QUANTITY EACH

## SPECIAL INSTRUCTIONS

APPROVALS

SUPERVISOR: STORES

HEAD: ASSETS & SUPPLY CHAIN

HEAD: DEPARTMENT

APPROVALS



# STORES STOCK ITEM SPECIFICATION & TECHNICAL DATA SHEET



**BERGRIVIER  
MUNICIPALITY**



ITEM NUMBER

WTR-0004099

SHORT  
DESCRIPTION

UNITWIST COUPLER STR CXMI 15MM X ½INCH

LONG DETAILED  
DESCRIPTION

UNITWIST COUPLER STR COPPER X FEMALE IRON 22MM X ½INCH

## TECHNICAL DRAWINGS

## TECHNICAL SPECIFICATIONS

SIZE A (MM)	15
SIZE B (MM)	½"
SIZE C (MM)	N/A
SIZE D	N/A
BRAND	N/A
MANUFACTURER WARRANTY	N/A
MAXIMUM PRESSURE	N/A
MINIMUM PRESSURE	N/A
MAXIMUM TEMPERATURE (°C)	N/A
MINIMUM TEMPERATURE (°C)	N/A
THREAD PITCH (MM)	N/A
THREAD REACH (MM)	N/A
OPERATING TEMPERATURE (°C)	N/A

EXTERNAL MATERIAL HIGH DENSITY POLYETHYLENE

INTERNAL MATERIAL HIGH DENSITY POLYETHYLENE

STORAGE REQUIREMENTS CLEAN & DRY

MSDS REQUIRED N/A

BOX QUANTITY EACH

## SPECIAL INSTRUCTIONS

APPROVALS

SUPERVISOR: STORES

HEAD: ASSETS & SUPPLY CHAIN

HEAD: DEPARTMENT

APPROVALS

# STORES STOCK ITEM SPECIFICATION & TECHNICAL DATA SHEET



**BERGRIVIER  
MUNICIPALITY**



ITEM NUMBER

WTR-0004100

SHORT  
DESCRIPTION

UNITWIST COUPLER STR CXMI 22MM X ¾INCH

LONG DETAILED  
DESCRIPTION

UNITWIST COUPLER STR COPPER X MALE IRON 22MM X ¾INCH

## TECHNICAL DRAWINGS

## TECHNICAL SPECIFICATIONS

SIZE A (MM)	22
SIZE B (MM)	¾"
SIZE C (MM)	N/A
SIZE D	N/A
BRAND	N/A
MANUFACTURER WARRANTY	N/A
MAXIMUM PRESSURE	N/A
MINIMUM PRESSURE	N/A
MAXIMUM TEMPERATURE (°C)	N/A
MINIMUM TEMPERATURE (°C)	N/A
THREAD PITCH (MM)	N/A
THREAD REACH (MM)	N/A
OPERATING TEMPERATURE (°C)	N/A

EXTERNAL MATERIAL HIGH DENSITY POLYETHYLENE

INTERNAL MATERIAL HIGH DENSITY POLYETHYLENE

STORAGE REQUIREMENTS CLEAN & DRY

MSDS REQUIRED N/A

BOX QUANTITY EACH

## SPECIAL INSTRUCTIONS

APPROVALS

SUPERVISOR: STORES

HEAD: ASSETS & SUPPLY CHAIN

HEAD: DEPARTMENT

APPROVALS

# STORES STOCK ITEM SPECIFICATION & TECHNICAL DATA SHEET



**BERGRIVIER  
MUNICIPALITY**



ITEM NUMBER

WTR-0004101

SHORT  
DESCRIPTION

UNITWIST COUPLER STR CXMI RED 15MM X ¾INCH

LONG DETAILED  
DESCRIPTION

UNITWIST COUPLER STR COPPER X MALE IRON 15MM X ¾INCH

## TECHNICAL DRAWINGS

## TECHNICAL SPECIFICATIONS

SIZE A (MM)	22
SIZE B (MM)	¾"
SIZE C (MM)	N/A
SIZE D	N/A
BRAND	N/A
MANUFACTURER WARRANTY	N/A
MAXIMUM PRESSURE	N/A
MINIMUM PRESSURE	N/A
MAXIMUM TEMPERATURE (°C)	N/A
MINIMUM TEMPERATURE (°C)	N/A
THREAD PITCH (MM)	N/A
THREAD REACH (MM)	N/A
OPERATING TEMPERATURE (°C)	N/A

EXTERNAL MATERIAL	HIGH DENSITY POLYETHYLENE
INTERNAL MATERIAL	HIGH DENSITY POLYETHYLENE
STORAGE REQUIREMENTS	CLEAN & DRY
MSDS REQUIRED	N/A
BOX QUANTITY	EACH

## SPECIAL INSTRUCTIONS

APPROVALS

SUPERVISOR: STORES

HEAD: ASSETS & SUPPLY CHAIN

HEAD: DEPARTMENT

APPROVALS

# STORES STOCK ITEM SPECIFICATION & TECHNICAL DATA SHEET



**BERGRIVIER  
MUNICIPALITY**



ITEM NUMBER

WTR-0004102

SHORT  
DESCRIPTION

UNITWIST ELBOW CXC 15MM

LONG DETAILED  
DESCRIPTION

UNITWIST ELBOW COPPER X COPPER 15MM

## TECHNICAL DRAWINGS

## TECHNICAL SPECIFICATIONS

SIZE A (MM)	15
SIZE B (MM)	15
SIZE C (MM)	N/A
SIZE D	N/A
BRAND	N/A
MANUFACTURER WARRANTY	N/A
MAXIMUM PRESSURE	N/A
MINIMUM PRESSURE	N/A
MAXIMUM TEMPERATURE (°C)	N/A
MINIMUM TEMPERATURE (°C)	N/A
THREAD PITCH (MM)	N/A
THREAD REACH (MM)	N/A
OPERATING TEMPERATURE (°C)	N/A

EXTERNAL MATERIAL HIGH DENSITY POLYETHYLENE

INTERNAL MATERIAL HIGH DENSITY POLYETHYLENE

STORAGE REQUIREMENTS CLEAN & DRY

MSDS REQUIRED N/A

BOX QUANTITY EACH

## SPECIAL INSTRUCTIONS

APPROVALS

SUPERVISOR: STORES

HEAD: ASSETS & SUPPLY CHAIN

HEAD: DEPARTMENT

APPROVALS

# STORES STOCK ITEM SPECIFICATION & TECHNICAL DATA SHEET



**BERGRIVIER  
MUNICIPALITY**



ITEM NUMBER

WTR-0004103

SHORT  
DESCRIPTION

UNITWIST ELBOW CXC 22MM

LONG DETAILED  
DESCRIPTION

UNITWIST ELBOW COPPER X COPPER 22MM

## TECHNICAL DRAWINGS

## TECHNICAL SPECIFICATIONS

SIZE A (MM)	22
SIZE B (MM)	22
SIZE C (MM)	N/A
SIZE D	N/A
BRAND	N/A
MANUFACTURER WARRANTY	N/A
MAXIMUM PRESSURE	N/A
MINIMUM PRESSURE	N/A
MAXIMUM TEMPERATURE (°C)	N/A
MINIMUM TEMPERATURE (°C)	N/A
THREAD PITCH (MM)	N/A
THREAD REACH (MM)	N/A
OPERATING TEMPERATURE (°C)	N/A

EXTERNAL MATERIAL	HIGH DENSITY POLYETHYLENE
INTERNAL MATERIAL	HIGH DENSITY POLYETHYLENE
STORAGE REQUIREMENTS	CLEAN & DRY
MSDS REQUIRED	N/A
BOX QUANTITY	EACH

## SPECIAL INSTRUCTIONS

APPROVALS

SUPERVISOR: STORES

HEAD: ASSETS & SUPPLY CHAIN

HEAD: DEPARTMENT

APPROVALS

# STORES STOCK ITEM SPECIFICATION & TECHNICAL DATA SHEET



**BERGRIVIER  
MUNICIPALITY**



ITEM NUMBER

WTR-0004104

SHORT  
DESCRIPTION

UNITWIST ELBOW CXFI 15MM X ½INCH

LONG DETAILED  
DESCRIPTION

UNITWIST ELBOW COPPER X FEMALE IRON 15MM X ½INCH

## TECHNICAL DRAWINGS

## TECHNICAL SPECIFICATIONS

SIZE A (MM)	15
SIZE B (MM)	½"
SIZE C (MM)	N/A
SIZE D	N/A
BRAND	N/A
MANUFACTURER WARRANTY	N/A
MAXIMUM PRESSURE	N/A
MINIMUM PRESSURE	N/A
MAXIMUM TEMPERATURE (°C)	N/A
MINIMUM TEMPERATURE (°C)	N/A
THREAD PITCH (MM)	N/A
THREAD REACH (MM)	N/A
OPERATING TEMPERATURE (°C)	N/A

EXTERNAL MATERIAL HIGH DENSITY POLYETHYLENE

INTERNAL MATERIAL HIGH DENSITY POLYETHYLENE

STORAGE REQUIREMENTS CLEAN & DRY

MSDS REQUIRED N/A

BOX QUANTITY EACH

## SPECIAL INSTRUCTIONS

APPROVALS

SUPERVISOR: STORES

HEAD: ASSETS & SUPPLY CHAIN

HEAD: DEPARTMENT

APPROVALS

# STORES STOCK ITEM SPECIFICATION & TECHNICAL DATA SHEET



**BERGRIVIER  
MUNICIPALITY**



ITEM NUMBER

WTR-0004105

SHORT  
DESCRIPTION

UNITWIST ELBOW CXFI 22MM X 3/4INCH

LONG DETAILED  
DESCRIPTION

UNITWIST ELBOW COPPER X FEMALE IRON 22MM X 3/4INCH

## TECHNICAL DRAWINGS

## TECHNICAL SPECIFICATIONS

SIZE A (MM)	22
SIZE B (MM)	¾"
SIZE C (MM)	N/A
SIZE D	N/A
BRAND	N/A
MANUFACTURER WARRANTY	N/A
MAXIMUM PRESSURE	N/A
MINIMUM PRESSURE	N/A
MAXIMUM TEMPERATURE (°C)	N/A
MINIMUM TEMPERATURE (°C)	N/A
THREAD PITCH (MM)	N/A
THREAD REACH (MM)	N/A
OPERATING TEMPERATURE (°C)	N/A

EXTERNAL MATERIAL HIGH DENSITY POLYETHYLENE

INTERNAL MATERIAL HIGH DENSITY POLYETHYLENE

STORAGE REQUIREMENTS CLEAN & DRY

MSDS REQUIRED N/A

BOX QUANTITY EACH

## SPECIAL INSTRUCTIONS

APPROVALS

SUPERVISOR: STORES

HEAD: ASSETS & SUPPLY CHAIN

HEAD: DEPARTMENT

APPROVALS

# STORES STOCK ITEM SPECIFICATION & TECHNICAL DATA SHEET



**BERGRIVIER  
MUNICIPALITY**



ITEM NUMBER

WTR-0004106

SHORT  
DESCRIPTION

UNITWIST ELBOW RED CXFI 15MM X ¾INCH

LONG DETAILED  
DESCRIPTION

UNITWIST ELBOW REDUCER COPPER X FEMALE IRON 15MM X ¾INCH

## TECHNICAL DRAWINGS

## TECHNICAL SPECIFICATIONS

SIZE A (MM)	15
SIZE B (MM)	¾"
SIZE C (MM)	N/A
SIZE D	N/A
BRAND	N/A
MANUFACTURER WARRANTY	N/A
MAXIMUM PRESSURE	N/A
MINIMUM PRESSURE	N/A
MAXIMUM TEMPERATURE (°C)	N/A
MINIMUM TEMPERATURE (°C)	N/A
THREAD PITCH (MM)	N/A
THREAD REACH (MM)	N/A
OPERATING TEMPERATURE (°C)	N/A

EXTERNAL MATERIAL HIGH DENSITY POLYETHYLENE

INTERNAL MATERIAL HIGH DENSITY POLYETHYLENE

STORAGE REQUIREMENTS CLEAN & DRY

MSDS REQUIRED N/A

BOX QUANTITY EACH

## SPECIAL INSTRUCTIONS

APPROVALS

SUPERVISOR: STORES

HEAD: ASSETS & SUPPLY CHAIN

HEAD: DEPARTMENT

APPROVALS



# STORES STOCK ITEM SPECIFICATION & TECHNICAL DATA SHEET



**BERGRIVIER  
MUNICIPALITY**



ITEM NUMBER

WTR-0004107

SHORT  
DESCRIPTION

UNITWIST ELBOW CXMI 15MM X ½INCH

LONG DETAILED  
DESCRIPTION

UNITWIST ELBOW COPPER X MALE IRON 15MM X ½INCH

## TECHNICAL DRAWINGS

## TECHNICAL SPECIFICATIONS

SIZE A (MM)	15
SIZE B (MM)	½"
SIZE C (MM)	N/A
SIZE D	N/A
BRAND	N/A
MANUFACTURER WARRANTY	N/A
MAXIMUM PRESSURE	N/A
MINIMUM PRESSURE	N/A
MAXIMUM TEMPERATURE (°C)	N/A
MINIMUM TEMPERATURE (°C)	N/A
THREAD PITCH (MM)	N/A
THREAD REACH (MM)	N/A
OPERATING TEMPERATURE (°C)	N/A

EXTERNAL MATERIAL HIGH DENSITY POLYETHYLENE

INTERNAL MATERIAL HIGH DENSITY POLYETHYLENE

STORAGE REQUIREMENTS CLEAN & DRY

MSDS REQUIRED N/A

BOX QUANTITY EACH

## SPECIAL INSTRUCTIONS

APPROVALS

SUPERVISOR: STORES

HEAD: ASSETS & SUPPLY CHAIN

HEAD: DEPARTMENT

APPROVALS

# STORES STOCK ITEM SPECIFICATION & TECHNICAL DATA SHEET



**BERGRIVIER  
MUNICIPALITY**



ITEM NUMBER

WTR-0004108

SHORT  
DESCRIPTION

UNITWIST ELBOW CXMI 22MM X 3/4INCH

LONG DETAILED  
DESCRIPTION

UNITWIST ELBOW COPPER X MALE IRON 22MM X ¾INCH

## TECHNICAL DRAWINGS

## TECHNICAL SPECIFICATIONS

SIZE A (MM)	22
SIZE B (MM)	¾"
SIZE C (MM)	N/A
SIZE D	N/A
BRAND	N/A
MANUFACTURER WARRANTY	N/A
MAXIMUM PRESSURE	N/A
MINIMUM PRESSURE	N/A
MAXIMUM TEMPERATURE (°C)	N/A
MINIMUM TEMPERATURE (°C)	N/A
THREAD PITCH (MM)	N/A
THREAD REACH (MM)	N/A
OPERATING TEMPERATURE (°C)	N/A

EXTERNAL MATERIAL HIGH DENSITY POLYETHYLENE

INTERNAL MATERIAL HIGH DENSITY POLYETHYLENE

STORAGE REQUIREMENTS CLEAN & DRY

MSDS REQUIRED N/A

BOX QUANTITY EACH

## SPECIAL INSTRUCTIONS

APPROVALS

SUPERVISOR: STORES

HEAD: ASSETS & SUPPLY CHAIN

HEAD: DEPARTMENT

APPROVALS

# STORES STOCK ITEM SPECIFICATION & TECHNICAL DATA SHEET



**BERGRIVIER  
MUNICIPALITY**



ITEM NUMBER

WTR-0004109

SHORT  
DESCRIPTION

UNITWIST ELBOW CXMI RED 15MM X 3/4INCH

LONG DETAILED  
DESCRIPTION

UNITWIST ELBOW COPPER X MALE IRON REDUCER 15MM X ¾INCH

## TECHNICAL DRAWINGS

## TECHNICAL SPECIFICATIONS

SIZE A (MM)	15
SIZE B (MM)	¾"
SIZE C (MM)	N/A
SIZE D	N/A
BRAND	N/A
MANUFACTURER WARRANTY	N/A
MAXIMUM PRESSURE	N/A
MINIMUM PRESSURE	N/A
MAXIMUM TEMPERATURE (°C)	N/A
MINIMUM TEMPERATURE (°C)	N/A
THREAD PITCH (MM)	N/A
THREAD REACH (MM)	N/A
OPERATING TEMPERATURE (°C)	N/A

EXTERNAL MATERIAL HIGH DENSITY POLYETHYLENE

INTERNAL MATERIAL HIGH DENSITY POLYETHYLENE

STORAGE REQUIREMENTS CLEAN & DRY

MSDS REQUIRED N/A

BOX QUANTITY EACH

## SPECIAL INSTRUCTIONS

APPROVALS

SUPERVISOR: STORES

HEAD: ASSETS & SUPPLY CHAIN

HEAD: DEPARTMENT

APPROVALS

# STORES STOCK ITEM SPECIFICATION & TECHNICAL DATA SHEET



**BERGRIVIER  
MUNICIPALITY**



ITEM NUMBER

WTR-0004110

SHORT  
DESCRIPTION

UNITWIST TEE CENTRE ENLARGED CXCXC 15X15X22MM

LONG DETAILED  
DESCRIPTION

UNITWIST TEE CENTRE ENLARGED COPPER X COPPER X COPPER 15X15X22MM

## TECHNICAL DRAWINGS

## TECHNICAL SPECIFICATIONS

SIZE A (MM)	15
SIZE B (MM)	15
SIZE C (MM)	22
SIZE D	N/A
BRAND	N/A
MANUFACTURER WARRANTY	N/A
MAXIMUM PRESSURE	N/A
MINIMUM PRESSURE	N/A
MAXIMUM TEMPERATURE (°C)	N/A
MINIMUM TEMPERATURE (°C)	N/A
THREAD PITCH (MM)	N/A
THREAD REACH (MM)	N/A
OPERATING TEMPERATURE (°C)	N/A

EXTERNAL MATERIAL HIGH DENSITY POLYETHYLENE

INTERNAL MATERIAL HIGH DENSITY POLYETHYLENE

STORAGE REQUIREMENTS CLEAN & DRY

MSDS REQUIRED N/A

BOX QUANTITY EACH

## SPECIAL INSTRUCTIONS

APPROVALS

SUPERVISOR: STORES

HEAD: ASSETS & SUPPLY CHAIN

HEAD: DEPARTMENT

APPROVALS

# STORES STOCK ITEM SPECIFICATION & TECHNICAL DATA SHEET



**BERGRIVIER  
MUNICIPALITY**



ITEM NUMBER

WTR-0004111

SHORT  
DESCRIPTION

UNITWIST TEE CENTRE RED CXCXC 22MM X 15MM

LONG DETAILED  
DESCRIPTION

UNITWIST TEE CENTRE REDUCER COPPER X COPPER X COPPER 22MM X 15MM

## TECHNICAL DRAWINGS

## TECHNICAL SPECIFICATIONS

SIZE A (MM)	22
SIZE B (MM)	22
SIZE C (MM)	15
SIZE D	N/A
BRAND	N/A
MANUFACTURER WARRANTY	N/A
MAXIMUM PRESSURE	N/A
MINIMUM PRESSURE	N/A
MAXIMUM TEMPERATURE (°C)	N/A
MINIMUM TEMPERATURE (°C)	N/A
THREAD PITCH (MM)	N/A
THREAD REACH (MM)	N/A
OPERATING TEMPERATURE (°C)	N/A

EXTERNAL MATERIAL HIGH DENSITY POLYETHYLENE

INTERNAL MATERIAL HIGH DENSITY POLYETHYLENE

STORAGE REQUIREMENTS CLEAN & DRY

MSDS REQUIRED N/A

BOX QUANTITY EACH

## SPECIAL INSTRUCTIONS

APPROVALS

SUPERVISOR: STORES

HEAD: ASSETS & SUPPLY CHAIN

HEAD: DEPARTMENT

APPROVALS

# STORES STOCK ITEM SPECIFICATION & TECHNICAL DATA SHEET



**BERGRIVIER  
MUNICIPALITY**



ITEM NUMBER

WTR-0004112

SHORT  
DESCRIPTION

UNITWIST TEE END RED CXCXC 22X15X22MM

LONG DETAILED  
DESCRIPTION

UNITWIST TEE CENTRE REDUCER COPPER X COPPER X COPPER 22X15X22MM

## TECHNICAL DRAWINGS

## TECHNICAL SPECIFICATIONS

SIZE A (MM)	22
SIZE B (MM)	15
SIZE C (MM)	22
SIZE D	N/A
BRAND	N/A
MANUFACTURER WARRANTY	N/A
MAXIMUM PRESSURE	N/A
MINIMUM PRESSURE	N/A
MAXIMUM TEMPERATURE (°C)	N/A
MINIMUM TEMPERATURE (°C)	N/A
THREAD PITCH (MM)	N/A
THREAD REACH (MM)	N/A
OPERATING TEMPERATURE (°C)	N/A

EXTERNAL MATERIAL HIGH DENSITY POLYETHYLENE

INTERNAL MATERIAL HIGH DENSITY POLYETHYLENE

STORAGE REQUIREMENTS CLEAN & DRY

MSDS REQUIRED N/A

BOX QUANTITY EACH

## SPECIAL INSTRUCTIONS

APPROVALS

SUPERVISOR: STORES

HEAD: ASSETS & SUPPLY CHAIN

HEAD: DEPARTMENT

APPROVALS

# STORES STOCK ITEM SPECIFICATION & TECHNICAL DATA SHEET



**BERGRIVIER  
MUNICIPALITY**



ITEM NUMBER

WTR-0004113

SHORT  
DESCRIPTION

UNITWIST TEE EQUAL CXCXC 15MM

LONG DETAILED  
DESCRIPTION

UNITWIST TEE EQUAL COPPER X COPPER X COPPER 15MM

## TECHNICAL DRAWINGS

## TECHNICAL SPECIFICATIONS

SIZE A (MM)	15
SIZE B (MM)	15
SIZE C (MM)	15
SIZE D	N/A
BRAND	N/A
MANUFACTURER WARRANTY	N/A
MAXIMUM PRESSURE	N/A
MINIMUM PRESSURE	N/A
MAXIMUM TEMPERATURE (°C)	N/A
MINIMUM TEMPERATURE (°C)	N/A
THREAD PITCH (MM)	N/A
THREAD REACH (MM)	N/A
OPERATING TEMPERATURE (°C)	N/A

EXTERNAL MATERIAL HIGH DENSITY POLYETHYLENE

INTERNAL MATERIAL HIGH DENSITY POLYETHYLENE

STORAGE REQUIREMENTS CLEAN & DRY

MSDS REQUIRED N/A

BOX QUANTITY EACH

## SPECIAL INSTRUCTIONS

APPROVALS

SUPERVISOR: STORES

HEAD: ASSETS & SUPPLY CHAIN

HEAD: DEPARTMENT

APPROVALS

# STORES STOCK ITEM SPECIFICATION & TECHNICAL DATA SHEET



**BERGRIVIER  
MUNICIPALITY**



ITEM NUMBER

WTR-0004114

SHORT  
DESCRIPTION

UNITWIST TEE EQUAL CXCXC 22MM

LONG DETAILED  
DESCRIPTION

UNITWIST TEE EQUAL COPPER X COPPER X COPPER 22MM

## TECHNICAL DRAWINGS

## TECHNICAL SPECIFICATIONS

SIZE A (MM)	22
SIZE B (MM)	22
SIZE C (MM)	22
SIZE D	N/A
BRAND	N/A
MANUFACTURER WARRANTY	N/A
MAXIMUM PRESSURE	N/A
MINIMUM PRESSURE	N/A
MAXIMUM TEMPERATURE (°C)	N/A
MINIMUM TEMPERATURE (°C)	N/A
THREAD PITCH (MM)	N/A
THREAD REACH (MM)	N/A
OPERATING TEMPERATURE (°C)	N/A

EXTERNAL MATERIAL HIGH DENSITY POLYETHYLENE

INTERNAL MATERIAL HIGH DENSITY POLYETHYLENE

STORAGE REQUIREMENTS CLEAN & DRY

MSDS REQUIRED N/A

BOX QUANTITY EACH

## SPECIAL INSTRUCTIONS

APPROVALS

SUPERVISOR: STORES

HEAD: ASSETS & SUPPLY CHAIN

HEAD: DEPARTMENT

APPROVALS



# STORES STOCK ITEM SPECIFICATION & TECHNICAL DATA SHEET



**BERGRIVIER  
MUNICIPALITY**



ITEM NUMBER	WTR-0004115
SHORT DESCRIPTION	POLYCOP PIPE 15MM X 100M
LONG DETAILED DESCRIPTION	POLYETHELENE PIPE 15MM X 100M

TECHNICAL DRAWINGS		TECHNICAL SPECIFICATIONS		
		SIZE A (MM)	15	
		SIZE B (MM)	N/A	
		SIZE C (MM)	N/A	
		SIZE D	N/A	
		BRAND	N/A	
		MANUFACTURER WARRANTY	N/A	
		MAXIMUM PRESSURE	N/A	
		MINIMUM PRESSURE	N/A	
		MAXIMUM TEMPERATURE (°C)	N/A	
		MINIMUM TEMPERATURE (°C)	N/A	
		THREAD PITCH (MM)	N/A	
		THREAD REACH (MM)	N/A	
		OPERATING TEMPERATURE (°C)	N/A	
EXTERNAL MATERIAL	HIGH DENSITY POLYETHYLENE	SPECIAL INSTRUCTIONS		
INTERNAL MATERIAL	HIGH DENSITY POLYETHYLENE			
STORAGE REQUIREMENTS	CLEAN & DRY			
MSDS REQUIRED	N/A			
BOX QUANTITY	EACH			
APPROVALS				APPROVALS
	SUPERVISOR: STORES	HEAD: ASSETS & SUPPLY CHAIN	HEAD: DEPARTMENT	

# STORES STOCK ITEM SPECIFICATION & TECHNICAL DATA SHEET

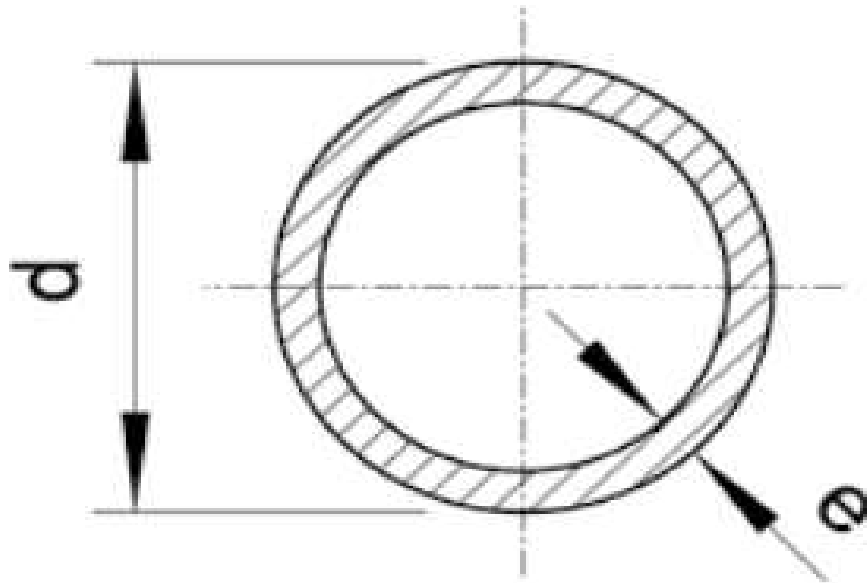


**BERGRIVIER  
MUNICIPALITY**



ITEM NUMBER	WTR-0004116
SHORT DESCRIPTION	POLYCOP PIPE 22MM X 100M
LONG DETAILED DESCRIPTION	POLYETHELENE PIPE 22MM X 100M

## TECHNICAL DRAWINGS



## TECHNICAL SPECIFICATIONS

SIZE A (MM)	22
SIZE B (MM)	N/A
SIZE C (MM)	N/A
SIZE D	N/A
BRAND	N/A
MANUFACTURER WARRANTY	N/A
MAXIMUM PRESSURE	N/A
MINIMUM PRESSURE	N/A
MAXIMUM TEMPERATURE (°C)	N/A
MINIMUM TEMPERATURE (°C)	N/A
THREAD PITCH (MM)	N/A
THREAD REACH (MM)	N/A
OPERATING TEMPERATURE (°C)	N/A

EXTERNAL MATERIAL	HIGH DENSITY POLYETHYLENE
INTERNAL MATERIAL	HIGH DENSITY POLYETHYLENE
STORAGE REQUIREMENTS	CLEAN & DRY
MSDS REQUIRED	N/A
BOX QUANTITY	EACH

## SPECIAL INSTRUCTIONS

APPROVALS		
	SUPERVISOR: STORES	HEAD: ASSETS & SUPPLY CHAIN

	APPROVALS
HEAD: DEPARTMENT	

# STORES STOCK ITEM SPECIFICATION & TECHNICAL DATA SHEET

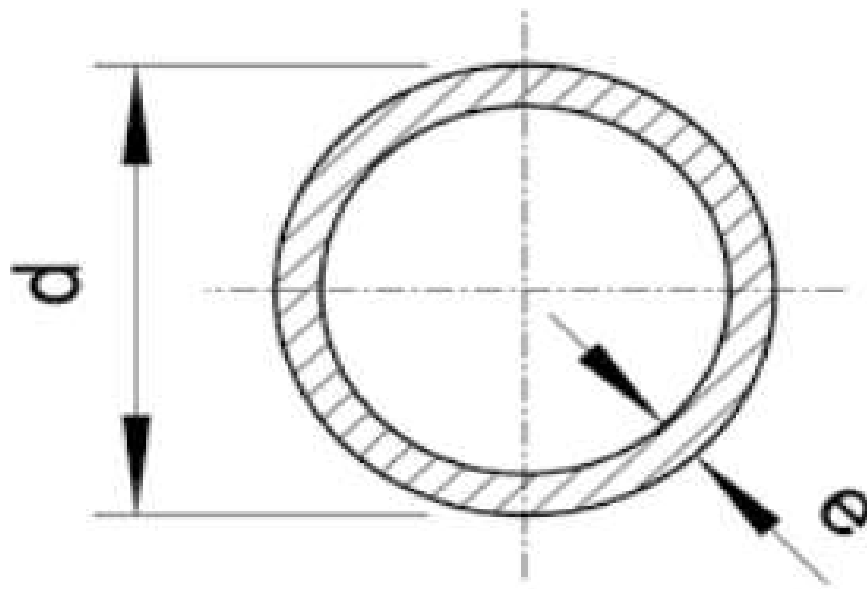


**BERGRIVIER  
MUNICIPALITY**



ITEM NUMBER	WTR-0004117
SHORT DESCRIPTION	POLYCOP PIPE 28MM X 100M
LONG DETAILED DESCRIPTION	POLYETHELENE PIPE 28MM X 100M

## TECHNICAL DRAWINGS



## TECHNICAL SPECIFICATIONS

SIZE A (MM)	28
SIZE B (MM)	N/A
SIZE C (MM)	N/A
SIZE D	N/A
BRAND	N/A
MANUFACTURER WARRANTY	N/A
MAXIMUM PRESSURE	N/A
MINIMUM PRESSURE	N/A
MAXIMUM TEMPERATURE (°C)	N/A
MINIMUM TEMPERATURE (°C)	N/A
THREAD PITCH (MM)	N/A
THREAD REACH (MM)	N/A
OPERATING TEMPERATURE (°C)	N/A

EXTERNAL MATERIAL	HIGH DENSITY POLYETHYLENE
INTERNAL MATERIAL	HIGH DENSITY POLYETHYLENE
STORAGE REQUIREMENTS	CLEAN & DRY
MSDS REQUIRED	N/A
BOX QUANTITY	EACH

## SPECIAL INSTRUCTIONS

APPROVALS				APPROVALS
	SUPERVISOR: STORES	HEAD: ASSETS & SUPPLY CHAIN	HEAD: DEPARTMENT	

# STORES STOCK ITEM SPECIFICATION & TECHNICAL DATA SHEET



**BERGRIVIER  
MUNICIPALITY**



ITEM NUMBER

WTR-0005001

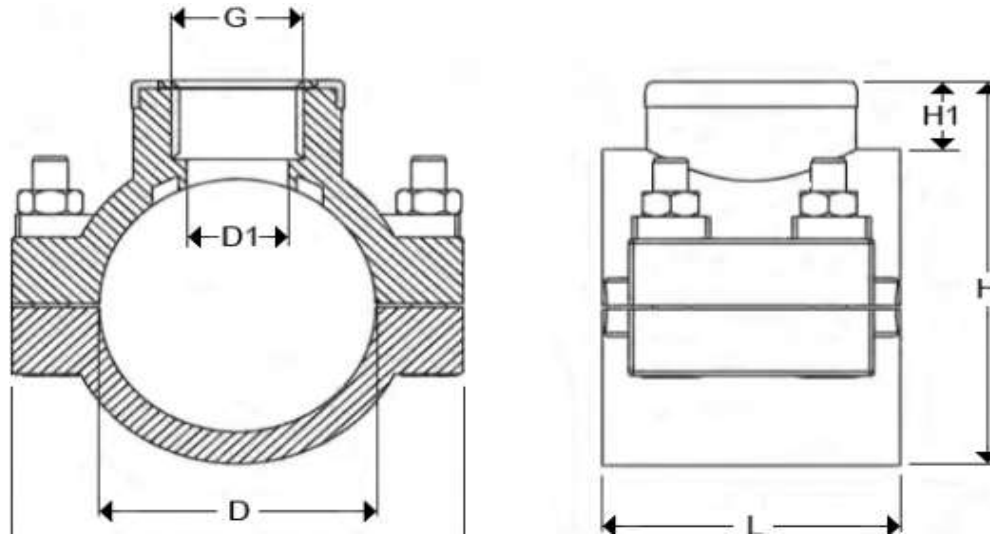
SHORT  
DESCRIPTION

CLAMP SADDLE PVC - 50MMX20MM

LONG DETAILED  
DESCRIPTION

CLAMP SADDLE PVC - 50MMX20MM

## TECHNICAL DRAWINGS



## TECHNICAL SPECIFICATIONS

SIZE A (MM)	50MM
SIZE B (MM)	20MM
SIZE C (MM)	N/A
SIZE D	N/A
BRAND	N/A
MANUFACTURER WARRANTY	N/A
MAXIMUM PRESSURE	N/A
MINIMUM PRESSURE	N/A
MAXIMUM TEMPERATURE (°C)	N/A
MINIMUM TEMPERATURE (°C)	N/A
THREAD PITCH (MM)	N/A
THREAD REACH (MM)	N/A
OPERATING TEMPERATURE (°C)	N/A

EXTERNAL MATERIAL	MPVC
INTERNAL MATERIAL	MPVC
STORAGE REQUIREMENTS	CLEAN & DRY
MSDS REQUIRED	N/A
BOX QUANTITY	EACH

## SPECIAL INSTRUCTIONS

APPROVALS

SUPERVISOR: STORES

HEAD: ASSETS & SUPPLY CHAIN

HEAD: DEPARTMENT

APPROVALS

# STORES STOCK ITEM SPECIFICATION & TECHNICAL DATA SHEET



**BERGRIVIER  
MUNICIPALITY**



ITEM NUMBER

WTR-0005002

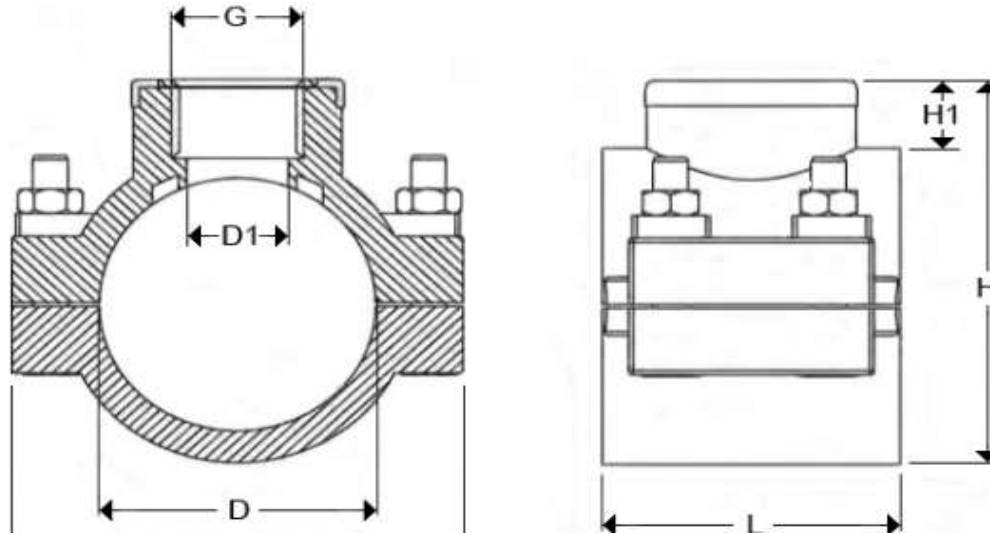
SHORT  
DESCRIPTION

CLAMP SADDLE PVC - 63MMX20MM

LONG DETAILED  
DESCRIPTION

CLAMP SADDLE PVC - 63MMX20MM

## TECHNICAL DRAWINGS



## TECHNICAL SPECIFICATIONS

SIZE A (MM)	63MM
SIZE B (MM)	20MM
SIZE C (MM)	N/A
SIZE D	N/A
BRAND	N/A
MANUFACTURER WARRANTY	N/A
MAXIMUM PRESSURE	N/A
MINIMUM PRESSURE	N/A
MAXIMUM TEMPERATURE (°C)	N/A
MINIMUM TEMPERATURE (°C)	N/A
THREAD PITCH (MM)	N/A
THREAD REACH (MM)	N/A
OPERATING TEMPERATURE (°C)	N/A

EXTERNAL MATERIAL	MPVC
INTERNAL MATERIAL	MPVC
STORAGE REQUIREMENTS	CLEAN & DRY
MSDS REQUIRED	N/A
BOX QUANTITY	EACH

## SPECIAL INSTRUCTIONS

APPROVALS

SUPERVISOR: STORES

HEAD: ASSETS & SUPPLY CHAIN

HEAD: DEPARTMENT

APPROVALS

# STORES STOCK ITEM SPECIFICATION & TECHNICAL DATA SHEET



**BERGRIVIER  
MUNICIPALITY**



ITEM NUMBER

WTR-0005003

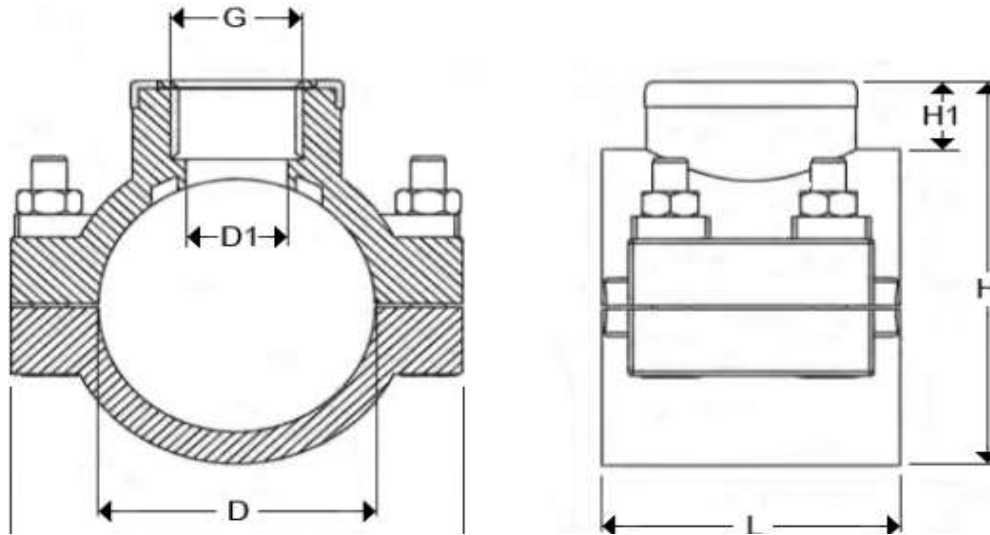
SHORT  
DESCRIPTION

CLAMP SADDLE PVC - 75MMX20MM

LONG DETAILED  
DESCRIPTION

CLAMP SADDLE PVC - 75MMX20MM

## TECHNICAL DRAWINGS



## TECHNICAL SPECIFICATIONS

SIZE A (MM)	75MM
SIZE B (MM)	20MM
SIZE C (MM)	N/A
SIZE D	N/A
BRAND	N/A
MANUFACTURER WARRANTY	N/A
MAXIMUM PRESSURE	N/A
MINIMUM PRESSURE	N/A
MAXIMUM TEMPERATURE (°C)	N/A
MINIMUM TEMPERATURE (°C)	N/A
THREAD PITCH (MM)	N/A
THREAD REACH (MM)	N/A
OPERATING TEMPERATURE (°C)	N/A

EXTERNAL MATERIAL	MPVC
INTERNAL MATERIAL	MPVC
STORAGE REQUIREMENTS	CLEAN & DRY
MSDS REQUIRED	N/A
BOX QUANTITY	EACH

## SPECIAL INSTRUCTIONS

APPROVALS

SUPERVISOR: STORES

HEAD: ASSETS & SUPPLY CHAIN

HEAD: DEPARTMENT

APPROVALS

# STORES STOCK ITEM SPECIFICATION & TECHNICAL DATA SHEET



**BERGRIVIER  
MUNICIPALITY**



ITEM NUMBER

WTR-0005004

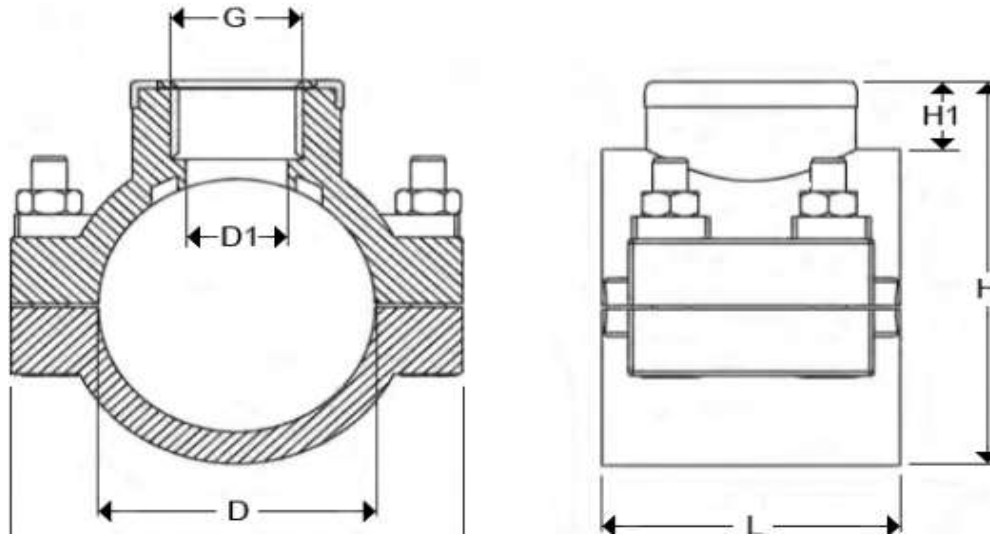
SHORT  
DESCRIPTION

CLAMP SADDLE PVC - 90MMX20MM

LONG DETAILED  
DESCRIPTION

CLAMP SADDLE PVC - 90MMX20MM

## TECHNICAL DRAWINGS



## TECHNICAL SPECIFICATIONS

SIZE A (MM)	90MM
SIZE B (MM)	20MM
SIZE C (MM)	N/A
SIZE D	N/A
BRAND	N/A
MANUFACTURER WARRANTY	N/A
MAXIMUM PRESSURE	N/A
MINIMUM PRESSURE	N/A
MAXIMUM TEMPERATURE (°C)	N/A
MINIMUM TEMPERATURE (°C)	N/A
THREAD PITCH (MM)	N/A
THREAD REACH (MM)	N/A
OPERATING TEMPERATURE (°C)	N/A

EXTERNAL MATERIAL	MPVC
INTERNAL MATERIAL	MPVC
STORAGE REQUIREMENTS	CLEAN & DRY
MSDS REQUIRED	N/A
BOX QUANTITY	EACH

## SPECIAL INSTRUCTIONS

APPROVALS

SUPERVISOR: STORES

HEAD: ASSETS & SUPPLY CHAIN

HEAD: DEPARTMENT

APPROVALS



# STORES STOCK ITEM SPECIFICATION & TECHNICAL DATA SHEET



**BERGRIVIER  
MUNICIPALITY**



ITEM NUMBER

WTR-0005005

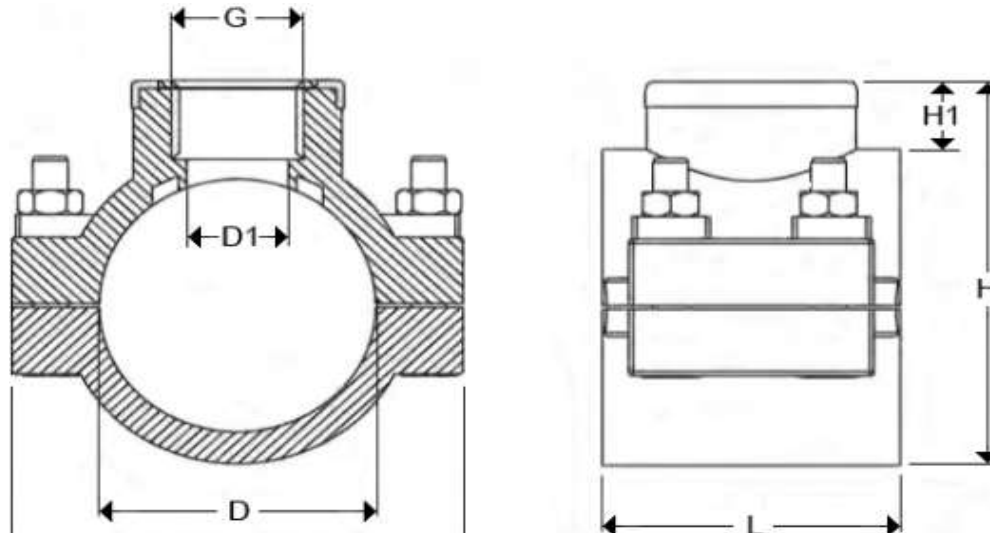
SHORT  
DESCRIPTION

CLAMP SADDLE PVC - 100MMX20MM

LONG DETAILED  
DESCRIPTION

CLAMP SADDLE PVC - 100MMX20MM

## TECHNICAL DRAWINGS



## TECHNICAL SPECIFICATIONS

SIZE A (MM)	100MM
SIZE B (MM)	20MM
SIZE C (MM)	N/A
SIZE D	N/A
BRAND	N/A
MANUFACTURER WARRANTY	N/A
MAXIMUM PRESSURE	N/A
MINIMUM PRESSURE	N/A
MAXIMUM TEMPERATURE (°C)	N/A
MINIMUM TEMPERATURE (°C)	N/A
THREAD PITCH (MM)	N/A
THREAD REACH (MM)	N/A
OPERATING TEMPERATURE (°C)	N/A

EXTERNAL MATERIAL	MPVC
INTERNAL MATERIAL	MPVC
STORAGE REQUIREMENTS	CLEAN & DRY
MSDS REQUIRED	N/A
BOX QUANTITY	EACH

## SPECIAL INSTRUCTIONS

APPROVALS

SUPERVISOR: STORES

HEAD: ASSETS & SUPPLY CHAIN

HEAD: DEPARTMENT

APPROVALS



# STORES STOCK ITEM SPECIFICATION & TECHNICAL DATA SHEET



**BERGRIVIER  
MUNICIPALITY**



ITEM NUMBER

WTR-0005006

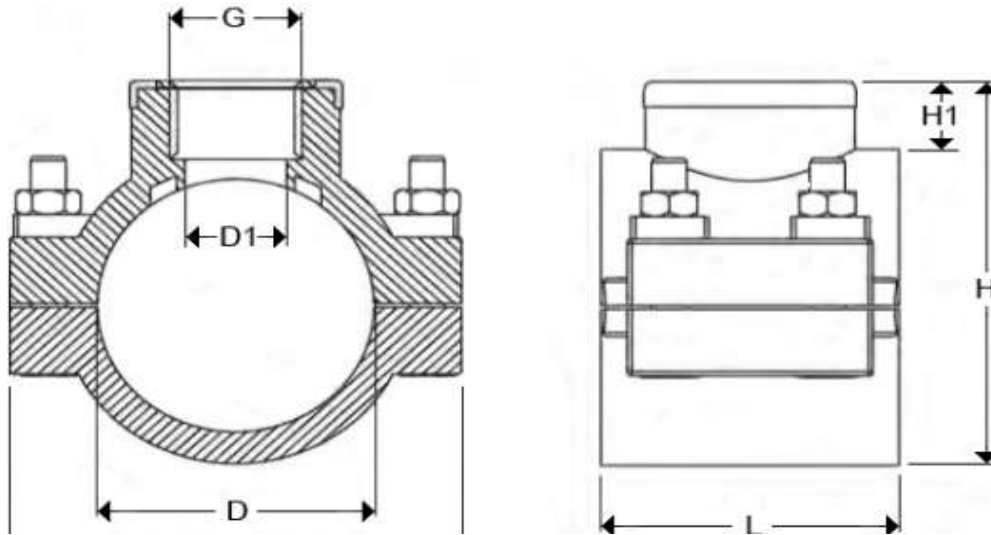
SHORT  
DESCRIPTION

CLAMP SADDLE PVC - 110MMX20MM

LONG DETAILED  
DESCRIPTION

CLAMP SADDLE PVC - 110MMX20MM

## TECHNICAL DRAWINGS



## TECHNICAL SPECIFICATIONS

SIZE A (MM)	110MM
SIZE B (MM)	20MM
SIZE C (MM)	N/A
SIZE D	N/A
BRAND	N/A
MANUFACTURER WARRANTY	N/A
MAXIMUM PRESSURE	N/A
MINIMUM PRESSURE	N/A
MAXIMUM TEMPERATURE (°C)	N/A
MINIMUM TEMPERATURE (°C)	N/A
THREAD PITCH (MM)	N/A
THREAD REACH (MM)	N/A
OPERATING TEMPERATURE (°C)	N/A

EXTERNAL MATERIAL	MPVC
INTERNAL MATERIAL	MPVC
STORAGE REQUIREMENTS	CLEAN & DRY
MSDS REQUIRED	N/A
BOX QUANTITY	EACH

## SPECIAL INSTRUCTIONS

APPROVALS

SUPERVISOR: STORES

HEAD: ASSETS & SUPPLY CHAIN

HEAD: DEPARTMENT

APPROVALS

# STORES STOCK ITEM SPECIFICATION & TECHNICAL DATA SHEET



**BERGRIVIER  
MUNICIPALITY**



ITEM NUMBER

WTR-0005007

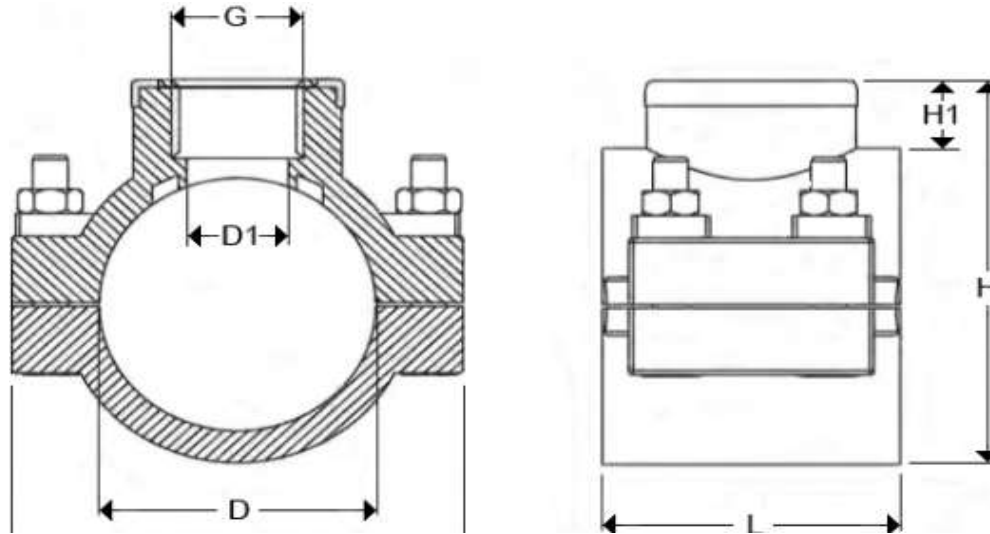
SHORT  
DESCRIPTION

CLAMP SADDLE PVC - 150MMX20MM

LONG DETAILED  
DESCRIPTION

CLAMP SADDLE PVC - 150MMX20MM

## TECHNICAL DRAWINGS



## TECHNICAL SPECIFICATIONS

SIZE A (MM)	150MM
SIZE B (MM)	20MM
SIZE C (MM)	N/A
SIZE D	N/A
BRAND	N/A
MANUFACTURER WARRANTY	N/A
MAXIMUM PRESSURE	N/A
MINIMUM PRESSURE	N/A
MAXIMUM TEMPERATURE (°C)	N/A
MINIMUM TEMPERATURE (°C)	N/A
THREAD PITCH (MM)	N/A
THREAD REACH (MM)	N/A
OPERATING TEMPERATURE (°C)	N/A

EXTERNAL MATERIAL	MPVC
INTERNAL MATERIAL	MPVC
STORAGE REQUIREMENTS	CLEAN & DRY
MSDS REQUIRED	N/A
BOX QUANTITY	EACH

## SPECIAL INSTRUCTIONS

APPROVALS

SUPERVISOR: STORES

HEAD: ASSETS & SUPPLY CHAIN

HEAD: DEPARTMENT

APPROVALS

# STORES STOCK ITEM SPECIFICATION & TECHNICAL DATA SHEET



**BERGRIVIER  
MUNICIPALITY**



ITEM NUMBER

WTR-0005008

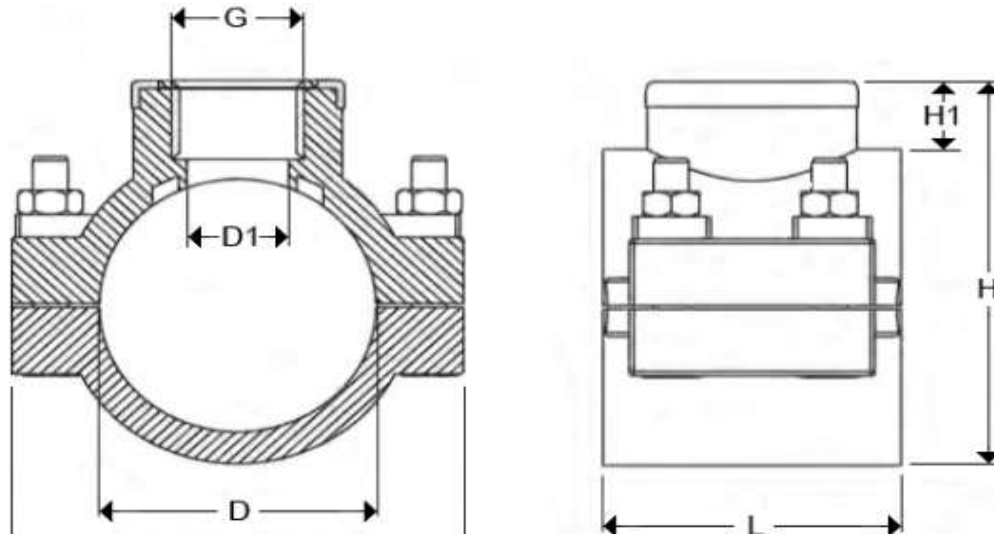
SHORT  
DESCRIPTION

CLAMP SADDLE PVC - 160MMX20MM

LONG DETAILED  
DESCRIPTION

CLAMP SADDLE PVC - 160MMX20MM

## TECHNICAL DRAWINGS



## TECHNICAL SPECIFICATIONS

SIZE A (MM)	160MM
SIZE B (MM)	20MM
SIZE C (MM)	N/A
SIZE D	N/A
BRAND	N/A
MANUFACTURER WARRANTY	N/A
MAXIMUM PRESSURE	N/A
MINIMUM PRESSURE	N/A
MAXIMUM TEMPERATURE (°C)	N/A
MINIMUM TEMPERATURE (°C)	N/A
THREAD PITCH (MM)	N/A
THREAD REACH (MM)	N/A
OPERATING TEMPERATURE (°C)	N/A

EXTERNAL MATERIAL	MPVC
INTERNAL MATERIAL	MPVC
STORAGE REQUIREMENTS	CLEAN & DRY
MSDS REQUIRED	N/A
BOX QUANTITY	EACH

## SPECIAL INSTRUCTIONS

APPROVALS

SUPERVISOR: STORES

HEAD: ASSETS & SUPPLY CHAIN

HEAD: DEPARTMENT

APPROVALS

# STORES STOCK ITEM SPECIFICATION & TECHNICAL DATA SHEET



**BERGRIVIER  
MUNICIPALITY**



ITEM NUMBER

WTR-0005009

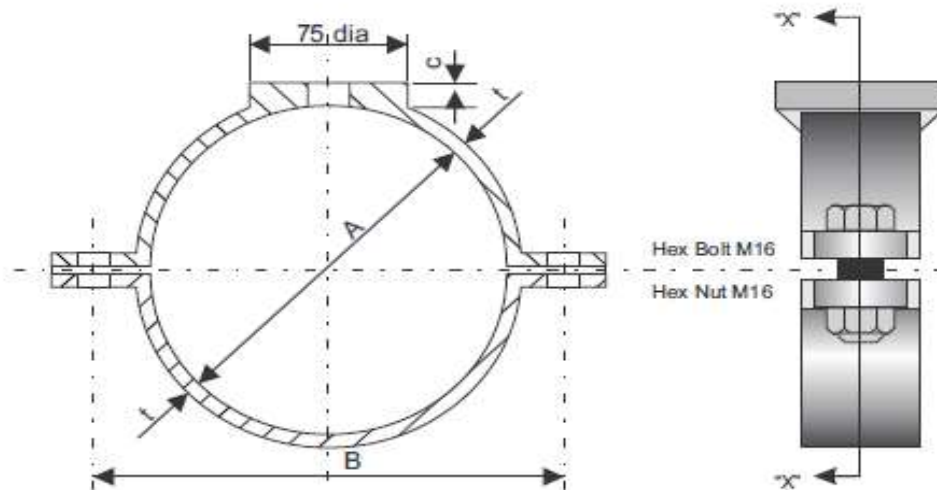
SHORT  
DESCRIPTION

CLAMP SADDLE CAST IRON - 50 (FOR F.C. PIPES)

LONG DETAILED  
DESCRIPTION

CLAMP SADDLE CAST IRON - 50 (FOR F.C. PIPES)

## TECHNICAL DRAWINGS



## TECHNICAL SPECIFICATIONS

SIZE A (MM)	76
SIZE B (MM)	116
SIZE C (MM)	N/A
SIZE D	N/A
BRAND	N/A
MANUFACTURER WARRANTY	N/A
MAXIMUM PRESSURE	N/A
MINIMUM PRESSURE	N/A
MAXIMUM TEMPERATURE (°C)	N/A
MINIMUM TEMPERATURE (°C)	N/A
THREAD PITCH (MM)	N/A
THREAD REACH (MM)	N/A
OPERATING TEMPERATURE (°C)	N/A

EXTERNAL MATERIAL CAST IRON - POWDERCOATED

INTERNAL MATERIAL CAST IRON - POWDERCOATED

STORAGE REQUIREMENTS CLEAN & DRY

MSDS REQUIRED N/A

BOX QUANTITY EACH

## SPECIAL INSTRUCTIONS

APPROVALS

SUPERVISOR: STORES

HEAD: ASSETS & SUPPLY CHAIN

HEAD: DEPARTMENT

APPROVALS

# STORES STOCK ITEM SPECIFICATION & TECHNICAL DATA SHEET



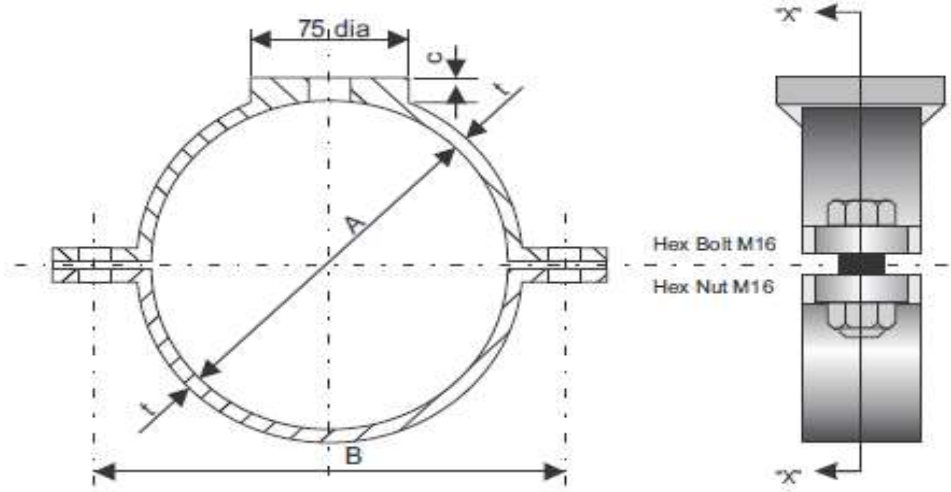
**BERGRIVIER  
MUNICIPALITY**



ITEM NUMBER	WTR-0005010
SHORT DESCRIPTION	CLAMP SADDLE CAST IRON - 75 (FOR F.C. PIPES)
LONG DETAILED DESCRIPTION	CLAMP SADDLE CAST IRON - 75 (FOR F.C. PIPES)

## TECHNICAL DRAWINGS

## TECHNICAL SPECIFICATIONS



SIZE A (MM)	102
SIZE B (MM)	142
SIZE C (MM)	N/A
SIZE D	N/A
BRAND	KLINGER/SANSPAR
MANUFACTURER WARRANTY	N/A
MAXIMUM PRESSURE	N/A
MINIMUM PRESSURE	N/A
MAXIMUM TEMPERATURE (°C)	N/A
MINIMUM TEMPERATURE (°C)	N/A
THREAD PITCH (MM)	N/A
THREAD REACH (MM)	N/A
OPERATING TEMPERATURE (°C)	N/A

EXTERNAL MATERIAL	CAST IRON - POWDERCOATED
INTERNAL MATERIAL	CAST IRON - POWDERCOATED
STORAGE REQUIREMENTS	CLEAN & DRY
MSDS REQUIRED	N/A
BOX QUANTITY	EACH

## SPECIAL INSTRUCTIONS

APPROVALS		
	SUPERVISOR: STORES	HEAD: ASSETS & SUPPLY CHAIN

HEAD: DEPARTMENT	APPROVALS

# STORES STOCK ITEM SPECIFICATION & TECHNICAL DATA SHEET



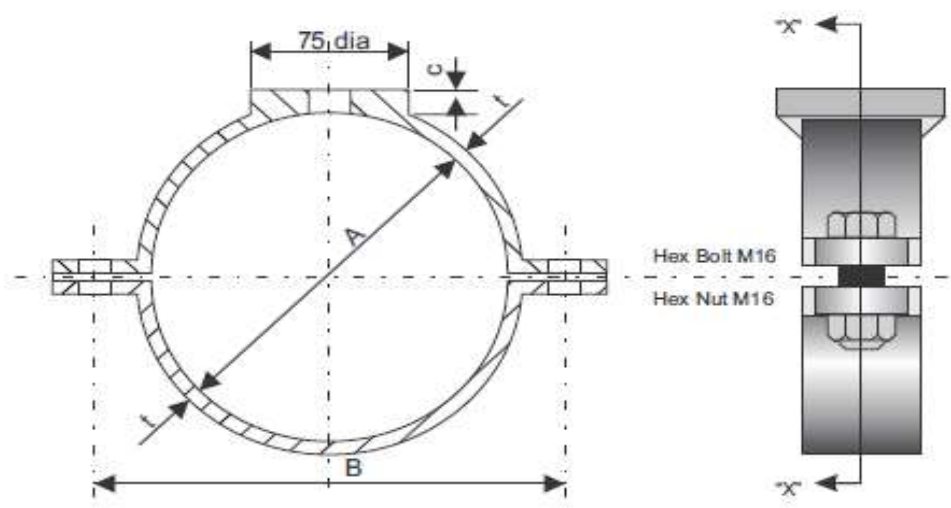
**BERGRIVIER  
MUNICIPALITY**



ITEM NUMBER	WTR-0005011
SHORT DESCRIPTION	CLAMP SADDLE CAST IRON - 100 (FOR F.C. PIPES)
LONG DETAILED DESCRIPTION	CLAMP SADDLE CAST IRON - 100 (FOR F.C. PIPES)

## TECHNICAL DRAWINGS

## TECHNICAL SPECIFICATIONS



SIZE A (MM)	128
SIZE B (MM)	168
SIZE C (MM)	N/A
SIZE D	N/A
BRAND	KLINGER/SANSPAR
MANUFACTURER WARRANTY	N/A
MAXIMUM PRESSURE	N/A
MINIMUM PRESSURE	N/A
MAXIMUM TEMPERATURE (°C)	N/A
MINIMUM TEMPERATURE (°C)	N/A
THREAD PITCH (MM)	N/A
THREAD REACH (MM)	N/A
OPERATING TEMPERATURE (°C)	N/A

EXTERNAL MATERIAL	CAST IRON - POWDERCOATED
INTERNAL MATERIAL	CAST IRON - POWDERCOATED
STORAGE REQUIREMENTS	CLEAN & DRY
MSDS REQUIRED	N/A
BOX QUANTITY	EACH

## SPECIAL INSTRUCTIONS

APPROVALS		
	SUPERVISOR: STORES	HEAD: ASSETS & SUPPLY CHAIN

HEAD: DEPARTMENT	APPROVALS



# STORES STOCK ITEM SPECIFICATION & TECHNICAL DATA SHEET

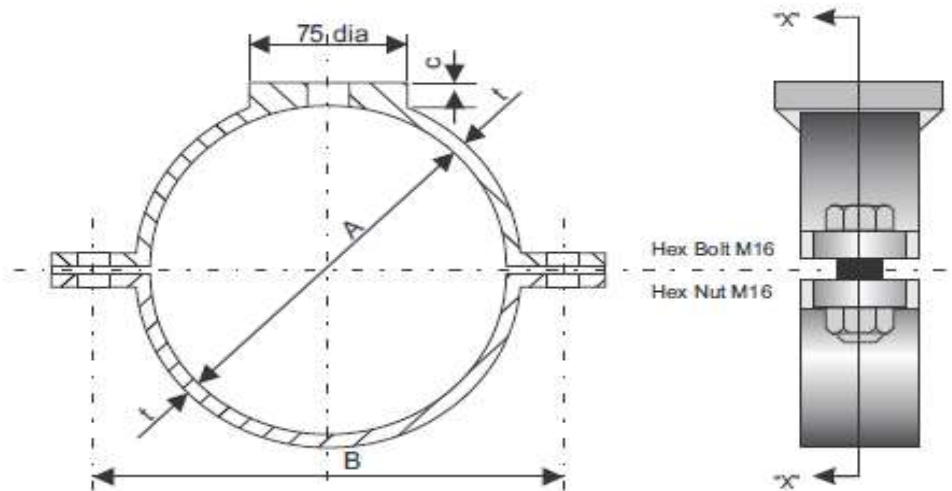


**BERGRIVIER  
MUNICIPALITY**



ITEM NUMBER	WTR-0005012
SHORT DESCRIPTION	CLAMP SADDLE CAST IRON - 125 (FOR F.C. PIPES)
LONG DETAILED DESCRIPTION	CLAMP SADDLE CAST IRON - 125 (FOR F.C. PIPES)

## TECHNICAL DRAWINGS



## TECHNICAL SPECIFICATIONS

SIZE A (MM)	157
SIZE B (MM)	197
SIZE C (MM)	N/A
SIZE D	N/A
BRAND	KLINGER/SANSPAR
MANUFACTURER WARRANTY	N/A
MAXIMUM PRESSURE	N/A
MINIMUM PRESSURE	N/A
MAXIMUM TEMPERATURE (°C)	N/A
MINIMUM TEMPERATURE (°C)	N/A
THREAD PITCH (MM)	N/A
THREAD REACH (MM)	N/A
OPERATING TEMPERATURE (°C)	N/A

EXTERNAL MATERIAL	CAST IRON - POWDERCOATED
INTERNAL MATERIAL	CAST IRON - POWDERCOATED
STORAGE REQUIREMENTS	CLEAN & DRY
MSDS REQUIRED	N/A
BOX QUANTITY	EACH

## SPECIAL INSTRUCTIONS

APPROVALS				APPROVALS
	SUPERVISOR: STORES	HEAD: ASSETS & SUPPLY CHAIN	HEAD: DEPARTMENT	

# STORES STOCK ITEM SPECIFICATION & TECHNICAL DATA SHEET



**BERGRIVIER  
MUNICIPALITY**

	ITEM NUMBER	WTR-0005014
	SHORT DESCRIPTION	CLAMP SADDLE CAST IRON - 200 (FOR F.C. PIPES)
	LONG DETAILED DESCRIPTION	CLAMP SADDLE CAST IRON - 200 (FOR F.C. PIPES)

TECHNICAL DRAWINGS		TECHNICAL SPECIFICATIONS		
		SIZE A (MM)	238	
		SIZE B (MM)	278	
		SIZE C (MM)	N/A	
		SIZE D	N/A	
		BRAND	KLINGER/SANSPAR	
		MANUFACTURER WARRANTY	N/A	
		MAXIMUM PRESSURE	N/A	
		MINIMUM PRESSURE	N/A	
		MAXIMUM TEMPERATURE (°C)	N/A	
		MINIMUM TEMPERATURE (°C)	N/A	
THREAD PITCH (MM)	N/A			
THREAD REACH (MM)	N/A			
OPERATING TEMPERATURE (°C)	N/A			
EXTERNAL MATERIAL		CAST IRON - POWDERCOATED	SPECIAL INSTRUCTIONS	
INTERNAL MATERIAL		CAST IRON - POWDERCOATED		
STORAGE REQUIREMENTS		CLEAN & DRY		
MSDS REQUIRED		N/A		
BOX QUANTITY		EACH		
APPROVALS				APPROVALS
	SUPERVISOR: STORES	HEAD: ASSETS & SUPPLY CHAIN	HEAD: DEPARTMENT	



# STORES STOCK ITEM SPECIFICATION & TECHNICAL DATA SHEET

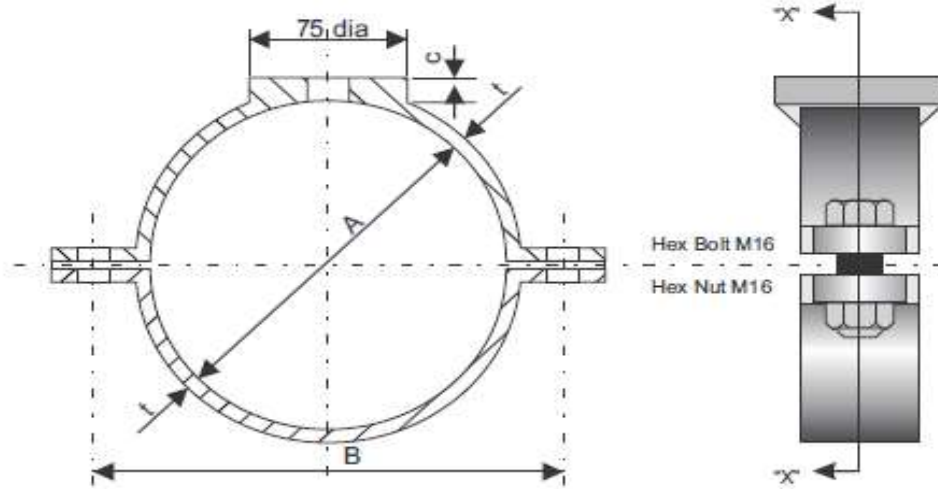


**BERGRIVIER  
MUNICIPALITY**



ITEM NUMBER	WTR-0005015
SHORT DESCRIPTION	CLAMP SADDLE CAST IRON - 150 (FOR F.C. PIPES)
LONG DETAILED DESCRIPTION	CLAMP SADDLE CAST IRON - 150 (FOR F.C. PIPES)

## TECHNICAL DRAWINGS



## TECHNICAL SPECIFICATIONS

SIZE A (MM)	183
SIZE B (MM)	223
SIZE C (MM)	N/A
SIZE D	N/A
BRAND	KLINGER/SANSPAR
MANUFACTURER WARRANTY	N/A
MAXIMUM PRESSURE	N/A
MINIMUM PRESSURE	N/A
MAXIMUM TEMPERATURE (°C)	N/A
MINIMUM TEMPERATURE (°C)	N/A
THREAD PITCH (MM)	N/A
THREAD REACH (MM)	N/A
OPERATING TEMPERATURE (°C)	N/A

EXTERNAL MATERIAL	CAST IRON - POWDERCOATED
INTERNAL MATERIAL	CAST IRON - POWDERCOATED
STORAGE REQUIREMENTS	CLEAN & DRY
MSDS REQUIRED	N/A
BOX QUANTITY	EACH

## SPECIAL INSTRUCTIONS

APPROVALS				APPROVALS
	SUPERVISOR: STORES	HEAD: ASSETS & SUPPLY CHAIN	HEAD: DEPARTMENT	

# STORES STOCK ITEM SPECIFICATION & TECHNICAL DATA SHEET

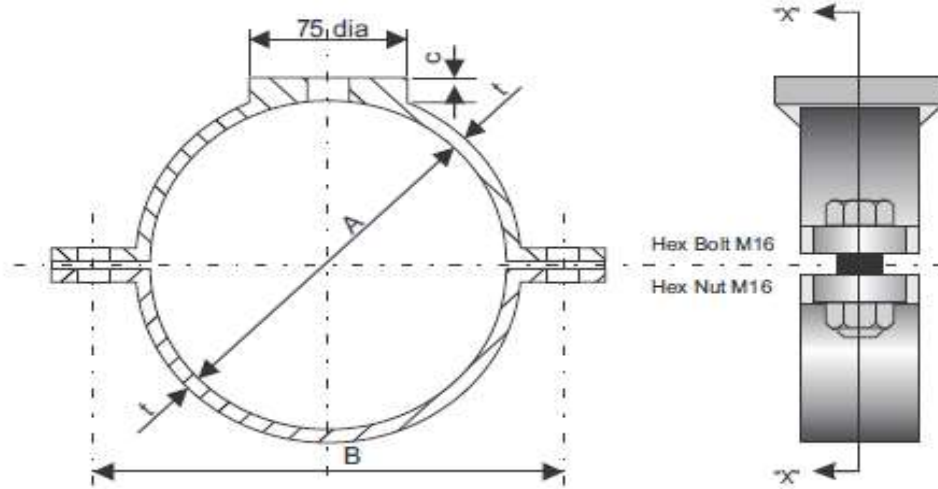


**BERGRIVIER  
MUNICIPALITY**



ITEM NUMBER	WTR-0005016
SHORT DESCRIPTION	CLAMP SADDLE CAST IRON - 300 (FOR F.C. PIPES)
LONG DETAILED DESCRIPTION	CLAMP SADDLE CAST IRON - 300 (FOR F.C. PIPES)

## TECHNICAL DRAWINGS



## TECHNICAL SPECIFICATIONS

SIZE A (MM)	183
SIZE B (MM)	223
SIZE C (MM)	N/A
SIZE D	N/A
BRAND	KLINGER/SANSPAR
MANUFACTURER WARRANTY	N/A
MAXIMUM PRESSURE	N/A
MINIMUM PRESSURE	N/A
MAXIMUM TEMPERATURE (°C)	N/A
MINIMUM TEMPERATURE (°C)	N/A
THREAD PITCH (MM)	N/A
THREAD REACH (MM)	N/A
OPERATING TEMPERATURE (°C)	N/A

EXTERNAL MATERIAL	CAST IRON - POWDERCOATED
INTERNAL MATERIAL	CAST IRON - POWDERCOATED
STORAGE REQUIREMENTS	CLEAN & DRY
MSDS REQUIRED	N/A
BOX QUANTITY	EACH

## SPECIAL INSTRUCTIONS

APPROVALS				APPROVALS
	SUPERVISOR: STORES	HEAD: ASSETS & SUPPLY CHAIN	HEAD: DEPARTMENT	

# STORES STOCK ITEM SPECIFICATION & TECHNICAL DATA SHEET



**BERGRIVIER  
MUNICIPALITY**



ITEM NUMBER

WTR-0006001

SHORT  
DESCRIPTION

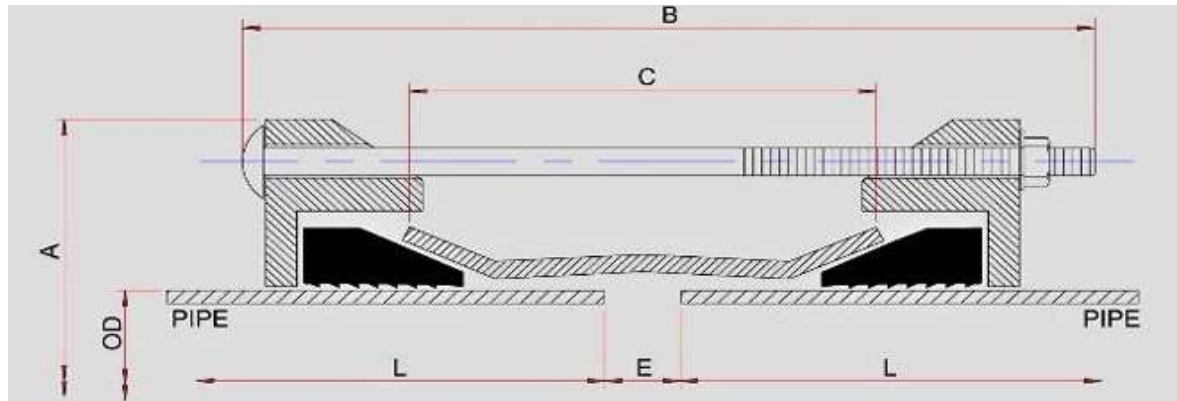
RANGER COUPLING 59 - 78MM

LONG DETAILED  
DESCRIPTION

RANGER COUPLING 59 - 78MM

## TECHNICAL DRAWINGS

## TECHNICAL SPECIFICATIONS



OD RANGE FROM:	59MM
OD RANGE TO:	78MM
SIZE C (MM)	N/A
SIZE D	N/A
BRAND	KLINGER/UNI-FLOW/KLAMFLEX OR SIMILAR
MANUFACTURER WARRANTY	N/A
MAXIMUM PRESSURE	N/A
MINIMUM PRESSURE	N/A
MAXIMUM TEMPERATURE (°C)	N/A
MINIMUM TEMPERATURE (°C)	N/A
THREAD PITCH (MM)	N/A
THREAD REACH (MM)	N/A
OPERATING TEMPERATURE (°C)	N/A

EXTERNAL MATERIAL	CAST IRON - POWDERCOATED
INTERNAL MATERIAL	CAST IRON - POWDERCOATED
STORAGE REQUIREMENTS	CLEAN & DRY
MSDS REQUIRED	N/A
BOX QUANTITY	EACH

## SPECIAL INSTRUCTIONS

APPROVALS

SUPERVISOR: STORES

HEAD: ASSETS & SUPPLY CHAIN

HEAD: DEPARTMENT

APPROVALS

# STORES STOCK ITEM SPECIFICATION & TECHNICAL DATA SHEET



**BERGRIVIER  
MUNICIPALITY**



ITEM NUMBER

WTR-0006002

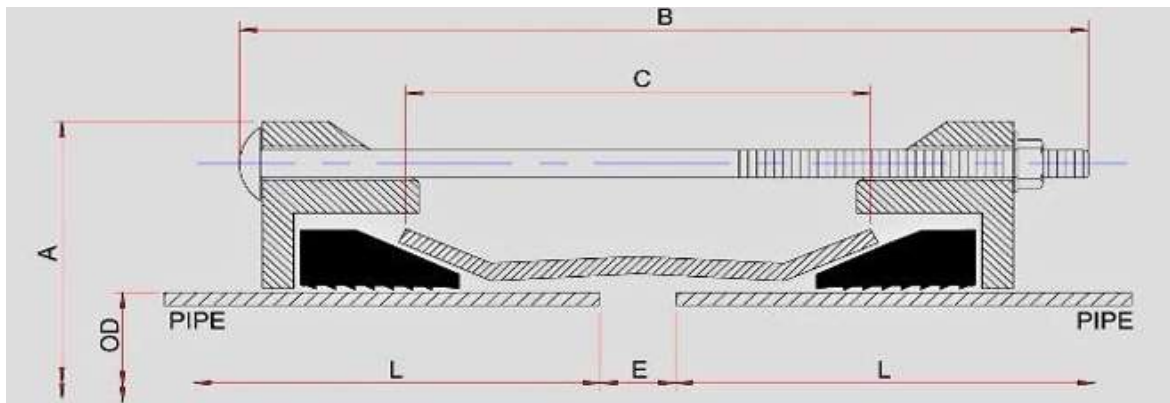
SHORT  
DESCRIPTION

RANGER COUPLING 59 - 72MM

LONG DETAILED  
DESCRIPTION

RANGER COUPLING 59 - 72MM

## TECHNICAL DRAWINGS



## TECHNICAL SPECIFICATIONS

OD RANGE FROM:	59MM
OD RANGE TO:	72MM
SIZE C (MM)	N/A
SIZE D	N/A
BRAND	KLINGER/UNI-FLOW/KLAMFLEX OR SIMILAR
MANUFACTURER WARRANTY	N/A
MAXIMUM PRESSURE	N/A
MINIMUM PRESSURE	N/A
MAXIMUM TEMPERATURE (°C)	N/A
MINIMUM TEMPERATURE (°C)	N/A
THREAD PITCH (MM)	N/A
THREAD REACH (MM)	N/A
OPERATING TEMPERATURE (°C)	N/A

EXTERNAL MATERIAL	CAST IRON - POWDERCOATED
INTERNAL MATERIAL	CAST IRON - POWDERCOATED
STORAGE REQUIREMENTS	CLEAN & DRY
MSDS REQUIRED	N/A
BOX QUANTITY	EACH

## SPECIAL INSTRUCTIONS

APPROVALS

SUPERVISOR: STORES

HEAD: ASSETS & SUPPLY CHAIN

HEAD: DEPARTMENT

APPROVALS

# STORES STOCK ITEM SPECIFICATION & TECHNICAL DATA SHEET



**BERGRIVIER  
MUNICIPALITY**



ITEM NUMBER

WTR-0006003

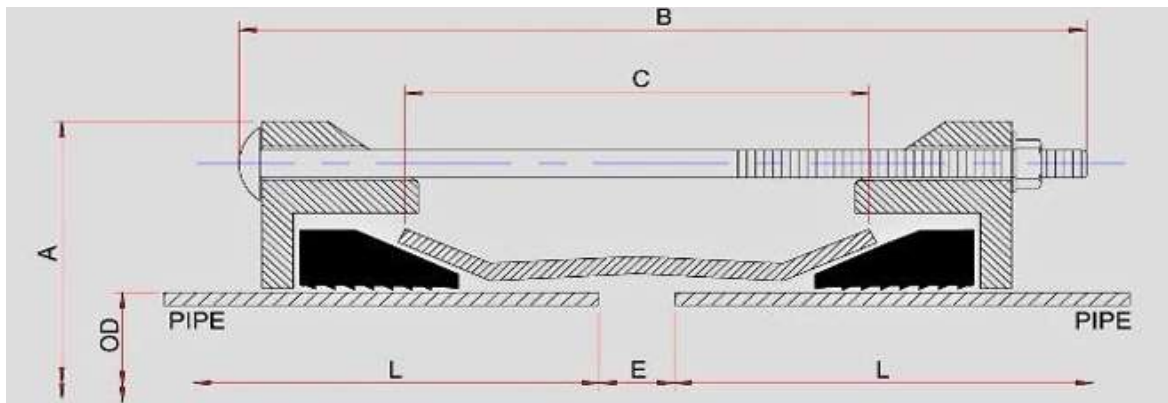
SHORT  
DESCRIPTION

RANGER COUPLING 72 - 85MM

LONG DETAILED  
DESCRIPTION

RANGER COUPLING 72 - 85MM

## TECHNICAL DRAWINGS



## TECHNICAL SPECIFICATIONS

OD RANGE FROM:	72MM
OD RANGE TO:	85MM
SIZE C (MM)	N/A
SIZE D	N/A
BRAND	KLINGER/UNI-FLOW/KLAMFLEX OR SIMILAR
MANUFACTURER WARRANTY	N/A
MAXIMUM PRESSURE	N/A
MINIMUM PRESSURE	N/A
MAXIMUM TEMPERATURE (°C)	N/A
MINIMUM TEMPERATURE (°C)	N/A
THREAD PITCH (MM)	N/A
THREAD REACH (MM)	N/A
OPERATING TEMPERATURE (°C)	N/A

EXTERNAL MATERIAL	CAST IRON - POWDERCOATED
INTERNAL MATERIAL	CAST IRON - POWDERCOATED
STORAGE REQUIREMENTS	CLEAN & DRY
MSDS REQUIRED	N/A
BOX QUANTITY	EACH

## SPECIAL INSTRUCTIONS

APPROVALS

SUPERVISOR: STORES

HEAD: ASSETS & SUPPLY CHAIN

HEAD: DEPARTMENT

APPROVALS

# STORES STOCK ITEM SPECIFICATION & TECHNICAL DATA SHEET



**BERGRIVIER  
MUNICIPALITY**



ITEM NUMBER

WTR-0006004

SHORT  
DESCRIPTION

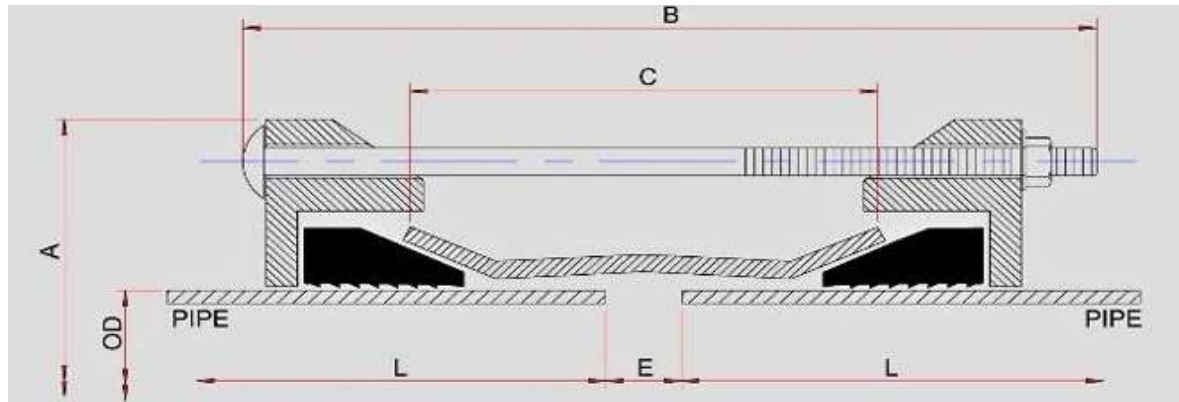
RANGER COUPLING 83 - 102MM

LONG DETAILED  
DESCRIPTION

RANGER COUPLING 83 - 102MM

## TECHNICAL DRAWINGS

## TECHNICAL SPECIFICATIONS



OD RANGE FROM:	83MM
OD RANGE TO:	102MM
SIZE C (MM)	N/A
SIZE D	N/A
BRAND	KLINGER/UNI-FLOW/KLAMFLEX OR SIMILAR
MANUFACTURER WARRANTY	N/A
MAXIMUM PRESSURE	N/A
MINIMUM PRESSURE	N/A
MAXIMUM TEMPERATURE (°C)	N/A
MINIMUM TEMPERATURE (°C)	N/A
THREAD PITCH (MM)	N/A
THREAD REACH (MM)	N/A
OPERATING TEMPERATURE (°C)	N/A

EXTERNAL MATERIAL	CAST IRON - POWDERCOATED
INTERNAL MATERIAL	CAST IRON - POWDERCOATED
STORAGE REQUIREMENTS	CLEAN & DRY
MSDS REQUIRED	N/A
BOX QUANTITY	EACH

## SPECIAL INSTRUCTIONS

APPROVALS

SUPERVISOR: STORES

HEAD: ASSETS & SUPPLY CHAIN

HEAD: DEPARTMENT

APPROVALS



# STORES STOCK ITEM SPECIFICATION & TECHNICAL DATA SHEET



**BERGRIVIER  
MUNICIPALITY**



ITEM NUMBER

WTR-0006005

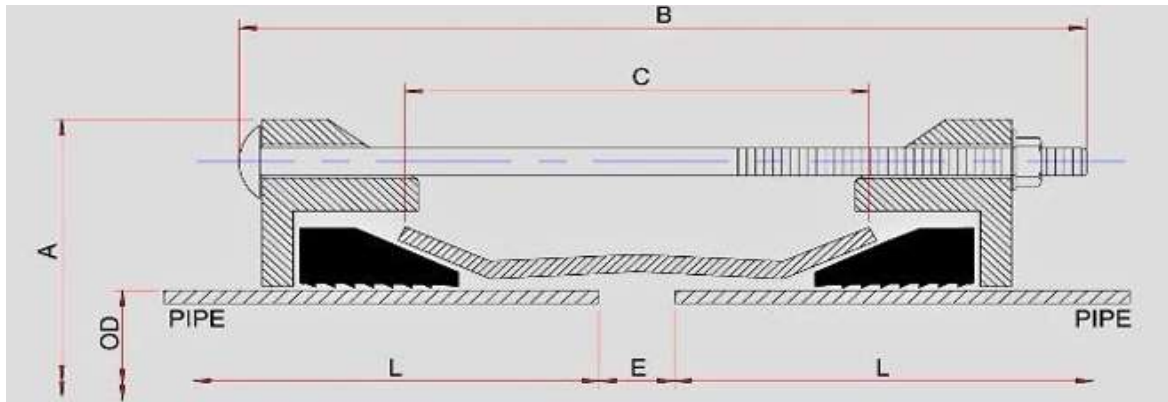
SHORT  
DESCRIPTION

RANGER COUPLING 88 - 103MM

LONG DETAILED  
DESCRIPTION

RANGER COUPLING 88 - 103MM

## TECHNICAL DRAWINGS



## TECHNICAL SPECIFICATIONS

OD RANGE FROM:	88MM
OD RANGE TO:	103MM
SIZE C (MM)	N/A
SIZE D	N/A
BRAND	KLINGER/UNI-FLOW/KLAMFLEX OR SIMILAR
MANUFACTURER WARRANTY	N/A
MAXIMUM PRESSURE	N/A
MINIMUM PRESSURE	N/A
MAXIMUM TEMPERATURE (°C)	N/A
MINIMUM TEMPERATURE (°C)	N/A
THREAD PITCH (MM)	N/A
THREAD REACH (MM)	N/A
OPERATING TEMPERATURE (°C)	N/A

EXTERNAL MATERIAL	CAST IRON - POWDERCOATED
INTERNAL MATERIAL	CAST IRON - POWDERCOATED
STORAGE REQUIREMENTS	CLEAN & DRY
MSDS REQUIRED	N/A
BOX QUANTITY	EACH

## SPECIAL INSTRUCTIONS

APPROVALS

SUPERVISOR: STORES

HEAD: ASSETS & SUPPLY CHAIN

HEAD: DEPARTMENT

APPROVALS

# STORES STOCK ITEM SPECIFICATION & TECHNICAL DATA SHEET



**BERGRIVIER  
MUNICIPALITY**



ITEM NUMBER

WTR-0006006

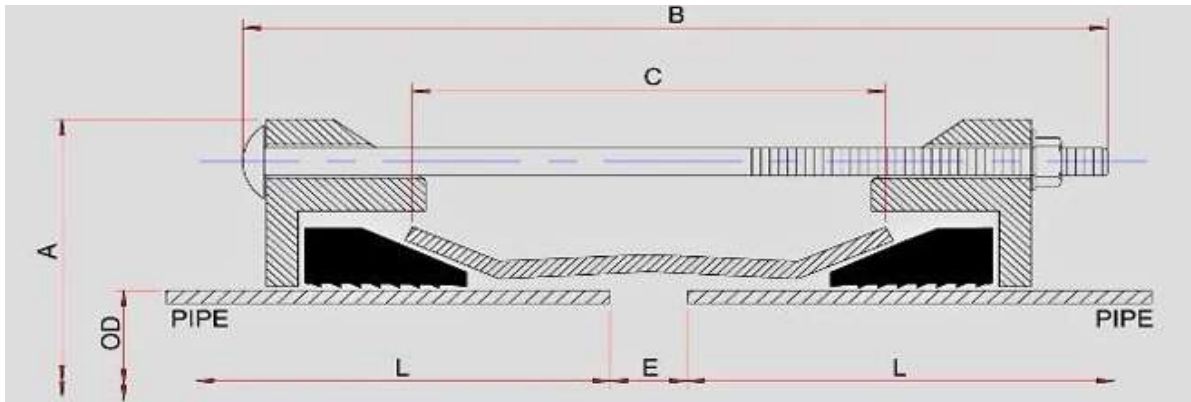
SHORT  
DESCRIPTION

RANGER COUPLING 109 - 128MM

LONG DETAILED  
DESCRIPTION

RANGER COUPLING 109 - 128MM

## TECHNICAL DRAWINGS



## TECHNICAL SPECIFICATIONS

OD RANGE FROM:	109MM
OD RANGE TO:	128MM
SIZE C (MM)	N/A
SIZE D	N/A
BRAND	KLINGER/UNI-FLOW/KLAMFLEX OR SIMILAR
MANUFACTURER WARRANTY	N/A
MAXIMUM PRESSURE	N/A
MINIMUM PRESSURE	N/A
MAXIMUM TEMPERATURE (°C)	N/A
MINIMUM TEMPERATURE (°C)	N/A
THREAD PITCH (MM)	N/A
THREAD REACH (MM)	N/A
OPERATING TEMPERATURE (°C)	N/A

EXTERNAL MATERIAL	CAST IRON - POWDERCOATED
INTERNAL MATERIAL	CAST IRON - POWDERCOATED
STORAGE REQUIREMENTS	CLEAN & DRY
MSDS REQUIRED	N/A
BOX QUANTITY	EACH

## SPECIAL INSTRUCTIONS

APPROVALS

SUPERVISOR: STORES

HEAD: ASSETS & SUPPLY CHAIN

HEAD: DEPARTMENT

APPROVALS



# STORES STOCK ITEM SPECIFICATION & TECHNICAL DATA SHEET



**BERGRIVIER  
MUNICIPALITY**



ITEM NUMBER

WTR-0006007

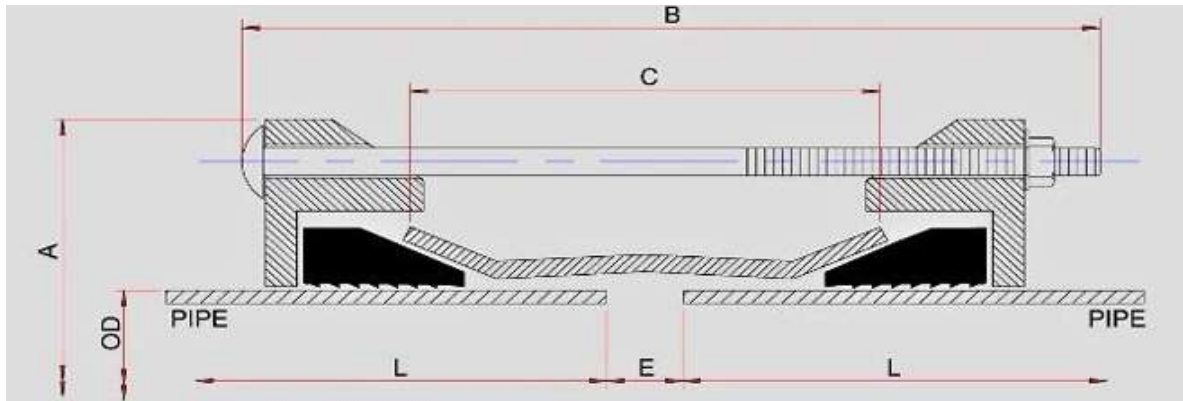
SHORT  
DESCRIPTION

RANGER COUPLING 159 - 182MM

LONG DETAILED  
DESCRIPTION

RANGER COUPLING 159 - 182MM

## TECHNICAL DRAWINGS



## TECHNICAL SPECIFICATIONS

OD RANGE FROM:	159MM
OD RANGE TO:	182MM
SIZE C (MM)	N/A
SIZE D	N/A
BRAND	KLINGER/UNI-FLOW/KLAMFLEX OR SIMILAR
MANUFACTURER WARRANTY	N/A
MAXIMUM PRESSURE	N/A
MINIMUM PRESSURE	N/A
MAXIMUM TEMPERATURE (°C)	N/A
MINIMUM TEMPERATURE (°C)	N/A
THREAD PITCH (MM)	N/A
THREAD REACH (MM)	N/A
OPERATING TEMPERATURE (°C)	N/A

EXTERNAL MATERIAL	CAST IRON - POWDERCOATED
INTERNAL MATERIAL	CAST IRON - POWDERCOATED
STORAGE REQUIREMENTS	CLEAN & DRY
MSDS REQUIRED	N/A
BOX QUANTITY	EACH

## SPECIAL INSTRUCTIONS

APPROVALS

SUPERVISOR: STORES

HEAD: ASSETS & SUPPLY CHAIN

HEAD: DEPARTMENT

APPROVALS

# STORES STOCK ITEM SPECIFICATION & TECHNICAL DATA SHEET

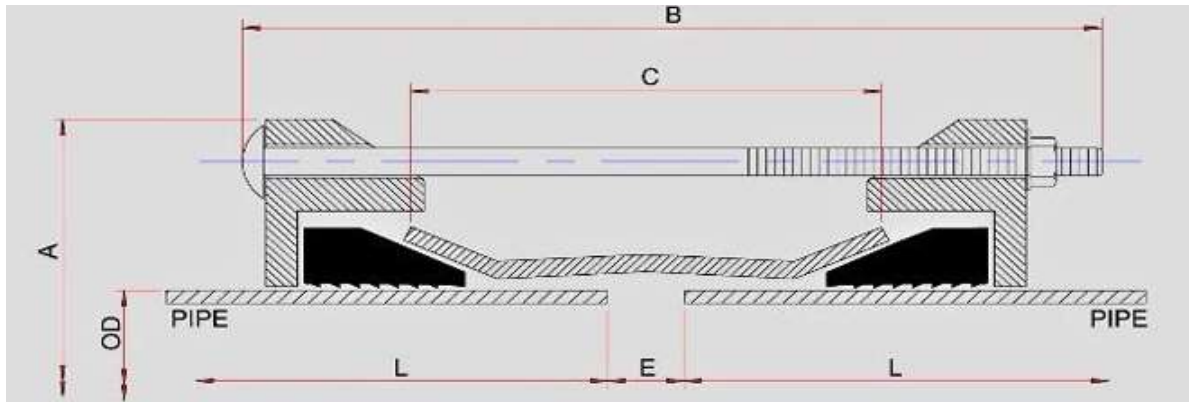


**BERGRIVIER  
MUNICIPALITY**



ITEM NUMBER	WTR-0006008
SHORT DESCRIPTION	RANGER COUPLING 192-209 MM
LONG DETAILED DESCRIPTION	RANGER COUPLING 192-209 MM

## TECHNICAL DRAWINGS



## TECHNICAL SPECIFICATIONS

OD RANGE FROM:	192MM
OD RANGE TO:	209MM
SIZE C (MM)	N/A
SIZE D	N/A
BRAND	KLINGER/UNI-FLOW/KLAMFLEX OR SIMILAR
MANUFACTURER WARRANTY	N/A
MAXIMUM PRESSURE	N/A
MINIMUM PRESSURE	N/A
MAXIMUM TEMPERATURE (°C)	N/A
MINIMUM TEMPERATURE (°C)	N/A
THREAD PITCH (MM)	N/A
THREAD REACH (MM)	N/A
OPERATING TEMPERATURE (°C)	N/A

EXTERNAL MATERIAL	CAST IRON - POWDERCOATED
INTERNAL MATERIAL	CAST IRON - POWDERCOATED
STORAGE REQUIREMENTS	CLEAN & DRY
MSDS REQUIRED	N/A
BOX QUANTITY	EACH

## SPECIAL INSTRUCTIONS

APPROVALS

SUPERVISOR: STORES

HEAD: ASSETS & SUPPLY CHAIN

HEAD: DEPARTMENT

APPROVALS

# STORES STOCK ITEM SPECIFICATION & TECHNICAL DATA SHEET



**BERGRIVIER  
MUNICIPALITY**



ITEM NUMBER

WTR-0006009

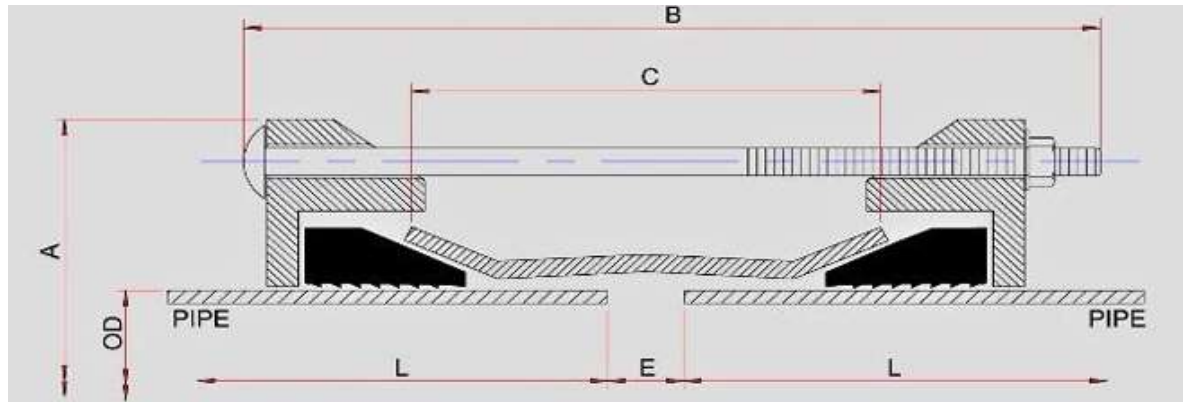
SHORT  
DESCRIPTION

RANGER COUPLING 218-235 MM

LONG DETAILED  
DESCRIPTION

RANGER COUPLING 218-235 MM

## TECHNICAL DRAWINGS



## TECHNICAL SPECIFICATIONS

OD RANGE FROM:	218MM
OD RANGE TO:	235MM
SIZE C (MM)	N/A
SIZE D	N/A
BRAND	KLINGER/UNI-FLOW/KLAMFLEX OR SIMILAR
MANUFACTURER WARRANTY	N/A
MAXIMUM PRESSURE	N/A
MINIMUM PRESSURE	N/A
MAXIMUM TEMPERATURE (°C)	N/A
MINIMUM TEMPERATURE (°C)	N/A
THREAD PITCH (MM)	N/A
THREAD REACH (MM)	N/A
OPERATING TEMPERATURE (°C)	N/A

EXTERNAL MATERIAL	CAST IRON - POWDERCOATED
INTERNAL MATERIAL	CAST IRON - POWDERCOATED
STORAGE REQUIREMENTS	CLEAN & DRY
MSDS REQUIRED	N/A
BOX QUANTITY	EACH

## SPECIAL INSTRUCTIONS

APPROVALS

SUPERVISOR: STORES

HEAD: ASSETS & SUPPLY CHAIN

HEAD: DEPARTMENT

APPROVALS

# STORES STOCK ITEM SPECIFICATION & TECHNICAL DATA SHEET

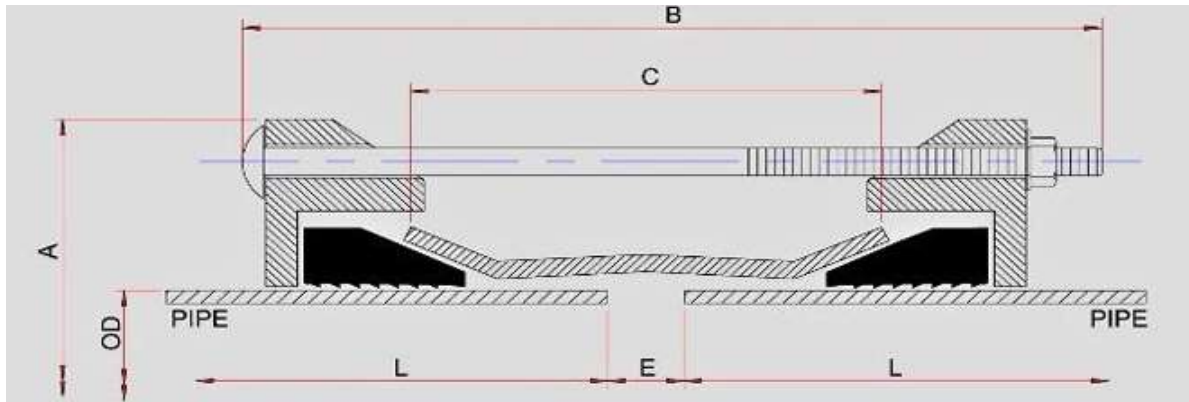


**BERGRIVIER  
MUNICIPALITY**



ITEM NUMBER	WTR-0006010
SHORT DESCRIPTION	RANGER COUPLING 356 - 372MM
LONG DETAILED DESCRIPTION	RANGER COUPLING 356 - 372MM

## TECHNICAL DRAWINGS



## TECHNICAL SPECIFICATIONS

OD RANGE FROM:	356MM
OD RANGE TO:	372MM
SIZE C (MM)	N/A
SIZE D	N/A
BRAND	KLINGER/UNI-FLOW/KLAMFLEX OR SIMILAR
MANUFACTURER WARRANTY	N/A
MAXIMUM PRESSURE	N/A
MINIMUM PRESSURE	N/A
MAXIMUM TEMPERATURE (°C)	N/A
MINIMUM TEMPERATURE (°C)	N/A
THREAD PITCH (MM)	N/A
THREAD REACH (MM)	N/A
OPERATING TEMPERATURE (°C)	N/A

EXTERNAL MATERIAL	CAST IRON - POWDERCOATED
INTERNAL MATERIAL	CAST IRON - POWDERCOATED
STORAGE REQUIREMENTS	CLEAN & DRY
MSDS REQUIRED	N/A
BOX QUANTITY	EACH

## SPECIAL INSTRUCTIONS

APPROVALS

SUPERVISOR: STORES

HEAD: ASSETS & SUPPLY CHAIN

HEAD: DEPARTMENT

APPROVALS

# STORES STOCK ITEM SPECIFICATION & TECHNICAL DATA SHEET



**BERGRIVIER  
MUNICIPALITY**



ITEM NUMBER

WTR-0006011

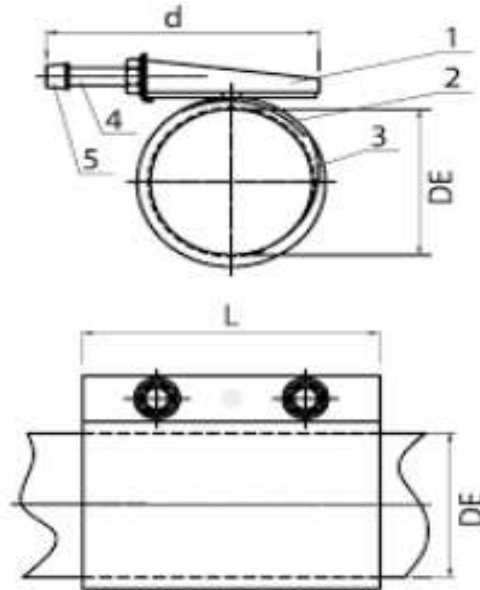
SHORT  
DESCRIPTION

S/STEEL REPAIR CLAMP 69-76MM

LONG DETAILED  
DESCRIPTION

STAINLESS STEEL REPAIR CLAMP 69-76MM

## TECHNICAL DRAWINGS



## TECHNICAL SPECIFICATIONS

OD RANGE FROM:	69MM
OD RANGE TO:	76MM
SIZE C (MM)	N/A
SIZE D	N/A
BRAND	CASCADE OR SIMILAR
MANUFACTURER WARRANTY	N/A
MAXIMUM PRESSURE	N/A
MINIMUM PRESSURE	N/A
MAXIMUM TEMPERATURE (°C)	N/A
MINIMUM TEMPERATURE (°C)	N/A
THREAD PITCH (MM)	N/A
THREAD REACH (MM)	N/A
OPERATING TEMPERATURE (°C)	N/A

EXTERNAL MATERIAL STAINLESS STEEL

INTERNAL MATERIAL STAINLESS STEEL

STORAGE REQUIREMENTS CLEAN & DRY

MSDS REQUIRED N/A

BOX QUANTITY EACH

## SPECIAL INSTRUCTIONS

APPROVALS

SUPERVISOR: STORES

HEAD: ASSETS & SUPPLY CHAIN

HEAD: DEPARTMENT

APPROVALS

# STORES STOCK ITEM SPECIFICATION & TECHNICAL DATA SHEET



**BERGRIVIER  
MUNICIPALITY**



ITEM NUMBER

WTR-0006012

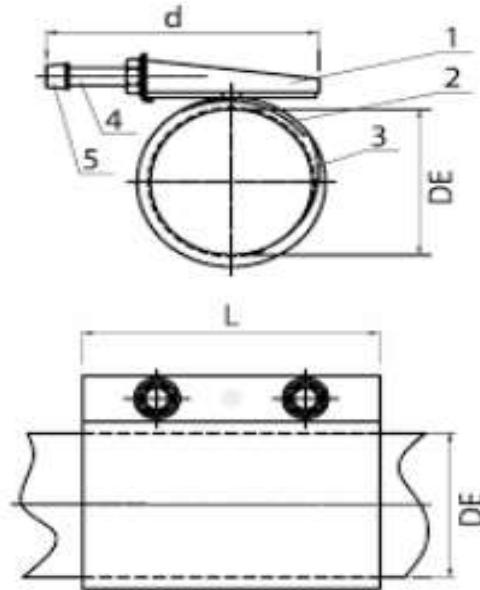
SHORT  
DESCRIPTION

S/STEEL REPAIR CLAMP 95-104MM

LONG DETAILED  
DESCRIPTION

STAINLESS STEEL REPAIR CLAMP 95-104MM

## TECHNICAL DRAWINGS



## TECHNICAL SPECIFICATIONS

OD RANGE FROM:	95MM
OD RANGE TO:	104MM
SIZE C (MM)	N/A
SIZE D	N/A
BRAND	CASCADE OR SIMILAR
MANUFACTURER WARRANTY	N/A
MAXIMUM PRESSURE	N/A
MINIMUM PRESSURE	N/A
MAXIMUM TEMPERATURE (°C)	N/A
MINIMUM TEMPERATURE (°C)	N/A
THREAD PITCH (MM)	N/A
THREAD REACH (MM)	N/A
OPERATING TEMPERATURE (°C)	N/A

EXTERNAL MATERIAL STAINLESS STEEL

INTERNAL MATERIAL STAINLESS STEEL

STORAGE REQUIREMENTS CLEAN & DRY

MSDS REQUIRED N/A

BOX QUANTITY EACH

## SPECIAL INSTRUCTIONS

APPROVALS

SUPERVISOR: STORES

HEAD: ASSETS & SUPPLY CHAIN

HEAD: DEPARTMENT

APPROVALS



# STORES STOCK ITEM SPECIFICATION & TECHNICAL DATA SHEET



**BERGRIVIER  
MUNICIPALITY**



ITEM NUMBER

WTR-0006013

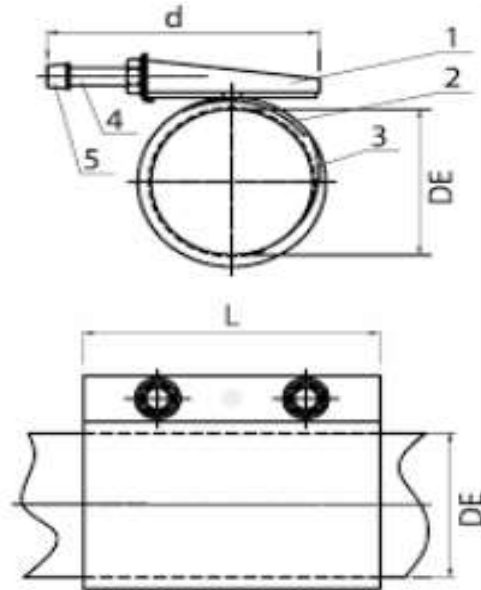
SHORT  
DESCRIPTION

S/STEEL REPAIR CLAMP 121-130MM

LONG DETAILED  
DESCRIPTION

STAINLESS STEEL REPAIR CLAMP 121-130MM

## TECHNICAL DRAWINGS



## TECHNICAL SPECIFICATIONS

OD RANGE FROM:	121MM
OD RANGE TO:	130MM
SIZE C (MM)	N/A
SIZE D	N/A
BRAND	CASCADE OR SIMILAR
MANUFACTURER WARRANTY	N/A
MAXIMUM PRESSURE	N/A
MINIMUM PRESSURE	N/A
MAXIMUM TEMPERATURE (°C)	N/A
MINIMUM TEMPERATURE (°C)	N/A
THREAD PITCH (MM)	N/A
THREAD REACH (MM)	N/A
OPERATING TEMPERATURE (°C)	N/A

EXTERNAL MATERIAL	STAINLESS STEEL
INTERNAL MATERIAL	STAINLESS STEEL
STORAGE REQUIREMENTS	CLEAN & DRY
MSDS REQUIRED	N/A
BOX QUANTITY	EACH

## SPECIAL INSTRUCTIONS

APPROVALS

SUPERVISOR: STORES

HEAD: ASSETS & SUPPLY CHAIN

HEAD: DEPARTMENT

APPROVALS

# STORES STOCK ITEM SPECIFICATION & TECHNICAL DATA SHEET



**BERGRIVIER  
MUNICIPALITY**



ITEM NUMBER

WTR-0006014

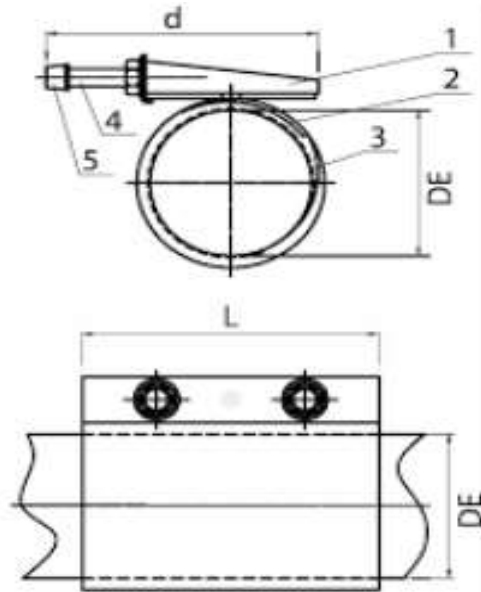
SHORT  
DESCRIPTION

S/STEEL REPAIR CLAMP 167-176MM

LONG DETAILED  
DESCRIPTION

STAINLESS STEEL REPAIR CLAMP 167-176MM

## TECHNICAL DRAWINGS



## TECHNICAL SPECIFICATIONS

OD RANGE FROM:	167MM
OD RANGE TO:	176MM
SIZE C (MM)	N/A
SIZE D	N/A
BRAND	CASCADE OR SIMILAR
MANUFACTURER WARRANTY	N/A
MAXIMUM PRESSURE	N/A
MINIMUM PRESSURE	N/A
MAXIMUM TEMPERATURE (°C)	N/A
MINIMUM TEMPERATURE (°C)	N/A
THREAD PITCH (MM)	N/A
THREAD REACH (MM)	N/A
OPERATING TEMPERATURE (°C)	N/A

EXTERNAL MATERIAL STAINLESS STEEL

INTERNAL MATERIAL STAINLESS STEEL

STORAGE REQUIREMENTS CLEAN & DRY

MSDS REQUIRED N/A

BOX QUANTITY EACH

## SPECIAL INSTRUCTIONS

APPROVALS

SUPERVISOR: STORES

HEAD: ASSETS & SUPPLY CHAIN

HEAD: DEPARTMENT

APPROVALS



# STORES STOCK ITEM SPECIFICATION & TECHNICAL DATA SHEET



**BERGRIVIER  
MUNICIPALITY**



ITEM NUMBER

WTR-0006015

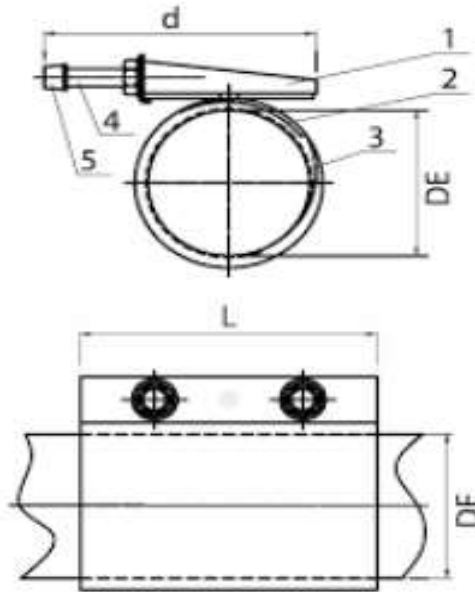
SHORT  
DESCRIPTION

S/STEEL REPAIR CLAMP 174-183MM

LONG DETAILED  
DESCRIPTION

STAINLESS STEEL REPAIR CLAMP 174-183MM

## TECHNICAL DRAWINGS



## TECHNICAL SPECIFICATIONS

OD RANGE FROM:	174MM
OD RANGE TO:	183MM
SIZE C (MM)	N/A
SIZE D	N/A
BRAND	CASCADE OR SIMILAR
MANUFACTURER WARRANTY	N/A
MAXIMUM PRESSURE	N/A
MINIMUM PRESSURE	N/A
MAXIMUM TEMPERATURE (°C)	N/A
MINIMUM TEMPERATURE (°C)	N/A
THREAD PITCH (MM)	N/A
THREAD REACH (MM)	N/A
OPERATING TEMPERATURE (°C)	N/A

EXTERNAL MATERIAL	STAINLESS STEEL
INTERNAL MATERIAL	STAINLESS STEEL
STORAGE REQUIREMENTS	CLEAN & DRY
MSDS REQUIRED	N/A
BOX QUANTITY	EACH

## SPECIAL INSTRUCTIONS

APPROVALS

SUPERVISOR: STORES

HEAD: ASSETS & SUPPLY CHAIN

HEAD: DEPARTMENT

APPROVALS

# STORES STOCK ITEM SPECIFICATION & TECHNICAL DATA SHEET



**BERGRIVIER  
MUNICIPALITY**



ITEM NUMBER

WTR-0006016

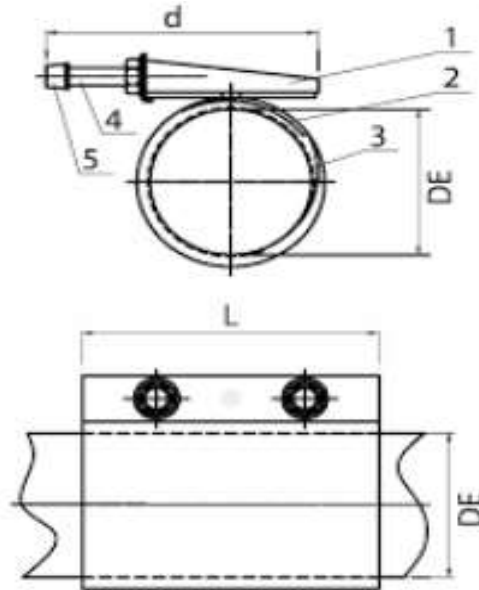
SHORT  
DESCRIPTION

S/STEEL REPAIR CLAMP 218-228MM

LONG DETAILED  
DESCRIPTION

STAINLESS STEEL REPAIR CLAMP 218-228MM

## TECHNICAL DRAWINGS



## TECHNICAL SPECIFICATIONS

OD RANGE FROM:	218MM
OD RANGE TO:	228MM
SIZE C (MM)	N/A
SIZE D	N/A
BRAND	CASCADE OR SIMILAR
MANUFACTURER WARRANTY	N/A
MAXIMUM PRESSURE	N/A
MINIMUM PRESSURE	N/A
MAXIMUM TEMPERATURE (°C)	N/A
MINIMUM TEMPERATURE (°C)	N/A
THREAD PITCH (MM)	N/A
THREAD REACH (MM)	N/A
OPERATING TEMPERATURE (°C)	N/A

EXTERNAL MATERIAL STAINLESS STEEL

INTERNAL MATERIAL STAINLESS STEEL

STORAGE REQUIREMENTS CLEAN & DRY

MSDS REQUIRED N/A

BOX QUANTITY EACH

## SPECIAL INSTRUCTIONS

APPROVALS

SUPERVISOR: STORES

HEAD: ASSETS & SUPPLY CHAIN

HEAD: DEPARTMENT

APPROVALS

# STORES STOCK ITEM SPECIFICATION & TECHNICAL DATA SHEET



**BERGRIVIER  
MUNICIPALITY**



ITEM NUMBER

WTR-0006017

SHORT  
DESCRIPTION

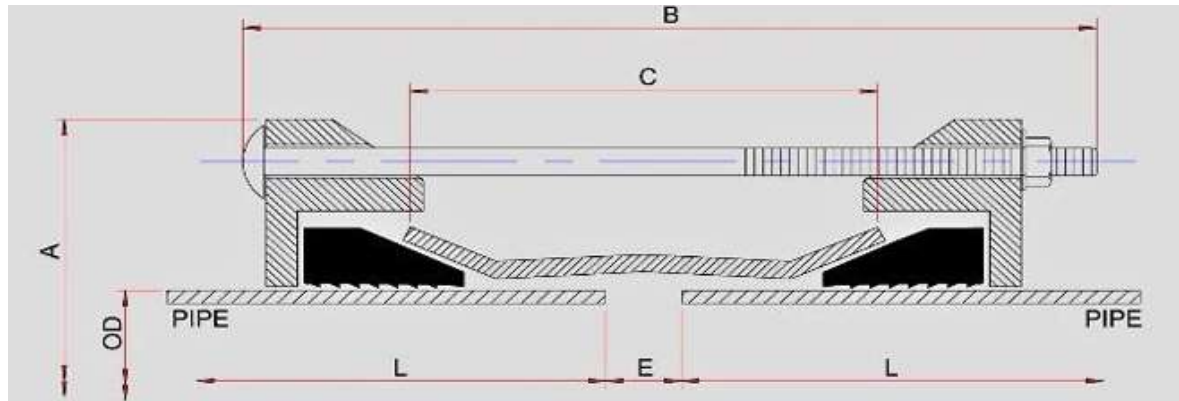
RANGER COUPLING 302-318 MM

LONG DETAILED  
DESCRIPTION

RANGER COUPLING 302-318 MM

## TECHNICAL DRAWINGS

## TECHNICAL SPECIFICATIONS



OD RANGE FROM:	302MM
OD RANGE TO:	318MM
SIZE C (MM)	N/A
SIZE D	N/A
BRAND	KLINGER/UNI-FLOW/KLAMFLEX OR SIMILAR
MANUFACTURER WARRANTY	N/A
MAXIMUM PRESSURE	N/A
MINIMUM PRESSURE	N/A
MAXIMUM TEMPERATURE (°C)	N/A
MINIMUM TEMPERATURE (°C)	N/A
THREAD PITCH (MM)	N/A
THREAD REACH (MM)	N/A
OPERATING TEMPERATURE (°C)	N/A

EXTERNAL MATERIAL	CAST IRON - POWDERCOATED
INTERNAL MATERIAL	CAST IRON - POWDERCOATED
STORAGE REQUIREMENTS	CLEAN & DRY
MSDS REQUIRED	N/A
BOX QUANTITY	EACH

## SPECIAL INSTRUCTIONS

APPROVALS

SUPERVISOR: STORES

HEAD: ASSETS & SUPPLY CHAIN

HEAD: DEPARTMENT

APPROVALS

# STORES STOCK ITEM SPECIFICATION & TECHNICAL DATA SHEET



**BERGRIVIER  
MUNICIPALITY**



ITEM NUMBER

WTR-0006018

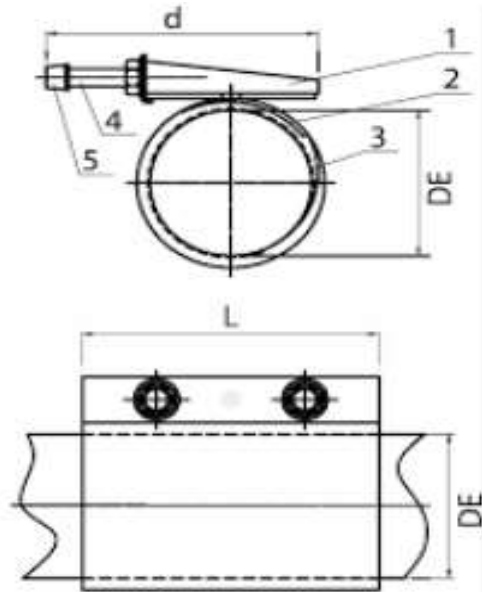
SHORT  
DESCRIPTION

S/STEEL REPAIR CLAMP 236-245MM

LONG DETAILED  
DESCRIPTION

STAINLESS STEEL REPAIR CLAMP 236-245MM

## TECHNICAL DRAWINGS



## TECHNICAL SPECIFICATIONS

OD RANGE FROM:	236MM
OD RANGE TO:	245MM
SIZE C (MM)	N/A
SIZE D	N/A
BRAND	CASCADE OR SIMILAR
MANUFACTURER WARRANTY	N/A
MAXIMUM PRESSURE	N/A
MINIMUM PRESSURE	N/A
MAXIMUM TEMPERATURE (°C)	N/A
MINIMUM TEMPERATURE (°C)	N/A
THREAD PITCH (MM)	N/A
THREAD REACH (MM)	N/A
OPERATING TEMPERATURE (°C)	N/A

EXTERNAL MATERIAL	STAINLESS STEEL
INTERNAL MATERIAL	STAINLESS STEEL
STORAGE REQUIREMENTS	CLEAN & DRY
MSDS REQUIRED	N/A
BOX QUANTITY	EACH

## SPECIAL INSTRUCTIONS

APPROVALS

SUPERVISOR: STORES

HEAD: ASSETS & SUPPLY CHAIN

HEAD: DEPARTMENT

APPROVALS

# STORES STOCK ITEM SPECIFICATION & TECHNICAL DATA SHEET



**BERGRIVIER  
MUNICIPALITY**



ITEM NUMBER

WTR-0006019

SHORT  
DESCRIPTION

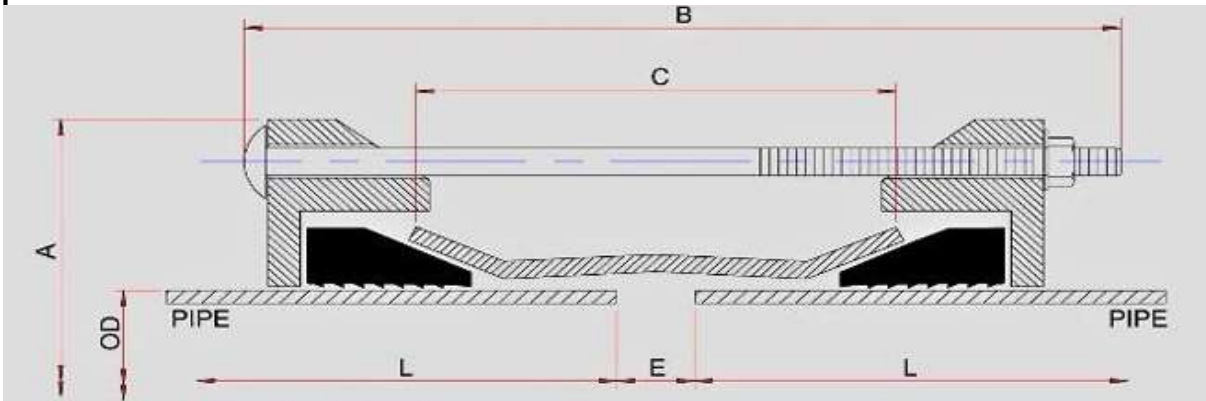
RANGER COUPLING 138MM - 153MM

LONG DETAILED  
DESCRIPTION

RANGER COUPLING 138 - 153 MM

## TECHNICAL DRAWINGS

## TECHNICAL SPECIFICATIONS



OD RANGE FROM:	138MM
OD RANGE TO:	153MM
SIZE C (MM)	N/A
SIZE D	N/A
BRAND	KLINGER/UNI-FLOW/KLAMFLEX OR SIMILAR
MANUFACTURER WARRANTY	N/A
MAXIMUM PRESSURE	N/A
MINIMUM PRESSURE	N/A
MAXIMUM TEMPERATURE (°C)	N/A
MINIMUM TEMPERATURE (°C)	N/A
THREAD PITCH (MM)	N/A
THREAD REACH (MM)	N/A
OPERATING TEMPERATURE (°C)	N/A

EXTERNAL MATERIAL	CAST IRON - POWDERCOATED
INTERNAL MATERIAL	CAST IRON - POWDERCOATED
STORAGE REQUIREMENTS	CLEAN & DRY
MSDS REQUIRED	N/A
BOX QUANTITY	EACH

## SPECIAL INSTRUCTIONS

APPROVALS

SUPERVISOR: STORES

HEAD: ASSETS & SUPPLY CHAIN

HEAD: DEPARTMENT

APPROVALS

# STORES STOCK ITEM SPECIFICATION & TECHNICAL DATA SHEET



**BERGRIVIER  
MUNICIPALITY**



ITEM NUMBER

WTR-0006020

SHORT  
DESCRIPTION

RUBBER LINED G-FLEX 360 INSTALL COUPLING

LONG DETAILED  
DESCRIPTION

RUBBER LINED G-FLEX 360 INSTALL COUPLING

## TECHNICAL DRAWINGS

## TECHNICAL SPECIFICATIONS

OD RANGE FROM:	138MM
OD RANGE TO:	153MM
SIZE C (MM)	N/A
SIZE D	N/A
BRAND	KLINGER/UNI- FLOW/KLAMFLEX OR SIMILAR
MANUFACTURER WARRANTY	N/A
MAXIMUM PRESSURE	N/A
MINIMUM PRESSURE	N/A
MAXIMUM TEMPERATURE (°C)	N/A
MINIMUM TEMPERATURE (°C)	N/A
THREAD PITCH (MM)	N/A
THREAD REACH (MM)	N/A
OPERATING TEMPERATURE (°C)	N/A

EXTERNAL MATERIAL CAST IRON - POWDERCOATED

INTERNAL MATERIAL CAST IRON - POWDERCOATED

STORAGE REQUIREMENTS CLEAN & DRY

MSDS REQUIRED N/A

BOX QUANTITY EACH

## SPECIAL INSTRUCTIONS

APPROVALS

SUPERVISOR: STORES

HEAD: ASSETS & SUPPLY CHAIN

HEAD: DEPARTMENT

APPROVALS

# STORES STOCK ITEM SPECIFICATION & TECHNICAL DATA SHEET



**BERGRIVIER  
MUNICIPALITY**



ITEM NUMBER

WTR-0007001

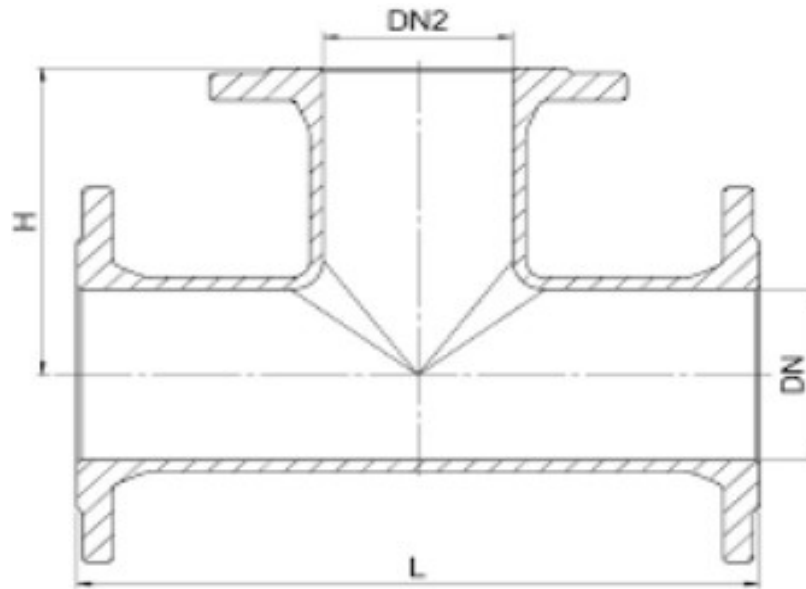
SHORT  
DESCRIPTION

FLANGED HYDRANT T - 75MM EPOXY COATED

LONG DETAILED  
DESCRIPTION

FLANGED HYDRANT T - 75MM EPOXY COATED

## TECHNICAL DRAWINGS



## TECHNICAL SPECIFICATIONS

SIZE A (MM)	75MM
SIZE B (MM)	75MM
SIZE C (MM)	75MM
SIZE D	N/A
BRAND	N/A
MANUFACTURER WARRANTY	N/A
MAXIMUM PRESSURE	N/A
MINIMUM PRESSURE	N/A
MAXIMUM TEMPERATURE (°C)	N/A
MINIMUM TEMPERATURE (°C)	N/A
THREAD PITCH (MM)	N/A
THREAD REACH (MM)	N/A
OPERATING TEMPERATURE (°C)	N/A

EXTERNAL MATERIAL	CAST IRON - POWDERCOATED
INTERNAL MATERIAL	CAST IRON - POWDERCOATED
STORAGE REQUIREMENTS	CLEAN & DRY
MSDS REQUIRED	N/A
BOX QUANTITY	EACH

## SPECIAL INSTRUCTIONS

APPROVALS

SUPERVISOR: STORES

HEAD: ASSETS & SUPPLY CHAIN

HEAD: DEPARTMENT

APPROVALS



# STORES STOCK ITEM SPECIFICATION & TECHNICAL DATA SHEET



**BERGRIVIER  
MUNICIPALITY**



ITEM NUMBER

WTR-0007002

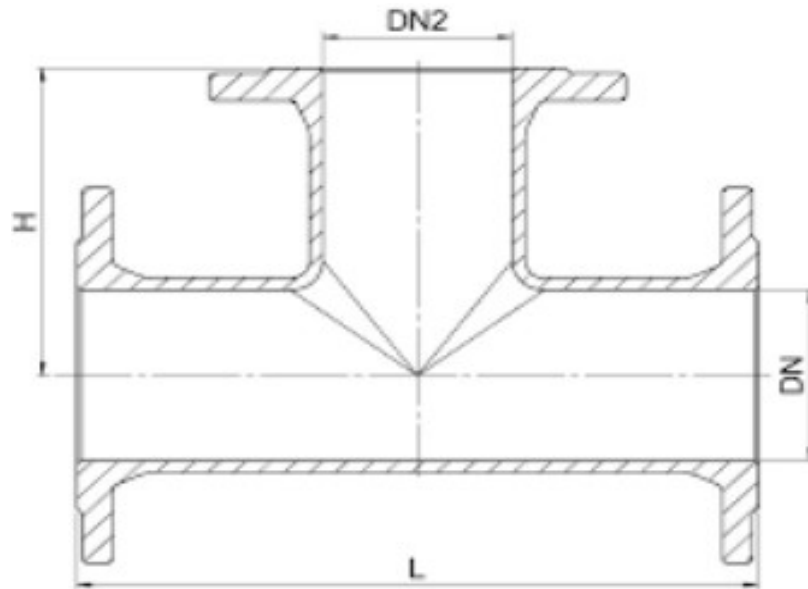
SHORT  
DESCRIPTION

FLANGED HYDRANT T - 100MM EPOXY COATED

LONG DETAILED  
DESCRIPTION

FLANGED HYDRANT T - 100MM EPOXY COATED

## TECHNICAL DRAWINGS



## TECHNICAL SPECIFICATIONS

SIZE A (MM)	100MM
SIZE B (MM)	100MM
SIZE C (MM)	100MM
SIZE D	N/A
BRAND	N/A
MANUFACTURER WARRANTY	N/A
MAXIMUM PRESSURE	N/A
MINIMUM PRESSURE	N/A
MAXIMUM TEMPERATURE (°C)	N/A
MINIMUM TEMPERATURE (°C)	N/A
THREAD PITCH (MM)	N/A
THREAD REACH (MM)	N/A
OPERATING TEMPERATURE (°C)	N/A

EXTERNAL MATERIAL	CAST IRON - POWDERCOATED
INTERNAL MATERIAL	CAST IRON - POWDERCOATED
STORAGE REQUIREMENTS	CLEAN & DRY
MSDS REQUIRED	N/A
BOX QUANTITY	EACH

## SPECIAL INSTRUCTIONS

APPROVALS

SUPERVISOR: STORES

HEAD: ASSETS & SUPPLY CHAIN

HEAD: DEPARTMENT

APPROVALS



# STORES STOCK ITEM SPECIFICATION & TECHNICAL DATA SHEET



**BERGRIVIER  
MUNICIPALITY**



ITEM NUMBER

WTR-0007003

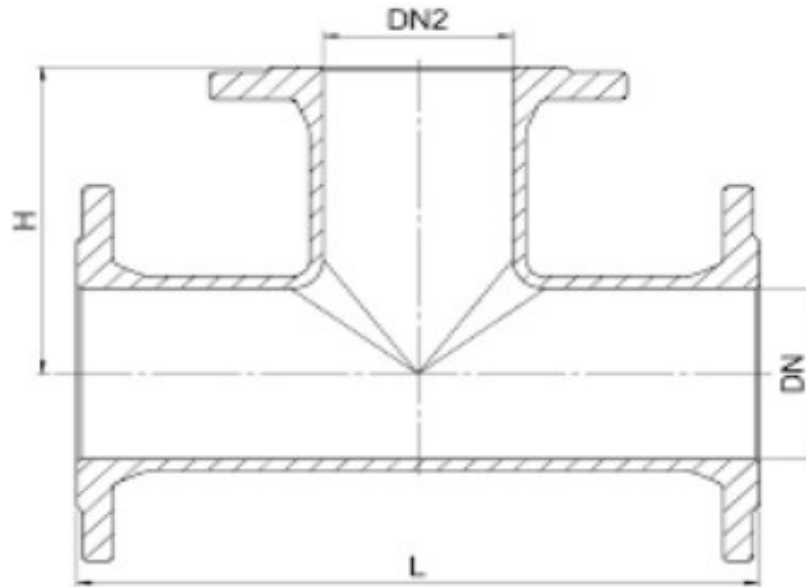
SHORT  
DESCRIPTION

FLANGED HYDRANT T - 110MM EPOXY COATED

LONG DETAILED  
DESCRIPTION

FLANGED HYDRANT T - 110MM EPOXY COATED

## TECHNICAL DRAWINGS



## TECHNICAL SPECIFICATIONS

SIZE A (MM)	110MM
SIZE B (MM)	110MM
SIZE C (MM)	110MM
SIZE D	N/A
BRAND	N/A
MANUFACTURER WARRANTY	N/A
MAXIMUM PRESSURE	N/A
MINIMUM PRESSURE	N/A
MAXIMUM TEMPERATURE (°C)	N/A
MINIMUM TEMPERATURE (°C)	N/A
THREAD PITCH (MM)	N/A
THREAD REACH (MM)	N/A
OPERATING TEMPERATURE (°C)	N/A

EXTERNAL MATERIAL CAST IRON - POWDERCOATED

INTERNAL MATERIAL CAST IRON - POWDERCOATED

STORAGE REQUIREMENTS CLEAN & DRY

MSDS REQUIRED N/A

BOX QUANTITY EACH

## SPECIAL INSTRUCTIONS

APPROVALS

SUPERVISOR: STORES

HEAD: ASSETS & SUPPLY CHAIN

HEAD: DEPARTMENT

APPROVALS

# STORES STOCK ITEM SPECIFICATION & TECHNICAL DATA SHEET



**BERGRIVIER  
MUNICIPALITY**



ITEM NUMBER

WTR-0007004

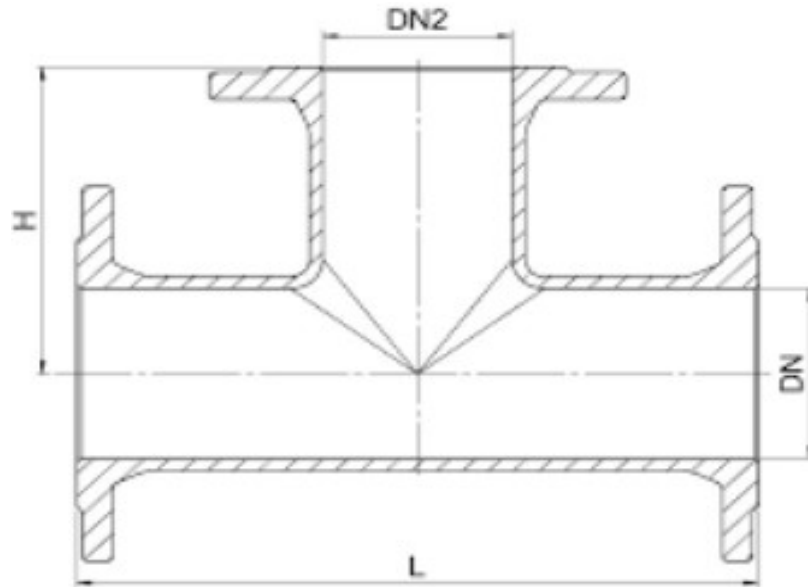
SHORT  
DESCRIPTION

FLANGED HYDRANT T - 150MM EPOXY COATED

LONG DETAILED  
DESCRIPTION

FLANGED HYDRANT T - 150MM EPOXY COATED

## TECHNICAL DRAWINGS



## TECHNICAL SPECIFICATIONS

SIZE A (MM)	150MM
SIZE B (MM)	150MM
SIZE C (MM)	150MM
SIZE D	N/A
BRAND	N/A
MANUFACTURER WARRANTY	N/A
MAXIMUM PRESSURE	N/A
MINIMUM PRESSURE	N/A
MAXIMUM TEMPERATURE (°C)	N/A
MINIMUM TEMPERATURE (°C)	N/A
THREAD PITCH (MM)	N/A
THREAD REACH (MM)	N/A
OPERATING TEMPERATURE (°C)	N/A

EXTERNAL MATERIAL	CAST IRON - POWDERCOATED
INTERNAL MATERIAL	CAST IRON - POWDERCOATED
STORAGE REQUIREMENTS	CLEAN & DRY
MSDS REQUIRED	N/A
BOX QUANTITY	EACH

## SPECIAL INSTRUCTIONS

APPROVALS

SUPERVISOR: STORES

HEAD: ASSETS & SUPPLY CHAIN

HEAD: DEPARTMENT

APPROVALS

# STORES STOCK ITEM SPECIFICATION & TECHNICAL DATA SHEET



**BERGRIVIER  
MUNICIPALITY**



ITEM NUMBER

WTR-0007005

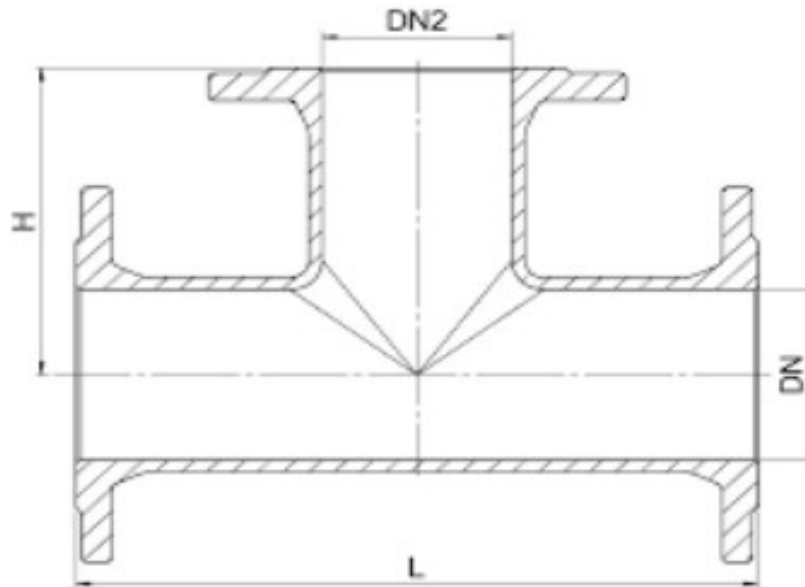
SHORT  
DESCRIPTION

FLANGED HYDRANT T - 200MM EPOXY COATED

LONG DETAILED  
DESCRIPTION

FLANGED HYDRANT T - 200MM EPOXY COATED

## TECHNICAL DRAWINGS



## TECHNICAL SPECIFICATIONS

SIZE A (MM)	200MM
SIZE B (MM)	200MM
SIZE C (MM)	200MM
SIZE D	N/A
BRAND	N/A
MANUFACTURER WARRANTY	N/A
MAXIMUM PRESSURE	N/A
MINIMUM PRESSURE	N/A
MAXIMUM TEMPERATURE (°C)	N/A
MINIMUM TEMPERATURE (°C)	N/A
THREAD PITCH (MM)	N/A
THREAD REACH (MM)	N/A
OPERATING TEMPERATURE (°C)	N/A

EXTERNAL MATERIAL	CAST IRON - POWDERCOATED
INTERNAL MATERIAL	CAST IRON - POWDERCOATED
STORAGE REQUIREMENTS	CLEAN & DRY
MSDS REQUIRED	N/A
BOX QUANTITY	EACH

## SPECIAL INSTRUCTIONS

APPROVALS

SUPERVISOR: STORES

HEAD: ASSETS & SUPPLY CHAIN

HEAD: DEPARTMENT

APPROVALS

# STORES STOCK ITEM SPECIFICATION & TECHNICAL DATA SHEET



**BERGRIVIER  
MUNICIPALITY**



ITEM NUMBER

WTR-0007006

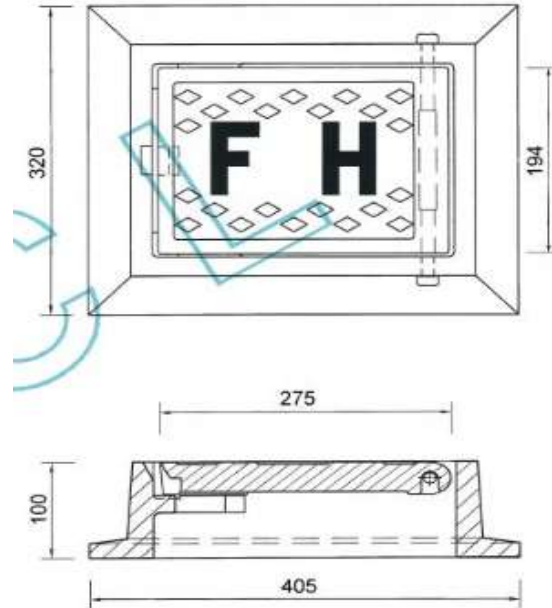
SHORT  
DESCRIPTION

POLYMER FIRE HYDRANT BOXES

LONG DETAILED  
DESCRIPTION

POLYMER FIRE HYDRANT BOXES

## TECHNICAL DRAWINGS



## TECHNICAL SPECIFICATIONS

SIZE A (MM)	N/A
SIZE B (MM)	N/A
SIZE C (MM)	N/A
SIZE D	N/A
BRAND	N/A
MANUFACTURER WARRANTY	N/A
MAXIMUM PRESSURE	N/A
MINIMUM PRESSURE	N/A
MAXIMUM TEMPERATURE (°C)	N/A
MINIMUM TEMPERATURE (°C)	N/A
THREAD PITCH (MM)	N/A
THREAD REACH (MM)	N/A
OPERATING TEMPERATURE (°C)	N/A

EXTERNAL MATERIAL	POLYMER
INTERNAL MATERIAL	POLYMER
STORAGE REQUIREMENTS	CLEAN & DRY
MSDS REQUIRED	N/A
BOX QUANTITY	EACH

## SPECIAL INSTRUCTIONS

APPROVALS

SUPERVISOR: STORES

HEAD: ASSETS & SUPPLY CHAIN

HEAD: DEPARTMENT

APPROVALS

# STORES STOCK ITEM SPECIFICATION & TECHNICAL DATA SHEET

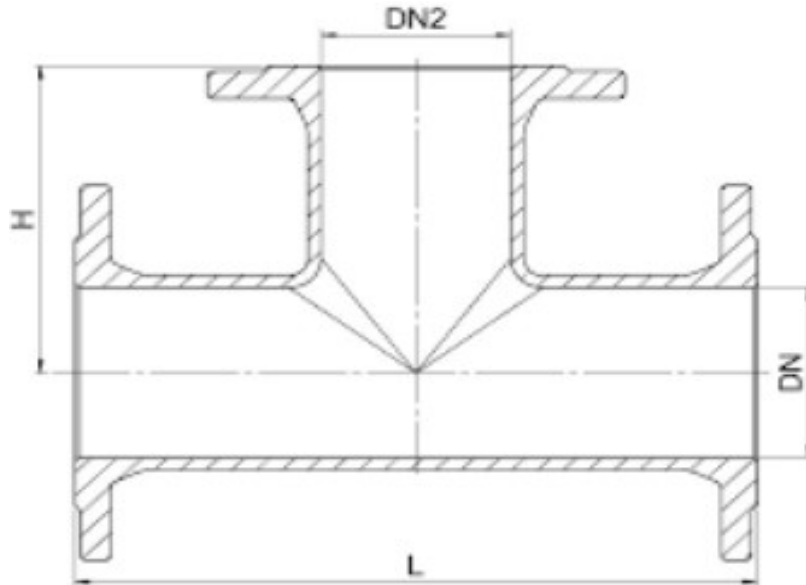


**BERGRIVIER  
MUNICIPALITY**



ITEM NUMBER	WTR-0007007
SHORT DESCRIPTION	FLANGED HYDRANT T - 50MM EPOXY COATED
LONG DETAILED DESCRIPTION	FLANGED HYDRANT T - 50MM EPOXY COATED

## TECHNICAL DRAWINGS



## TECHNICAL SPECIFICATIONS

SIZE A (MM)	50MM
SIZE B (MM)	50MM
SIZE C (MM)	50MM
SIZE D	N/A
BRAND	N/A
MANUFACTURER WARRANTY	N/A
MAXIMUM PRESSURE	N/A
MINIMUM PRESSURE	N/A
MAXIMUM TEMPERATURE (°C)	N/A
MINIMUM TEMPERATURE (°C)	N/A
THREAD PITCH (MM)	N/A
THREAD REACH (MM)	N/A
OPERATING TEMPERATURE (°C)	N/A

EXTERNAL MATERIAL	CAST IRON - POWDERCOATED
INTERNAL MATERIAL	CAST IRON - POWDERCOATED
STORAGE REQUIREMENTS	CLEAN & DRY
MSDS REQUIRED	N/A
BOX QUANTITY	EACH

## SPECIAL INSTRUCTIONS

APPROVALS				APPROVALS
	SUPERVISOR: STORES	HEAD: ASSETS & SUPPLY CHAIN	HEAD: DEPARTMENT	

# STORES STOCK ITEM SPECIFICATION & TECHNICAL DATA SHEET



**BERGRIVIER  
MUNICIPALITY**



ITEM NUMBER

WTR-0008001

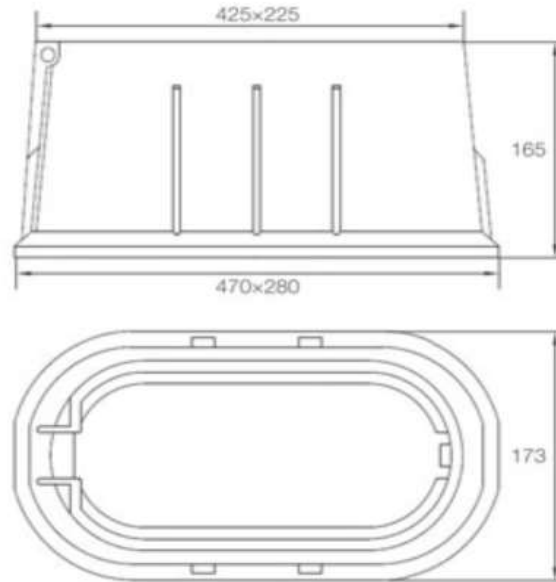
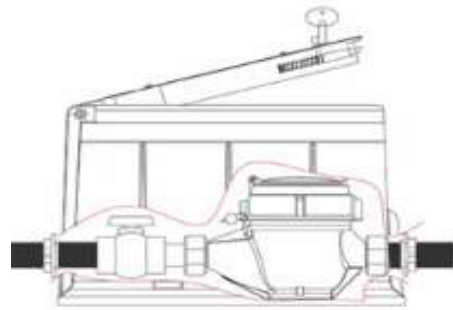
SHORT  
DESCRIPTION

WATER METER - INCL RESTRICTOR VALVE IN BOX

LONG DETAILED  
DESCRIPTION

WATER METER - INCLUDING RESTRICTOR VALVE IN BOX

## TECHNICAL DRAWINGS



## TECHNICAL SPECIFICATIONS

SIZE A (MM)	N/A
SIZE B (MM)	N/A
SIZE C (MM)	N/A
SIZE D	N/A
BRAND	N/A
MANUFACTURER WARRANTY	N/A
MAXIMUM PRESSURE	N/A
MINIMUM PRESSURE	N/A
MAXIMUM TEMPERATURE (°C)	N/A
MINIMUM TEMPERATURE (°C)	N/A
THREAD PITCH (MM)	N/A
THREAD REACH (MM)	N/A
OPERATING TEMPERATURE (°C)	N/A

EXTERNAL MATERIAL	PVC
INTERNAL MATERIAL	PVC
STORAGE REQUIREMENTS	CLEAN & DRY
MSDS REQUIRED	N/A
BOX QUANTITY	EACH

## SPECIAL INSTRUCTIONS

APPROVALS

SUPERVISOR: STORES

HEAD: ASSETS & SUPPLY CHAIN

HEAD: DEPARTMENT

APPROVALS

# STORES STOCK ITEM SPECIFICATION & TECHNICAL DATA SHEET

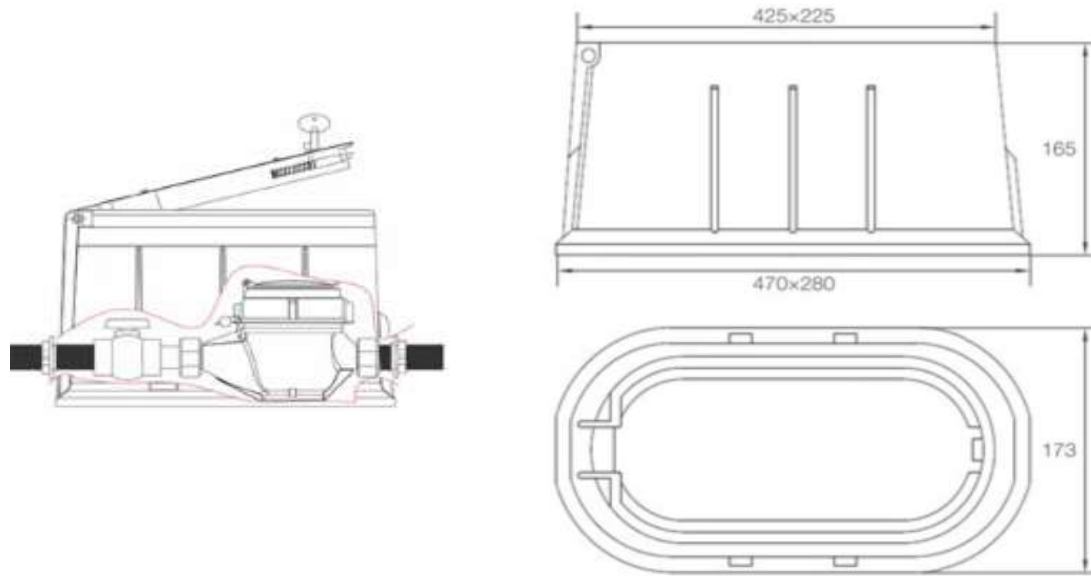


**BERGRIVIER  
MUNICIPALITY**



ITEM NUMBER	WTR-0008002
SHORT DESCRIPTION	WATER METER (SMART) - INCL RESTRICTOR VALVE IN BOX
LONG DETAILED DESCRIPTION	WATER METER (SMART) - INCLUDING RESTRICTOR VALVE IN BOX

## TECHNICAL DRAWINGS



## TECHNICAL SPECIFICATIONS

SIZE A (MM)	N/A
SIZE B (MM)	N/A
SIZE C (MM)	N/A
SIZE D	N/A
BRAND	N/A
MANUFACTURER WARRANTY	N/A
MAXIMUM PRESSURE	N/A
MINIMUM PRESSURE	N/A
MAXIMUM TEMPERATURE (°C)	N/A
MINIMUM TEMPERATURE (°C)	N/A
THREAD PITCH (MM)	N/A
THREAD REACH (MM)	N/A
OPERATING TEMPERATURE (°C)	N/A

EXTERNAL MATERIAL	PVC
INTERNAL MATERIAL	PVC
STORAGE REQUIREMENTS	CLEAN & DRY
MSDS REQUIRED	N/A
BOX QUANTITY	EACH

## SPECIAL INSTRUCTIONS

APPROVALS

SUPERVISOR: STORES

HEAD: ASSETS & SUPPLY CHAIN

HEAD: DEPARTMENT

APPROVALS



# STORES STOCK ITEM SPECIFICATION & TECHNICAL DATA SHEET



**BERGRIVIER  
MUNICIPALITY**



ITEM NUMBER

WTR-0008003

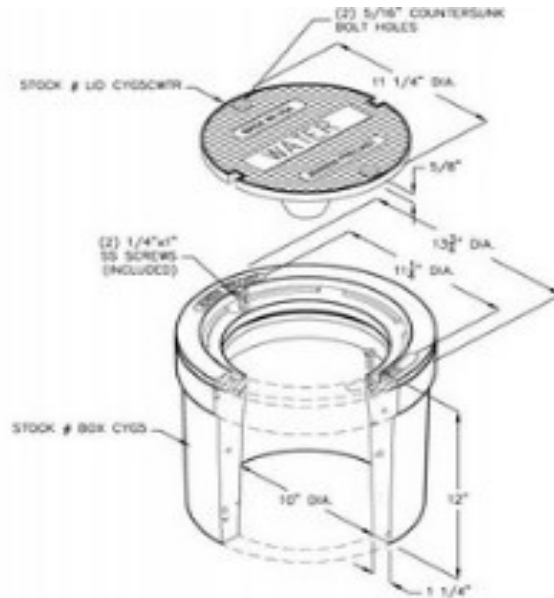
SHORT  
DESCRIPTION

CONSUMER VALVE BOX - PLASTIC

LONG DETAILED  
DESCRIPTION

CONSUMER VALVE BOX - PLASTIC

## TECHNICAL DRAWINGS



## TECHNICAL SPECIFICATIONS

SIZE A (MM)	N/A
SIZE B (MM)	N/A
SIZE C (MM)	N/A
SIZE D	N/A
BRAND	N/A
MANUFACTURER WARRANTY	N/A
MAXIMUM PRESSURE	N/A
MINIMUM PRESSURE	N/A
MAXIMUM TEMPERATURE (°C)	N/A
MINIMUM TEMPERATURE (°C)	N/A
THREAD PITCH (MM)	N/A
THREAD REACH (MM)	N/A
OPERATING TEMPERATURE (°C)	N/A

EXTERNAL MATERIAL	PVC
INTERNAL MATERIAL	PVC
STORAGE REQUIREMENTS	CLEAN & DRY
MSDS REQUIRED	N/A
BOX QUANTITY	EACH

## SPECIAL INSTRUCTIONS

APPROVALS

SUPERVISOR: STORES

HEAD: ASSETS & SUPPLY CHAIN

HEAD: DEPARTMENT

APPROVALS

# STORES STOCK ITEM SPECIFICATION & TECHNICAL DATA SHEET



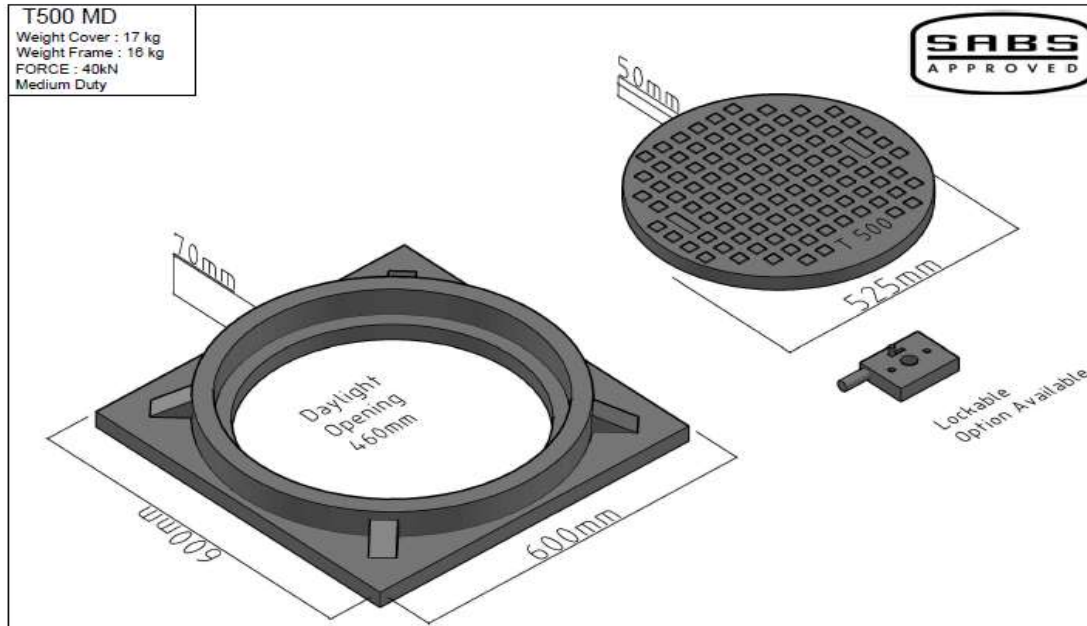
**BERGRIVIER  
MUNICIPALITY**



ITEM NUMBER	WTR-0008004
SHORT DESCRIPTION	POLYMER COMPOSITE MANHOLE - T500 MD
LONG DETAILED DESCRIPTION	POLYMER COMPOSITE MANHOLE - T500 MD

## TECHNICAL DRAWINGS

## TECHNICAL SPECIFICATIONS



SIZE A (MM)	N/A
SIZE B (MM)	N/A
SIZE C (MM)	N/A
SIZE D	N/A
BRAND	N/A
MANUFACTURER WARRANTY	N/A
MAXIMUM PRESSURE	N/A
MINIMUM PRESSURE	N/A
MAXIMUM TEMPERATURE (°C)	N/A
MINIMUM TEMPERATURE (°C)	N/A
THREAD PITCH (MM)	N/A
THREAD REACH (MM)	N/A
OPERATING TEMPERATURE (°C)	N/A

EXTERNAL MATERIAL	POLYMER
INTERNAL MATERIAL	POLYMER
STORAGE REQUIREMENTS	CLEAN & DRY
MSDS REQUIRED	N/A
BOX QUANTITY	EACH

SPECIAL INSTRUCTIONS	

APPROVALS		
	SUPERVISOR: STORES	HEAD: ASSETS & SUPPLY CHAIN

	APPROVALS
HEAD: DEPARTMENT	

# STORES STOCK ITEM SPECIFICATION & TECHNICAL DATA SHEET



**BERGRIVIER  
MUNICIPALITY**



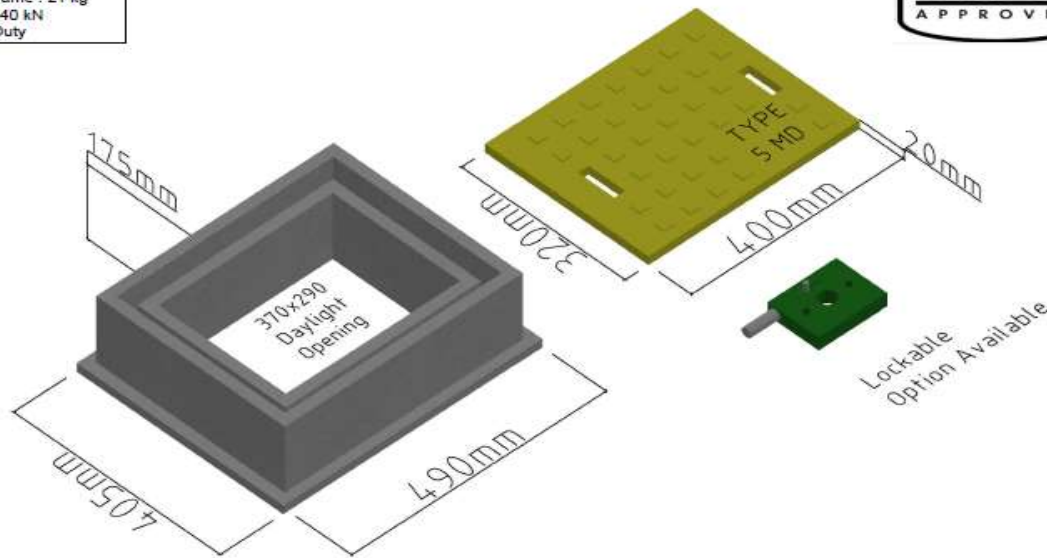
ITEM NUMBER	WTR-0008005
SHORT DESCRIPTION	POLYMER COMPOSITE MANHOLE - TYPE 5 MD
LONG DETAILED DESCRIPTION	POLYMER COMPOSITE MANHOLE - TYPE 5 MD

## TECHNICAL DRAWINGS

## TECHNICAL SPECIFICATIONS

### Type 5 MD

Weight Cover : 8 kg  
Weight Frame : 21 kg  
FORCE : 40 kN  
Medium Duty



SIZE A (MM)	N/A
SIZE B (MM)	N/A
SIZE C (MM)	N/A
SIZE D	N/A
BRAND	N/A
MANUFACTURER WARRANTY	N/A
MAXIMUM PRESSURE	N/A
MINIMUM PRESSURE	N/A
MAXIMUM TEMPERATURE (°C)	N/A
MINIMUM TEMPERATURE (°C)	N/A
THREAD PITCH (MM)	N/A
THREAD REACH (MM)	N/A
OPERATING TEMPERATURE (°C)	N/A

EXTERNAL MATERIAL	POLYMER
INTERNAL MATERIAL	POLYMER
STORAGE REQUIREMENTS	CLEAN & DRY
MSDS REQUIRED	N/A
BOX QUANTITY	EACH

SPECIAL INSTRUCTIONS	

APPROVALS		
	SUPERVISOR: STORES	HEAD: ASSETS & SUPPLY CHAIN

	APPROVALS
HEAD: DEPARTMENT	

# STORES STOCK ITEM SPECIFICATION & TECHNICAL DATA SHEET



**BERGRIVIER  
MUNICIPALITY**



ITEM NUMBER

WTR-0008006

SHORT  
DESCRIPTION

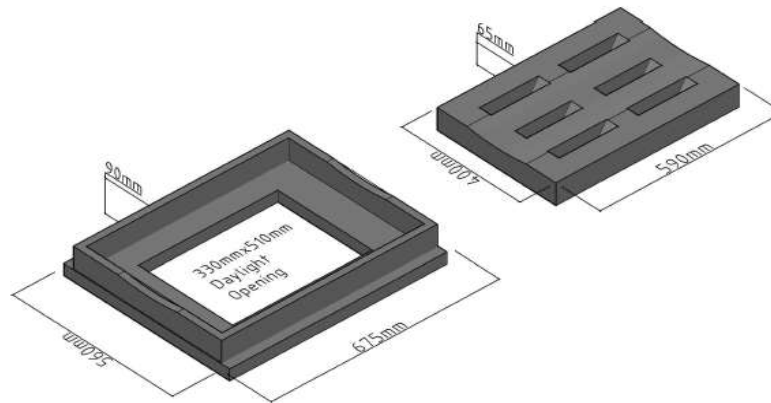
POLYMER COMPOSITE MANHOLE - T 8 GULLY MD

LONG DETAILED  
DESCRIPTION

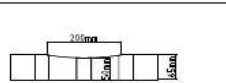
POLYMER COMPOSITE MANHOLE - T 8 GULLY MD

## TECHNICAL DRAWINGS

T 8 Gully MD  
Weight Cover : 23 kg  
Weight Frame : 21 kg  
FORCE : 40 kN  
Medium Duty



Side View



## TECHNICAL SPECIFICATIONS

SIZE A (MM)	N/A
SIZE B (MM)	N/A
SIZE C (MM)	N/A
SIZE D	N/A
BRAND	N/A
MANUFACTURER WARRANTY	N/A
MAXIMUM PRESSURE	N/A
MINIMUM PRESSURE	N/A
MAXIMUM TEMPERATURE (°C)	N/A
MINIMUM TEMPERATURE (°C)	N/A
THREAD PITCH (MM)	N/A
THREAD REACH (MM)	N/A
OPERATING TEMPERATURE (°C)	N/A

EXTERNAL MATERIAL	PVCPOLYMER
INTERNAL MATERIAL	POLYMER
STORAGE REQUIREMENTS	CLEAN & DRY
MSDS REQUIRED	N/A
BOX QUANTITY	EACH

## SPECIAL INSTRUCTIONS

APPROVALS

SUPERVISOR: STORES

HEAD: ASSETS & SUPPLY CHAIN

HEAD: DEPARTMENT

APPROVALS

# STORES STOCK ITEM SPECIFICATION & TECHNICAL DATA SHEET



**BERGRIVIER  
MUNICIPALITY**



ITEM NUMBER

WTR-0008007

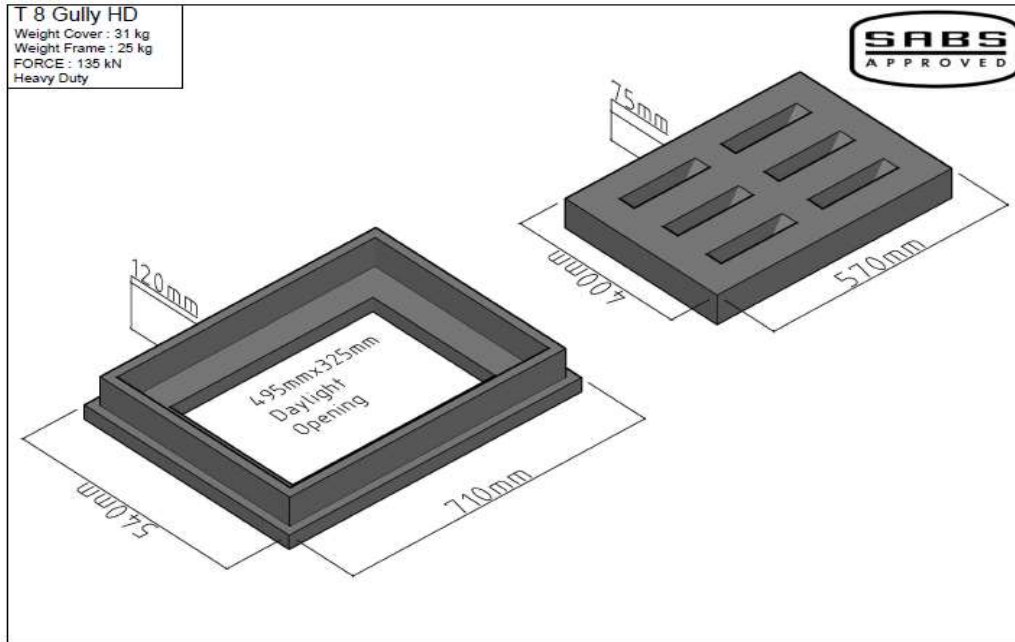
SHORT  
DESCRIPTION

POLYMER COMPOSITE MANHOLE - T 8 GULLY HD

LONG DETAILED  
DESCRIPTION

POLYMER COMPOSITE MANHOLE - T 8 GULLY HD

## TECHNICAL DRAWINGS



## TECHNICAL SPECIFICATIONS

SIZE A (MM)	N/A
SIZE B (MM)	N/A
SIZE C (MM)	N/A
SIZE D	N/A
BRAND	N/A
MANUFACTURER WARRANTY	N/A
MAXIMUM PRESSURE	N/A
MINIMUM PRESSURE	N/A
MAXIMUM TEMPERATURE (°C)	N/A
MINIMUM TEMPERATURE (°C)	N/A
THREAD PITCH (MM)	N/A
THREAD REACH (MM)	N/A
OPERATING TEMPERATURE (°C)	N/A

EXTERNAL MATERIAL	POLYMER
INTERNAL MATERIAL	POLYMER
STORAGE REQUIREMENTS	CLEAN & DRY
MSDS REQUIRED	N/A
BOX QUANTITY	EACH

## SPECIAL INSTRUCTIONS

APPROVALS

SUPERVISOR: STORES

HEAD: ASSETS & SUPPLY CHAIN

HEAD: DEPARTMENT

APPROVALS

# STORES STOCK ITEM SPECIFICATION & TECHNICAL DATA SHEET



**BERGRIVIER  
MUNICIPALITY**



ITEM NUMBER

WTR-0008008

SHORT  
DESCRIPTION

POLYMER COMPOSITE MANHOLE - 600 COMPLETE MH

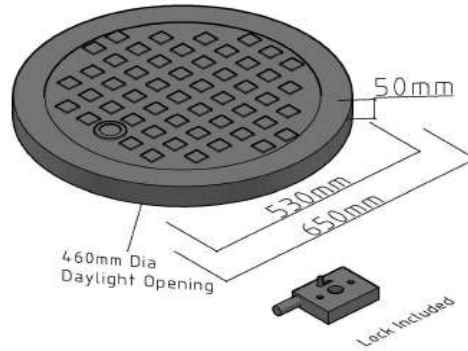
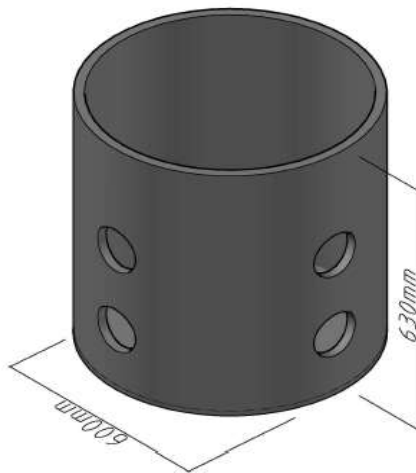
LONG DETAILED  
DESCRIPTION

POLYMER COMPOSITE MANHOLE - 600 COMPLETE MH

## TECHNICAL DRAWINGS

## TECHNICAL SPECIFICATIONS

600 Complete MH  
Weight Assembled : 94kg  
Lockable  
FORCE : 40kN  
Medium Duty



SIZE A (MM)	N/A
SIZE B (MM)	N/A
SIZE C (MM)	N/A
SIZE D	N/A
BRAND	N/A
MANUFACTURER WARRANTY	N/A
MAXIMUM PRESSURE	N/A
MINIMUM PRESSURE	N/A
MAXIMUM TEMPERATURE (°C)	N/A
MINIMUM TEMPERATURE (°C)	N/A
THREAD PITCH (MM)	N/A
THREAD REACH (MM)	N/A
OPERATING TEMPERATURE (°C)	N/A

EXTERNAL MATERIAL	POLYMER
INTERNAL MATERIAL	POLYMER
STORAGE REQUIREMENTS	CLEAN & DRY
MSDS REQUIRED	N/A
BOX QUANTITY	EACH

## SPECIAL INSTRUCTIONS

APPROVALS

SUPERVISOR: STORES

HEAD: ASSETS & SUPPLY CHAIN

HEAD: DEPARTMENT

APPROVALS



# STORES STOCK ITEM SPECIFICATION & TECHNICAL DATA SHEET

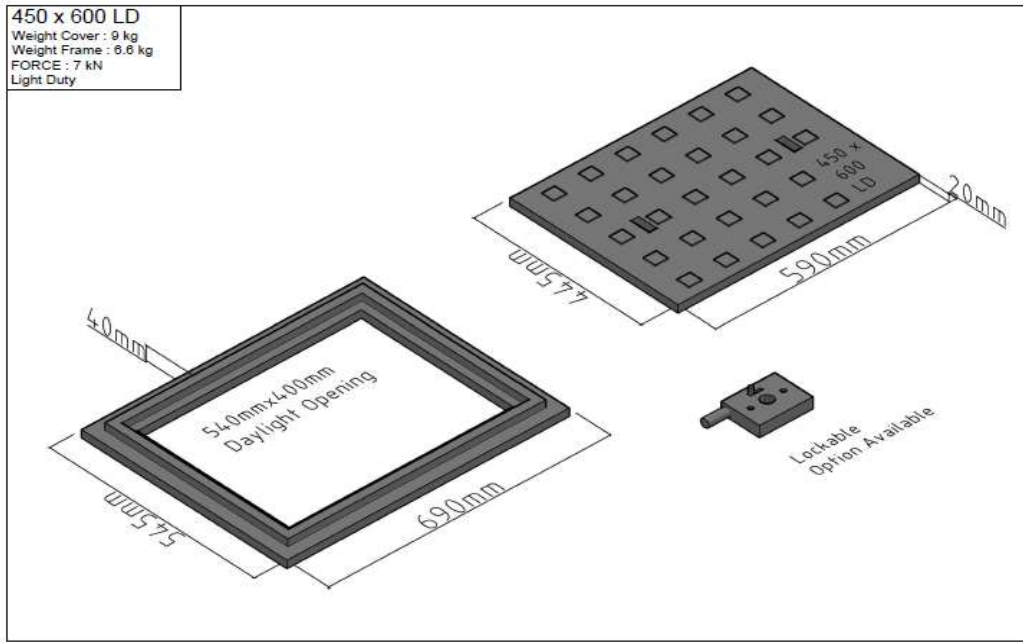


**BERGRIVIER  
MUNICIPALITY**



ITEM NUMBER	WTR-0008009
SHORT DESCRIPTION	POLYMER COMPOSITE MANHOLE - 450 x 600 LD
LONG DETAILED DESCRIPTION	POLYMER COMPOSITE MANHOLE - 450 x 600 LIGHT DUTY

## TECHNICAL DRAWINGS



## TECHNICAL SPECIFICATIONS

SIZE A (MM)	N/A
SIZE B (MM)	N/A
SIZE C (MM)	N/A
SIZE D	N/A
BRAND	N/A
MANUFACTURER WARRANTY	N/A
MAXIMUM PRESSURE	N/A
MINIMUM PRESSURE	N/A
MAXIMUM TEMPERATURE (°C)	N/A
MINIMUM TEMPERATURE (°C)	N/A
THREAD PITCH (MM)	N/A
THREAD REACH (MM)	N/A
OPERATING TEMPERATURE (°C)	N/A

EXTERNAL MATERIAL	POLYMER
INTERNAL MATERIAL	POLYMER
STORAGE REQUIREMENTS	CLEAN & DRY
MSDS REQUIRED	N/A
BOX QUANTITY	EACH

SPECIAL INSTRUCTIONS	

APPROVALS				APPROVALS
	SUPERVISOR: STORES	HEAD: ASSETS & SUPPLY CHAIN	HEAD: DEPARTMENT	



# STORES STOCK ITEM SPECIFICATION & TECHNICAL DATA SHEET

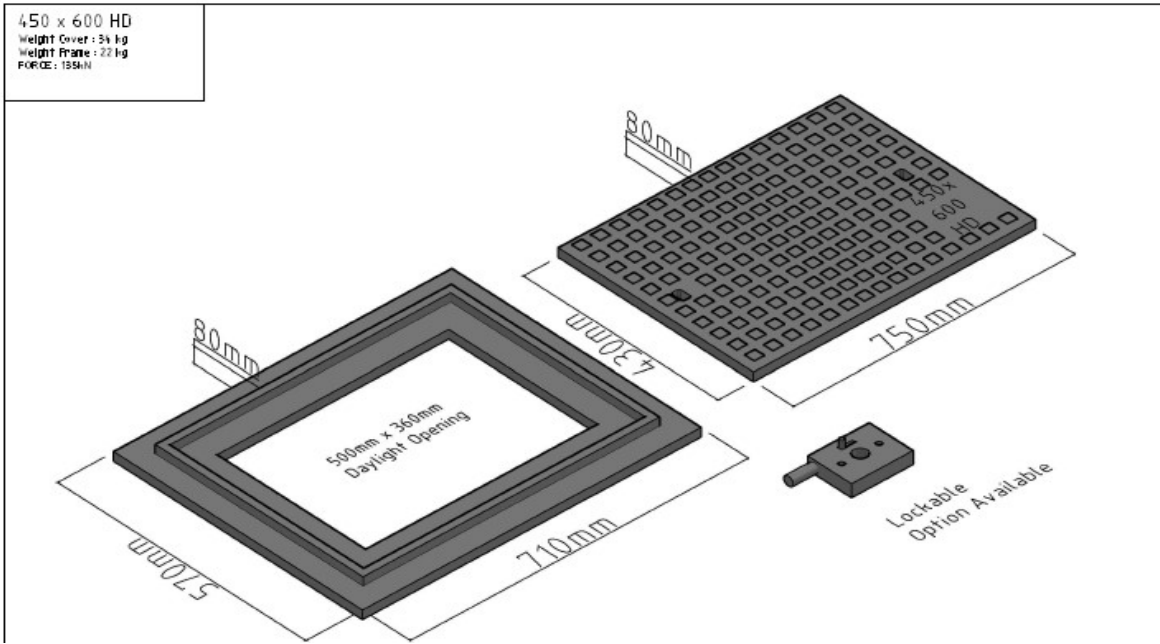


**BERGRIVIER  
MUNICIPALITY**



ITEM NUMBER	WTR-0008010
SHORT DESCRIPTION	POLYMER COMPOSITE MANHOLE - 450 x 600 HD
LONG DETAILED DESCRIPTION	POLYMER COMPOSITE MANHOLE - 450 x 600 HEAVY DUTY

## TECHNICAL DRAWINGS



## TECHNICAL SPECIFICATIONS

SIZE A (MM)	N/A
SIZE B (MM)	N/A
SIZE C (MM)	N/A
SIZE D	N/A
BRAND	N/A
MANUFACTURER WARRANTY	N/A
MAXIMUM PRESSURE	N/A
MINIMUM PRESSURE	N/A
MAXIMUM TEMPERATURE (°C)	N/A
MINIMUM TEMPERATURE (°C)	N/A
THREAD PITCH (MM)	N/A
THREAD REACH (MM)	N/A
OPERATING TEMPERATURE (°C)	N/A

EXTERNAL MATERIAL	POLYMER
INTERNAL MATERIAL	POLYMER
STORAGE REQUIREMENTS	CLEAN & DRY
MSDS REQUIRED	N/A
BOX QUANTITY	EACH

SPECIAL INSTRUCTIONS	

APPROVALS		
	SUPERVISOR: STORES	HEAD: ASSETS & SUPPLY CHAIN

	HEAD: DEPARTMENT	APPROVALS

# STORES STOCK ITEM SPECIFICATION & TECHNICAL DATA SHEET

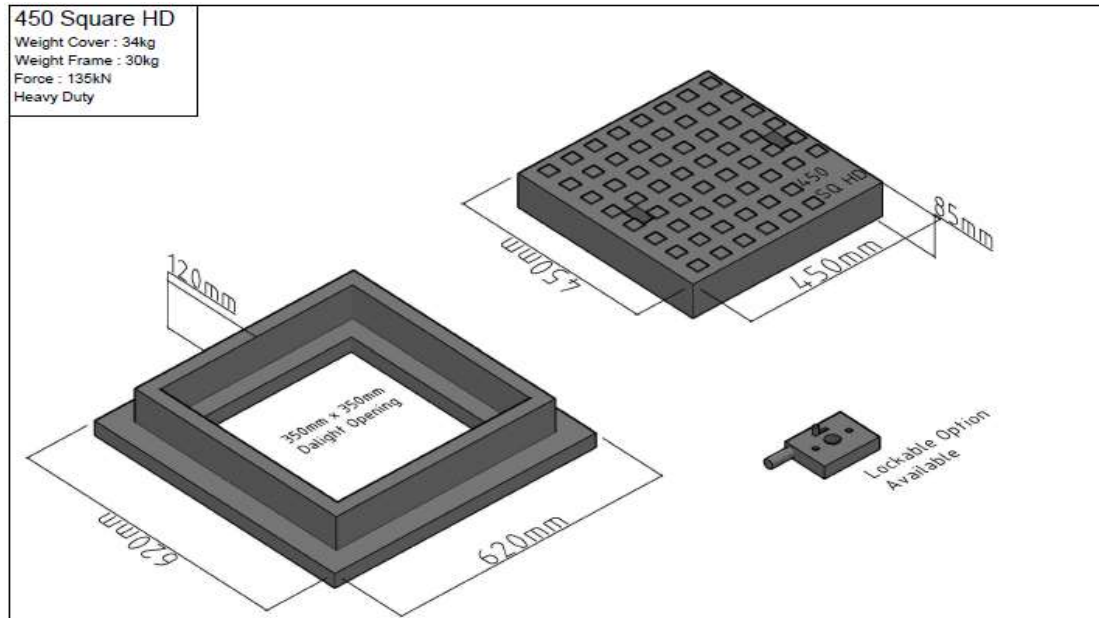


**BERGRIVIER  
MUNICIPALITY**



ITEM NUMBER	WTR-0008011
SHORT DESCRIPTION	POLYMER COMPOSITE MANHOLE - 450 SQUARE HD
LONG DETAILED DESCRIPTION	POLYMER COMPOSITE MANHOLE - 450 SQUARE HEAVY DUTY

## TECHNICAL DRAWINGS



## TECHNICAL SPECIFICATIONS

SIZE A (MM)	N/A
SIZE B (MM)	N/A
SIZE C (MM)	N/A
SIZE D	N/A
BRAND	N/A
MANUFACTURER WARRANTY	N/A
MAXIMUM PRESSURE	N/A
MINIMUM PRESSURE	N/A
MAXIMUM TEMPERATURE (°C)	N/A
MINIMUM TEMPERATURE (°C)	N/A
THREAD PITCH (MM)	N/A
THREAD REACH (MM)	N/A
OPERATING TEMPERATURE (°C)	N/A

EXTERNAL MATERIAL	POLYMER
INTERNAL MATERIAL	POLYMER
STORAGE REQUIREMENTS	CLEAN & DRY
MSDS REQUIRED	N/A
BOX QUANTITY	EACH

## SPECIAL INSTRUCTIONS

APPROVALS				APPROVALS
	SUPERVISOR: STORES	HEAD: ASSETS & SUPPLY CHAIN	HEAD: DEPARTMENT	

# STORES STOCK ITEM SPECIFICATION & TECHNICAL DATA SHEET

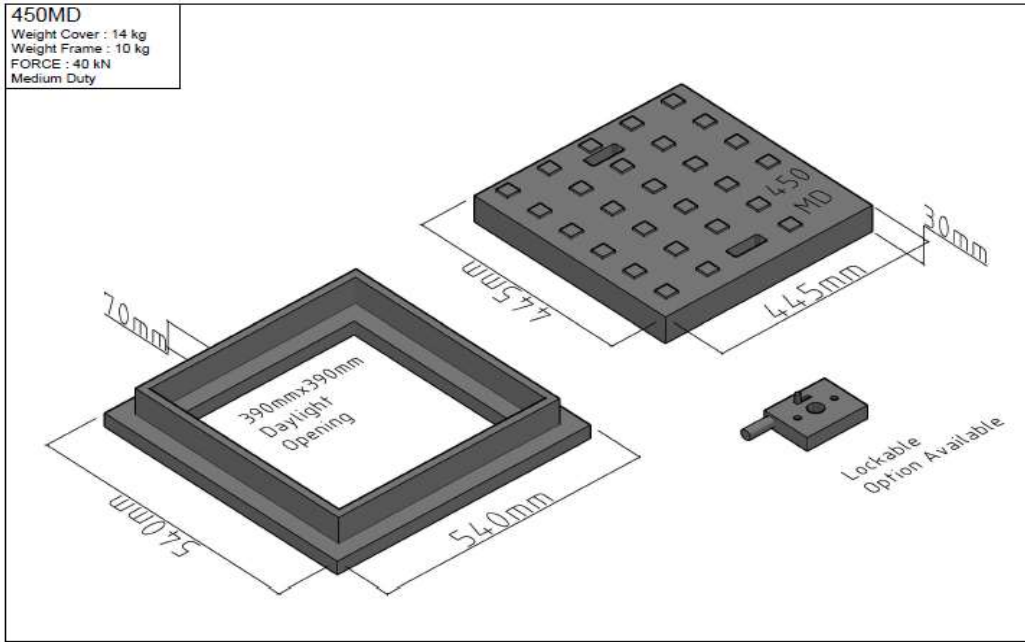


**BERGRIVIER  
MUNICIPALITY**



ITEM NUMBER	WTR-0008012
SHORT DESCRIPTION	POLYMER COMPOSITE MANHOLE - 450MD
LONG DETAILED DESCRIPTION	POLYMER COMPOSITE MANHOLE - 450 MEDIUM DUTY

## TECHNICAL DRAWINGS



## TECHNICAL SPECIFICATIONS

SIZE A (MM)	N/A
SIZE B (MM)	N/A
SIZE C (MM)	N/A
SIZE D	N/A
BRAND	N/A
MANUFACTURER WARRANTY	N/A
MAXIMUM PRESSURE	N/A
MINIMUM PRESSURE	N/A
MAXIMUM TEMPERATURE (°C)	N/A
MINIMUM TEMPERATURE (°C)	N/A
THREAD PITCH (MM)	N/A
THREAD REACH (MM)	N/A
OPERATING TEMPERATURE (°C)	N/A

EXTERNAL MATERIAL	POLYMER
INTERNAL MATERIAL	POLYMER
STORAGE REQUIREMENTS	CLEAN & DRY
MSDS REQUIRED	N/A
BOX QUANTITY	EACH

## SPECIAL INSTRUCTIONS

APPROVALS				APPROVALS
	SUPERVISOR: STORES	HEAD: ASSETS & SUPPLY CHAIN	HEAD: DEPARTMENT	

# STORES STOCK ITEM SPECIFICATION & TECHNICAL DATA SHEET



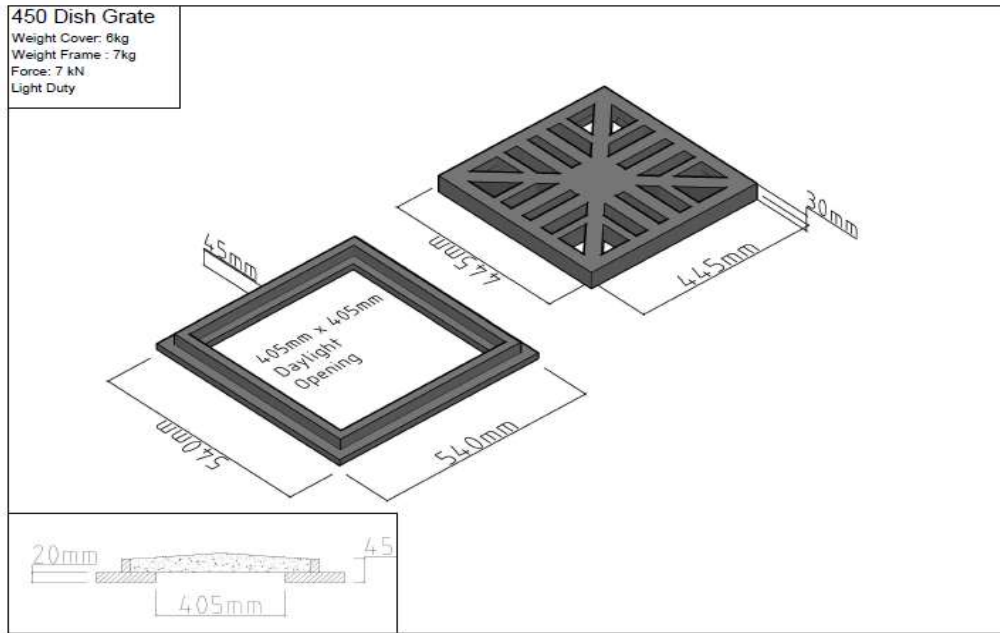
**BERGRIVIER  
MUNICIPALITY**



ITEM NUMBER	WTR-0008013
SHORT DESCRIPTION	POLYMER COMPOSITE MANHOLE - 450 DISH GRATE
LONG DETAILED DESCRIPTION	POLYMER COMPOSITE MANHOLE - 450 DISH GRATE

## TECHNICAL DRAWINGS

450 Dish Grate  
Weight Cover: 6kg  
Weight Frame : 7kg  
Force: 7 kN  
Light Duty



## TECHNICAL SPECIFICATIONS

SIZE A (MM)	N/A
SIZE B (MM)	N/A
SIZE C (MM)	N/A
SIZE D	N/A
BRAND	N/A
MANUFACTURER WARRANTY	N/A
MAXIMUM PRESSURE	N/A
MINIMUM PRESSURE	N/A
MAXIMUM TEMPERATURE (°C)	N/A
MINIMUM TEMPERATURE (°C)	N/A
THREAD PITCH (MM)	N/A
THREAD REACH (MM)	N/A
OPERATING TEMPERATURE (°C)	N/A

EXTERNAL MATERIAL	POLYMER
INTERNAL MATERIAL	POLYMER
STORAGE REQUIREMENTS	CLEAN & DRY
MSDS REQUIRED	N/A
BOX QUANTITY	EACH

## SPECIAL INSTRUCTIONS

APPROVALS				APPROVALS
	SUPERVISOR: STORES	HEAD: ASSETS & SUPPLY CHAIN	HEAD: DEPARTMENT	

# STORES STOCK ITEM SPECIFICATION & TECHNICAL DATA SHEET



**BERGRIVIER  
MUNICIPALITY**

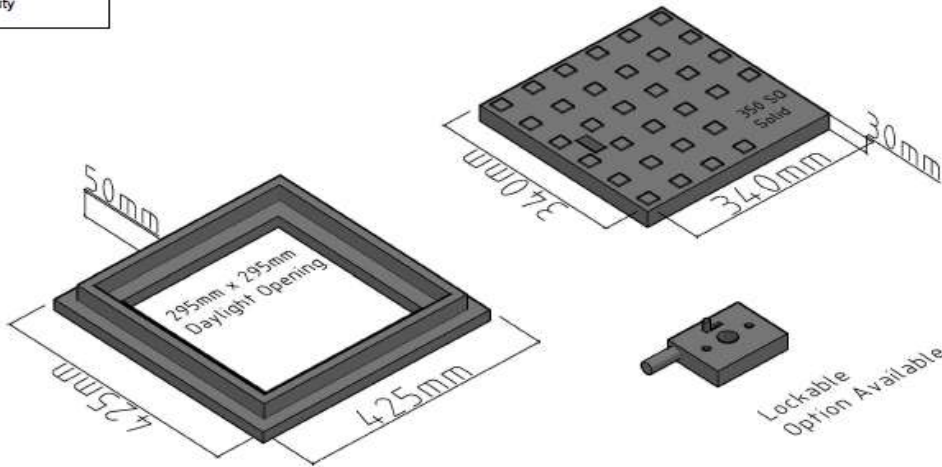


ITEM NUMBER	WTR-0008014
SHORT DESCRIPTION	POLYMER COMPOSITE MANHOLE - 350 SQ SOLID
LONG DETAILED DESCRIPTION	POLYMER COMPOSITE MANHOLE - 350 SQ SOLID

## TECHNICAL DRAWINGS

## TECHNICAL SPECIFICATIONS

350 SQ Solid  
Weight Cover: 6kg  
Weight Frame: 5kg  
Force: 40 kN  
Medium Duty



SIZE A (MM)	N/A
SIZE B (MM)	N/A
SIZE C (MM)	N/A
SIZE D	N/A
BRAND	N/A
MANUFACTURER WARRANTY	N/A
MAXIMUM PRESSURE	N/A
MINIMUM PRESSURE	N/A
MAXIMUM TEMPERATURE (°C)	N/A
MINIMUM TEMPERATURE (°C)	N/A
THREAD PITCH (MM)	N/A
THREAD REACH (MM)	N/A
OPERATING TEMPERATURE (°C)	N/A

EXTERNAL MATERIAL	POLYMER
INTERNAL MATERIAL	POLYMER
STORAGE REQUIREMENTS	CLEAN & DRY
MSDS REQUIRED	N/A
BOX QUANTITY	EACH

SPECIAL INSTRUCTIONS	

APPROVALS		
	SUPERVISOR: STORES	HEAD: ASSETS & SUPPLY CHAIN

	APPROVALS
HEAD: DEPARTMENT	



# STORES STOCK ITEM SPECIFICATION & TECHNICAL DATA SHEET



**BERGRIVIER  
MUNICIPALITY**

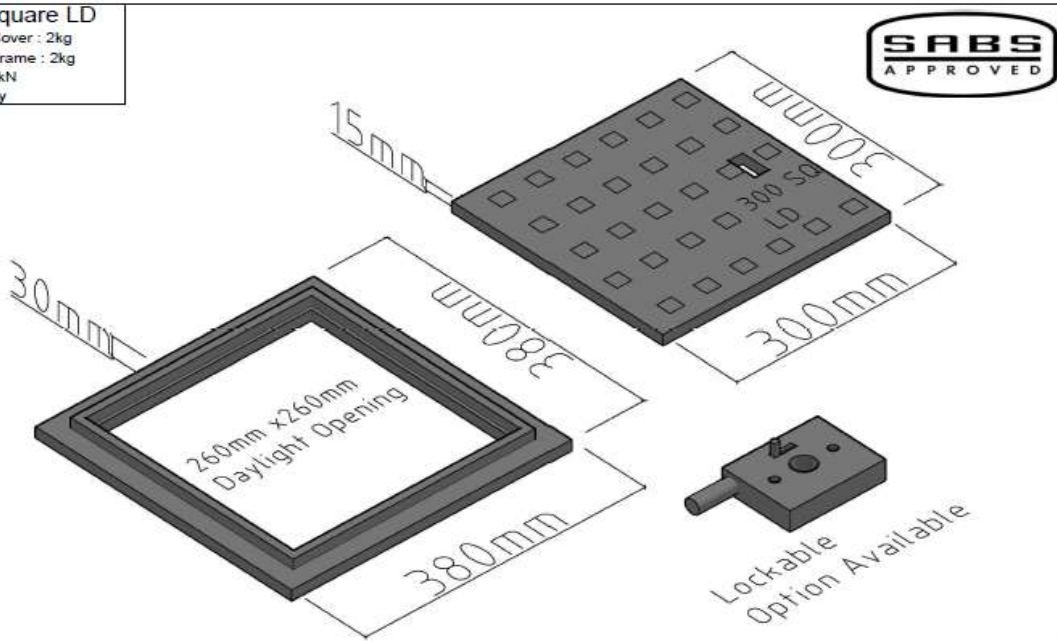


ITEM NUMBER	WTR-0008015
SHORT DESCRIPTION	POLYMER COMPOSITE MANHOLE - 300 SQUARE LD
LONG DETAILED DESCRIPTION	POLYMER COMPOSITE MANHOLE - 300 SQUARE LIGHT DUTY

## TECHNICAL DRAWINGS

## TECHNICAL SPECIFICATIONS

300 Square LD  
Weight Cover : 2kg  
Weight Frame : 2kg  
Force : 7kN  
Light Duty



SIZE A (MM)	N/A
SIZE B (MM)	N/A
SIZE C (MM)	N/A
SIZE D	N/A
BRAND	N/A
MANUFACTURER WARRANTY	N/A
MAXIMUM PRESSURE	N/A
MINIMUM PRESSURE	N/A
MAXIMUM TEMPERATURE (°C)	N/A
MINIMUM TEMPERATURE (°C)	N/A
THREAD PITCH (MM)	N/A
THREAD REACH (MM)	N/A
OPERATING TEMPERATURE (°C)	N/A

EXTERNAL MATERIAL	POLYMER
INTERNAL MATERIAL	POLYMER
STORAGE REQUIREMENTS	CLEAN & DRY
MSDS REQUIRED	N/A
BOX QUANTITY	EACH

SPECIAL INSTRUCTIONS	

APPROVALS				APPROVALS
	SUPERVISOR: STORES	HEAD: ASSETS & SUPPLY CHAIN	HEAD: DEPARTMENT	

# STORES STOCK ITEM SPECIFICATION & TECHNICAL DATA SHEET



**BERGRIVIER  
MUNICIPALITY**

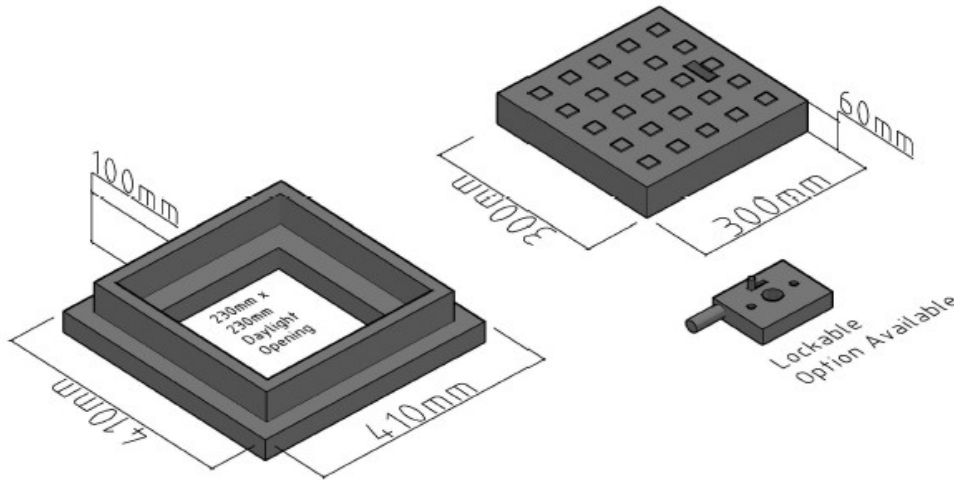


ITEM NUMBER	WTR-0008016
SHORT DESCRIPTION	POLYMER COMPOSITE MANHOLE - 300 SQUARE HD
LONG DETAILED DESCRIPTION	POLYMER COMPOSITE MANHOLE - 300 SQUARE HEAVY DUTY

## TECHNICAL DRAWINGS

## TECHNICAL SPECIFICATIONS

**300 Square HD**  
 Weight Cover : 10 kg  
 Weight Frame : 13 kg  
 FORCE : 135 kN  
 Heavy Duty



SIZE A (MM)	N/A
SIZE B (MM)	N/A
SIZE C (MM)	N/A
SIZE D	N/A
BRAND	N/A
MANUFACTURER WARRANTY	N/A
MAXIMUM PRESSURE	N/A
MINIMUM PRESSURE	N/A
MAXIMUM TEMPERATURE (°C)	N/A
MINIMUM TEMPERATURE (°C)	N/A
THREAD PITCH (MM)	N/A
THREAD REACH (MM)	N/A
OPERATING TEMPERATURE (°C)	N/A

EXTERNAL MATERIAL	POLYMER
INTERNAL MATERIAL	POLYMER
STORAGE REQUIREMENTS	CLEAN & DRY
MSDS REQUIRED	N/A
BOX QUANTITY	EACH

SPECIAL INSTRUCTIONS	

APPROVALS		
	SUPERVISOR: STORES	HEAD: ASSETS & SUPPLY CHAIN

	APPROVALS
HEAD: DEPARTMENT	



# STORES STOCK ITEM SPECIFICATION & TECHNICAL DATA SHEET



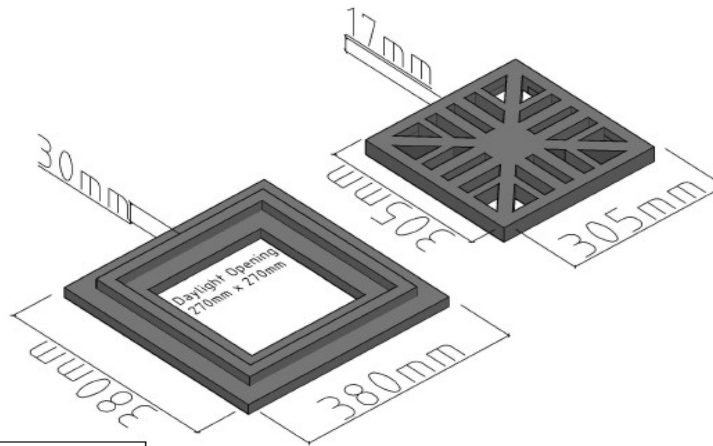
**BERGRIVIER  
MUNICIPALITY**



ITEM NUMBER	WTR-0008017
SHORT DESCRIPTION	POLYMER COMPOSITE MANHOLE - 300 DISH GRATE
LONG DETAILED DESCRIPTION	POLYMER COMPOSITE MANHOLE - 300 DISH GRATE

## TECHNICAL DRAWINGS

300 Dishgrate  
Weight Cover : 2 kg  
Weight Frame : 2 kg  
FORCE : 100 kg Load



Side View



## TECHNICAL SPECIFICATIONS

SIZE A (MM)	N/A
SIZE B (MM)	N/A
SIZE C (MM)	N/A
SIZE D	N/A
BRAND	N/A
MANUFACTURER WARRANTY	N/A
MAXIMUM PRESSURE	N/A
MINIMUM PRESSURE	N/A
MAXIMUM TEMPERATURE (°C)	N/A
MINIMUM TEMPERATURE (°C)	N/A
THREAD PITCH (MM)	N/A
THREAD REACH (MM)	N/A
OPERATING TEMPERATURE (°C)	N/A

EXTERNAL MATERIAL	POLYMER
INTERNAL MATERIAL	POLYMER
STORAGE REQUIREMENTS	CLEAN & DRY
MSDS REQUIRED	N/A
BOX QUANTITY	EACH

## SPECIAL INSTRUCTIONS

APPROVALS				APPROVALS
	SUPERVISOR: STORES	HEAD: ASSETS & SUPPLY CHAIN	HEAD: DEPARTMENT	

# STORES STOCK ITEM SPECIFICATION & TECHNICAL DATA SHEET



**BERGRIVIER  
MUNICIPALITY**



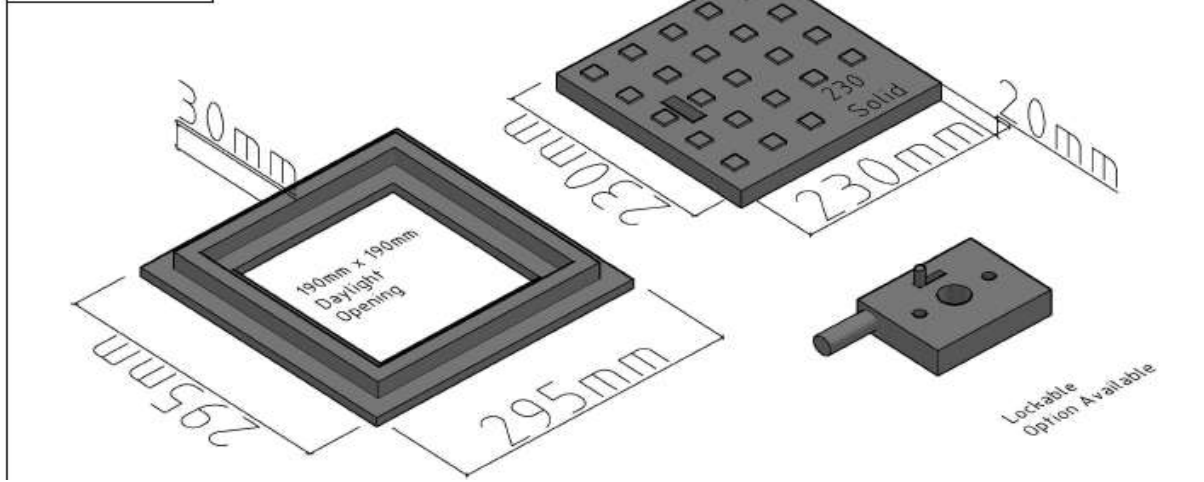
ITEM NUMBER	WTR-0008018
SHORT DESCRIPTION	POLYMER COMPOSITE MANHOLE - 230 SOLID
LONG DETAILED DESCRIPTION	POLYMER COMPOSITE MANHOLE - 230 SOLID

## TECHNICAL DRAWINGS

## TECHNICAL SPECIFICATIONS

### 230 Solid

Weight Cover : 1,5kg  
Weight Frame : 1,5kg  
Force: 7kN  
Light Duty



SIZE A (MM)	N/A
SIZE B (MM)	N/A
SIZE C (MM)	N/A
SIZE D	N/A
BRAND	N/A
MANUFACTURER WARRANTY	N/A
MAXIMUM PRESSURE	N/A
MINIMUM PRESSURE	N/A
MAXIMUM TEMPERATURE (°C)	N/A
MINIMUM TEMPERATURE (°C)	N/A
THREAD PITCH (MM)	N/A
THREAD REACH (MM)	N/A
OPERATING TEMPERATURE (°C)	N/A

EXTERNAL MATERIAL	POLYMER
INTERNAL MATERIAL	POLYMER
STORAGE REQUIREMENTS	CLEAN & DRY
MSDS REQUIRED	N/A
BOX QUANTITY	EACH

SPECIAL INSTRUCTIONS	

APPROVALS		
	SUPERVISOR: STORES	HEAD: ASSETS & SUPPLY CHAIN

	APPROVALS
HEAD: DEPARTMENT	

# STORES STOCK ITEM SPECIFICATION & TECHNICAL DATA SHEET

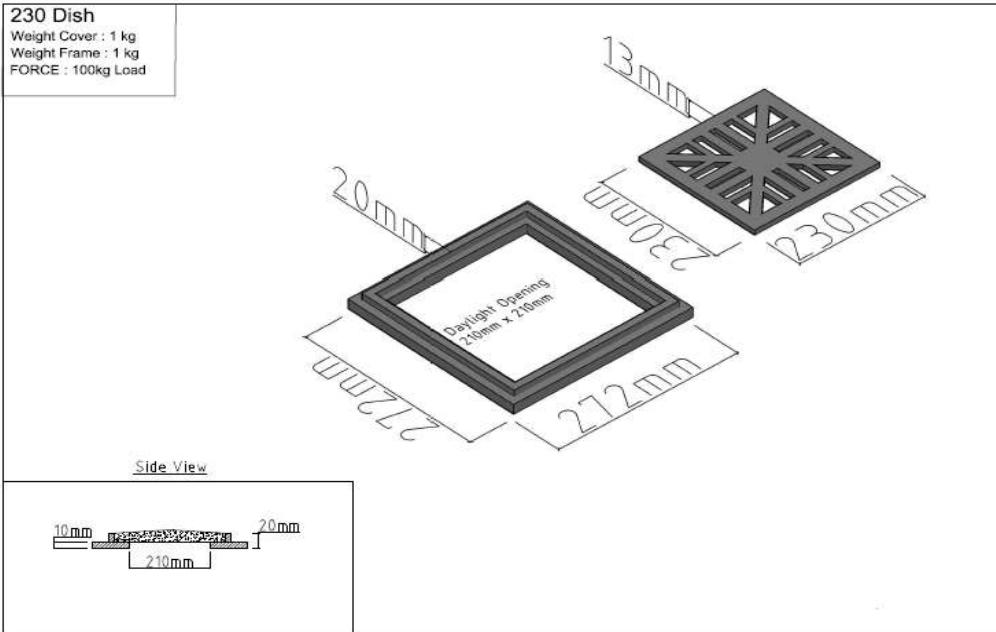


**BERGRIVIER  
MUNICIPALITY**



ITEM NUMBER	WTR-0008019
SHORT DESCRIPTION	POLYMER COMPOSITE MANHOLE - 230 DISH GRATE
LONG DETAILED DESCRIPTION	POLYMER COMPOSITE MANHOLE - 230 DISH GRATE

## TECHNICAL DRAWINGS



## TECHNICAL SPECIFICATIONS

SIZE A (MM)	N/A
SIZE B (MM)	N/A
SIZE C (MM)	N/A
SIZE D	N/A
BRAND	N/A
MANUFACTURER WARRANTY	N/A
MAXIMUM PRESSURE	N/A
MINIMUM PRESSURE	N/A
MAXIMUM TEMPERATURE (°C)	N/A
MINIMUM TEMPERATURE (°C)	N/A
THREAD PITCH (MM)	N/A
THREAD REACH (MM)	N/A
OPERATING TEMPERATURE (°C)	N/A

EXTERNAL MATERIAL	POLYMER
INTERNAL MATERIAL	POLYMER
STORAGE REQUIREMENTS	CLEAN & DRY
MSDS REQUIRED	N/A
BOX QUANTITY	EACH

SPECIAL INSTRUCTIONS	

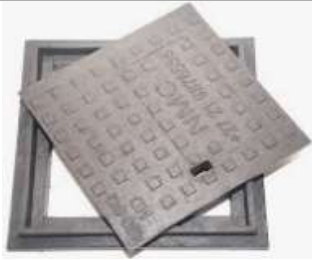
APPROVALS		
	SUPERVISOR: STORES	HEAD: ASSETS & SUPPLY CHAIN

	APPROVALS
HEAD: DEPARTMENT	

# STORES STOCK ITEM SPECIFICATION & TECHNICAL DATA SHEET



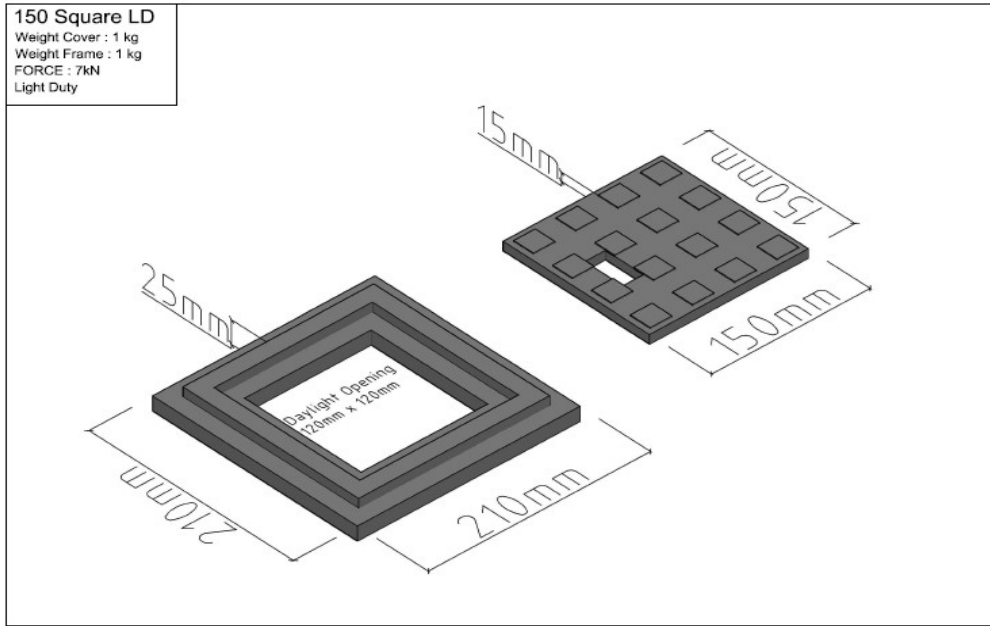
**BERGRIVIER  
MUNICIPALITY**



ITEM NUMBER	WTR-0008020
SHORT DESCRIPTION	POLYMER COMPOSITE MANHOLE - 150 SQUARE LD
LONG DETAILED DESCRIPTION	POLYMER COMPOSITE MANHOLE - 150 SQUARE LIGHT DUTY

## TECHNICAL DRAWINGS

150 Square LD  
Weight Cover : 1 kg  
Weight Frame : 1 kg  
FORCE : 7kN  
Light Duty



## TECHNICAL SPECIFICATIONS

SIZE A (MM)	N/A
SIZE B (MM)	N/A
SIZE C (MM)	N/A
SIZE D	N/A
BRAND	N/A
MANUFACTURER WARRANTY	N/A
MAXIMUM PRESSURE	N/A
MINIMUM PRESSURE	N/A
MAXIMUM TEMPERATURE (°C)	N/A
MINIMUM TEMPERATURE (°C)	N/A
THREAD PITCH (MM)	N/A
THREAD REACH (MM)	N/A
OPERATING TEMPERATURE (°C)	N/A

EXTERNAL MATERIAL	POLYMER
INTERNAL MATERIAL	POLYMER
STORAGE REQUIREMENTS	CLEAN & DRY
MSDS REQUIRED	N/A
BOX QUANTITY	EACH

## SPECIAL INSTRUCTIONS

APPROVALS				APPROVALS
	SUPERVISOR: STORES	HEAD: ASSETS & SUPPLY CHAIN	HEAD: DEPARTMENT	

# STORES STOCK ITEM SPECIFICATION & TECHNICAL DATA SHEET

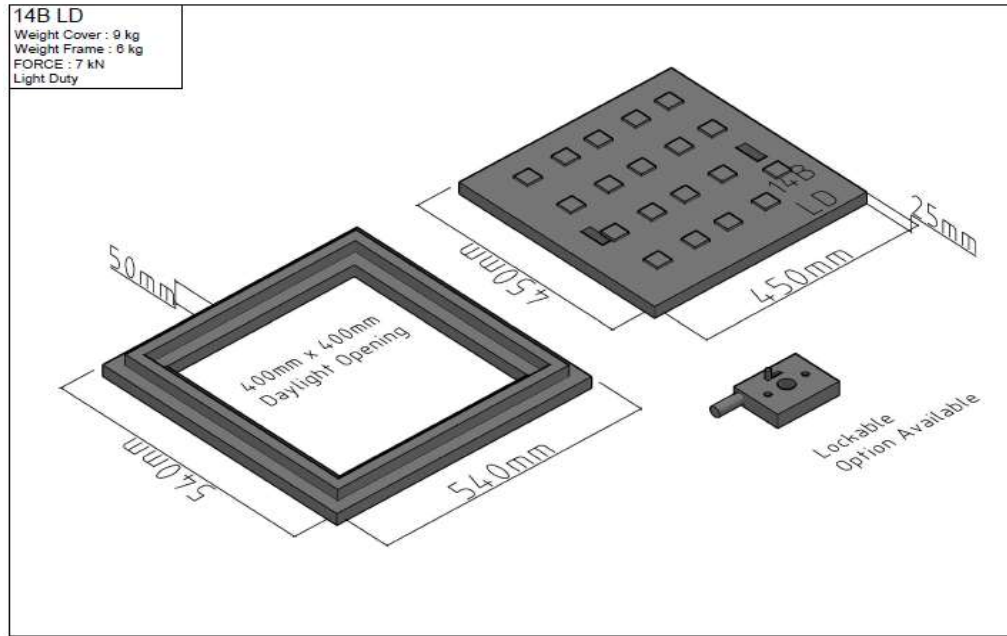


**BERGRIVIER  
MUNICIPALITY**



ITEM NUMBER	WTR-0008021
SHORT DESCRIPTION	POLYMER COMPOSITE MANHOLE - 14B LD
LONG DETAILED DESCRIPTION	POLYMER COMPOSITE MANHOLE - 14B LIGHT DUTY

## TECHNICAL DRAWINGS



## TECHNICAL SPECIFICATIONS

SIZE A (MM)	N/A
SIZE B (MM)	N/A
SIZE C (MM)	N/A
SIZE D	N/A
BRAND	N/A
MANUFACTURER WARRANTY	N/A
MAXIMUM PRESSURE	N/A
MINIMUM PRESSURE	N/A
MAXIMUM TEMPERATURE (°C)	N/A
MINIMUM TEMPERATURE (°C)	N/A
THREAD PITCH (MM)	N/A
THREAD REACH (MM)	N/A
OPERATING TEMPERATURE (°C)	N/A

EXTERNAL MATERIAL	POLYMER
INTERNAL MATERIAL	POLYMER
STORAGE REQUIREMENTS	CLEAN & DRY
MSDS REQUIRED	N/A
BOX QUANTITY	EACH

## SPECIAL INSTRUCTIONS

APPROVALS				APPROVALS
	SUPERVISOR: STORES	HEAD: ASSETS & SUPPLY CHAIN	HEAD: DEPARTMENT	



# STORES STOCK ITEM SPECIFICATION & TECHNICAL DATA SHEET

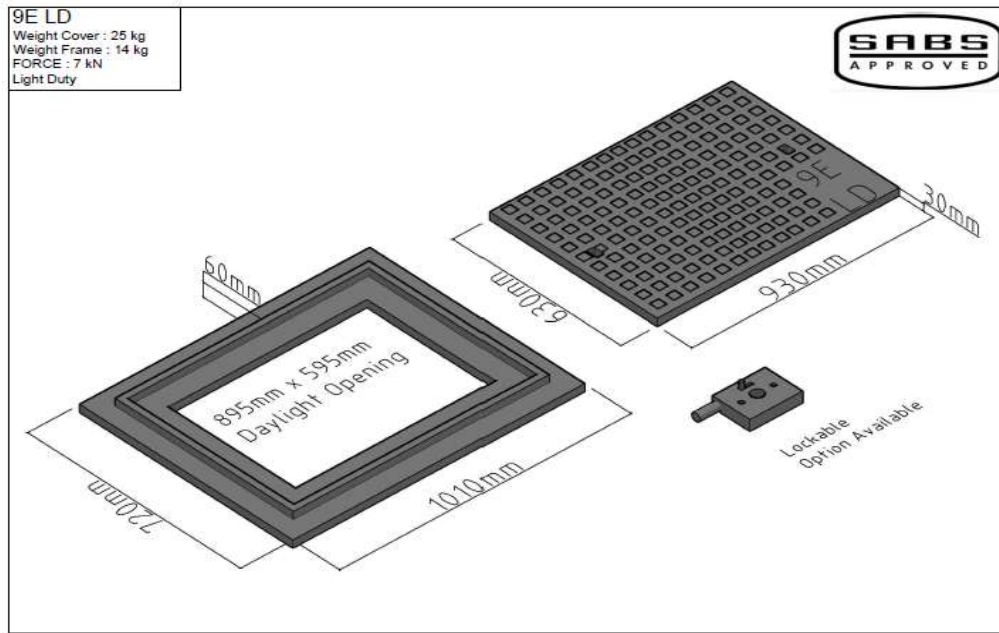


**BERGRIVIER  
MUNICIPALITY**



ITEM NUMBER	WTR-0008022
SHORT DESCRIPTION	POLYMER COMPOSITE MANHOLE - 9E LD
LONG DETAILED DESCRIPTION	POLYMER COMPOSITE MANHOLE - 9E LIGHT DUTY

## TECHNICAL DRAWINGS



## TECHNICAL SPECIFICATIONS

SIZE A (MM)	N/A
SIZE B (MM)	N/A
SIZE C (MM)	N/A
SIZE D	N/A
BRAND	N/A
MANUFACTURER WARRANTY	N/A
MAXIMUM PRESSURE	N/A
MINIMUM PRESSURE	N/A
MAXIMUM TEMPERATURE (°C)	N/A
MINIMUM TEMPERATURE (°C)	N/A
THREAD PITCH (MM)	N/A
THREAD REACH (MM)	N/A
OPERATING TEMPERATURE (°C)	N/A

EXTERNAL MATERIAL	POLYMER
INTERNAL MATERIAL	POLYMER
STORAGE REQUIREMENTS	CLEAN & DRY
MSDS REQUIRED	N/A
BOX QUANTITY	EACH

## SPECIAL INSTRUCTIONS

APPROVALS				APPROVALS
	SUPERVISOR: STORES	HEAD: ASSETS & SUPPLY CHAIN	HEAD: DEPARTMENT	

# STORES STOCK ITEM SPECIFICATION & TECHNICAL DATA SHEET

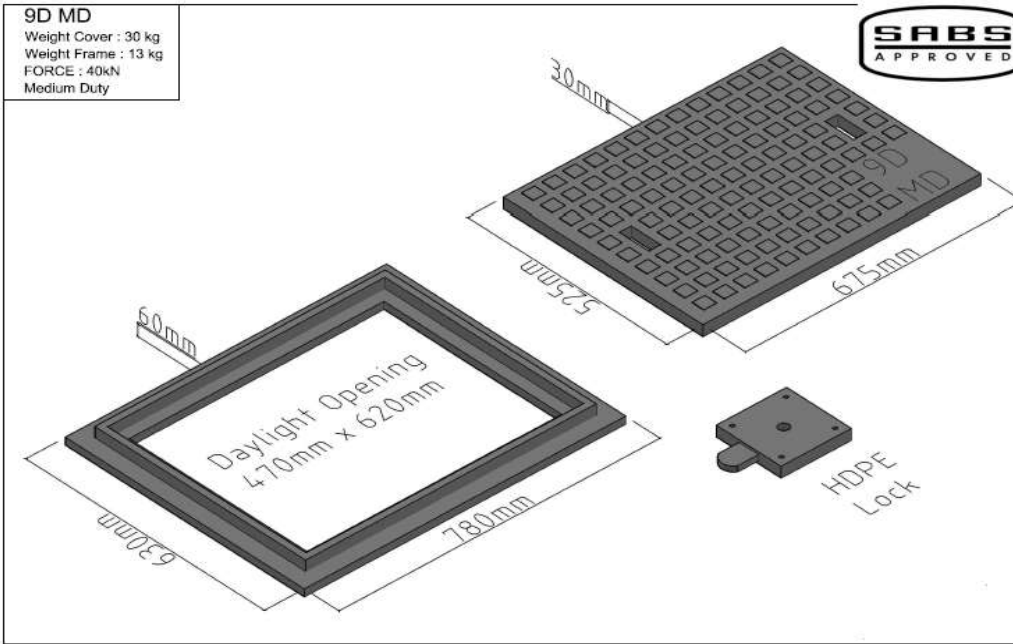


**BERGRIVIER  
MUNICIPALITY**



ITEM NUMBER	WTR-0008023
SHORT DESCRIPTION	POLYMER COMPOSITE MANHOLE - 9D MD
LONG DETAILED DESCRIPTION	POLYMER COMPOSITE MANHOLE - 9D MEDIUM DUTY

## TECHNICAL DRAWINGS



## TECHNICAL SPECIFICATIONS

SIZE A (MM)	N/A
SIZE B (MM)	N/A
SIZE C (MM)	N/A
SIZE D	N/A
BRAND	N/A
MANUFACTURER WARRANTY	N/A
MAXIMUM PRESSURE	N/A
MINIMUM PRESSURE	N/A
MAXIMUM TEMPERATURE (°C)	N/A
MINIMUM TEMPERATURE (°C)	N/A
THREAD PITCH (MM)	N/A
THREAD REACH (MM)	N/A
OPERATING TEMPERATURE (°C)	N/A

EXTERNAL MATERIAL	POLYMER
INTERNAL MATERIAL	POLYMER
STORAGE REQUIREMENTS	CLEAN & DRY
MSDS REQUIRED	N/A
BOX QUANTITY	EACH

## SPECIAL INSTRUCTIONS

APPROVALS

SUPERVISOR: STORES

HEAD: ASSETS & SUPPLY CHAIN

HEAD: DEPARTMENT

APPROVALS



# STORES STOCK ITEM SPECIFICATION & TECHNICAL DATA SHEET



**BERGRIVIER  
MUNICIPALITY**



ITEM NUMBER

WTR-0008024

SHORT  
DESCRIPTION

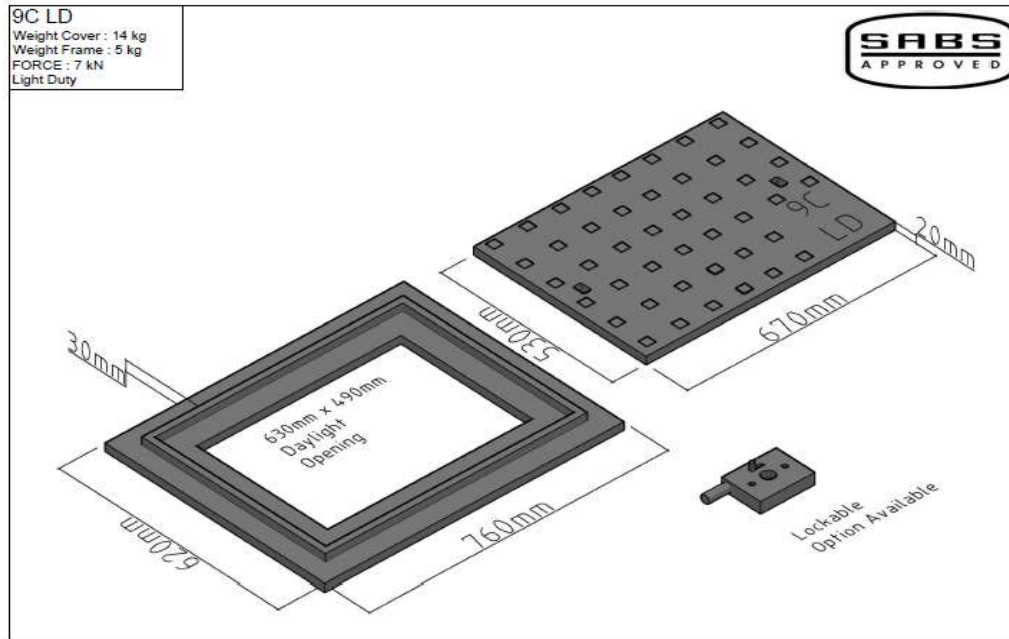
POLYMER COMPOSITE MANHOLE - 9C LD

LONG DETAILED  
DESCRIPTION

POLYMER COMPOSITE MANHOLE - 9C LD

## TECHNICAL DRAWINGS

## TECHNICAL SPECIFICATIONS



SIZE A (MM)	N/A
SIZE B (MM)	N/A
SIZE C (MM)	N/A
SIZE D	N/A
BRAND	N/A
MANUFACTURER WARRANTY	N/A
MAXIMUM PRESSURE	N/A
MINIMUM PRESSURE	N/A
MAXIMUM TEMPERATURE (°C)	N/A
MINIMUM TEMPERATURE (°C)	N/A
THREAD PITCH (MM)	N/A
THREAD REACH (MM)	N/A
OPERATING TEMPERATURE (°C)	N/A

EXTERNAL MATERIAL	POLYMER
INTERNAL MATERIAL	POLYMER
STORAGE REQUIREMENTS	CLEAN & DRY
MSDS REQUIRED	N/A
BOX QUANTITY	EACH

SPECIAL INSTRUCTIONS	

APPROVALS		
	SUPERVISOR: STORES	HEAD: ASSETS & SUPPLY CHAIN

	HEAD: DEPARTMENT	APPROVALS

# STORES STOCK ITEM SPECIFICATION & TECHNICAL DATA SHEET



**BERGRIVIER  
MUNICIPALITY**



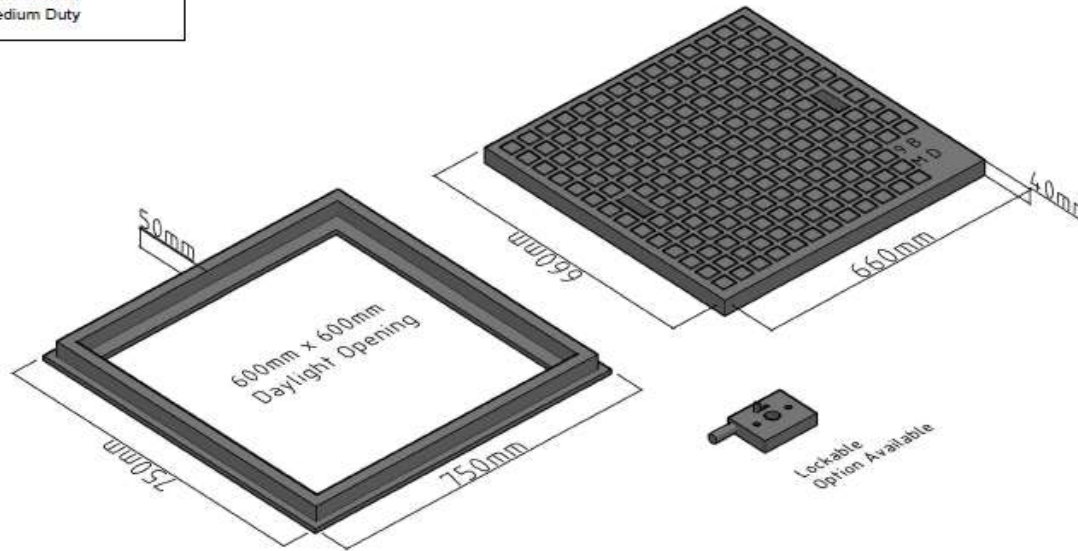
ITEM NUMBER	WTR-0008025
SHORT DESCRIPTION	POLYMER COMPOSITE MANHOLE - 9B
LONG DETAILED DESCRIPTION	POLYMER COMPOSITE MANHOLE - 9B

## TECHNICAL DRAWINGS

## TECHNICAL SPECIFICATIONS

**9 B**

Weight Cover: 37kg  
Weight Frame : 13kg  
Force : 40kN  
Medium Duty



SIZE A (MM)	N/A
SIZE B (MM)	N/A
SIZE C (MM)	N/A
SIZE D	N/A
BRAND	N/A
MANUFACTURER WARRANTY	N/A
MAXIMUM PRESSURE	N/A
MINIMUM PRESSURE	N/A
MAXIMUM TEMPERATURE (°C)	N/A
MINIMUM TEMPERATURE (°C)	N/A
THREAD PITCH (MM)	N/A
THREAD REACH (MM)	N/A
OPERATING TEMPERATURE (°C)	N/A

EXTERNAL MATERIAL	POLYMER
INTERNAL MATERIAL	POLYMER
STORAGE REQUIREMENTS	CLEAN & DRY
MSDS REQUIRED	N/A
BOX QUANTITY	EACH

SPECIAL INSTRUCTIONS	

APPROVALS		
	SUPERVISOR: STORES	HEAD: ASSETS & SUPPLY CHAIN

	APPROVALS
HEAD: DEPARTMENT	

# STORES STOCK ITEM SPECIFICATION & TECHNICAL DATA SHEET



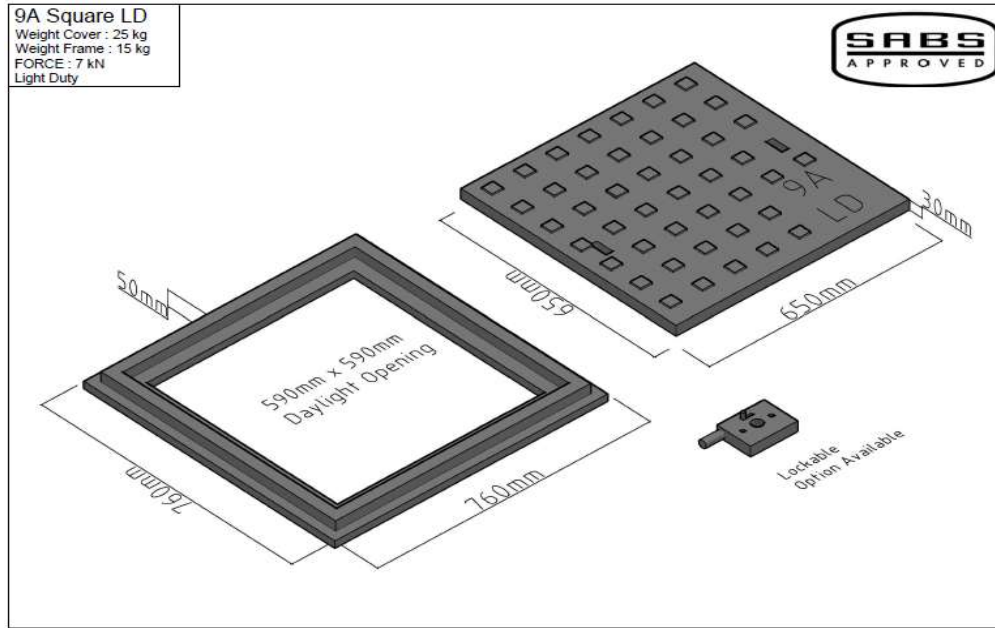
**BERGRIVIER  
MUNICIPALITY**



ITEM NUMBER	WTR-0008026
SHORT DESCRIPTION	POLYMER COMPOSITE MANHOLE - 9A SQUARE LD
LONG DETAILED DESCRIPTION	POLYMER COMPOSITE MANHOLE - 9A SQUARE LD

## TECHNICAL DRAWINGS

## TECHNICAL SPECIFICATIONS



SIZE A (MM)	N/A
SIZE B (MM)	N/A
SIZE C (MM)	N/A
SIZE D	N/A
BRAND	N/A
MANUFACTURER WARRANTY	N/A
MAXIMUM PRESSURE	N/A
MINIMUM PRESSURE	N/A
MAXIMUM TEMPERATURE (°C)	N/A
MINIMUM TEMPERATURE (°C)	N/A
THREAD PITCH (MM)	N/A
THREAD REACH (MM)	N/A
OPERATING TEMPERATURE (°C)	N/A

EXTERNAL MATERIAL	POLYMER
INTERNAL MATERIAL	POLYMER
STORAGE REQUIREMENTS	CLEAN & DRY
MSDS REQUIRED	N/A
BOX QUANTITY	EACH

SPECIAL INSTRUCTIONS

APPROVALS				APPROVALS
	SUPERVISOR: STORES	HEAD: ASSETS & SUPPLY CHAIN	HEAD: DEPARTMENT	

# STORES STOCK ITEM SPECIFICATION & TECHNICAL DATA SHEET

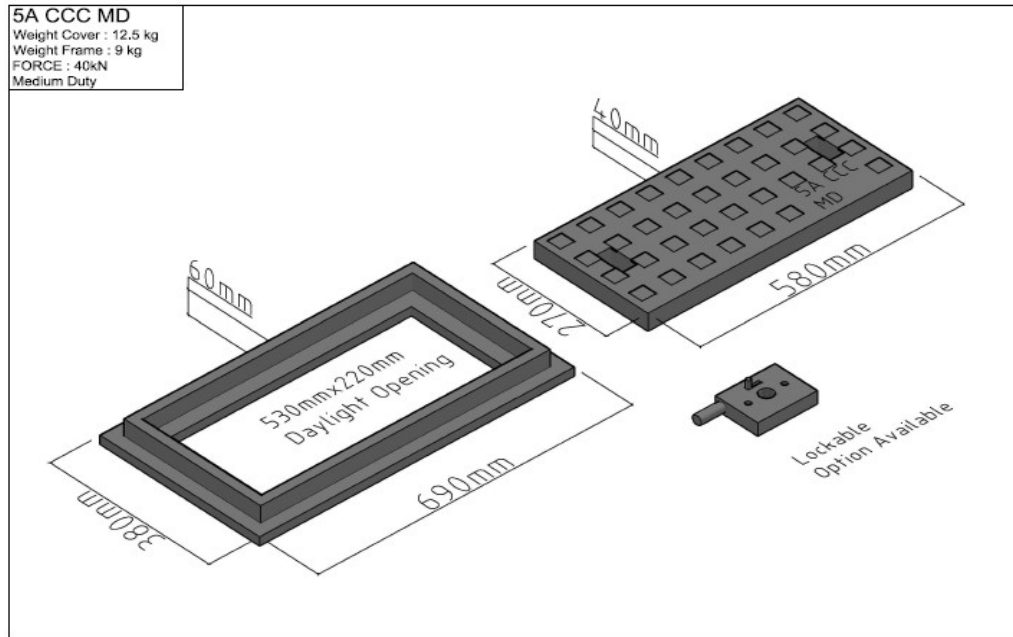


**BERGRIVIER  
MUNICIPALITY**



ITEM NUMBER	WTR-0008027
SHORT DESCRIPTION	POLYMER COMPOSITE MANHOLE - 5A CCC MD
LONG DETAILED DESCRIPTION	POLYMER COMPOSITE MANHOLE - 5A CCC MD

## TECHNICAL DRAWINGS



## TECHNICAL SPECIFICATIONS

SIZE A (MM)	N/A
SIZE B (MM)	N/A
SIZE C (MM)	N/A
SIZE D	N/A
BRAND	N/A
MANUFACTURER WARRANTY	N/A
MAXIMUM PRESSURE	N/A
MINIMUM PRESSURE	N/A
MAXIMUM TEMPERATURE (°C)	N/A
MINIMUM TEMPERATURE (°C)	N/A
THREAD PITCH (MM)	N/A
THREAD REACH (MM)	N/A
OPERATING TEMPERATURE (°C)	N/A

EXTERNAL MATERIAL	POLYMER
INTERNAL MATERIAL	POLYMER
STORAGE REQUIREMENTS	CLEAN & DRY
MSDS REQUIRED	N/A
BOX QUANTITY	EACH

## SPECIAL INSTRUCTIONS

APPROVALS				APPROVALS
	SUPERVISOR: STORES	HEAD: ASSETS & SUPPLY CHAIN	HEAD: DEPARTMENT	

# STORES STOCK ITEM SPECIFICATION & TECHNICAL DATA SHEET



**BERGRIVIER  
MUNICIPALITY**



ITEM NUMBER

WTR-0008028

SHORT  
DESCRIPTION

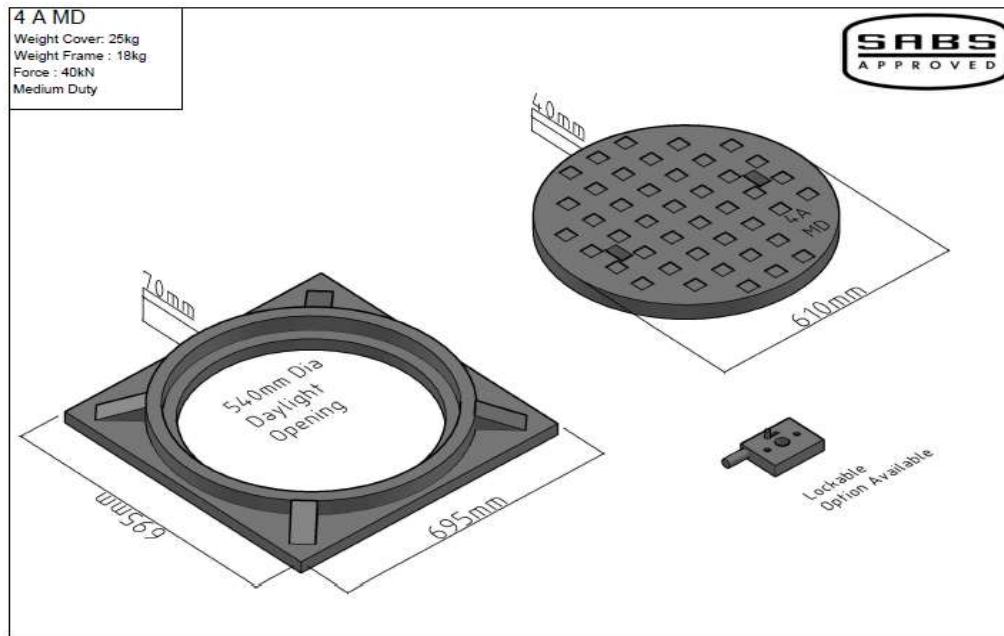
POLYMER COMPOSITE MANHOLE - 4A MD

LONG DETAILED  
DESCRIPTION

POLYMER COMPOSITE MANHOLE - 4A MD

## TECHNICAL DRAWINGS

## TECHNICAL SPECIFICATIONS



SIZE A (MM)	N/A
SIZE B (MM)	N/A
SIZE C (MM)	N/A
SIZE D	N/A
BRAND	N/A
MANUFACTURER WARRANTY	N/A
MAXIMUM PRESSURE	N/A
MINIMUM PRESSURE	N/A
MAXIMUM TEMPERATURE (°C)	N/A
MINIMUM TEMPERATURE (°C)	N/A
THREAD PITCH (MM)	N/A
THREAD REACH (MM)	N/A
OPERATING TEMPERATURE (°C)	N/A

EXTERNAL MATERIAL	POLYMER
INTERNAL MATERIAL	POLYMER
STORAGE REQUIREMENTS	CLEAN & DRY
MSDS REQUIRED	N/A
BOX QUANTITY	EACH

## SPECIAL INSTRUCTIONS

APPROVALS

SUPERVISOR: STORES

HEAD: ASSETS & SUPPLY CHAIN

HEAD: DEPARTMENT

APPROVALS



# STORES STOCK ITEM SPECIFICATION & TECHNICAL DATA SHEET



**BERGRIVIER  
MUNICIPALITY**



ITEM NUMBER

WTR-0008029

SHORT  
DESCRIPTION

POLYMER COMPOSITE MANHOLE - 3B BELLTOBIE

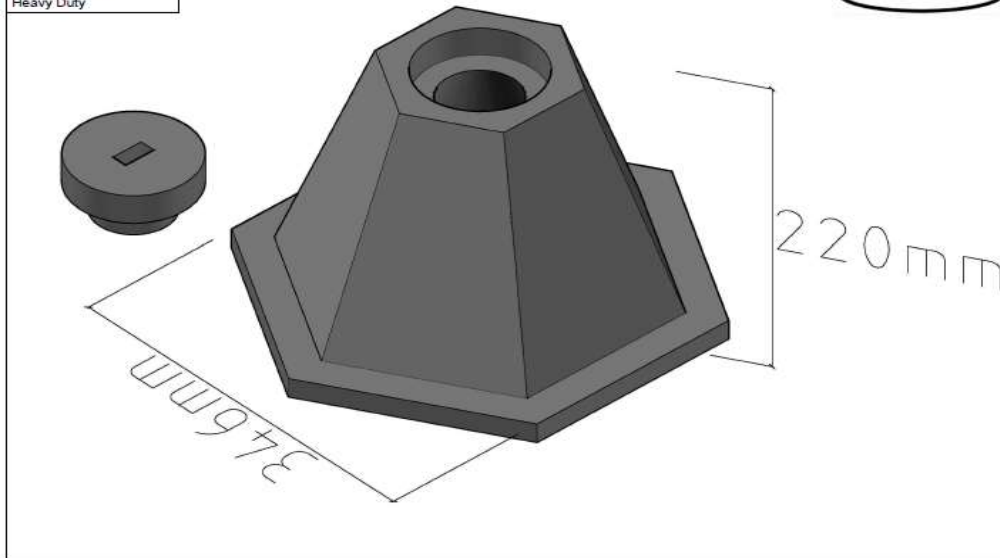
LONG DETAILED  
DESCRIPTION

POLYMER COMPOSITE MANHOLE - 3B BELLTOBIE

## TECHNICAL DRAWINGS

## TECHNICAL SPECIFICATIONS

3B Belltobie  
Weight Cover : 200 g  
Weight Frame : 11kg  
FORCE : 135 kN  
Heavy Duty



SIZE A (MM)	N/A
SIZE B (MM)	N/A
SIZE C (MM)	N/A
SIZE D	N/A
BRAND	N/A
MANUFACTURER WARRANTY	N/A
MAXIMUM PRESSURE	N/A
MINIMUM PRESSURE	N/A
MAXIMUM TEMPERATURE (°C)	N/A
MINIMUM TEMPERATURE (°C)	N/A
THREAD PITCH (MM)	N/A
THREAD REACH (MM)	N/A
OPERATING TEMPERATURE (°C)	N/A

EXTERNAL MATERIAL	POLYMER
INTERNAL MATERIAL	POLYMER
STORAGE REQUIREMENTS	CLEAN & DRY
MSDS REQUIRED	N/A
BOX QUANTITY	EACH

## SPECIAL INSTRUCTIONS

APPROVALS

SUPERVISOR: STORES

HEAD: ASSETS & SUPPLY CHAIN

HEAD: DEPARTMENT

APPROVALS

# STORES STOCK ITEM SPECIFICATION & TECHNICAL DATA SHEET



**BERGRIVIER  
MUNICIPALITY**



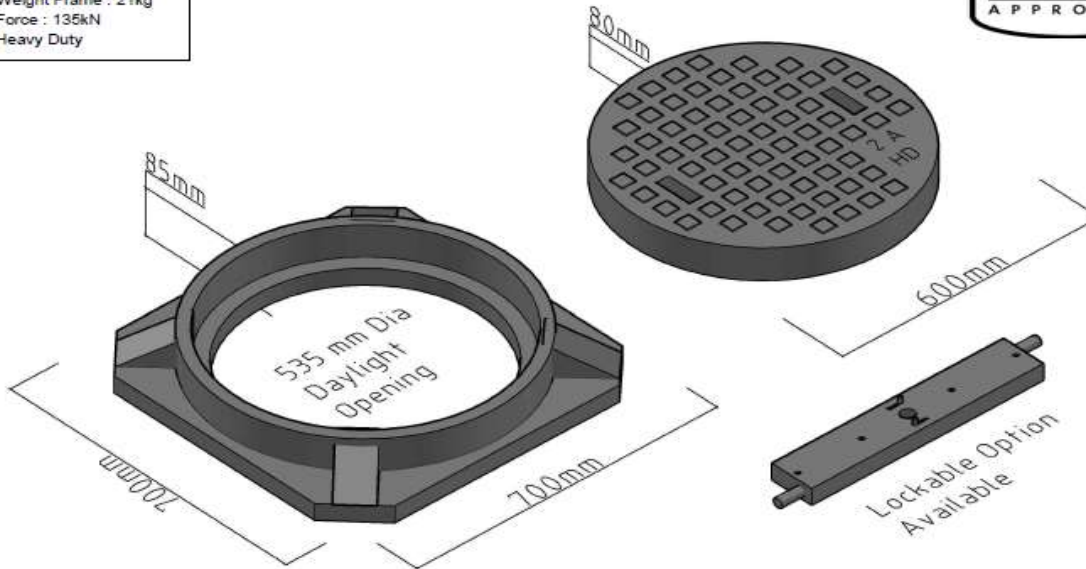
ITEM NUMBER	WTR-0008030
SHORT DESCRIPTION	POLYMER COMPOSITE MANHOLE - 2A HD
LONG DETAILED DESCRIPTION	POLYMER COMPOSITE MANHOLE - 2A HEAVY DUTY

## TECHNICAL DRAWINGS

## TECHNICAL SPECIFICATIONS

**2 A HD**

Weight Cover : 42kg  
Weight Frame : 21kg  
Force : 135kN  
Heavy Duty



SIZE A (MM)	N/A
SIZE B (MM)	N/A
SIZE C (MM)	N/A
SIZE D	N/A
BRAND	N/A
MANUFACTURER WARRANTY	N/A
MAXIMUM PRESSURE	N/A
MINIMUM PRESSURE	N/A
MAXIMUM TEMPERATURE (°C)	N/A
MINIMUM TEMPERATURE (°C)	N/A
THREAD PITCH (MM)	N/A
THREAD REACH (MM)	N/A
OPERATING TEMPERATURE (°C)	N/A

EXTERNAL MATERIAL	POLYMER
INTERNAL MATERIAL	POLYMER
STORAGE REQUIREMENTS	CLEAN & DRY
MSDS REQUIRED	N/A
BOX QUANTITY	EACH

SPECIAL INSTRUCTIONS	

APPROVALS		
	SUPERVISOR: STORES	HEAD: ASSETS & SUPPLY CHAIN

	APPROVALS
HEAD: DEPARTMENT	



# STORES STOCK ITEM SPECIFICATION & TECHNICAL DATA SHEET

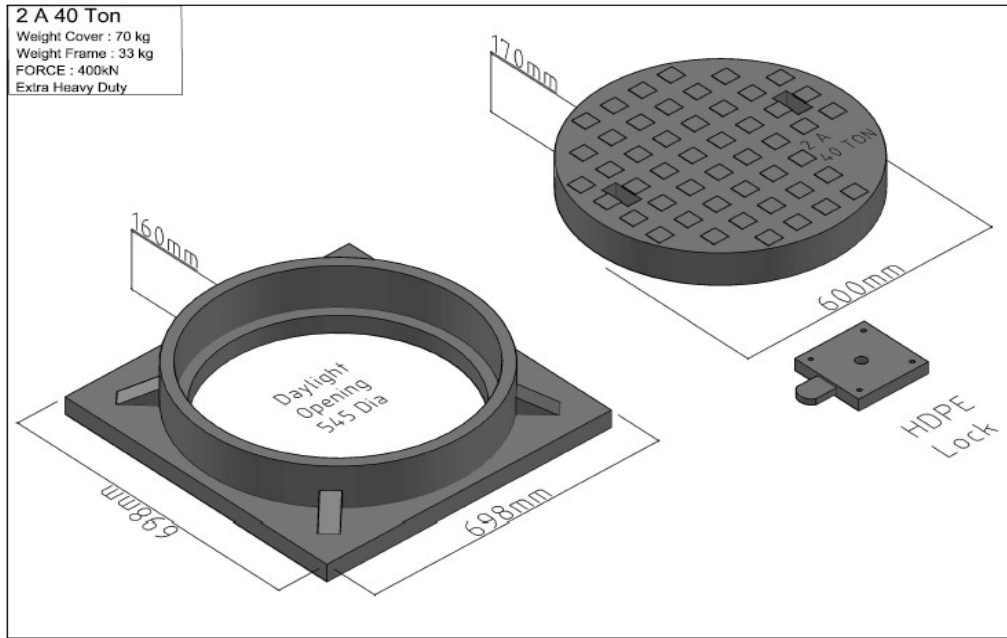


**BERGRIVIER  
MUNICIPALITY**



ITEM NUMBER	WTR-0008031
SHORT DESCRIPTION	POLYMER COMPOSITE MANHOLE - 2A 40TON
LONG DETAILED DESCRIPTION	POLYMER COMPOSITE MANHOLE - 2A 40TON

## TECHNICAL DRAWINGS



## TECHNICAL SPECIFICATIONS

SIZE A (MM)	N/A
SIZE B (MM)	N/A
SIZE C (MM)	N/A
SIZE D	N/A
BRAND	N/A
MANUFACTURER WARRANTY	N/A
MAXIMUM PRESSURE	N/A
MINIMUM PRESSURE	N/A
MAXIMUM TEMPERATURE (°C)	N/A
MINIMUM TEMPERATURE (°C)	N/A
THREAD PITCH (MM)	N/A
THREAD REACH (MM)	N/A
OPERATING TEMPERATURE (°C)	N/A

EXTERNAL MATERIAL	POLYMER
INTERNAL MATERIAL	POLYMER
STORAGE REQUIREMENTS	CLEAN & DRY
MSDS REQUIRED	N/A
BOX QUANTITY	EACH

SPECIAL INSTRUCTIONS	

APPROVALS		
	SUPERVISOR: STORES	HEAD: ASSETS & SUPPLY CHAIN

	APPROVALS
HEAD: DEPARTMENT	

# STORES STOCK ITEM SPECIFICATION & TECHNICAL DATA SHEET

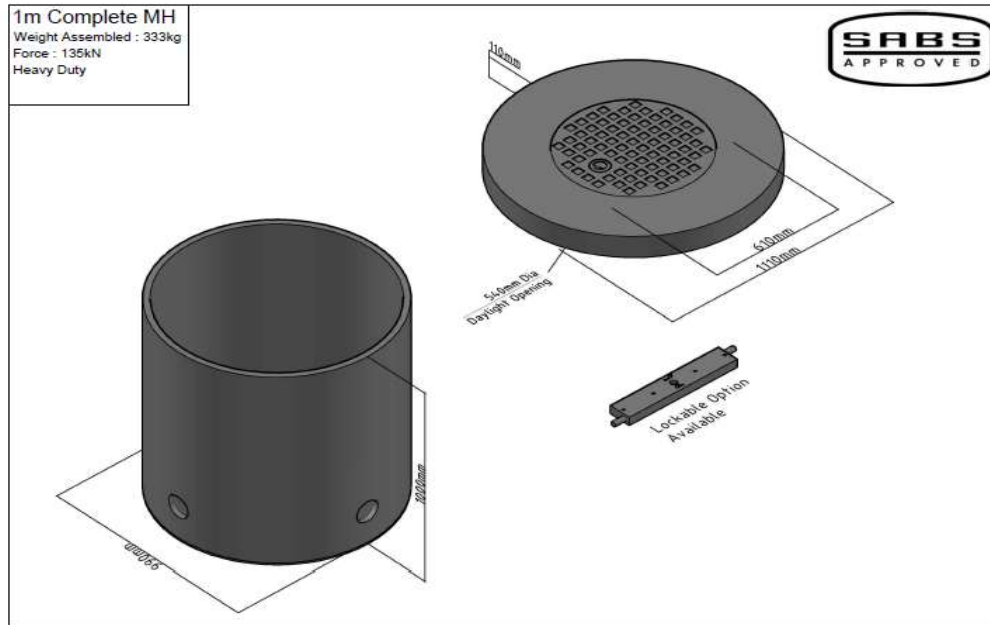


**BERGRIVIER  
MUNICIPALITY**



ITEM NUMBER	WTR-0008032
SHORT DESCRIPTION	POLYMER COMPOSITE MANHOLE - 1M COMPLETE MH
LONG DETAILED DESCRIPTION	POLYMER COMPOSITE MANHOLE - 1M COMPLETE MH

## TECHNICAL DRAWINGS



## TECHNICAL SPECIFICATIONS

SIZE A (MM)	N/A
SIZE B (MM)	N/A
SIZE C (MM)	N/A
SIZE D	N/A
BRAND	N/A
MANUFACTURER WARRANTY	N/A
MAXIMUM PRESSURE	N/A
MINIMUM PRESSURE	N/A
MAXIMUM TEMPERATURE (°C)	N/A
MINIMUM TEMPERATURE (°C)	N/A
THREAD PITCH (MM)	N/A
THREAD REACH (MM)	N/A
OPERATING TEMPERATURE (°C)	N/A

EXTERNAL MATERIAL	POLYMER
INTERNAL MATERIAL	POLYMER
STORAGE REQUIREMENTS	CLEAN & DRY
MSDS REQUIRED	N/A
BOX QUANTITY	EACH

SPECIAL INSTRUCTIONS	

APPROVALS		
	SUPERVISOR: STORES	HEAD: ASSETS & SUPPLY CHAIN

	APPROVALS
HEAD: DEPARTMENT	