

STORES STOCK ITEM SPECIFICATION & TECHNICAL DATA SHEET



**BERGRIVIER
MUNICIPALITY**



ITEM NUMBER

WTR-0001001

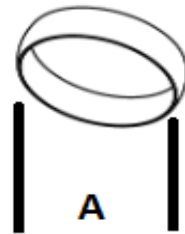
SHORT
DESCRIPTION

COMP RING/FERRULES - 15MM

LONG DETAILED
DESCRIPTION

COMPRESSION RING/FERRULE/OLIVE BRASS 15MM INTERNAL DIAMETER

TECHNICAL DRAWINGS



TECHNICAL SPECIFICATIONS

SIZE A (MM)	15
SIZE B (MM)	N/A
SIZE C (MM)	N/A
SIZE D	N/A
BRAND	COBRA or Similar
MANUFACTURER WARRANTY	N/A
MAXIMUM PRESSURE	16 BAR
MINIMUM PRESSURE	0.5 BAR
MAXIMUM TEMPERATURE (°C)	85°C
MINIMUM TEMPERATURE (°C)	-10°C
THREAD PITCH (MM)	N/A
THREAD REACH (MM)	N/A
OPERATING TEMPERATURE (°C)	-10>85

EXTERNAL MATERIAL	BRASS
INTERNAL MATERIAL	BRASS
STORAGE REQUIREMENTS	CLEAN & DRY
MSDS REQUIRED	N/A
BOX QUANTITY	EACHES

SPECIAL INSTRUCTIONS	

APPROVALS		
	SUPERVISOR: STORES	HEAD: ASSETS & SUPPLY CHAIN

	APPROVALS
HEAD: DEPARTMENT	

STORES STOCK ITEM SPECIFICATION & TECHNICAL DATA SHEET



**BERGRIVIER
MUNICIPALITY**



ITEM NUMBER

WTR-0001002

SHORT
DESCRIPTION

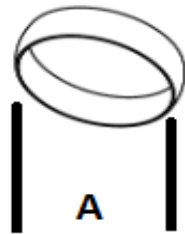
COMP RING/FERRULES - 22MM

LONG DETAILED
DESCRIPTION

COMPRESSION RING/FERRULE/OLIVE BRASS 22MM INTERNAL DIAMETER

TECHNICAL DRAWINGS

TECHNICAL SPECIFICATIONS



SIZE A (MM)	22
SIZE B (MM)	N/A
SIZE C (MM)	N/A
SIZE D	N/A
BRAND	COBRA or Similar
MANUFACTURER WARRANTY	N/A
MAXIMUM PRESSURE	16 BAR
MINIMUM PRESSURE	0.5 BAR
MAXIMUM TEMPERATURE (°C)	85°C
MINIMUM TEMPERATURE (°C)	-10°C
THREAD PITCH (MM)	N/A
THREAD REACH (MM)	N/A
OPERATING TEMPERATURE (°C)	-10>85

EXTERNAL MATERIAL	BRASS
INTERNAL MATERIAL	BRASS
STORAGE REQUIREMENTS	CLEAN & DRY
MSDS REQUIRED	N/A
BOX QUANTITY	EACHES

SPECIAL INSTRUCTIONS

APPROVALS

APPROVALS

SUPERVISOR: STORES

HEAD: ASSETS & SUPPLY CHAIN

HEAD: DEPARTMENT

STORES STOCK ITEM SPECIFICATION & TECHNICAL DATA SHEET



**BERGRIVIER
MUNICIPALITY**



ITEM NUMBER

WTR-0001003

SHORT
DESCRIPTION

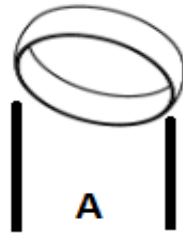
COMP RING/FERRULES - 28MM

LONG DETAILED
DESCRIPTION

COMPRESSION RING/FERRULE/OLIVE BRASS 28MM INTERNAL DIAMETER

TECHNICAL DRAWINGS

TECHNICAL SPECIFICATIONS



SIZE A (MM)	28
SIZE B (MM)	N/A
SIZE C (MM)	N/A
SIZE D	N/A
BRAND	COBRA or Similar
MANUFACTURER WARRANTY	N/A
MAXIMUM PRESSURE	16 BAR
MINIMUM PRESSURE	0.5 BAR
MAXIMUM TEMPERATURE (°C)	85°C
MINIMUM TEMPERATURE (°C)	-10°C
THREAD PITCH (MM)	N/A
THREAD REACH (MM)	N/A
OPERATING TEMPERATURE (°C)	-10>85

EXTERNAL MATERIAL	BRASS
INTERNAL MATERIAL	BRASS
STORAGE REQUIREMENTS	CLEAN & DRY
MSDS REQUIRED	N/A
BOX QUANTITY	EACHES

SPECIAL INSTRUCTIONS

APPROVALS

APPROVALS

SUPERVISOR: STORES

HEAD: ASSETS & SUPPLY CHAIN

HEAD: DEPARTMENT

STORES STOCK ITEM SPECIFICATION & TECHNICAL DATA SHEET



**BERGRIVIER
MUNICIPALITY**



ITEM NUMBER

WTR-0001004

SHORT
DESCRIPTION

COMP CPR STR C X C - 15MM

LONG DETAILED
DESCRIPTION

COMPRESSION COUPLER STRAIGHT COPPER TO COPPER 15MM

TECHNICAL DRAWINGS



TECHNICAL SPECIFICATIONS

SIZE A (MM)	15
SIZE B (MM)	15
SIZE C (MM)	N/A
SIZE D	N/A
BRAND	COBRA or Similar
MANUFACTURER WARRANTY	N/A
MAXIMUM PRESSURE	16 BAR
MINIMUM PRESSURE	0.5 BAR
MAXIMUM TEMPERATURE (°C)	85°C
MINIMUM TEMPERATURE (°C)	-10°C
THREAD PITCH (MM)	N/A
THREAD REACH (MM)	N/A
OPERATING TEMPERATURE (°C)	-10>85

EXTERNAL MATERIAL	BRASS
INTERNAL MATERIAL	BRASS
STORAGE REQUIREMENTS	CLEAN & DRY
MSDS REQUIRED	N/A
BOX QUANTITY	EACHES

SPECIAL INSTRUCTIONS

APPROVALS

APPROVALS

SUPERVISOR: STORES

HEAD: ASSETS & SUPPLY CHAIN

HEAD: DEPARTMENT

STORES STOCK ITEM SPECIFICATION & TECHNICAL DATA SHEET



**BERGRIVIER
MUNICIPALITY**



ITEM NUMBER

WTR-0001005

SHORT
DESCRIPTION

COMP CPR STR C X C - 22MM

LONG DETAILED
DESCRIPTION

COMPRESSION COUPLER STRAIGHT COPPER TO COPPER 22MM

TECHNICAL DRAWINGS



TECHNICAL SPECIFICATIONS

SIZE A (MM)	22
SIZE B (MM)	22
SIZE C (MM)	N/A
SIZE D	N/A
BRAND	COBRA or Similar
MANUFACTURER WARRANTY	N/A
MAXIMUM PRESSURE	16 BAR
MINIMUM PRESSURE	0.5 BAR
MAXIMUM TEMPERATURE (°C)	85°C
MINIMUM TEMPERATURE (°C)	-10°C
THREAD PITCH (MM)	N/A
THREAD REACH (MM)	N/A
OPERATING TEMPERATURE (°C)	-10>85

EXTERNAL MATERIAL	BRASS
INTERNAL MATERIAL	BRASS
STORAGE REQUIREMENTS	CLEAN & DRY
MSDS REQUIRED	N/A
BOX QUANTITY	EACHES

SPECIAL INSTRUCTIONS

APPROVALS

SUPERVISOR: STORES

HEAD: ASSETS & SUPPLY CHAIN

HEAD: DEPARTMENT

APPROVALS

STORES STOCK ITEM SPECIFICATION & TECHNICAL DATA SHEET



**BERGRIVIER
MUNICIPALITY**



ITEM NUMBER

WTR-0001006

SHORT
DESCRIPTION

COMP CPR STR C X C - 28MM

LONG DETAILED
DESCRIPTION

COMPRESSION COUPLER STRAIGHT COPPER TO COPPER 28MM

TECHNICAL DRAWINGS



TECHNICAL SPECIFICATIONS

SIZE A (MM)	28
SIZE B (MM)	28
SIZE C (MM)	N/A
SIZE D	N/A
BRAND	COBRA or Similar
MANUFACTURER WARRANTY	N/A
MAXIMUM PRESSURE	16 BAR
MINIMUM PRESSURE	0.5 BAR
MAXIMUM TEMPERATURE (°C)	85°C
MINIMUM TEMPERATURE (°C)	-10°C
THREAD PITCH (MM)	N/A
THREAD REACH (MM)	N/A
OPERATING TEMPERATURE (°C)	-10>85

EXTERNAL MATERIAL	BRASS
INTERNAL MATERIAL	BRASS
STORAGE REQUIREMENTS	CLEAN & DRY
MSDS REQUIRED	N/A
BOX QUANTITY	EACHES

SPECIAL INSTRUCTIONS

APPROVALS

SUPERVISOR: STORES

HEAD: ASSETS & SUPPLY CHAIN

HEAD: DEPARTMENT

APPROVALS

STORES STOCK ITEM SPECIFICATION & TECHNICAL DATA SHEET

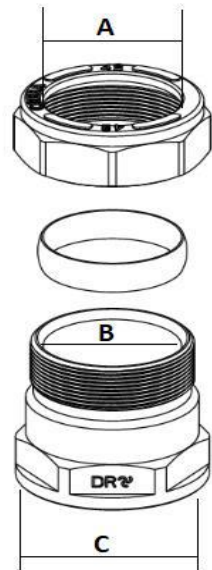


**BERGRIVIER
MUNICIPALITY**



ITEM NUMBER	WTR-0001007
SHORT DESCRIPTION	COMP ADT STR C X FI - 15MM
LONG DETAILED DESCRIPTION	COMPRESSION COUPLER STRAIGHT COPPER X FEMALE IRON 15MM

TECHNICAL DRAWINGS



TECHNICAL SPECIFICATIONS

SIZE A (MM)	15
SIZE B (MM)	15
SIZE C (MM)	N/A
SIZE D	N/A
BRAND	COBRA or Similar
MANUFACTURER WARRANTY	N/A
MAXIMUM PRESSURE	16 BAR
MINIMUM PRESSURE	0.5 BAR
MAXIMUM TEMPERATURE (°C)	85°C
MINIMUM TEMPERATURE (°C)	-10°C
THREAD PITCH (MM)	N/A
THREAD REACH (MM)	N/A
OPERATING TEMPERATURE (°C)	-10>85

EXTERNAL MATERIAL	BRASS
INTERNAL MATERIAL	BRASS
STORAGE REQUIREMENTS	CLEAN & DRY
MSDS REQUIRED	N/A
BOX QUANTITY	EACHES

SPECIAL INSTRUCTIONS

APPROVALS

SUPERVISOR: STORES	HEAD: ASSETS & SUPPLY CHAIN	HEAD: DEPARTMENT

APPROVALS

STORES STOCK ITEM SPECIFICATION & TECHNICAL DATA SHEET

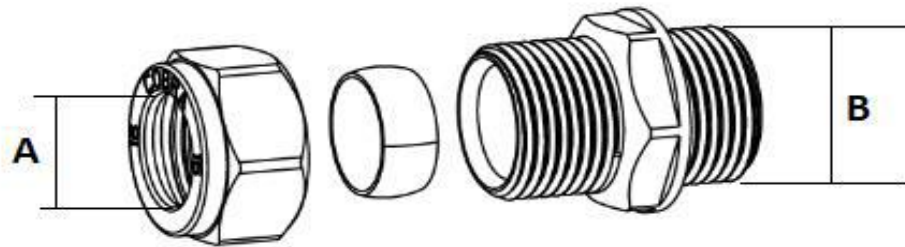


**BERGRIVIER
MUNICIPALITY**



ITEM NUMBER	WTR-0001008
SHORT DESCRIPTION	COMP ADT STR C X MI - 15MM
LONG DETAILED DESCRIPTION	COMPRESSION COUPLER STRAIGHT COPPER X MALE IRON 15MM

TECHNICAL DRAWINGS



TECHNICAL SPECIFICATIONS

SIZE A (MM)	15
SIZE B (MM)	15
SIZE C (MM)	N/A
SIZE D	N/A
BRAND	COBRA or Similar
MANUFACTURER WARRANTY	N/A
MAXIMUM PRESSURE	16 BAR
MINIMUM PRESSURE	0.5 BAR
MAXIMUM TEMPERATURE (°C)	85°C
MINIMUM TEMPERATURE (°C)	-10°C
THREAD PITCH (MM)	N/A
THREAD REACH (MM)	N/A
OPERATING TEMPERATURE (°C)	-10>85

EXTERNAL MATERIAL	BRASS
INTERNAL MATERIAL	BRASS
STORAGE REQUIREMENTS	CLEAN & DRY
MSDS REQUIRED	N/A
BOX QUANTITY	EACHES

SPECIAL INSTRUCTIONS

APPROVALS

APPROVALS

SUPERVISOR: STORES

HEAD: ASSETS & SUPPLY CHAIN

HEAD: DEPARTMENT

STORES STOCK ITEM SPECIFICATION & TECHNICAL DATA SHEET

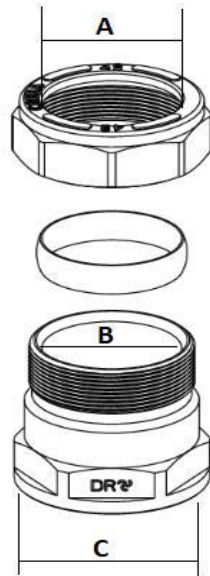


**BERGRIVIER
MUNICIPALITY**



ITEM NUMBER	WTR-0001009
SHORT DESCRIPTION	COMP ADT STR C X FI - 22MM
LONG DETAILED DESCRIPTION	COMPRESSION COUPLER STRAIGHT COPPER X FEMALE IRON 22MM

TECHNICAL DRAWINGS



TECHNICAL SPECIFICATIONS

SIZE A (MM)	22
SIZE B (MM)	22
SIZE C (MM)	N/A
SIZE D	N/A
BRAND	COBRA or Similar
MANUFACTURER WARRANTY	N/A
MAXIMUM PRESSURE	16 BAR
MINIMUM PRESSURE	0.5 BAR
MAXIMUM TEMPERATURE (°C)	85°C
MINIMUM TEMPERATURE (°C)	-10°C
THREAD PITCH (MM)	N/A
THREAD REACH (MM)	N/A
OPERATING TEMPERATURE (°C)	-10>85

EXTERNAL MATERIAL	BRASS
INTERNAL MATERIAL	BRASS
STORAGE REQUIREMENTS	CLEAN & DRY
MSDS REQUIRED	N/A
BOX QUANTITY	EACHES

SPECIAL INSTRUCTIONS

APPROVALS

APPROVALS

SUPERVISOR: STORES

HEAD: ASSETS & SUPPLY CHAIN

HEAD: DEPARTMENT

STORES STOCK ITEM SPECIFICATION & TECHNICAL DATA SHEET

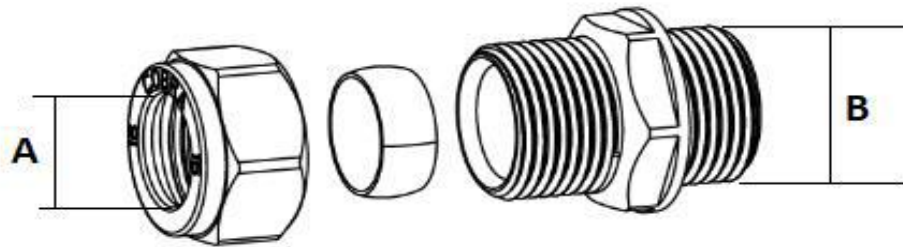


**BERGRIVIER
MUNICIPALITY**



ITEM NUMBER	WTR-0001010
SHORT DESCRIPTION	COMP ADT STR C X MI - 22MM
LONG DETAILED DESCRIPTION	COMPRESSION COUPLER STRAIGHT COPPER X MALE IRON 22MM

TECHNICAL DRAWINGS



TECHNICAL SPECIFICATIONS

SIZE A (MM)	22
SIZE B (MM)	22
SIZE C (MM)	N/A
SIZE D	N/A
BRAND	COBRA or Similar
MANUFACTURER WARRANTY	N/A
MAXIMUM PRESSURE	16 BAR
MINIMUM PRESSURE	0.5 BAR
MAXIMUM TEMPERATURE (°C)	85°C
MINIMUM TEMPERATURE (°C)	-10°C
THREAD PITCH (MM)	N/A
THREAD REACH (MM)	N/A
OPERATING TEMPERATURE (°C)	-10>85

EXTERNAL MATERIAL	BRASS
INTERNAL MATERIAL	BRASS
STORAGE REQUIREMENTS	CLEAN & DRY
MSDS REQUIRED	N/A
BOX QUANTITY	EACHES

SPECIAL INSTRUCTIONS

APPROVALS

APPROVALS

SUPERVISOR: STORES

HEAD: ASSETS & SUPPLY CHAIN

HEAD: DEPARTMENT

STORES STOCK ITEM SPECIFICATION & TECHNICAL DATA SHEET



**BERGRIVIER
MUNICIPALITY**



ITEM NUMBER

WTR-0001011

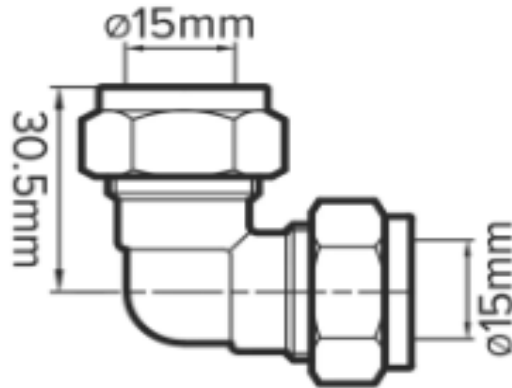
SHORT
DESCRIPTION

COMP CPR ELBOW C X C - 15MM

LONG DETAILED
DESCRIPTION

COMPRESSION COUPLER ELBOW COPPER TO COPPER - 15MM

TECHNICAL DRAWINGS



TECHNICAL SPECIFICATIONS

SIZE A (MM)	15MM
SIZE B (MM)	15MM
SIZE C (MM)	30.5MM
SIZE D	N/A
BRAND	COBRA or Similar
MANUFACTURER WARRANTY	N/A
MAXIMUM PRESSURE	16 BAR
MINIMUM PRESSURE	0.5 BAR
MAXIMUM TEMPERATURE (°C)	85°C
MINIMUM TEMPERATURE (°C)	-10°C
THREAD PITCH (MM)	N/A
THREAD REACH (MM)	N/A
OPERATING TEMPERATURE (°C)	-10>85

EXTERNAL MATERIAL	BRASS
INTERNAL MATERIAL	BRASS
STORAGE REQUIREMENTS	CLEAN & DRY
MSDS REQUIRED	N/A
BOX QUANTITY	EACHES

SPECIAL INSTRUCTIONS

APPROVALS

SUPERVISOR: STORES

HEAD: ASSETS & SUPPLY CHAIN

HEAD: DEPARTMENT

APPROVALS

STORES STOCK ITEM SPECIFICATION & TECHNICAL DATA SHEET

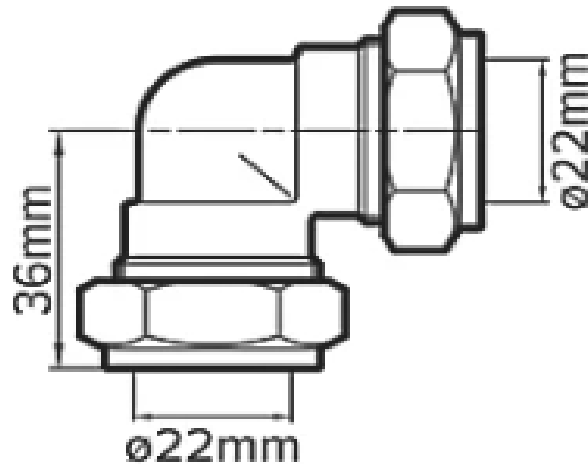


**BERGRIVIER
MUNICIPALITY**



ITEM NUMBER	WTR-0001012
SHORT DESCRIPTION	COMP CPR ELBOW C X C - 22MM
LONG DETAILED DESCRIPTION	COMPRESSION COUPLER ELBOW COPPER TO COPPER - 22MM

TECHNICAL DRAWINGS



TECHNICAL SPECIFICATIONS

SIZE A (MM)	22MM
SIZE B (MM)	22MM
SIZE C (MM)	36MM
SIZE D	N/A
BRAND	COBRA or Similar
MANUFACTURER WARRANTY	N/A
MAXIMUM PRESSURE	16 BAR
MINIMUM PRESSURE	0.5 BAR
MAXIMUM TEMPERATURE (°C)	85°C
MINIMUM TEMPERATURE (°C)	-10°C
THREAD PITCH (MM)	N/A
THREAD REACH (MM)	N/A
OPERATING TEMPERATURE (°C)	-10>85

EXTERNAL MATERIAL	BRASS
INTERNAL MATERIAL	BRASS
STORAGE REQUIREMENTS	CLEAN & DRY
MSDS REQUIRED	N/A
BOX QUANTITY	EACHES

SPECIAL INSTRUCTIONS

APPROVALS

--	--	--

APPROVALS

SUPERVISOR: STORES

HEAD: ASSETS & SUPPLY CHAIN

HEAD: DEPARTMENT

STORES STOCK ITEM SPECIFICATION & TECHNICAL DATA SHEET

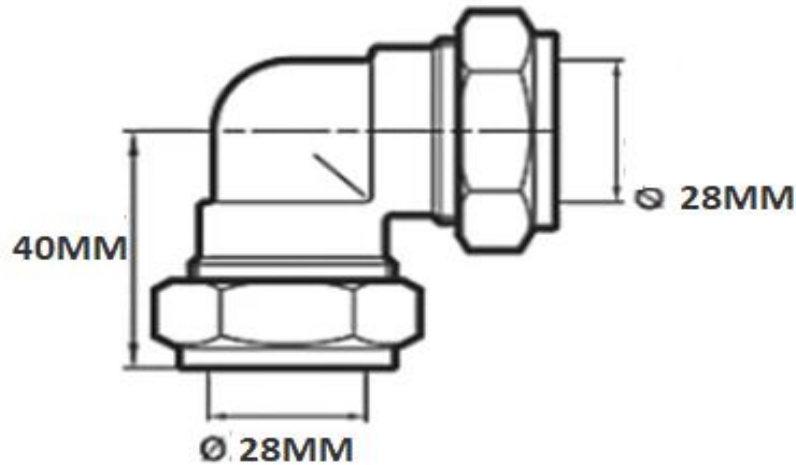


**BERGRIVIER
MUNICIPALITY**



ITEM NUMBER	WTR-0001013
SHORT DESCRIPTION	COMP CPR ELBOW C X C - 28MM
LONG DETAILED DESCRIPTION	COMPRESSION COUPLER ELBOW COPPER TO COPPER - 28MM

TECHNICAL DRAWINGS



TECHNICAL SPECIFICATIONS

SIZE A (MM)	28MM
SIZE B (MM)	28MM
SIZE C (MM)	40MM
SIZE D	N/A
BRAND	N/A
MANUFACTURER WARRANTY	COBRA or Similar
MAXIMUM PRESSURE	16 BAR
MINIMUM PRESSURE	0.5 BAR
MAXIMUM TEMPERATURE (°C)	85°C
MINIMUM TEMPERATURE (°C)	-10°C
THREAD PITCH (MM)	N/A
THREAD REACH (MM)	N/A
OPERATING TEMPERATURE (°C)	-10>85

EXTERNAL MATERIAL	BRASS
INTERNAL MATERIAL	BRASS
STORAGE REQUIREMENTS	CLEAN & DRY
MSDS REQUIRED	N/A
BOX QUANTITY	EACHES

SPECIAL INSTRUCTIONS

APPROVALS

APPROVALS

SUPERVISOR: STORES

HEAD: ASSETS & SUPPLY CHAIN

HEAD: DEPARTMENT

STORES STOCK ITEM SPECIFICATION & TECHNICAL DATA SHEET



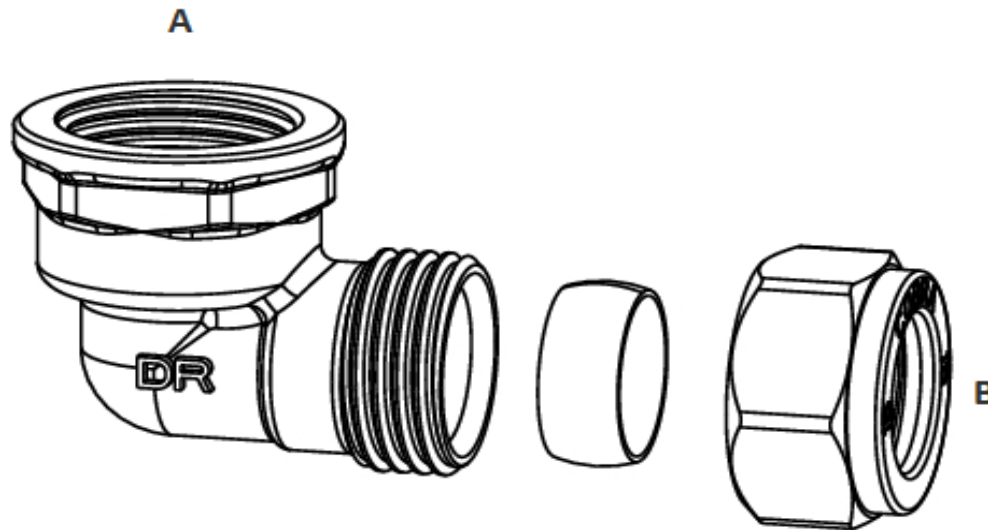
**BERGRIVIER
MUNICIPALITY**



ITEM NUMBER	WTR-0001014
SHORT DESCRIPTION	COMP ADT ELBOW C X FI - 15MM
LONG DETAILED DESCRIPTION	COMPRESSION ADAPTOR ELBOW COPPER TO FEMALE IRON - 15MM

TECHNICAL DRAWINGS

TECHNICAL SPECIFICATIONS



SIZE A (MM)	15MM
SIZE B (MM)	1/2"
SIZE C (MM)	N/A
SIZE D	N/A
BRAND	COBRA or Similar
MANUFACTURER WARRANTY	N/A
MAXIMUM PRESSURE	16 BAR
MINIMUM PRESSURE	0.5 BAR
MAXIMUM TEMPERATURE (°C)	85°C
MINIMUM TEMPERATURE (°C)	-10°C
THREAD PITCH (MM)	N/A
THREAD REACH (MM)	N/A
OPERATING TEMPERATURE (°C)	-10>85

EXTERNAL MATERIAL	BRASS
INTERNAL MATERIAL	BRASS
STORAGE REQUIREMENTS	CLEAN & DRY
MSDS REQUIRED	N/A
BOX QUANTITY	EACHES

SPECIAL INSTRUCTIONS	

APPROVALS				APPROVALS
	SUPERVISOR: STORES	HEAD: ASSETS & SUPPLY CHAIN	HEAD: DEPARTMENT	

STORES STOCK ITEM SPECIFICATION & TECHNICAL DATA SHEET



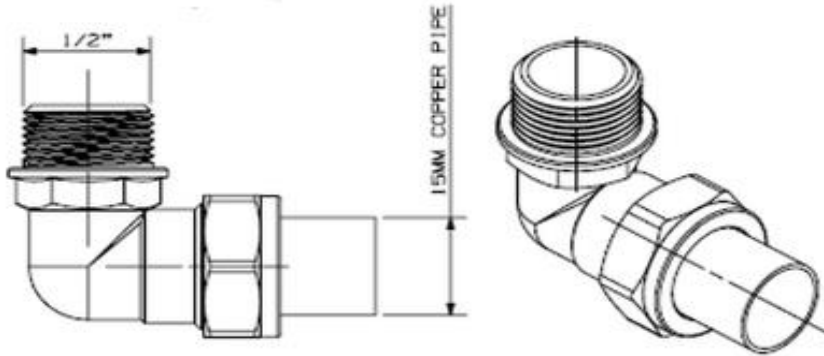
**BERGRIVIER
MUNICIPALITY**



ITEM NUMBER	WTR-0001015
SHORT DESCRIPTION	COMP ADT ELBOW C X MI - 15MM
LONG DETAILED DESCRIPTION	COMPRESSION ADAPTOR ELBOW COPPER TO MALE IRON - 15MM

TECHNICAL DRAWINGS

TECHNICAL SPECIFICATIONS



SIZE A (MM)	1/2"
SIZE B (MM)	15MM
SIZE C (MM)	N/A
SIZE D	N/A
BRAND	COBRA or Similar
MANUFACTURER WARRANTY	N/A
MAXIMUM PRESSURE	16 BAR
MINIMUM PRESSURE	0.5 BAR
MAXIMUM TEMPERATURE (°C)	85°C
MINIMUM TEMPERATURE (°C)	-10°C
THREAD PITCH (MM)	N/A
THREAD REACH (MM)	N/A
OPERATING TEMPERATURE (°C)	-10>85

EXTERNAL MATERIAL	BRASS
INTERNAL MATERIAL	BRASS
STORAGE REQUIREMENTS	CLEAN & DRY
MSDS REQUIRED	N/A
BOX QUANTITY	EACHES

SPECIAL INSTRUCTIONS

APPROVALS				APPROVALS
	SUPERVISOR: STORES	HEAD: ASSETS & SUPPLY CHAIN	HEAD: DEPARTMENT	

STORES STOCK ITEM SPECIFICATION & TECHNICAL DATA SHEET

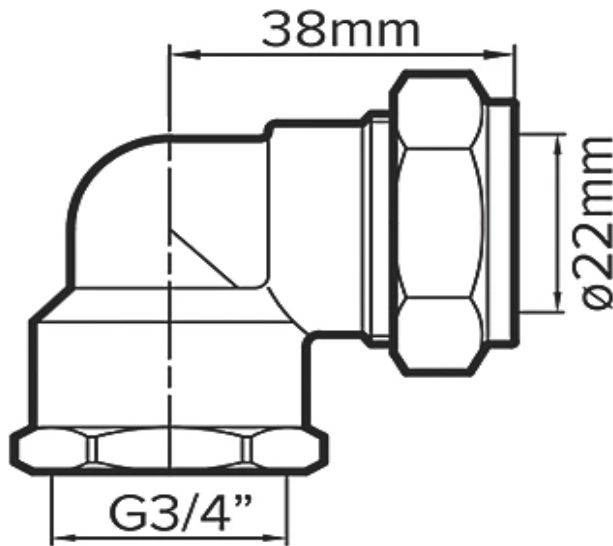


**BERGRIVIER
MUNICIPALITY**



ITEM NUMBER	WTR-0001016
SHORT DESCRIPTION	COMP ADT ELBOW C X FI - 22MM
LONG DETAILED DESCRIPTION	COMPRESSION ADAPTOR ELBOW COPPER TO FEMALE IRON - 22MM

TECHNICAL DRAWINGS



TECHNICAL SPECIFICATIONS

SIZE A (MM)	22MM
SIZE B (MM)	3/4"
SIZE C (MM)	38MM
SIZE D	N/A
BRAND	COBRA or Similar
MANUFACTURER WARRANTY	N/A
MAXIMUM PRESSURE	16 BAR
MINIMUM PRESSURE	0.5 BAR
MAXIMUM TEMPERATURE (°C)	85°C
MINIMUM TEMPERATURE (°C)	-10°C
THREAD PITCH (MM)	N/A
THREAD REACH (MM)	N/A
OPERATING TEMPERATURE (°C)	-10>85

EXTERNAL MATERIAL	BRASS
INTERNAL MATERIAL	BRASS
STORAGE REQUIREMENTS	CLEAN & DRY
MSDS REQUIRED	N/A
BOX QUANTITY	EACHES

SPECIAL INSTRUCTIONS

APPROVALS

APPROVALS

SUPERVISOR: STORES

HEAD: ASSETS & SUPPLY CHAIN

HEAD: DEPARTMENT

STORES STOCK ITEM SPECIFICATION & TECHNICAL DATA SHEET



**BERGRIVIER
MUNICIPALITY**



ITEM NUMBER

WTR-0001017

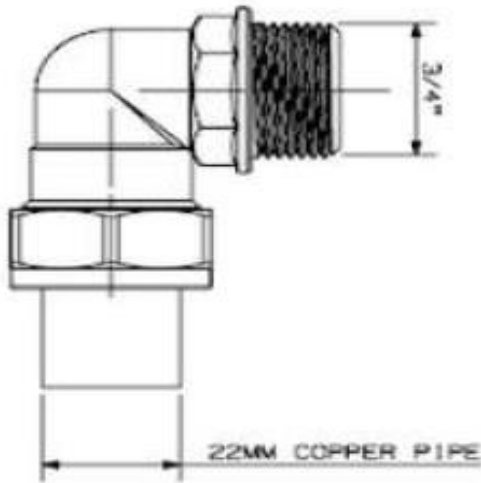
SHORT
DESCRIPTION

COMP ADT ELBOW C X MI - 22 MM

LONG DETAILED
DESCRIPTION

COMPRESSION ADAPTOR ELBOW COPPER TO MALE IRON - 22MM

TECHNICAL DRAWINGS



TECHNICAL SPECIFICATIONS

SIZE A (MM)	22MM
SIZE B (MM)	3/4"
SIZE C (MM)	N/A
SIZE D	N/A
BRAND	COBRA or Similar
MANUFACTURER WARRANTY	N/A
MAXIMUM PRESSURE	16 BAR
MINIMUM PRESSURE	0.5 BAR
MAXIMUM TEMPERATURE (°C)	85°C
MINIMUM TEMPERATURE (°C)	-10°C
THREAD PITCH (MM)	N/A
THREAD REACH (MM)	N/A
OPERATING TEMPERATURE (°C)	-10>85

EXTERNAL MATERIAL	BRASS
INTERNAL MATERIAL	BRASS
STORAGE REQUIREMENTS	CLEAN & DRY
MSDS REQUIRED	N/A
BOX QUANTITY	EACHES

SPECIAL INSTRUCTIONS

APPROVALS

SUPERVISOR: STORES

HEAD: ASSETS & SUPPLY CHAIN

HEAD: DEPARTMENT

APPROVALS

STORES STOCK ITEM SPECIFICATION & TECHNICAL DATA SHEET



**BERGRIVIER
MUNICIPALITY**



ITEM NUMBER

WTR-0001018

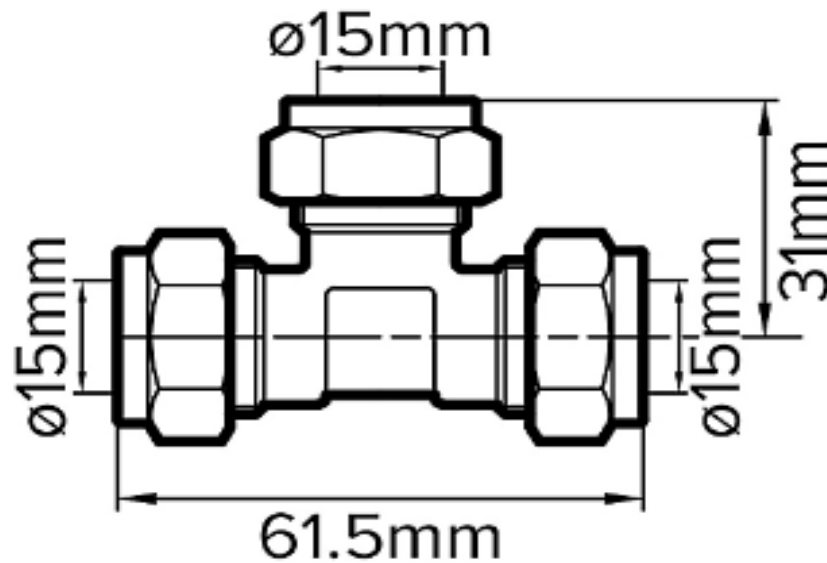
SHORT
DESCRIPTION

COMP T-PIECE C X C X C - 15MM

LONG DETAILED
DESCRIPTION

COMPRESSION T-PIECE COPPER TO COPPER TO COPPER - 15MM

TECHNICAL DRAWINGS



TECHNICAL SPECIFICATIONS

SIZE A (MM)	15
SIZE B (MM)	15
SIZE C (MM)	15
SIZE D	N/A
BRAND	COBRA or Similar
MANUFACTURER WARRANTY	N/A
MAXIMUM PRESSURE	16 BAR
MINIMUM PRESSURE	0.5 BAR
MAXIMUM TEMPERATURE (°C)	85°C
MINIMUM TEMPERATURE (°C)	-10°C
THREAD PITCH (MM)	N/A
THREAD REACH (MM)	N/A
OPERATING TEMPERATURE (°C)	-10>85

EXTERNAL MATERIAL	BRASS
INTERNAL MATERIAL	BRASS
STORAGE REQUIREMENTS	CLEAN & DRY
MSDS REQUIRED	N/A
BOX QUANTITY	EACHES

SPECIAL INSTRUCTIONS

APPROVALS

APPROVALS

SUPERVISOR: STORES

HEAD: ASSETS & SUPPLY CHAIN

HEAD: DEPARTMENT

STORES STOCK ITEM SPECIFICATION & TECHNICAL DATA SHEET



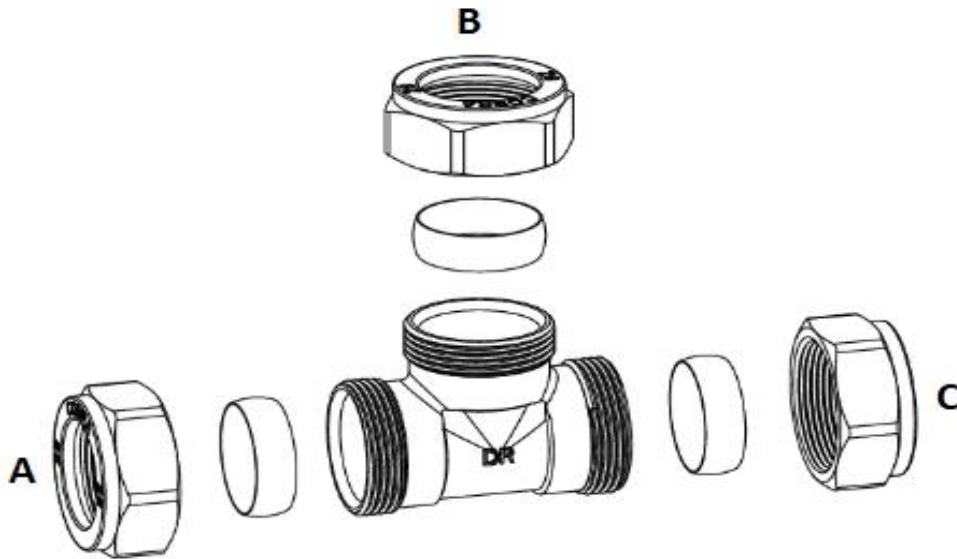
**BERGRIVIER
MUNICIPALITY**



ITEM NUMBER	WTR-0001019
SHORT DESCRIPTION	COMP T-PIECE C X C X C - 22MM
LONG DETAILED DESCRIPTION	COMPRESSION T-PIECE COPPER TO COPPER TO COPPER - 22MM

TECHNICAL DRAWINGS

TECHNICAL SPECIFICATIONS



SIZE A (MM)	22
SIZE B (MM)	22
SIZE C (MM)	22
SIZE D	N/A
BRAND	COBRA or Similar
MANUFACTURER WARRANTY	N/A
MAXIMUM PRESSURE	16 BAR
MINIMUM PRESSURE	0.5 BAR
MAXIMUM TEMPERATURE (°C)	85°C
MINIMUM TEMPERATURE (°C)	-10°C
THREAD PITCH (MM)	N/A
THREAD REACH (MM)	N/A
OPERATING TEMPERATURE (°C)	-10>85

EXTERNAL MATERIAL	BRASS
INTERNAL MATERIAL	BRASS
STORAGE REQUIREMENTS	CLEAN & DRY
MSDS REQUIRED	N/A
BOX QUANTITY	EACHES

SPECIAL INSTRUCTIONS	

APPROVALS		
	SUPERVISOR: STORES	HEAD: ASSETS & SUPPLY CHAIN

	APPROVALS
HEAD: DEPARTMENT	

STORES STOCK ITEM SPECIFICATION & TECHNICAL DATA SHEET



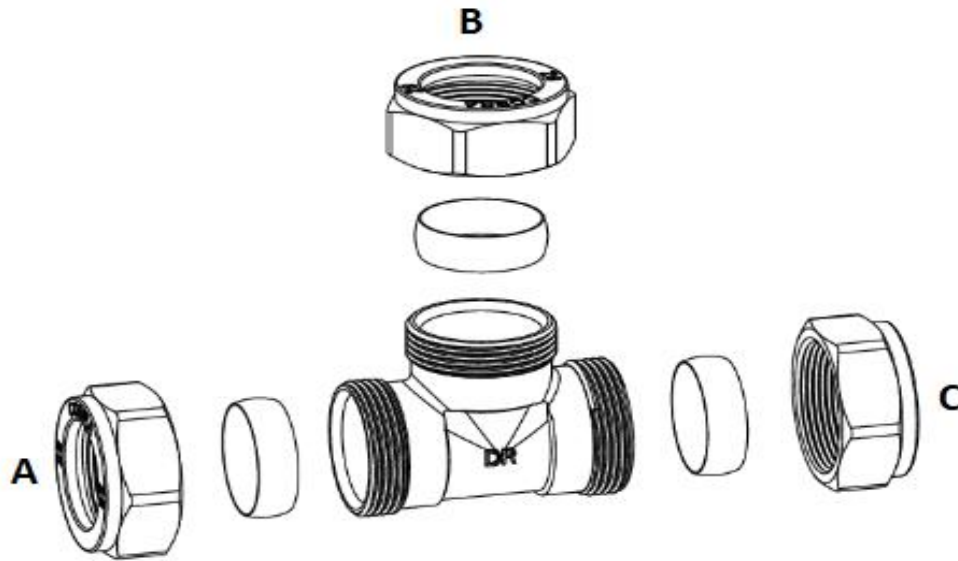
**BERGRIVIER
MUNICIPALITY**



ITEM NUMBER	WTR-0001020
SHORT DESCRIPTION	COMP T-PIECE C X C X C - 28MM
LONG DETAILED DESCRIPTION	COMPRESSION T-PIECE COPPER TO COPPER TO COPPER - 28MM

TECHNICAL DRAWINGS

TECHNICAL SPECIFICATIONS



SIZE A (MM)	28
SIZE B (MM)	28
SIZE C (MM)	28
SIZE D	N/A
BRAND	COBRA or Similar
MANUFACTURER WARRANTY	N/A
MAXIMUM PRESSURE	16 BAR
MINIMUM PRESSURE	0.5 BAR
MAXIMUM TEMPERATURE (°C)	85°C
MINIMUM TEMPERATURE (°C)	-10°C
THREAD PITCH (MM)	N/A
THREAD REACH (MM)	N/A
OPERATING TEMPERATURE (°C)	-10>85

EXTERNAL MATERIAL	BRASS
INTERNAL MATERIAL	BRASS
STORAGE REQUIREMENTS	CLEAN & DRY
MSDS REQUIRED	N/A
BOX QUANTITY	EACHES

SPECIAL INSTRUCTIONS

APPROVALS				APPROVALS
	SUPERVISOR: STORES	HEAD: ASSETS & SUPPLY CHAIN	HEAD: DEPARTMENT	

STORES STOCK ITEM SPECIFICATION & TECHNICAL DATA SHEET

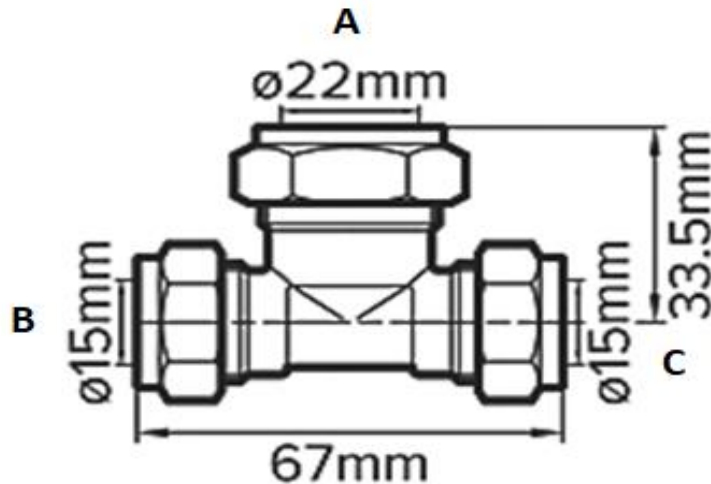


**BERGRIVIER
MUNICIPALITY**



ITEM NUMBER	WTR-0001021
SHORT DESCRIPTION	COMP T-PIECE C X C X C RED - 15X15X22
LONG DETAILED DESCRIPTION	COMPRESSION T-PIECE COPPER TO COPPER TO COPPER RED - 15X15X22MM

TECHNICAL DRAWINGS



TECHNICAL SPECIFICATIONS

SIZE A (MM)	22
SIZE B (MM)	15
SIZE C (MM)	15
SIZE D	N/A
BRAND	COBRA or Similar
MANUFACTURER WARRANTY	N/A
MAXIMUM PRESSURE	16 BAR
MINIMUM PRESSURE	0.5 BAR
MAXIMUM TEMPERATURE (°C)	85°C
MINIMUM TEMPERATURE (°C)	-10°C
THREAD PITCH (MM)	N/A
THREAD REACH (MM)	N/A
OPERATING TEMPERATURE (°C)	-10>85

EXTERNAL MATERIAL	BRASS
INTERNAL MATERIAL	BRASS
STORAGE REQUIREMENTS	CLEAN & DRY
MSDS REQUIRED	N/A
BOX QUANTITY	EACHES

SPECIAL INSTRUCTIONS

APPROVALS			
	SUPERVISOR: STORES	HEAD: ASSETS & SUPPLY CHAIN	HEAD: DEPARTMENT

APPROVALS	

STORES STOCK ITEM SPECIFICATION & TECHNICAL DATA SHEET

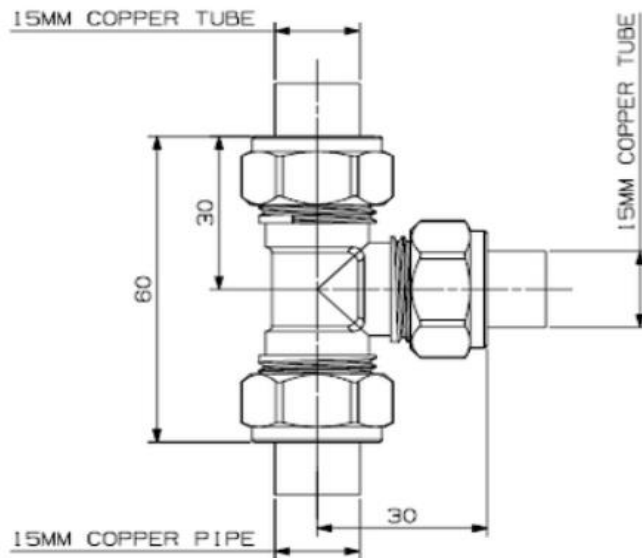


**BERGRIVIER
MUNICIPALITY**



ITEM NUMBER	WTR-0001022
SHORT DESCRIPTION	COMP T-PIECE C X C X MI - 15MM
LONG DETAILED DESCRIPTION	COMPRESSION T-PIECE COPPER TO COPPER TO MALE IRON - 15MM

TECHNICAL DRAWINGS



TECHNICAL SPECIFICATIONS

SIZE A (MM)	22
SIZE B (MM)	15
SIZE C (MM)	15
SIZE D	N/A
BRAND	COBRA or Similar
MANUFACTURER WARRANTY	N/A
MAXIMUM PRESSURE	16 BAR
MINIMUM PRESSURE	0.5 BAR
MAXIMUM TEMPERATURE (°C)	85°C
MINIMUM TEMPERATURE (°C)	-10°C
THREAD PITCH (MM)	N/A
THREAD REACH (MM)	N/A
OPERATING TEMPERATURE (°C)	-10>85

EXTERNAL MATERIAL	BRASS
INTERNAL MATERIAL	BRASS
STORAGE REQUIREMENTS	CLEAN & DRY
MSDS REQUIRED	N/A
BOX QUANTITY	EACHES

SPECIAL INSTRUCTIONS

APPROVALS

APPROVALS

SUPERVISOR: STORES

HEAD: ASSETS & SUPPLY CHAIN

HEAD: DEPARTMENT

STORES STOCK ITEM SPECIFICATION & TECHNICAL DATA SHEET



**BERGRIVIER
MUNICIPALITY**



ITEM NUMBER

WTR-0001023

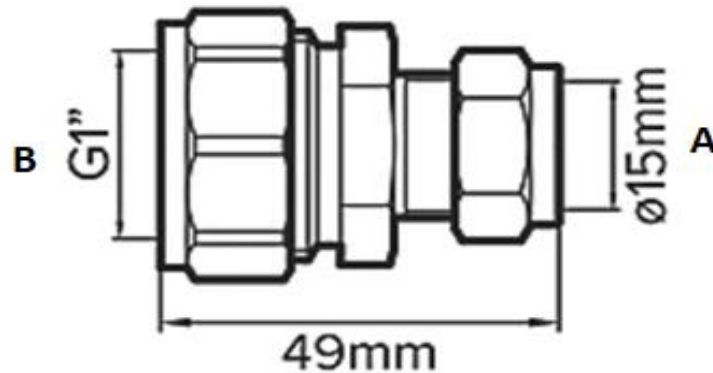
SHORT
DESCRIPTION

COMP REDUCER C X C - 22MM X 15MM

LONG DETAILED
DESCRIPTION

COMPRESSION REDUCER COPPER TO COPPER - 22 X 15MM

TECHNICAL DRAWINGS



TECHNICAL SPECIFICATIONS

SIZE A (MM)	15
SIZE B (MM)	22
SIZE C (MM)	N/A
SIZE D	N/A
BRAND	COBRA or Similar
MANUFACTURER WARRANTY	N/A
MAXIMUM PRESSURE	16 BAR
MINIMUM PRESSURE	0.5 BAR
MAXIMUM TEMPERATURE (°C)	85°C
MINIMUM TEMPERATURE (°C)	-10°C
THREAD PITCH (MM)	N/A
THREAD REACH (MM)	N/A
OPERATING TEMPERATURE (°C)	-10>85

EXTERNAL MATERIAL	BRASS
INTERNAL MATERIAL	BRASS
STORAGE REQUIREMENTS	CLEAN & DRY
MSDS REQUIRED	N/A
BOX QUANTITY	EACHES

SPECIAL INSTRUCTIONS

APPROVALS

SUPERVISOR: STORES

HEAD: ASSETS & SUPPLY CHAIN

HEAD: DEPARTMENT

APPROVALS

STORES STOCK ITEM SPECIFICATION & TECHNICAL DATA SHEET



**BERGRIVIER
MUNICIPALITY**



ITEM NUMBER	WTR-0001024
SHORT DESCRIPTION	COMP REDUCER C X FI - 22MM X 15MM
LONG DETAILED DESCRIPTION	COMPRESSION REDUCER COPPER TO FEMALE IRON - 22 X 15MM

TECHNICAL DRAWINGS



TECHNICAL SPECIFICATIONS

SIZE A (MM)	22MM
SIZE B (MM)	15MM
SIZE C (MM)	N/A
SIZE D	N/A
BRAND	COBRA or Similar
MANUFACTURER WARRANTY	N/A
MAXIMUM PRESSURE	16 BAR
MINIMUM PRESSURE	0.5 BAR
MAXIMUM TEMPERATURE (°C)	85°C
MINIMUM TEMPERATURE (°C)	-10°C
THREAD PITCH (MM)	N/A
THREAD REACH (MM)	N/A
OPERATING TEMPERATURE (°C)	-10>85

EXTERNAL MATERIAL	BRASS
INTERNAL MATERIAL	BRASS
STORAGE REQUIREMENTS	CLEAN & DRY
MSDS REQUIRED	N/A
BOX QUANTITY	EACHES

SPECIAL INSTRUCTIONS

APPROVALS

APPROVALS

SUPERVISOR: STORES

HEAD: ASSETS & SUPPLY CHAIN

HEAD: DEPARTMENT

STORES STOCK ITEM SPECIFICATION & TECHNICAL DATA SHEET



**BERGRIVIER
MUNICIPALITY**



ITEM NUMBER	WTR-0001025
SHORT DESCRIPTION	COMP REDUCER C X FI - 15MM X 22MM
LONG DETAILED DESCRIPTION	COMPRESSION REDUCER COPPER TO FEMALE IRON - 15 X 22MM

TECHNICAL DRAWINGS



TECHNICAL SPECIFICATIONS

SIZE A (MM)	15MM
SIZE B (MM)	22MM
SIZE C (MM)	N/A
SIZE D	N/A
BRAND	COBRA or Similar
MANUFACTURER WARRANTY	N/A
MAXIMUM PRESSURE	16 BAR
MINIMUM PRESSURE	0.5 BAR
MAXIMUM TEMPERATURE (°C)	85°C
MINIMUM TEMPERATURE (°C)	-10°C
THREAD PITCH (MM)	N/A
THREAD REACH (MM)	N/A
OPERATING TEMPERATURE (°C)	-10>85

EXTERNAL MATERIAL	BRASS
INTERNAL MATERIAL	BRASS
STORAGE REQUIREMENTS	CLEAN & DRY
MSDS REQUIRED	N/A
BOX QUANTITY	EACHES

SPECIAL INSTRUCTIONS

APPROVALS

APPROVALS

SUPERVISOR: STORES

HEAD: ASSETS & SUPPLY CHAIN

HEAD: DEPARTMENT

STORES STOCK ITEM SPECIFICATION & TECHNICAL DATA SHEET

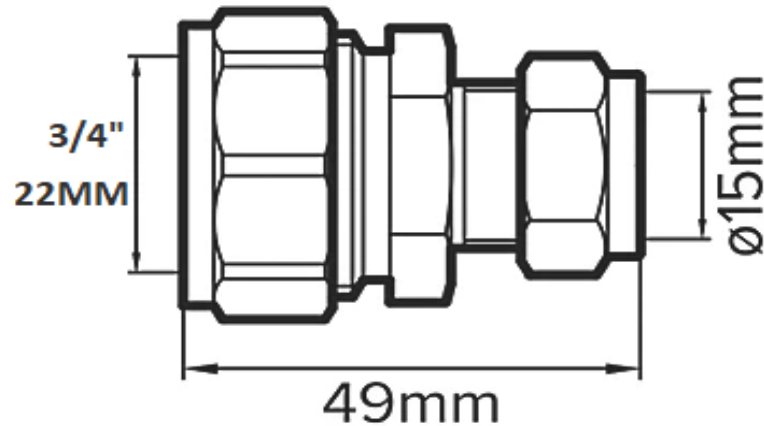


**BERGRIVIER
MUNICIPALITY**



ITEM NUMBER	WTR-0001026
SHORT DESCRIPTION	COMP REDUCER C X MI - 22MM X 15MM
LONG DETAILED DESCRIPTION	COMPRESSION REDUCER COPPER TO MALE IRON - 22 X 15MM

TECHNICAL DRAWINGS



TECHNICAL SPECIFICATIONS

SIZE A (MM)	22MM
SIZE B (MM)	15MM
SIZE C (MM)	N/A
SIZE D	N/A
BRAND	COBRA or Similar
MANUFACTURER WARRANTY	N/A
MAXIMUM PRESSURE	16 BAR
MINIMUM PRESSURE	0.5 BAR
MAXIMUM TEMPERATURE (°C)	85°C
MINIMUM TEMPERATURE (°C)	-10°C
THREAD PITCH (MM)	N/A
THREAD REACH (MM)	N/A
OPERATING TEMPERATURE (°C)	-10>85

EXTERNAL MATERIAL	BRASS
INTERNAL MATERIAL	BRASS
STORAGE REQUIREMENTS	CLEAN & DRY
MSDS REQUIRED	N/A
BOX QUANTITY	EACHES

SPECIAL INSTRUCTIONS

APPROVALS

APPROVALS

SUPERVISOR: STORES

HEAD: ASSETS & SUPPLY CHAIN

HEAD: DEPARTMENT

STORES STOCK ITEM SPECIFICATION & TECHNICAL DATA SHEET



**BERGRIVIER
MUNICIPALITY**



ITEM NUMBER

WTR-0001027

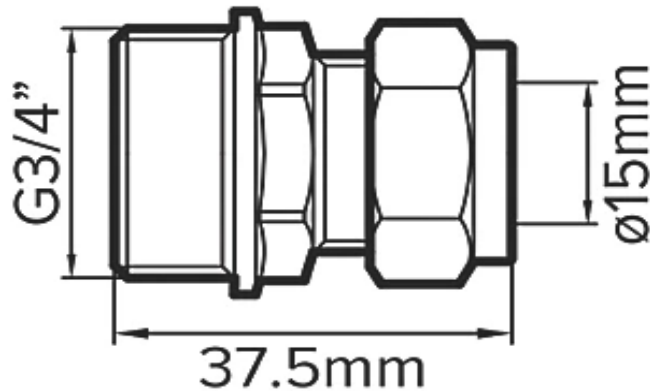
SHORT
DESCRIPTION

COMP REDUCER C X MI - 15MM X 22MM

LONG DETAILED
DESCRIPTION

COMPRESSION REDUCER COPPER TO MALE IRON - 15 X 22MM

TECHNICAL DRAWINGS



TECHNICAL SPECIFICATIONS

SIZE A (MM)	15MM
SIZE B (MM)	3/4"
SIZE C (MM)	N/A
SIZE D	N/A
BRAND	COBRA or Similar
MANUFACTURER WARRANTY	N/A
MAXIMUM PRESSURE	16 BAR
MINIMUM PRESSURE	0.5 BAR
MAXIMUM TEMPERATURE (°C)	85°C
MINIMUM TEMPERATURE (°C)	-10°C
THREAD PITCH (MM)	N/A
THREAD REACH (MM)	N/A
OPERATING TEMPERATURE (°C)	-10>85

EXTERNAL MATERIAL	BRASS
INTERNAL MATERIAL	BRASS
STORAGE REQUIREMENTS	CLEAN & DRY
MSDS REQUIRED	N/A
BOX QUANTITY	EACHES

SPECIAL INSTRUCTIONS

APPROVALS

SUPERVISOR: STORES

HEAD: ASSETS & SUPPLY CHAIN

HEAD: DEPARTMENT

APPROVALS

STORES STOCK ITEM SPECIFICATION & TECHNICAL DATA SHEET

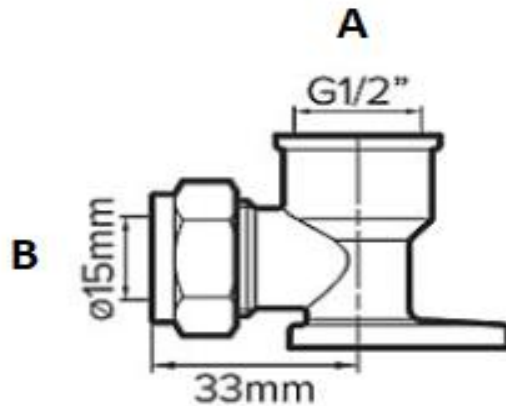


**BERGRIVIER
MUNICIPALITY**



ITEM NUMBER	WTR-0001028
SHORT DESCRIPTION	15MM WALL PLATES
LONG DETAILED DESCRIPTION	BRASS WALL PLATE - 15MM

TECHNICAL DRAWINGS



TECHNICAL SPECIFICATIONS

SIZE A (MM)	1/2"
SIZE B (MM)	15
SIZE C (MM)	N/A
SIZE D	N/A
BRAND	COBRA or Similar
MANUFACTURER WARRANTY	N/A
MAXIMUM PRESSURE	16 BAR
MINIMUM PRESSURE	0.5 BAR
MAXIMUM TEMPERATURE (°C)	85°C
MINIMUM TEMPERATURE (°C)	-10°C
THREAD PITCH (MM)	N/A
THREAD REACH (MM)	N/A
OPERATING TEMPERATURE (°C)	-10>85

EXTERNAL MATERIAL	BRASS
INTERNAL MATERIAL	BRASS
STORAGE REQUIREMENTS	CLEAN & DRY
MSDS REQUIRED	N/A
BOX QUANTITY	EACHES

SPECIAL INSTRUCTIONS

APPROVALS

APPROVALS

SUPERVISOR: STORES

HEAD: ASSETS & SUPPLY CHAIN

HEAD: DEPARTMENT

STORES STOCK ITEM SPECIFICATION & TECHNICAL DATA SHEET

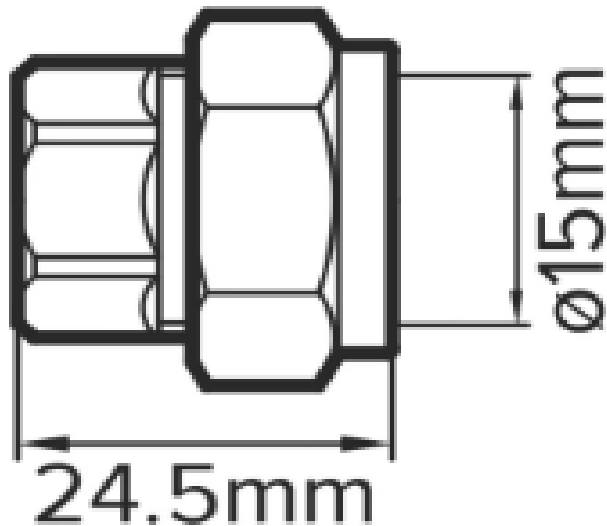


**BERGRIVIER
MUNICIPALITY**



ITEM NUMBER	WTR-0001029
SHORT DESCRIPTION	COMP STOP ENDS 15MM
LONG DETAILED DESCRIPTION	COMPRESSION STOP ENDS - 15MM

TECHNICAL DRAWINGS



TECHNICAL SPECIFICATIONS

SIZE A (MM)	15MM
SIZE B (MM)	N/A
SIZE C (MM)	N/A
SIZE D	N/A
BRAND	COBRA or Similar
MANUFACTURER WARRANTY	N/A
MAXIMUM PRESSURE	16 BAR
MINIMUM PRESSURE	0.5 BAR
MAXIMUM TEMPERATURE (°C)	85°C
MINIMUM TEMPERATURE (°C)	-10°C
THREAD PITCH (MM)	N/A
THREAD REACH (MM)	N/A
OPERATING TEMPERATURE (°C)	-10>85

EXTERNAL MATERIAL	BRASS
INTERNAL MATERIAL	BRASS
STORAGE REQUIREMENTS	CLEAN & DRY
MSDS REQUIRED	N/A
BOX QUANTITY	EACHES

SPECIAL INSTRUCTIONS

APPROVALS

SUPERVISOR: STORES	HEAD: ASSETS & SUPPLY CHAIN	HEAD: DEPARTMENT

APPROVALS

STORES STOCK ITEM SPECIFICATION & TECHNICAL DATA SHEET

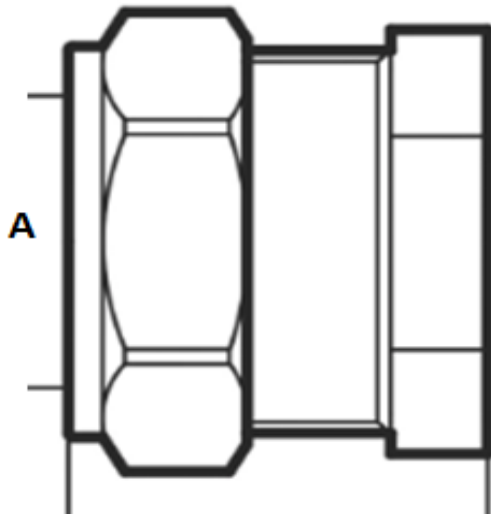


**BERGRIVIER
MUNICIPALITY**



ITEM NUMBER	WTR-0001030
SHORT DESCRIPTION	COMP STOP ENDS 22MM
LONG DETAILED DESCRIPTION	COMPRESSION STOP END - 22MM

TECHNICAL DRAWINGS



TECHNICAL SPECIFICATIONS

SIZE A (MM)	22MM
SIZE B (MM)	N/A
SIZE C (MM)	N/A
SIZE D	N/A
BRAND	COBRA or Similar
MANUFACTURER WARRANTY	N/A
MAXIMUM PRESSURE	16 BAR
MINIMUM PRESSURE	0.5 BAR
MAXIMUM TEMPERATURE (°C)	85°C
MINIMUM TEMPERATURE (°C)	-10°C
THREAD PITCH (MM)	N/A
THREAD REACH (MM)	N/A
OPERATING TEMPERATURE (°C)	-10>85

EXTERNAL MATERIAL	BRASS
INTERNAL MATERIAL	BRASS
STORAGE REQUIREMENTS	CLEAN & DRY
MSDS REQUIRED	N/A
BOX QUANTITY	EACHES

SPECIAL INSTRUCTIONS

APPROVALS

--	--	--	--

SUPERVISOR: STORES

HEAD: ASSETS & SUPPLY CHAIN

HEAD: DEPARTMENT

APPROVALS

STORES STOCK ITEM SPECIFICATION & TECHNICAL DATA SHEET



**BERGRIVIER
MUNICIPALITY**



ITEM NUMBER

WTR-0001031

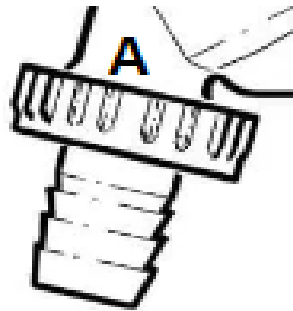
SHORT
DESCRIPTION

15MM TAP TAIL PIECES

LONG DETAILED
DESCRIPTION

TAP TAIL PIECES -15MM

TECHNICAL DRAWINGS



TECHNICAL SPECIFICATIONS

SIZE A (MM)	15MM
SIZE B (MM)	N/A
SIZE C (MM)	N/A
SIZE D	N/A
BRAND	COBRA or Similar
MANUFACTURER WARRANTY	N/A
MAXIMUM PRESSURE	16 BAR
MINIMUM PRESSURE	0.5 BAR
MAXIMUM TEMPERATURE (°C)	85°C
MINIMUM TEMPERATURE (°C)	-10°C
THREAD PITCH (MM)	N/A
THREAD REACH (MM)	N/A
OPERATING TEMPERATURE (°C)	-10>85

EXTERNAL MATERIAL	BRASS
INTERNAL MATERIAL	BRASS
STORAGE REQUIREMENTS	CLEAN & DRY
MSDS REQUIRED	N/A
BOX QUANTITY	EACHES

SPECIAL INSTRUCTIONS

APPROVALS

APPROVALS

SUPERVISOR: STORES

HEAD: ASSETS & SUPPLY CHAIN

HEAD: DEPARTMENT

STORES STOCK ITEM SPECIFICATION & TECHNICAL DATA SHEET



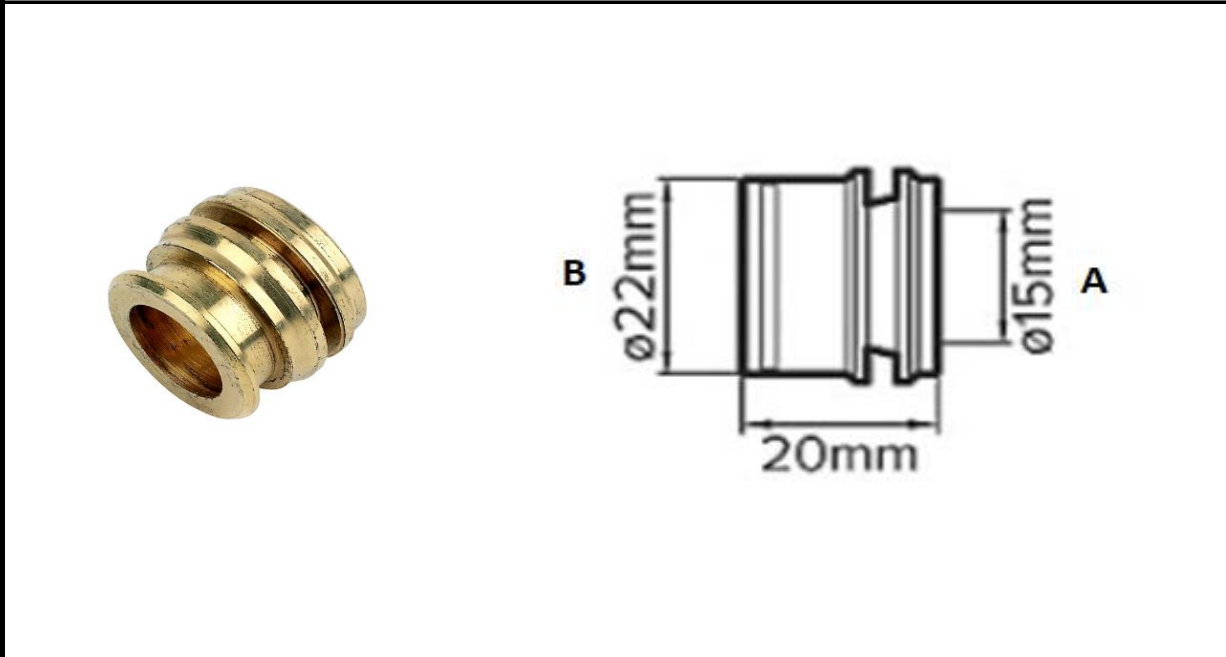
**BERGRIVIER
MUNICIPALITY**



ITEM NUMBER	WTR-0001032
SHORT DESCRIPTION	COMP REDUCER SET C X C 22MM X 25MM
LONG DETAILED DESCRIPTION	COMPRESSION REDUCER SET COPPER TO COPPER 22 X 15MM

TECHNICAL DRAWINGS

TECHNICAL SPECIFICATIONS



SIZE A (MM)	15MM
SIZE B (MM)	22MM
SIZE C (MM)	N/A
SIZE D	N/A
BRAND	COBRA or Similar
MANUFACTURER WARRANTY	N/A
MAXIMUM PRESSURE	16 BAR
MINIMUM PRESSURE	0.5 BAR
MAXIMUM TEMPERATURE (°C)	85°C
MINIMUM TEMPERATURE (°C)	-10°C
THREAD PITCH (MM)	N/A
THREAD REACH (MM)	N/A
OPERATING TEMPERATURE (°C)	-10>85

EXTERNAL MATERIAL	BRASS
INTERNAL MATERIAL	BRASS
STORAGE REQUIREMENTS	CLEAN & DRY
MSDS REQUIRED	N/A
BOX QUANTITY	EACHES

SPECIAL INSTRUCTIONS	

APPROVALS		
	SUPERVISOR: STORES	HEAD: ASSETS & SUPPLY CHAIN

	APPROVALS
HEAD: DEPARTMENT	

STORES STOCK ITEM SPECIFICATION & TECHNICAL DATA SHEET

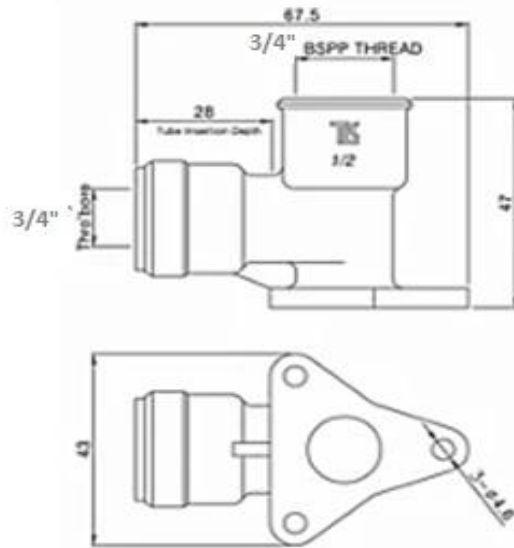


**BERGRIVIER
MUNICIPALITY**



ITEM NUMBER	WTR-0001033
SHORT DESCRIPTION	22MM WALL PLATES
LONG DETAILED DESCRIPTION	BRASS WALL PLATE - 22MM

TECHNICAL DRAWINGS



TECHNICAL SPECIFICATIONS

SIZE A (MM)	3/4"
SIZE B (MM)	22MM
SIZE C (MM)	N/A
SIZE D	N/A
BRAND	COBRA or Similar
MANUFACTURER WARRANTY	N/A
MAXIMUM PRESSURE	16 BAR
MINIMUM PRESSURE	0.5 BAR
MAXIMUM TEMPERATURE (°C)	85°C
MINIMUM TEMPERATURE (°C)	-10°C
THREAD PITCH (MM)	N/A
THREAD REACH (MM)	N/A
OPERATING TEMPERATURE (°C)	-10>85

EXTERNAL MATERIAL	BRASS
INTERNAL MATERIAL	BRASS
STORAGE REQUIREMENTS	CLEAN & DRY
MSDS REQUIRED	N/A
BOX QUANTITY	EACHES

SPECIAL INSTRUCTIONS

APPROVALS

APPROVALS

SUPERVISOR: STORES

HEAD: ASSETS & SUPPLY CHAIN

HEAD: DEPARTMENT

STORES STOCK ITEM SPECIFICATION & TECHNICAL DATA SHEET

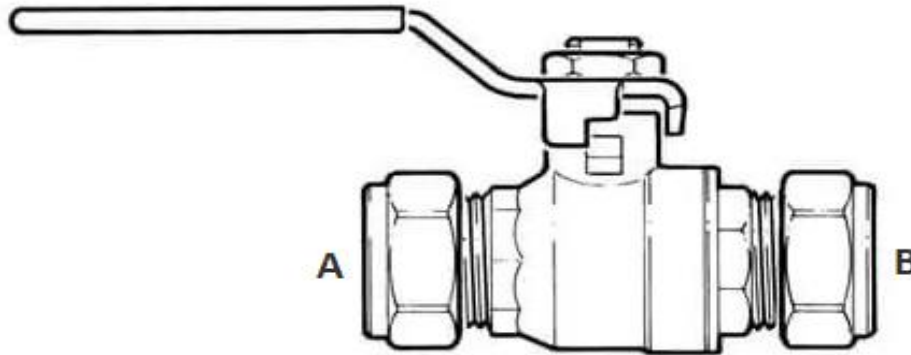


**BERGRIVIER
MUNICIPALITY**



ITEM NUMBER	WTR-0002001
SHORT DESCRIPTION	BALL VALVE C X C LEVER - 15MM
LONG DETAILED DESCRIPTION	BALL VAVLE COPPER TO COPPER LEVER - 15MM

TECHNICAL DRAWINGS



TECHNICAL SPECIFICATIONS

SIZE A (MM)	15MM
SIZE B (MM)	15MM
SIZE C (MM)	N/A
SIZE D	N/A
BRAND	N/A
MANUFACTURER WARRANTY	N/A
MAXIMUM PRESSURE	16 BAR
MINIMUM PRESSURE	0.5 BAR
MAXIMUM TEMPERATURE (°C)	85°C
MINIMUM TEMPERATURE (°C)	-10°C
THREAD PITCH (MM)	N/A
THREAD REACH (MM)	N/A
OPERATING TEMPERATURE (°C)	-10>85

EXTERNAL MATERIAL	Chrome plated Brass/High Polished Mild steel
INTERNAL MATERIAL	Stainless Steel/Brass
STORAGE REQUIREMENTS	CLEAN & DRY
MSDS REQUIRED	N/A
BOX QUANTITY	EACHES

SPECIAL INSTRUCTIONS

APPROVALS

SUPERVISOR: STORES	HEAD: ASSETS & SUPPLY CHAIN	HEAD: DEPARTMENT	

APPROVALS

STORES STOCK ITEM SPECIFICATION & TECHNICAL DATA SHEET



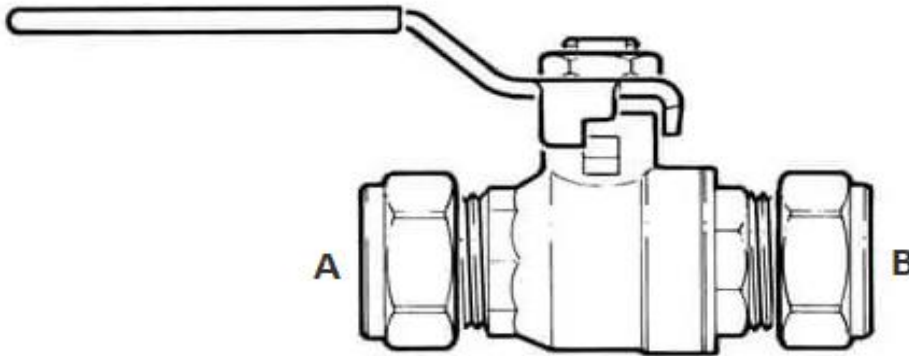
**BERGRIVIER
MUNICIPALITY**



ITEM NUMBER	WTR-0002002
SHORT DESCRIPTION	BALL VALVE C X C LEVER - 22MM
LONG DETAILED DESCRIPTION	BALL VAVLE COPPER TO COPPER LEVER - 22MM

TECHNICAL DRAWINGS

TECHNICAL SPECIFICATIONS



SIZE A (MM)	22MM
SIZE B (MM)	22MM
SIZE C (MM)	N/A
SIZE D	N/A
BRAND	N/A
MANUFACTURER WARRANTY	N/A
MAXIMUM PRESSURE	16 BAR
MINIMUM PRESSURE	0.5 BAR
MAXIMUM TEMPERATURE (°C)	85°C
MINIMUM TEMPERATURE (°C)	-10°C
THREAD PITCH (MM)	N/A
THREAD REACH (MM)	N/A
OPERATING TEMPERATURE (°C)	-10>85

EXTERNAL MATERIAL	Chrome plated Brass/High Polished Mild steel
INTERNAL MATERIAL	Stainless Steel/Brass
STORAGE REQUIREMENTS	CLEAN & DRY
MSDS REQUIRED	N/A
BOX QUANTITY	EACHES

SPECIAL INSTRUCTIONS

APPROVALS

--	--	--

APPROVALS

SUPERVISOR: STORES	HEAD: ASSETS & SUPPLY CHAIN	HEAD: DEPARTMENT
--------------------	-----------------------------	------------------

STORES STOCK ITEM SPECIFICATION & TECHNICAL DATA SHEET

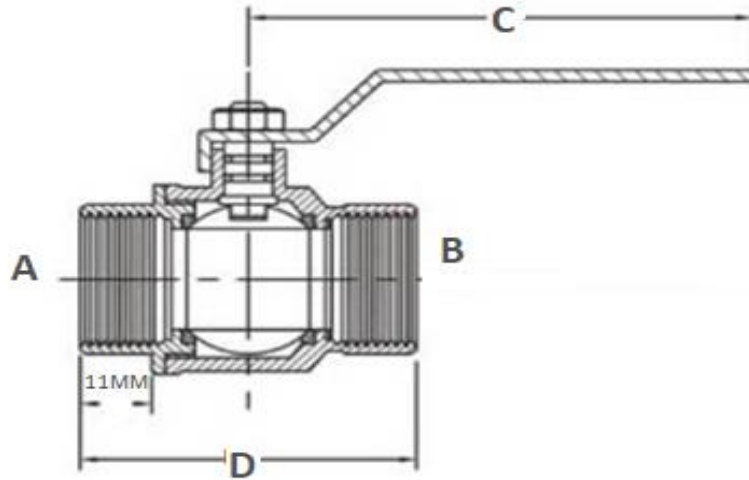


**BERGRIVIER
MUNICIPALITY**



ITEM NUMBER	WTR-0002003
SHORT DESCRIPTION	BALL VALVE FI X FI LEVER - 25MM
LONG DETAILED DESCRIPTION	BALL VALVE FEMALE TO IRON X FEMALE IRON LEVER - 25MM

TECHNICAL DRAWINGS



TECHNICAL SPECIFICATIONS

SIZE A (MM)	30.5MM
SIZE B (MM)	30.5MM
SIZE C (MM)	112MM
SIZE D (MM)	61MM
BRAND	BRESCIA OR SIMILAR
MANUFACTURER WARRANTY	N/A
MAXIMUM PRESSURE	16 BAR
MINIMUM PRESSURE	0.5 BAR
MAXIMUM TEMPERATURE (°C)	85°C
MINIMUM TEMPERATURE (°C)	-10°C
THREAD PITCH (MM)	N/A
THREAD REACH (MM)	N/A
OPERATING TEMPERATURE (°C)	-10>85

EXTERNAL MATERIAL	Chrome plated Brass/High Polished Mild steel
INTERNAL MATERIAL	Stainless Steel/Brass
STORAGE REQUIREMENTS	CLEAN & DRY
MSDS REQUIRED	N/A
BOX QUANTITY	EACHES

SPECIAL INSTRUCTIONS

APPROVALS			
	SUPERVISOR: STORES	HEAD: ASSETS & SUPPLY CHAIN	HEAD: DEPARTMENT

APPROVALS	

STORES STOCK ITEM SPECIFICATION & TECHNICAL DATA SHEET



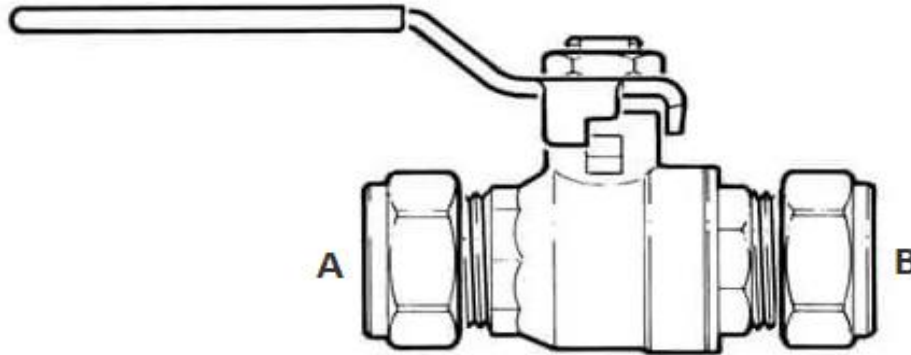
**BERGRIVIER
MUNICIPALITY**



ITEM NUMBER	WTR-0002004
SHORT DESCRIPTION	BALL VALVE C X C LEVER - 28MM
LONG DETAILED DESCRIPTION	BALL VALVE COPPER TO COPPER LEVER - 28MM

TECHNICAL DRAWINGS

TECHNICAL SPECIFICATIONS



SIZE A (MM)	28MM
SIZE B (MM)	28MM
SIZE C (MM)	N/A
SIZE D	N/A
BRAND	N/A
MANUFACTURER WARRANTY	N/A
MAXIMUM PRESSURE	16 BAR
MINIMUM PRESSURE	0.5 BAR
MAXIMUM TEMPERATURE (°C)	85°C
MINIMUM TEMPERATURE (°C)	-10°C
THREAD PITCH (MM)	N/A
THREAD REACH (MM)	N/A
OPERATING TEMPERATURE (°C)	-10>85

EXTERNAL MATERIAL	Chrome plated Brass/High Polished Mild steel
INTERNAL MATERIAL	Stainless Steel/Brass
STORAGE REQUIREMENTS	CLEAN & DRY
MSDS REQUIRED	N/A
BOX QUANTITY	EACHES

SPECIAL INSTRUCTIONS

APPROVALS

SUPERVISOR: STORES	HEAD: ASSETS & SUPPLY CHAIN	HEAD: DEPARTMENT	

APPROVALS

STORES STOCK ITEM SPECIFICATION & TECHNICAL DATA SHEET

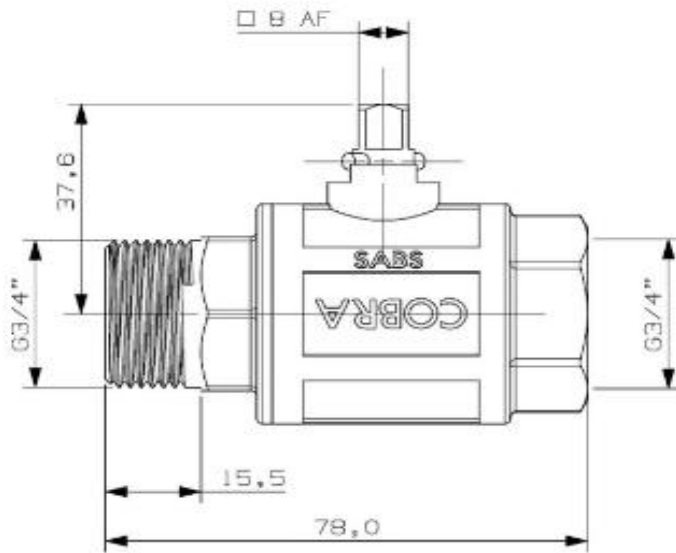


**BERGRIVIER
MUNICIPALITY**



ITEM NUMBER	WTR-0002005
SHORT DESCRIPTION	MUNICIPAL BALL VALVE 22MM
LONG DETAILED DESCRIPTION	MUNICIPAL BALL VALVE 22MM

TECHNICAL DRAWINGS



TECHNICAL SPECIFICATIONS

SIZE A (MM)	22MM / ¾"
SIZE B (MM)	22MM / ¾"
SIZE C (MM)	78MM
SIZE D	8MM
BRAND	COBRA OR SIMILAR
MANUFACTURER WARRANTY	2 YEARS
MAXIMUM PRESSURE	16 BAR
MINIMUM PRESSURE	0.5 BAR
MAXIMUM TEMPERATURE (°C)	85°C
MINIMUM TEMPERATURE (°C)	-10°C
THREAD PITCH (MM)	N/A
THREAD REACH (MM)	N/A
OPERATING TEMPERATURE (°C)	-10>85

EXTERNAL MATERIAL	Solid Brass
INTERNAL MATERIAL	Solid Brass
STORAGE REQUIREMENTS	CLEAN & DRY
MSDS REQUIRED	N/A
BOX QUANTITY	EACHES

SPECIAL INSTRUCTIONS

APPROVALS

APPROVALS

SUPERVISOR: STORES

HEAD: ASSETS & SUPPLY CHAIN

HEAD: DEPARTMENT

STORES STOCK ITEM SPECIFICATION & TECHNICAL DATA SHEET

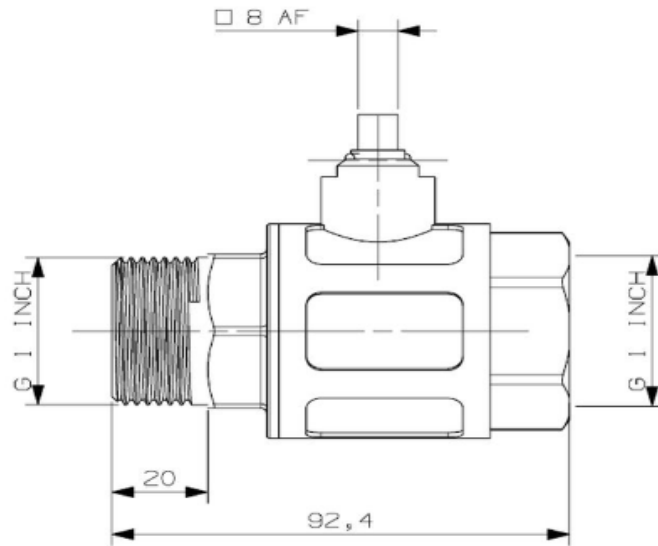


**BERGRIVIER
MUNICIPALITY**



ITEM NUMBER	WTR-0002006
SHORT DESCRIPTION	MUNICIPAL BALL VALVE 28MM
LONG DETAILED DESCRIPTION	MUNICIPAL BALL VALVE 28MM

TECHNICAL DRAWINGS



TECHNICAL SPECIFICATIONS

SIZE A (MM)	28MM / 1"
SIZE B (MM)	28MM / 1"
SIZE C (MM)	92.4MM
SIZE D	8MM
BRAND	COBRA OR SIMILAR
MANUFACTURER WARRANTY	2 YEARS
MAXIMUM PRESSURE	16 BAR
MINIMUM PRESSURE	0.5 BAR
MAXIMUM TEMPERATURE (°C)	85°C
MINIMUM TEMPERATURE (°C)	-10°C
THREAD PITCH (MM)	N/A
THREAD REACH (MM)	N/A
OPERATING TEMPERATURE (°C)	-10>85

EXTERNAL MATERIAL	Solid Brass
INTERNAL MATERIAL	Solid Brass
STORAGE REQUIREMENTS	CLEAN & DRY
MSDS REQUIRED	N/A
BOX QUANTITY	EACHES

SPECIAL INSTRUCTIONS

APPROVALS

APPROVALS

SUPERVISOR: STORES

HEAD: ASSETS & SUPPLY CHAIN

HEAD: DEPARTMENT

STORES STOCK ITEM SPECIFICATION & TECHNICAL DATA SHEET

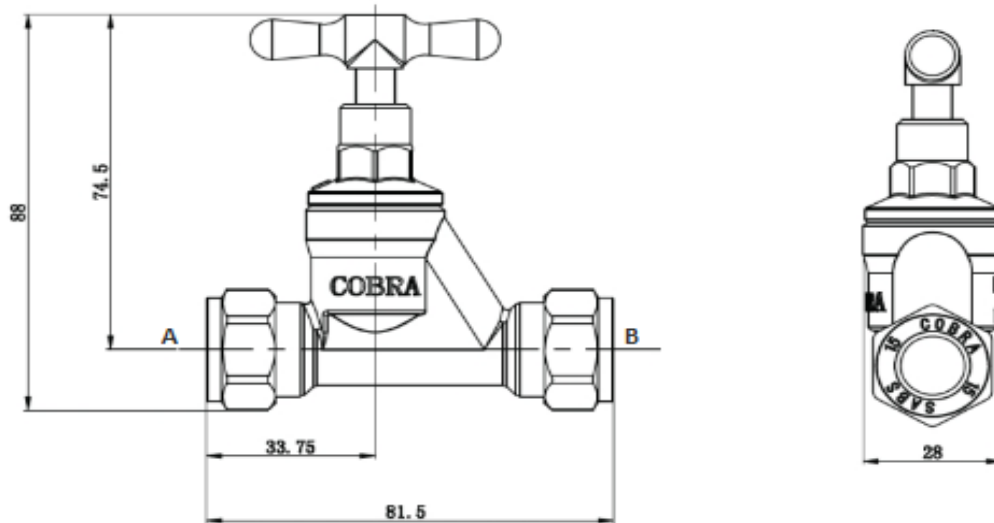


**BERGRIVIER
MUNICIPALITY**



ITEM NUMBER	WTR-0002007
SHORT DESCRIPTION	BRASS STOP TAP 15MM C X C
LONG DETAILED DESCRIPTION	BRASS STOP TAP 15MM COPPER X COPPER

TECHNICAL DRAWINGS



TECHNICAL SPECIFICATIONS

SIZE A (MM)	15MM
SIZE B (MM)	15MM
SIZE C (MM)	88MM
SIZE D	81.5MM
BRAND	COBRA OR SIMILAR
MANUFACTURER WARRANTY	2 YEARS
MAXIMUM PRESSURE	16 BAR
MINIMUM PRESSURE	0.5 BAR
MAXIMUM TEMPERATURE (°C)	85°C
MINIMUM TEMPERATURE (°C)	-10°C
THREAD PITCH (MM)	N/A
THREAD REACH (MM)	N/A
OPERATING TEMPERATURE (°C)	-10>85

EXTERNAL MATERIAL	Solid Brass
INTERNAL MATERIAL	Solid Brass
STORAGE REQUIREMENTS	CLEAN & DRY
MSDS REQUIRED	N/A
BOX QUANTITY	EACHES

SPECIAL INSTRUCTIONS

APPROVALS

APPROVALS

SUPERVISOR: STORES

HEAD: ASSETS & SUPPLY CHAIN

HEAD: DEPARTMENT

STORES STOCK ITEM SPECIFICATION & TECHNICAL DATA SHEET



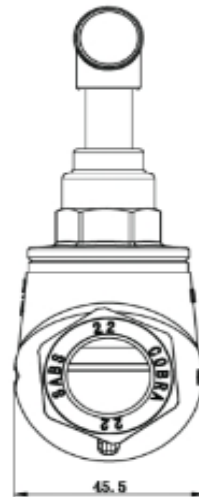
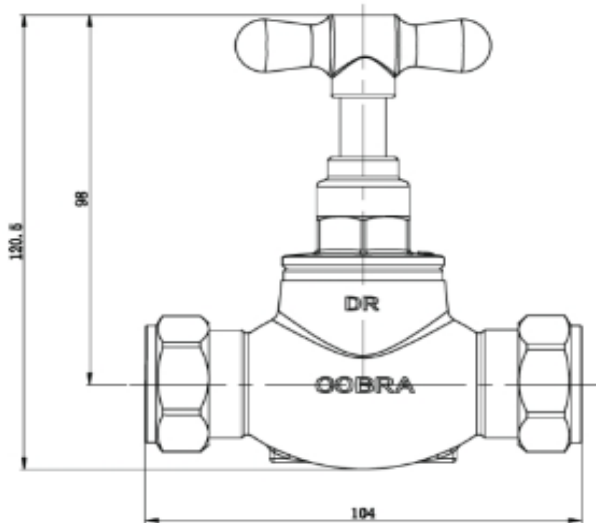
**BERGRIVIER
MUNICIPALITY**



ITEM NUMBER	WTR-0002008
SHORT DESCRIPTION	BRASS STOP TAP 22MM C X C
LONG DETAILED DESCRIPTION	BRASS STOP TAP 22MM COPPER TO COPPER

TECHNICAL DRAWINGS

TECHNICAL SPECIFICATIONS



SIZE A (MM)	22MM
SIZE B (MM)	22MM
SIZE C (MM)	104MM
SIZE D	120.6MM
BRAND	COBRA OR SIMILAR
MANUFACTURER WARRANTY	2 YEARS
MAXIMUM PRESSURE	16 BAR
MINIMUM PRESSURE	0.5 BAR
MAXIMUM TEMPERATURE (°C)	85°C
MINIMUM TEMPERATURE (°C)	-10°C
THREAD PITCH (MM)	N/A
THREAD REACH (MM)	N/A
OPERATING TEMPERATURE (°C)	-10>85

EXTERNAL MATERIAL	Solid Brass
INTERNAL MATERIAL	Solid Brass
STORAGE REQUIREMENTS	CLEAN & DRY
MSDS REQUIRED	N/A
BOX QUANTITY	EACHES

SPECIAL INSTRUCTIONS

APPROVALS

APPROVALS

SUPERVISOR: STORES

HEAD: ASSETS & SUPPLY CHAIN

HEAD: DEPARTMENT

STORES STOCK ITEM SPECIFICATION & TECHNICAL DATA SHEET

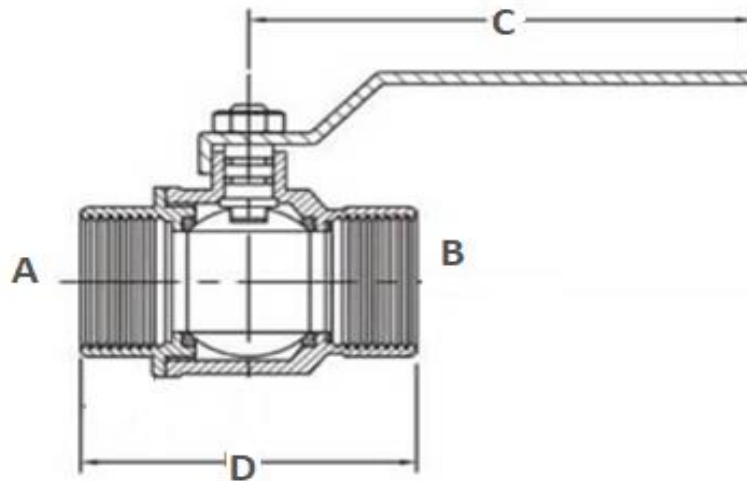


**BERGRIVIER
MUNICIPALITY**



ITEM NUMBER	WTR-0002009
SHORT DESCRIPTION	BALL VALVE FI X FI LEVER - 20MM
LONG DETAILED DESCRIPTION	BALL VALVE FEMALE TO IRON X FEMALE TO IRON LEVER - 20MM

TECHNICAL DRAWINGS



TECHNICAL SPECIFICATIONS

SIZE A (MM)	½"
SIZE B (MM)	½"
SIZE C (MM)	112MM
SIZE D	N/A
BRAND	BRESCIA OR SIMILAR
MANUFACTURER WARRANTY	N/A
MAXIMUM PRESSURE	16 BAR
MINIMUM PRESSURE	0.5 BAR
MAXIMUM TEMPERATURE (°C)	85°C
MINIMUM TEMPERATURE (°C)	-10°C
THREAD PITCH (MM)	N/A
THREAD REACH (MM)	N/A
OPERATING TEMPERATURE (°C)	-10>85

EXTERNAL MATERIAL	Chrome plated Brass/High Polished Mild steel
INTERNAL MATERIAL	Stainless Steel/Brass
STORAGE REQUIREMENTS	CLEAN & DRY
MSDS REQUIRED	N/A
BOX QUANTITY	EACHES

SPECIAL INSTRUCTIONS

APPROVALS

APPROVALS

SUPERVISOR: STORES

HEAD: ASSETS & SUPPLY CHAIN

HEAD: DEPARTMENT

STORES STOCK ITEM SPECIFICATION & TECHNICAL DATA SHEET



**BERGRIVIER
MUNICIPALITY**



ITEM NUMBER

WTR-0002010

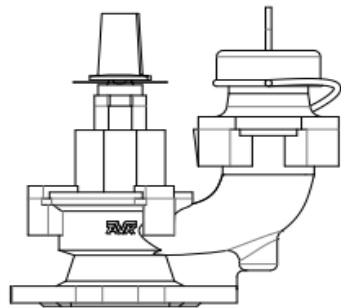
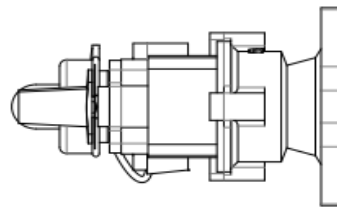
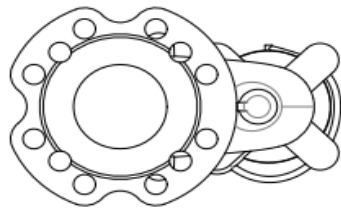
SHORT
DESCRIPTION

FIRE HYDRANT VALVE

LONG DETAILED
DESCRIPTION

FIRE HYDRANT VALVE (TAMPERPROOF) RIGHT ANGLE 80MM

TECHNICAL DRAWINGS



TECHNICAL SPECIFICATIONS

SIZE A (MM)	DN80 (80MM)
SIZE B (MM)	N/A
SIZE C (MM)	N/A
SIZE D	N/A
BRAND	AVK or similar
MANUFACTURER WARRANTY	NOT STATED
MAXIMUM PRESSURE	PN16 (16 BAR)
MINIMUM PRESSURE	NOT STATED
MAXIMUM TEMPERATURE (°C)	70°C
MINIMUM TEMPERATURE (°C)	NOT STATED
THREAD PITCH (MM)	N/A
THREAD REACH (MM)	N/A
OPERATING TEMPERATURE (°C)	-10°C > 70°C

EXTERNAL MATERIAL	CAST IRON POWDER COATED - BLUE(RAL5017) TO SANS 664
INTERNAL MATERIAL	STAINLESS STEEL
STORAGE REQUIREMENTS	CLEAN & DRY
MSDS REQUIRED	N/A
BOX QUANTITY	EACHES

SPECIAL INSTRUCTIONS

APPROVALS

SUPERVISOR: STORES

HEAD: ASSETS & SUPPLY CHAIN

HEAD: DEPARTMENT

APPROVALS

STORES STOCK ITEM SPECIFICATION & TECHNICAL DATA SHEET



**BERGRIVIER
MUNICIPALITY**



ITEM NUMBER

WTR-0002011

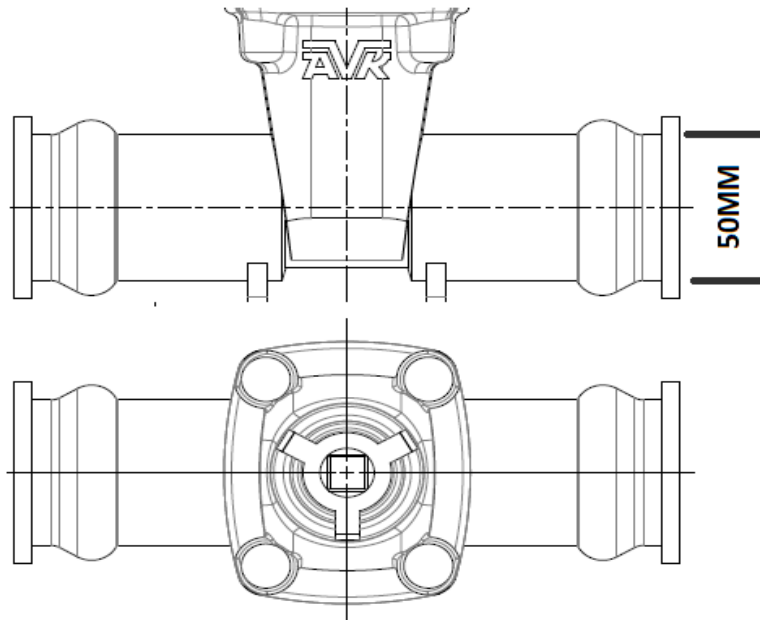
SHORT
DESCRIPTION

GATE VALVE PN16 - DN50 (50MM)

LONG DETAILED
DESCRIPTION

GATE VALVE PN16 - DN50 (50MM)

TECHNICAL DRAWINGS



TECHNICAL SPECIFICATIONS

SIZE A (MM)	50MM
SIZE B (MM)	N/A
SIZE C (MM)	N/A
SIZE D	N/A
BRAND	AVK
MANUFACTURER WARRANTY	N/A
MAXIMUM PRESSURE	PN16 (16 BAR)
MINIMUM PRESSURE	NOT STATED
MAXIMUM TEMPERATURE (°C)	70°C
MINIMUM TEMPERATURE (°C)	NOT STATED
THREAD PITCH (MM)	N/A
THREAD REACH (MM)	N/A
OPERATING TEMPERATURE (°C)	0 > 70°C

EXTERNAL MATERIAL	CAST IRON POWDER COATED - BLUE(RAL5017) TO SANS 664
INTERNAL MATERIAL	STAINLESS STEEL
STORAGE REQUIREMENTS	CLEAN & DRY
MSDS REQUIRED	N/A
BOX QUANTITY	EACHES

SPECIAL INSTRUCTIONS

LOCALLY PRODUCED CONTENT
LEFT HAND CLOSING VALVE

APPROVALS

SUPERVISOR: STORES

HEAD: ASSETS & SUPPLY CHAIN

HEAD: DEPARTMENT

APPROVALS

STORES STOCK ITEM SPECIFICATION & TECHNICAL DATA SHEET



**BERGRIVIER
MUNICIPALITY**



ITEM NUMBER

WTR-0002012

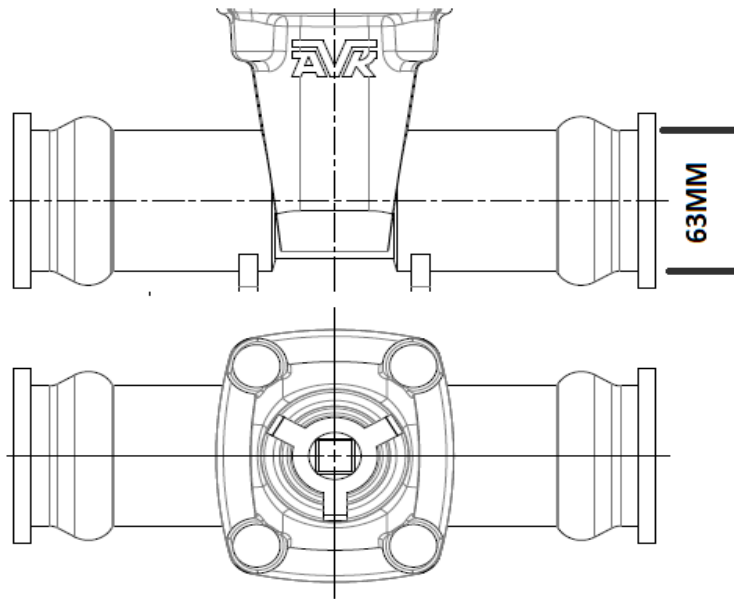
SHORT
DESCRIPTION

GATE VALVE PN16 - DN63 (63MM)

LONG DETAILED
DESCRIPTION

GATE VALVE PN16 - DN63 (63MM)

TECHNICAL DRAWINGS



TECHNICAL SPECIFICATIONS

SIZE A (MM)	63MM
SIZE B (MM)	N/A
SIZE C (MM)	N/A
SIZE D	N/A
BRAND	AVK
MANUFACTURER WARRANTY	N/A
MAXIMUM PRESSURE	PN16 (16 BAR)
MINIMUM PRESSURE	NOT STATED
MAXIMUM TEMPERATURE (°C)	70°C
MINIMUM TEMPERATURE (°C)	NOT STATED
THREAD PITCH (MM)	N/A
THREAD REACH (MM)	N/A
OPERATING TEMPERATURE (°C)	0 > 70°C

EXTERNAL MATERIAL	CAST IRON POWDER COATED - BLUE(RAL5017) TO SANS 664
INTERNAL MATERIAL	STAINLESS STEEL
STORAGE REQUIREMENTS	CLEAN & DRY
MSDS REQUIRED	N/A
BOX QUANTITY	EACHES

SPECIAL INSTRUCTIONS

LOCALLY PRODUCED CONTENT
LEFT HAND CLOSING VALVE

APPROVALS

SUPERVISOR: STORES

HEAD: ASSETS & SUPPLY CHAIN

HEAD: DEPARTMENT

APPROVALS

STORES STOCK ITEM SPECIFICATION & TECHNICAL DATA SHEET



**BERGRIVIER
MUNICIPALITY**



ITEM NUMBER

WTR-0002013

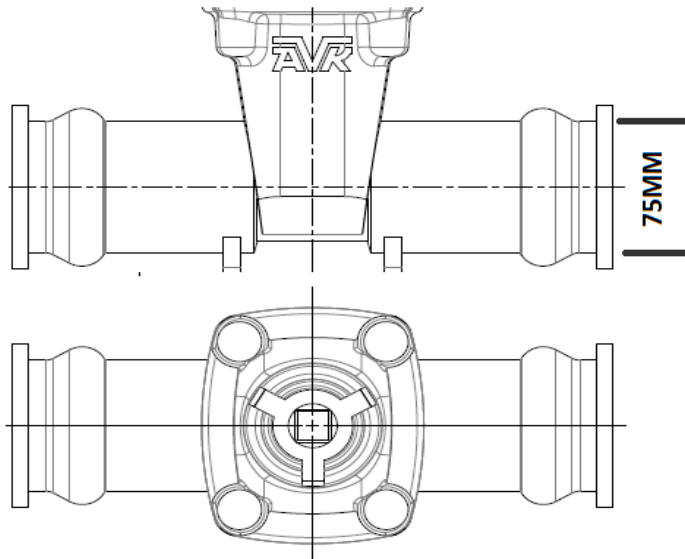
SHORT
DESCRIPTION

GATE VALVE PN16 - DN75 (75MM)

LONG DETAILED
DESCRIPTION

GATE VALVE PN16 - DN75 (75MM)

TECHNICAL DRAWINGS



TECHNICAL SPECIFICATIONS

SIZE A (MM)	75MM
SIZE B (MM)	N/A
SIZE C (MM)	N/A
SIZE D	N/A
BRAND	AVK
MANUFACTURER WARRANTY	N/A
MAXIMUM PRESSURE	PN16 (16 BAR)
MINIMUM PRESSURE	NOT STATED
MAXIMUM TEMPERATURE (°C)	70°C
MINIMUM TEMPERATURE (°C)	NOT STATED
THREAD PITCH (MM)	N/A
THREAD REACH (MM)	N/A
OPERATING TEMPERATURE (°C)	0 > 70°C

EXTERNAL MATERIAL	CAST IRON POWDER COATED - BLUE(RAL5017) TO SANS 664
INTERNAL MATERIAL	STAINLESS STEEL
STORAGE REQUIREMENTS	CLEAN & DRY
MSDS REQUIRED	N/A
BOX QUANTITY	EACHES

SPECIAL INSTRUCTIONS

LOCALLY PRODUCED CONTENT
LEFT HAND CLOSING VALVE

APPROVALS

SUPERVISOR: STORES

HEAD: ASSETS & SUPPLY CHAIN

HEAD: DEPARTMENT

APPROVALS

STORES STOCK ITEM SPECIFICATION & TECHNICAL DATA SHEET



**BERGRIVIER
MUNICIPALITY**



ITEM NUMBER

WTR-0002014

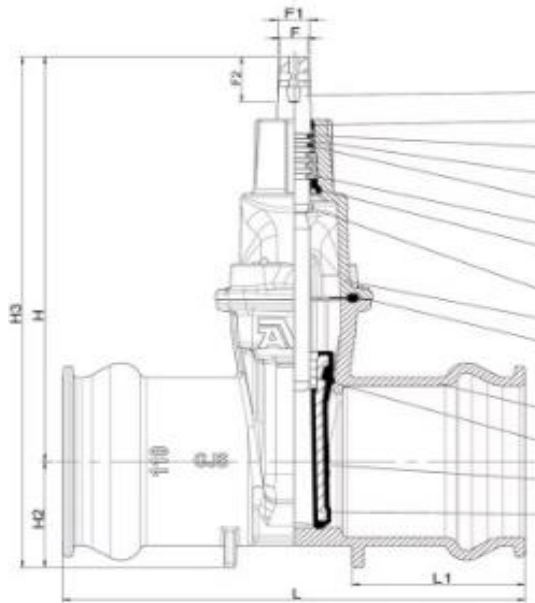
SHORT
DESCRIPTION

GATE VALVE PN16 - DN110 (110MM)

LONG DETAILED
DESCRIPTION

GATE VALVE PN16 - DN110 (110MM)

TECHNICAL DRAWINGS



TECHNICAL SPECIFICATIONS

SIZE A (MM)	110MM
SIZE B (MM)	N/A
SIZE C (MM)	N/A
SIZE D	N/A
BRAND	AVK
MANUFACTURER WARRANTY	N/A
MAXIMUM PRESSURE	PN16 (16 BAR)
MINIMUM PRESSURE	NOT STATED
MAXIMUM TEMPERATURE (°C)	70°C
MINIMUM TEMPERATURE (°C)	NOT STATED
THREAD PITCH (MM)	N/A
THREAD REACH (MM)	N/A
OPERATING TEMPERATURE (°C)	0 > 70°C

EXTERNAL MATERIAL	CAST IRON POWDER COATED - BLUE(RAL5017) TO SANS 664
INTERNAL MATERIAL	STAINLESS STEEL
STORAGE REQUIREMENTS	CLEAN & DRY
MSDS REQUIRED	N/A
BOX QUANTITY	EACHES

SPECIAL INSTRUCTIONS

LOCALLY PRODUCED CONTENT
LEFT HAND CLOSING VALVE

APPROVALS

SUPERVISOR: STORES

HEAD: ASSETS & SUPPLY CHAIN

HEAD: DEPARTMENT

APPROVALS

STORES STOCK ITEM SPECIFICATION & TECHNICAL DATA SHEET



**BERGRIVIER
MUNICIPALITY**



ITEM NUMBER

WTR-0002015

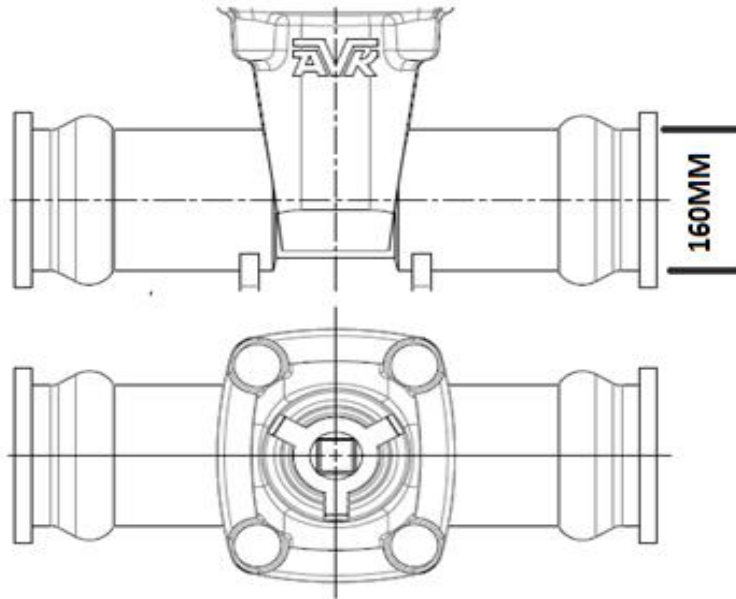
SHORT
DESCRIPTION

GATE VALVE PN16 - DN160 (160MM)

LONG DETAILED
DESCRIPTION

GATE VALVE PN16 - DN160 (160MM)

TECHNICAL DRAWINGS



TECHNICAL SPECIFICATIONS

SIZE A (MM)	160MM
SIZE B (MM)	N/A
SIZE C (MM)	N/A
SIZE D	N/A
BRAND	AVK
MANUFACTURER WARRANTY	N/A
MAXIMUM PRESSURE	PN16 (16 BAR)
MINIMUM PRESSURE	NOT STATED
MAXIMUM TEMPERATURE (°C)	70°C
MINIMUM TEMPERATURE (°C)	NOT STATED
THREAD PITCH (MM)	N/A
THREAD REACH (MM)	N/A
OPERATING TEMPERATURE (°C)	0 > 70°C

EXTERNAL MATERIAL	CAST IRON POWDER COATED - BLUE(RAL5017) TO SANS 664
INTERNAL MATERIAL	STAINLESS STEEL
STORAGE REQUIREMENTS	CLEAN & DRY
MSDS REQUIRED	N/A
BOX QUANTITY	EACHES

SPECIAL INSTRUCTIONS

LOCALLY PRODUCED CONTENT
LEFT HAND CLOSING VALVE

APPROVALS

SUPERVISOR: STORES

HEAD: ASSETS & SUPPLY CHAIN

HEAD: DEPARTMENT

APPROVALS

STORES STOCK ITEM SPECIFICATION & TECHNICAL DATA SHEET

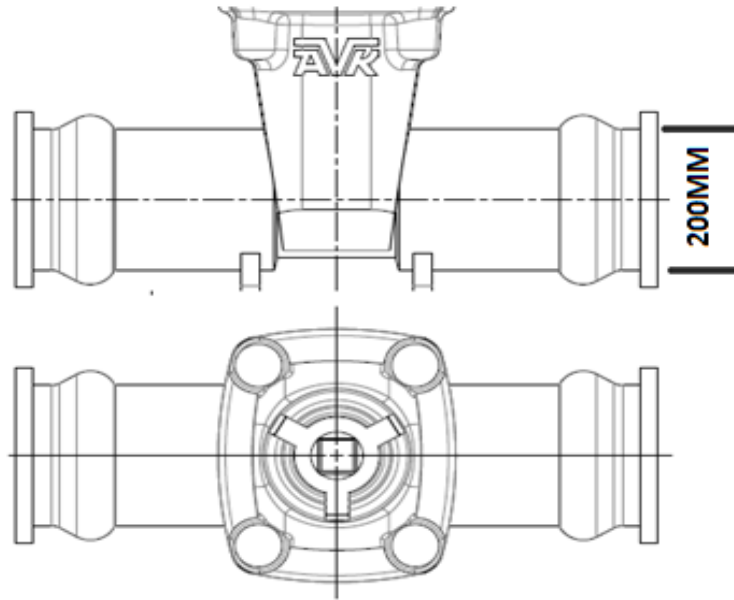


**BERGRIVIER
MUNICIPALITY**



ITEM NUMBER	WTR-0002016
SHORT DESCRIPTION	GATE VALVE PN16 - DN200 (200MM)
LONG DETAILED DESCRIPTION	GATE VALVE PN16 - DN200 (200MM)

TECHNICAL DRAWINGS



TECHNICAL SPECIFICATIONS

SIZE A (MM)	200MM
SIZE B (MM)	N/A
SIZE C (MM)	N/A
SIZE D	N/A
BRAND	AVK
MANUFACTURER WARRANTY	N/A
MAXIMUM PRESSURE	PN16 (16 BAR)
MINIMUM PRESSURE	NOT STATED
MAXIMUM TEMPERATURE (°C)	70°C
MINIMUM TEMPERATURE (°C)	NOT STATED
THREAD PITCH (MM)	N/A
THREAD REACH (MM)	N/A
OPERATING TEMPERATURE (°C)	0 > 70°C

EXTERNAL MATERIAL	CAST IRON POWDER COATED - BLUE(RAL5017) TO SANS 664
INTERNAL MATERIAL	STAINLESS STEEL
STORAGE REQUIREMENTS	CLEAN & DRY
MSDS REQUIRED	N/A
BOX QUANTITY	EACHES

SPECIAL INSTRUCTIONS	
LOCALLY PRODUCED CONTENT	
LEFT HAND CLOSING VALVE	

APPROVALS		
	SUPERVISOR: STORES	HEAD: ASSETS & SUPPLY CHAIN

	APPROVALS
HEAD: DEPARTMENT	

STORES STOCK ITEM SPECIFICATION & TECHNICAL DATA SHEET

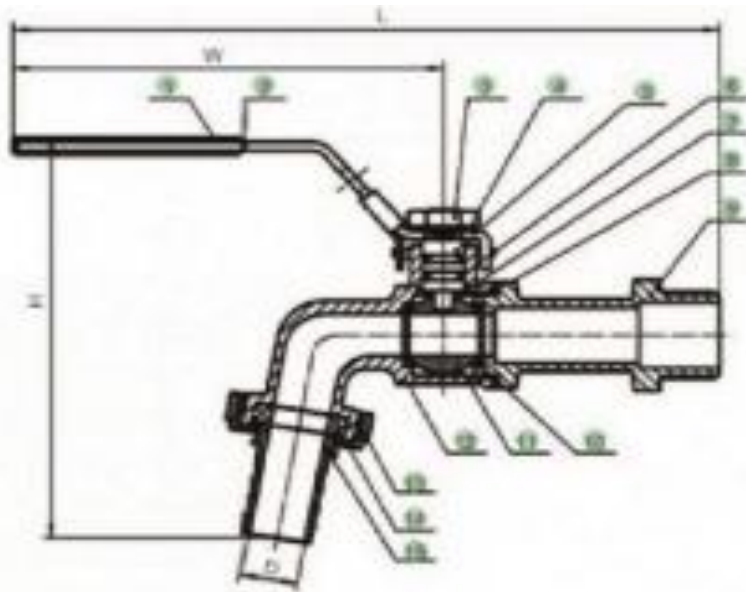


**BERGRIVIER
MUNICIPALITY**



ITEM NUMBER	WTR-0002017
SHORT DESCRIPTION	BIBCOCK & HOSE UNION CHROME 15MM
LONG DETAILED DESCRIPTION	BIBCOCK & HOSE UNION CHROME 15MM

TECHNICAL DRAWINGS



TECHNICAL SPECIFICATIONS

SIZE A (MM)	15MM
SIZE B (MM)	N/A
SIZE C (MM)	N/A
SIZE D	N/A
BRAND	N/A
MANUFACTURER WARRANTY	N/A
MAXIMUM PRESSURE	16 BAR
MINIMUM PRESSURE	0.5 BAR
MAXIMUM TEMPERATURE (°C)	85°C
MINIMUM TEMPERATURE (°C)	-10°C
THREAD PITCH (MM)	N/A
THREAD REACH (MM)	N/A
OPERATING TEMPERATURE (°C)	-10>85

EXTERNAL MATERIAL	Chrome plated Brass/High Polished Mild steel
INTERNAL MATERIAL	Stainless Steel/Brass
STORAGE REQUIREMENTS	CLEAN & DRY
MSDS REQUIRED	N/A
BOX QUANTITY	EACHES

SPECIAL INSTRUCTIONS

APPROVALS

APPROVALS

SUPERVISOR: STORES

HEAD: ASSETS & SUPPLY CHAIN

HEAD: DEPARTMENT

STORES STOCK ITEM SPECIFICATION & TECHNICAL DATA SHEET



**BERGRIVIER
MUNICIPALITY**



ITEM NUMBER

WTR-0002019

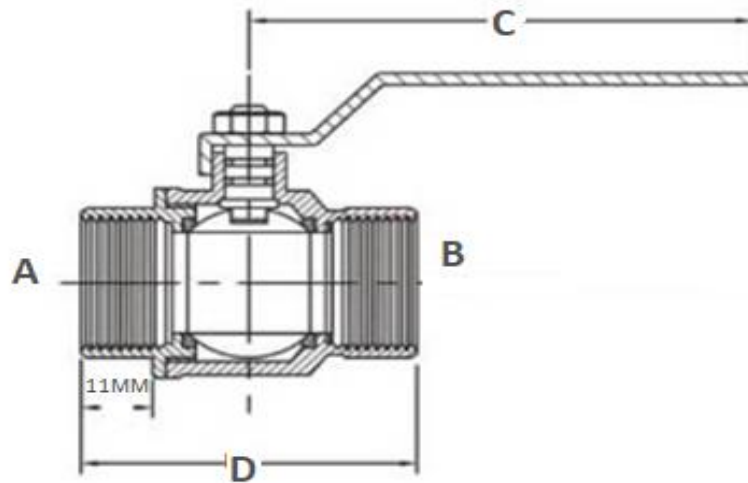
SHORT
DESCRIPTION

BALL VALVE PVC FI X FI 25MM

LONG DETAILED
DESCRIPTION

BALL VALVE PVC FEMALE TO IRON X FEMALE TO IRON 25MM

TECHNICAL DRAWINGS



TECHNICAL SPECIFICATIONS

SIZE A (MM)	½"
SIZE B (MM)	½"
SIZE C (MM)	112MM
SIZE D	N/A
BRAND	UNI-FLO or similar
MANUFACTURER WARRANTY	N/A
MAXIMUM PRESSURE	16 BAR
MINIMUM PRESSURE	0.5 BAR
MAXIMUM TEMPERATURE (°C)	85°C
MINIMUM TEMPERATURE (°C)	-10°C
THREAD PITCH (MM)	N/A
THREAD REACH (MM)	N/A
OPERATING TEMPERATURE (°C)	-10>85

EXTERNAL MATERIAL	NYLON
INTERNAL MATERIAL	Stainless Steel/Brass
STORAGE REQUIREMENTS	CLEAN & DRY
MSDS REQUIRED	N/A
BOX QUANTITY	EACHES

SPECIAL INSTRUCTIONS

APPROVALS

SUPERVISOR: STORES

HEAD: ASSETS & SUPPLY CHAIN

HEAD: DEPARTMENT

APPROVALS

STORES STOCK ITEM SPECIFICATION & TECHNICAL DATA SHEET



**BERGRIVIER
MUNICIPALITY**



ITEM NUMBER

WTR-0002020

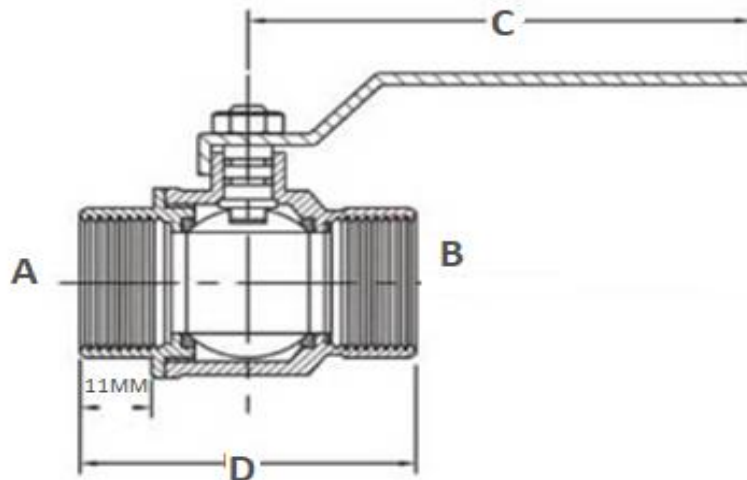
SHORT
DESCRIPTION

BALL VALVE PVC FI X FI 32MM

LONG DETAILED
DESCRIPTION

BALL VALVE PVC FI X FI 32MM

TECHNICAL DRAWINGS



TECHNICAL SPECIFICATIONS

SIZE A (MM)	¾"
SIZE B (MM)	¾"
SIZE C (MM)	112MM
SIZE D	N/A
BRAND	UNI-FLO or similar
MANUFACTURER WARRANTY	N/A
MAXIMUM PRESSURE	16 BAR
MINIMUM PRESSURE	0.5 BAR
MAXIMUM TEMPERATURE (°C)	85°C
MINIMUM TEMPERATURE (°C)	-10°C
THREAD PITCH (MM)	N/A
THREAD REACH (MM)	N/A
OPERATING TEMPERATURE (°C)	-10>85

EXTERNAL MATERIAL	NYLON
INTERNAL MATERIAL	Stainless Steel/Brass
STORAGE REQUIREMENTS	CLEAN & DRY
MSDS REQUIRED	N/A
BOX QUANTITY	EACHES

SPECIAL INSTRUCTIONS

APPROVALS

SUPERVISOR: STORES

HEAD: ASSETS & SUPPLY CHAIN

HEAD: DEPARTMENT

APPROVALS

STORES STOCK ITEM SPECIFICATION & TECHNICAL DATA SHEET



**BERGRIVIER
MUNICIPALITY**



ITEM NUMBER

WTR-0002021

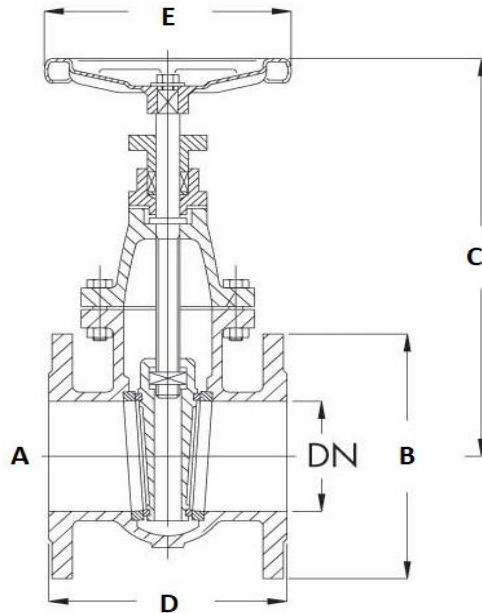
SHORT
DESCRIPTION

GATE VALVE PN16 - DN150 (150MM) FLANGED

LONG DETAILED
DESCRIPTION

GATE VALVE PN16 - DN150 (150MM) FLANGED

TECHNICAL DRAWINGS



TECHNICAL SPECIFICATIONS

SIZE A (MM)	150mm
SIZE B (MM)	N/A
SIZE C (MM)	N/A
SIZE D	N/A
BRAND	AVK/UNI-FLO or similar
MANUFACTURER WARRANTY	N/A
MAXIMUM PRESSURE	PN16 (16 BAR)
MINIMUM PRESSURE	NOT STATED
MAXIMUM TEMPERATURE (°C)	70°C
MINIMUM TEMPERATURE (°C)	NOT STATED
THREAD PITCH (MM)	N/A
THREAD REACH (MM)	N/A
OPERATING TEMPERATURE (°C)	0 > 70°C

EXTERNAL MATERIAL	CAST IRON POWDER COATED - BLUE(RAL5017) TO SANS 664
INTERNAL MATERIAL	STAINLESS STEEL
STORAGE REQUIREMENTS	CLEAN & DRY
MSDS REQUIRED	N/A
BOX QUANTITY	EACHES

SPECIAL INSTRUCTIONS

APPROVALS

SUPERVISOR: STORES

HEAD: ASSETS & SUPPLY CHAIN

HEAD: DEPARTMENT

APPROVALS

STORES STOCK ITEM SPECIFICATION & TECHNICAL DATA SHEET



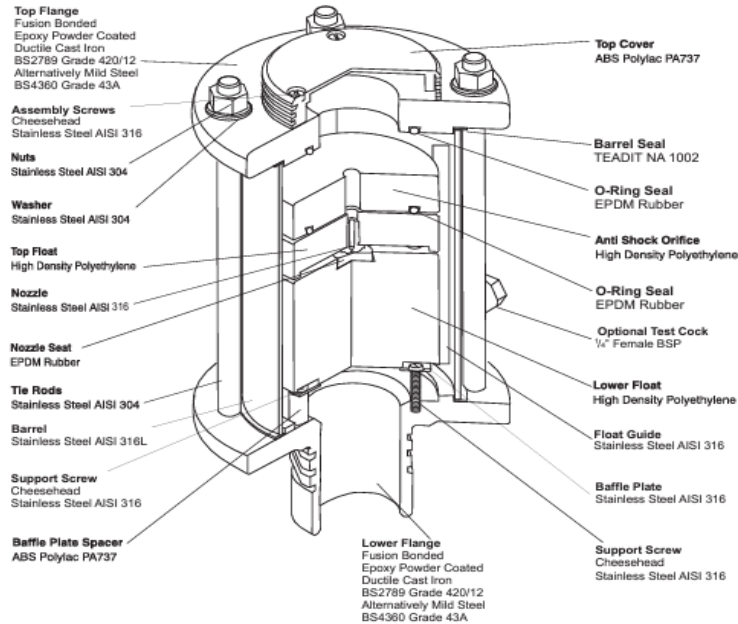
**BERGRIVIER
MUNICIPALITY**



ITEM NUMBER	WTR-0002022
SHORT DESCRIPTION	50MM VARIANT AIR RELEASE/VACUUM BREAK VALVE
LONG DETAILED DESCRIPTION	50MM VARIANT AIR RELEASE/VACUUM BREAK VALVE

TECHNICAL DRAWINGS

TECHNICAL SPECIFICATIONS



SIZE A (MM)	DN25/50
SIZE B (MM)	N/A
SIZE C (MM)	N/A
SIZE D	N/A
BRAND	AVANG
MANUFACTURER WARRANTY	N/A
MAXIMUM PRESSURE	N/A
MINIMUM PRESSURE	N/A
MAXIMUM TEMPERATURE (°C)	N/A
MINIMUM TEMPERATURE (°C)	N/A
THREAD PITCH (MM)	N/A
THREAD REACH (MM)	N/A
OPERATING TEMPERATURE (°C)	N/A

EXTERNAL MATERIAL	STAINLESS STEEL
INTERNAL MATERIAL	STAINLESS STEEL & HDPE
STORAGE REQUIREMENTS	CLEAN & DRY
MSDS REQUIRED	N/A
BOX QUANTITY	EACH

SPECIAL INSTRUCTIONS	

APPROVALS		
	SUPERVISOR: STORES	HEAD: ASSETS & SUPPLY CHAIN

APPROVALS	
	HEAD: DEPARTMENT

STORES STOCK ITEM SPECIFICATION & TECHNICAL DATA SHEET



**BERGRIVIER
MUNICIPALITY**

ITEM NUMBER

WTR-0002023

SHORT
DESCRIPTION

DZ WATERTITE TAP - 15MM

LONG DETAILED
DESCRIPTION

DZ WATERTITE TAP - 15MM

TECHNICAL DRAWINGS

TECHNICAL SPECIFICATIONS

SIZE A (MM)

SIZE B (MM)

SIZE C (MM)

SIZE D

BRAND

MANUFACTURER WARRANTY

MAXIMUM PRESSURE

MINIMUM PRESSURE

MAXIMUM TEMPERATURE (°C)

MINIMUM TEMPERATURE (°C)

THREAD PITCH (MM)

THREAD REACH (MM)

OPERATING TEMPERATURE (°C)

EXTERNAL MATERIAL

INTERNAL MATERIAL

STORAGE REQUIREMENTS

MSDS REQUIRED

BOX QUANTITY

SPECIAL INSTRUCTIONS

APPROVALS

APPROVALS

SUPERVISOR: STORES

HEAD: ASSETS & SUPPLY CHAIN

HEAD: DEPARTMENT

STORES STOCK ITEM SPECIFICATION & TECHNICAL DATA SHEET



**BERGRIVIER
MUNICIPALITY**



ITEM NUMBER	WTR-0002024
SHORT DESCRIPTION	PLASTIC STOP TAP - 15MM
LONG DETAILED DESCRIPTION	PLASTIC STOP TAP - 15MM

TECHNICAL DRAWINGS

TECHNICAL SPECIFICATIONS

SIZE A (MM)	15
SIZE B (MM)	15
SIZE C (MM)	N/A
SIZE D	N/A
BRAND	N/A
MANUFACTURER WARRANTY	N/A
MAXIMUM PRESSURE	16 BAR
MINIMUM PRESSURE	0.5 BAR
MAXIMUM TEMPERATURE (°C)	85°C
MINIMUM TEMPERATURE (°C)	-10°C
THREAD PITCH (MM)	N/A
THREAD REACH (MM)	N/A
OPERATING TEMPERATURE (°C)	-10>85

EXTERNAL MATERIAL	PVC
INTERNAL MATERIAL	PVC
STORAGE REQUIREMENTS	CLEAN & DRY
MSDS REQUIRED	N/A
BOX QUANTITY	EACH

SPECIAL INSTRUCTIONS

APPROVALS				APPROVALS
	SUPERVISOR: STORES	HEAD: ASSETS & SUPPLY CHAIN	HEAD: DEPARTMENT	

STORES STOCK ITEM SPECIFICATION & TECHNICAL DATA SHEET

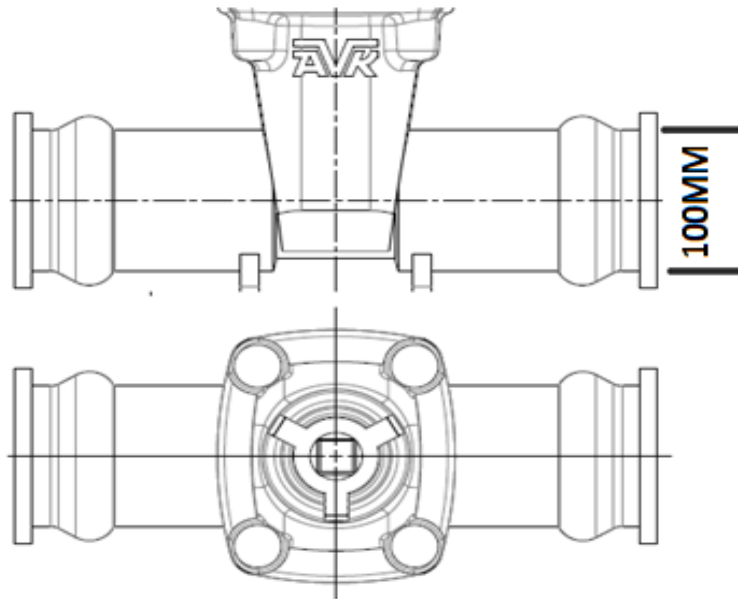


**BERGRIVIER
MUNICIPALITY**



ITEM NUMBER	WTR-0002025
SHORT DESCRIPTION	GATE VALVE PN16 - DN100 (100MM)
LONG DETAILED DESCRIPTION	GATE VALVE PN16 - DN100 (100MM)

TECHNICAL DRAWINGS



TECHNICAL SPECIFICATIONS

SIZE A (MM)	100MM
SIZE B (MM)	N/A
SIZE C (MM)	N/A
SIZE D	N/A
BRAND	AVK
MANUFACTURER WARRANTY	N/A
MAXIMUM PRESSURE	PN16 (16 BAR)
MINIMUM PRESSURE	NOT STATED
MAXIMUM TEMPERATURE (°C)	70°C
MINIMUM TEMPERATURE (°C)	NOT STATED
THREAD PITCH (MM)	N/A
THREAD REACH (MM)	N/A
OPERATING TEMPERATURE (°C)	0 > 70°C

EXTERNAL MATERIAL	CAST IRON POWDER COATED - BLUE(RAL5017) TO SANS 664
INTERNAL MATERIAL	STAINLESS STEEL
STORAGE REQUIREMENTS	CLEAN & DRY
MSDS REQUIRED	N/A
BOX QUANTITY	EACHES

SPECIAL INSTRUCTIONS	

APPROVALS		
	SUPERVISOR: STORES	HEAD: ASSETS & SUPPLY CHAIN

	APPROVALS
HEAD: DEPARTMENT	

STORES STOCK ITEM SPECIFICATION & TECHNICAL DATA SHEET



**BERGRIVIER
MUNICIPALITY**



ITEM NUMBER

WTR-0002026

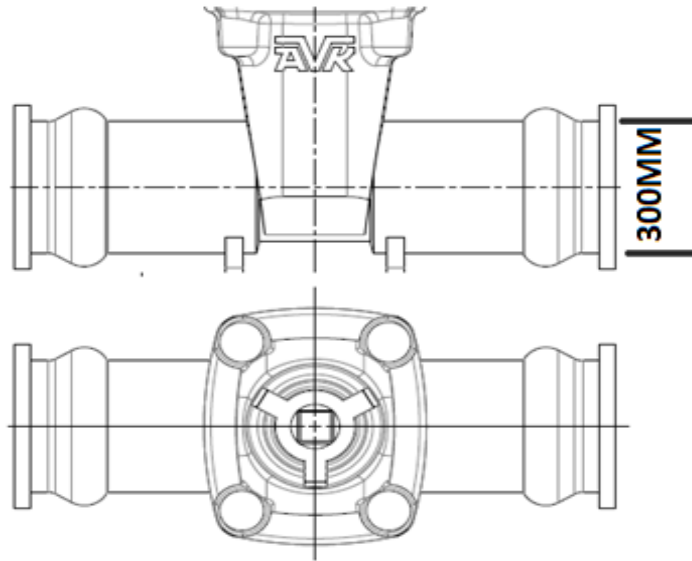
SHORT
DESCRIPTION

GATE VALVE PN16 - DN300 (300MM)

LONG DETAILED
DESCRIPTION

GATE VALVE PN16 - DN300 (300MM)

TECHNICAL DRAWINGS



TECHNICAL SPECIFICATIONS

SIZE A (MM)	300MM
SIZE B (MM)	N/A
SIZE C (MM)	N/A
SIZE D	N/A
BRAND	AVK
MANUFACTURER WARRANTY	N/A
MAXIMUM PRESSURE	PN16 (16 BAR)
MINIMUM PRESSURE	NOT STATED
MAXIMUM TEMPERATURE (°C)	70°C
MINIMUM TEMPERATURE (°C)	NOT STATED
THREAD PITCH (MM)	N/A
THREAD REACH (MM)	N/A
OPERATING TEMPERATURE (°C)	0 > 70°C

EXTERNAL MATERIAL	CAST IRON POWDER COATED - BLUE(RAL5017) TO SANS 664
INTERNAL MATERIAL	STAINLESS STEEL
STORAGE REQUIREMENTS	CLEAN & DRY
MSDS REQUIRED	N/A
BOX QUANTITY	EACHES

SPECIAL INSTRUCTIONS

APPROVALS

APPROVALS

SUPERVISOR: STORES

HEAD: ASSETS & SUPPLY CHAIN

HEAD: DEPARTMENT

STORES STOCK ITEM SPECIFICATION & TECHNICAL DATA SHEET



**BERGRIVIER
MUNICIPALITY**



ITEM NUMBER

WTR-0002027

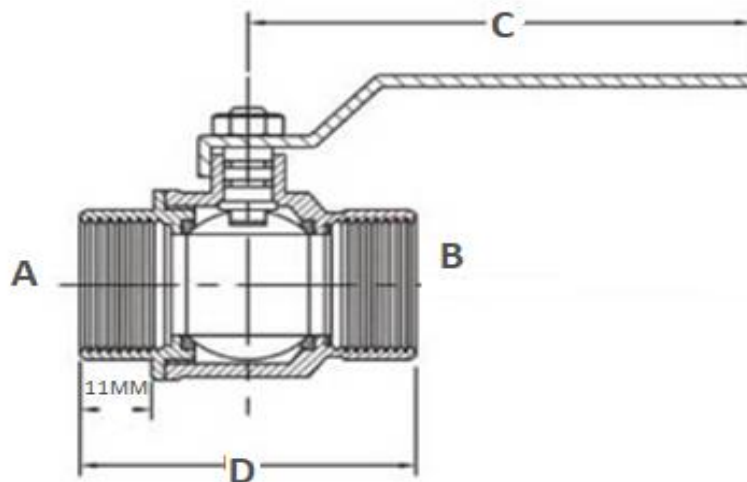
SHORT
DESCRIPTION

BALL VALVE NYLON FI X FI 15MM

LONG DETAILED
DESCRIPTION

BALL VALVE NYLON FI X FI 32MM

TECHNICAL DRAWINGS



TECHNICAL SPECIFICATIONS

SIZE A (MM)	½"
SIZE B (MM)	½"
SIZE C (MM)	112MM
SIZE D	N/A
BRAND	UNI-FLO or similar
MANUFACTURER WARRANTY	N/A
MAXIMUM PRESSURE	16 BAR
MINIMUM PRESSURE	0.5 BAR
MAXIMUM TEMPERATURE (°C)	85°C
MINIMUM TEMPERATURE (°C)	-10°C
THREAD PITCH (MM)	N/A
THREAD REACH (MM)	N/A
OPERATING TEMPERATURE (°C)	-10>85

EXTERNAL MATERIAL	NYLON
INTERNAL MATERIAL	Stainless Steel/Brass
STORAGE REQUIREMENTS	CLEAN & DRY
MSDS REQUIRED	N/A
BOX QUANTITY	EACHES

SPECIAL INSTRUCTIONS

APPROVALS

SUPERVISOR: STORES

HEAD: ASSETS & SUPPLY CHAIN

HEAD: DEPARTMENT

APPROVALS

STORES STOCK ITEM SPECIFICATION & TECHNICAL DATA SHEET

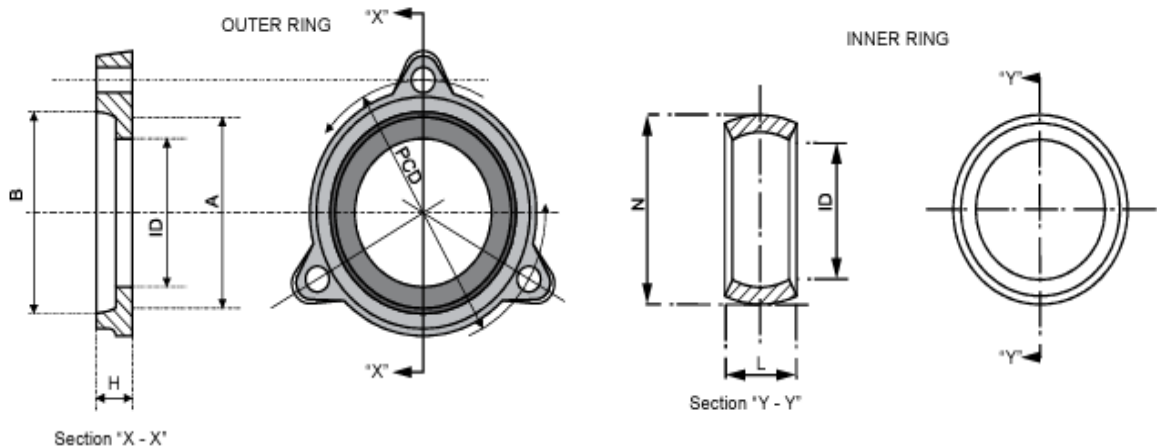


**BERGRIVIER
MUNICIPALITY**



ITEM NUMBER	WTR-0003001
SHORT DESCRIPTION	SHORT COLLAR - 50
LONG DETAILED DESCRIPTION	SHORT COLLAR - 50

TECHNICAL DRAWINGS



TECHNICAL SPECIFICATIONS

OUTER ID SIZE	72
SIZE B (MM) OUTER	99
SIZE N (MM) INNER	90
INNER ID SIZE	73
BRAND	KLINGER/SANSPAR
MANUFACTURER WARRANTY	N/A
MAXIMUM PRESSURE	N/A
MINIMUM PRESSURE	N/A
MAXIMUM TEMPERATURE (°C)	N/A
MINIMUM TEMPERATURE (°C)	N/A
THREAD PITCH (MM)	N/A
THREAD REACH (MM)	N/A
OPERATING TEMPERATURE (°C)	N/A
BOLT SIZE	M16 X 90 X 30

EXTERNAL MATERIAL	CAST IRON - POWDERCOATED
INTERNAL MATERIAL	CAST IRON - POWDERCOATED
STORAGE REQUIREMENTS	CLEAR & DRY
MSDS REQUIRED	N/A
BOX QUANTITY	EACH

SPECIAL INSTRUCTIONS	

APPROVALS		
	SUPERVISOR: STORES	HEAD: ASSETS & SUPPLY CHAIN

	APPROVALS
HEAD: DEPARTMENT	

STORES STOCK ITEM SPECIFICATION & TECHNICAL DATA SHEET

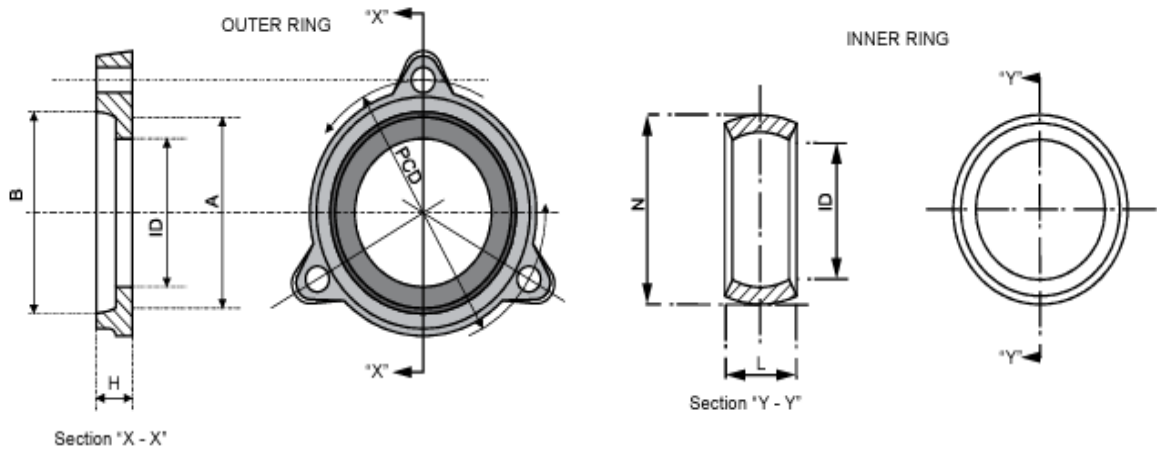


**BERGRIVIER
MUNICIPALITY**



ITEM NUMBER	WTR-0003002
SHORT DESCRIPTION	SHORT COLLAR - 75
LONG DETAILED DESCRIPTION	SHORT COLLAR - 75

TECHNICAL DRAWINGS



TECHNICAL SPECIFICATIONS

OUTER ID SIZE	72
SIZE B (MM) OUTER	127
SIZE N (MM) INNER	117
INNER ID SIZE	73
BRAND	KLINGER/SANSPAR
MANUFACTURER WARRANTY	N/A
MAXIMUM PRESSURE	N/A
MINIMUM PRESSURE	N/A
MAXIMUM TEMPERATURE (°C)	N/A
MINIMUM TEMPERATURE (°C)	N/A
THREAD PITCH (MM)	N/A
THREAD REACH (MM)	N/A
OPERATING TEMPERATURE (°C)	N/A
BOLT SIZE	M16 X 90 X 30

EXTERNAL MATERIAL	CAST IRON - POWDERCOATED
INTERNAL MATERIAL	CAST IRON - POWDERCOATED
STORAGE REQUIREMENTS	CLEAR & DRY
MSDS REQUIRED	N/A
BOX QUANTITY	EACH

SPECIAL INSTRUCTIONS

APPROVALS

APPROVALS

SUPERVISOR: STORES

HEAD: ASSETS & SUPPLY CHAIN

HEAD: DEPARTMENT

STORES STOCK ITEM SPECIFICATION & TECHNICAL DATA SHEET

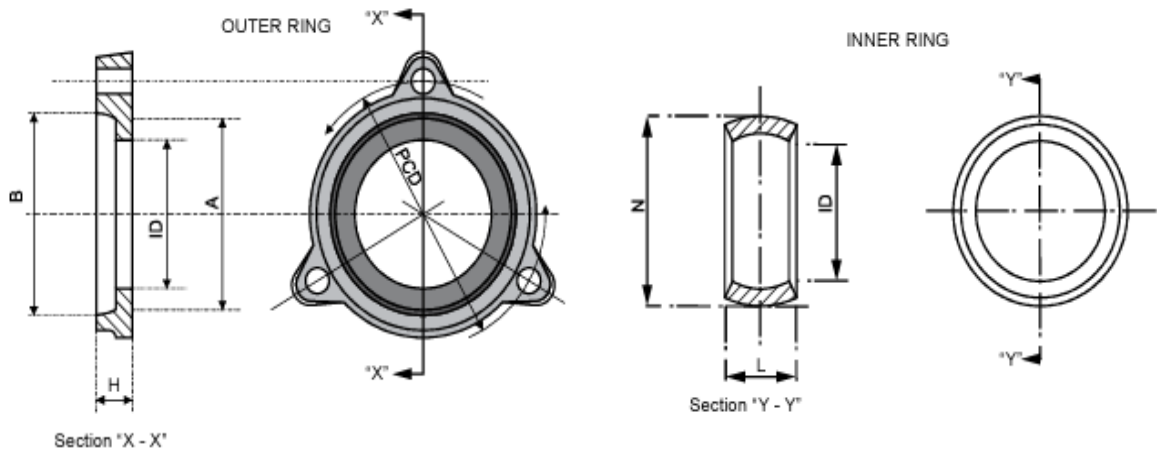


**BERGRIVIER
MUNICIPALITY**



ITEM NUMBER	WTR-0003003
SHORT DESCRIPTION	SHORT COLLAR - 100
LONG DETAILED DESCRIPTION	SHORT COLLAR - 100

TECHNICAL DRAWINGS



TECHNICAL SPECIFICATIONS

OUTER ID SIZE	125
SIZE B (MM) OUTER	147
SIZE N (MM) INNER	144
INNER ID SIZE	125
BRAND	KLINGER/SANSPAR
MANUFACTURER WARRANTY	N/A
MAXIMUM PRESSURE	N/A
MINIMUM PRESSURE	N/A
MAXIMUM TEMPERATURE (°C)	N/A
MINIMUM TEMPERATURE (°C)	N/A
THREAD PITCH (MM)	N/A
THREAD REACH (MM)	N/A
OPERATING TEMPERATURE (°C)	N/A
BOLT SIZE	M16 X 110 X 40

EXTERNAL MATERIAL	CAST IRON - POWDERCOATED
INTERNAL MATERIAL	CAST IRON - POWDERCOATED
STORAGE REQUIREMENTS	CLEAR & DRY
MSDS REQUIRED	N/A
BOX QUANTITY	EACH

SPECIAL INSTRUCTIONS

APPROVALS

APPROVALS

SUPERVISOR: STORES

HEAD: ASSETS & SUPPLY CHAIN

HEAD: DEPARTMENT

STORES STOCK ITEM SPECIFICATION & TECHNICAL DATA SHEET

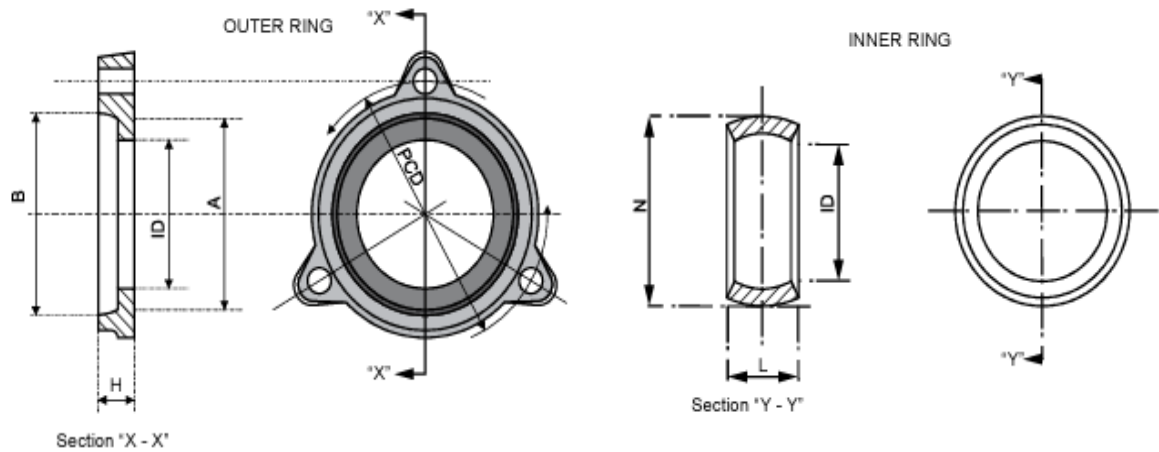


**BERGRIVIER
MUNICIPALITY**



ITEM NUMBER	WTR-0003004
SHORT DESCRIPTION	SHORT COLLAR - 125
LONG DETAILED DESCRIPTION	SHORT COLLAR - 125

TECHNICAL DRAWINGS



TECHNICAL SPECIFICATIONS

OUTER ID SIZE	153
SIZE B (MM) OUTER	177
SIZE N (MM) INNER	175
INNER ID SIZE	154
BRAND	KLINGER/SANSPAR
MANUFACTURER WARRANTY	N/A
MAXIMUM PRESSURE	N/A
MINIMUM PRESSURE	N/A
MAXIMUM TEMPERATURE (°C)	N/A
MINIMUM TEMPERATURE (°C)	N/A
THREAD PITCH (MM)	N/A
THREAD REACH (MM)	N/A
OPERATING TEMPERATURE (°C)	N/A
BOLT SIZE	M16 X 110 X 40

EXTERNAL MATERIAL	CAST IRON - POWDERCOATED
INTERNAL MATERIAL	CAST IRON - POWDERCOATED
STORAGE REQUIREMENTS	CLEAR & DRY
MSDS REQUIRED	N/A
BOX QUANTITY	EACH

SPECIAL INSTRUCTIONS	

APPROVALS			
	SUPERVISOR: STORES	HEAD: ASSETS & SUPPLY CHAIN	HEAD: DEPARTMENT

APPROVALS	

STORES STOCK ITEM SPECIFICATION & TECHNICAL DATA SHEET

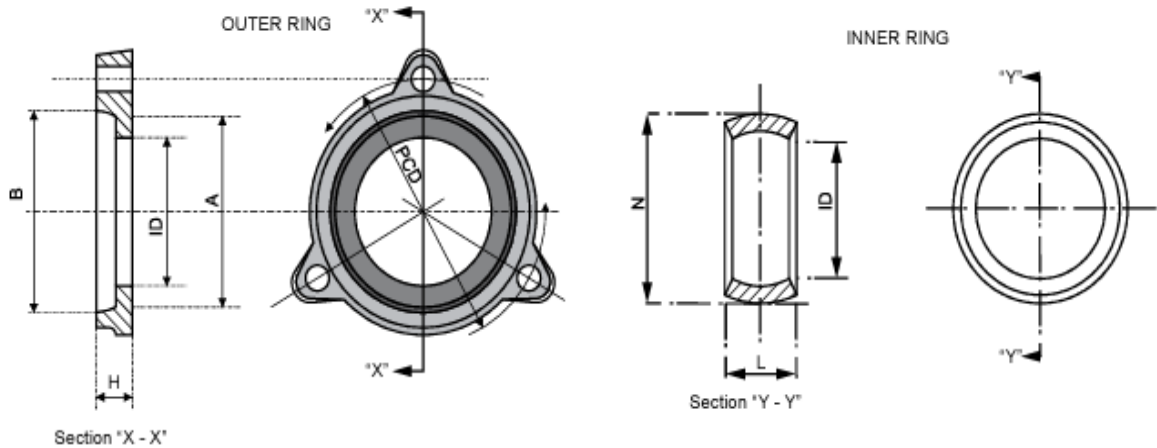


**BERGRIVIER
MUNICIPALITY**



ITEM NUMBER	WTR-0003005
SHORT DESCRIPTION	SHORT COLLAR - 150
LONG DETAILED DESCRIPTION	SHORT COLLAR - 150

TECHNICAL DRAWINGS



TECHNICAL SPECIFICATIONS

OUTER ID SIZE	180
SIZE B (MM) OUTER	215
SIZE N (MM) INNER	207
INNER ID SIZE	180
BRAND	KLINGER/SANSPAR
MANUFACTURER WARRANTY	N/A
MAXIMUM PRESSURE	N/A
MINIMUM PRESSURE	N/A
MAXIMUM TEMPERATURE (°C)	N/A
MINIMUM TEMPERATURE (°C)	N/A
THREAD PITCH (MM)	N/A
THREAD REACH (MM)	N/A
OPERATING TEMPERATURE (°C)	N/A
BOLT SIZE	M16 X 140 X 45

EXTERNAL MATERIAL	CAST IRON - POWDERCOATED
INTERNAL MATERIAL	CAST IRON - POWDERCOATED
STORAGE REQUIREMENTS	CLEAR & DRY
MSDS REQUIRED	N/A
BOX QUANTITY	EACH

SPECIAL INSTRUCTIONS	

APPROVALS		
	SUPERVISOR: STORES	HEAD: ASSETS & SUPPLY CHAIN

APPROVALS	
	HEAD: DEPARTMENT

STORES STOCK ITEM SPECIFICATION & TECHNICAL DATA SHEET

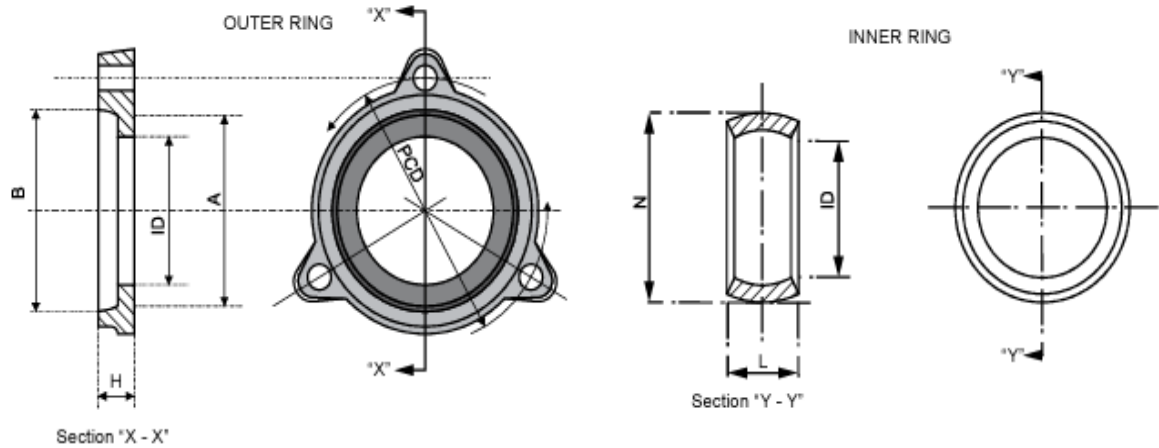


**BERGRIVIER
MUNICIPALITY**



ITEM NUMBER	WTR-0003006
SHORT DESCRIPTION	SHORT COLLAR - 200
LONG DETAILED DESCRIPTION	SHORT COLLAR - 200

TECHNICAL DRAWINGS



TECHNICAL SPECIFICATIONS

OUTER ID SIZE	237
SIZE B (MM) OUTER	265
SIZE N (MM) INNER	237
INNER ID SIZE	261
BRAND	KLINGER/SANSPAR
MANUFACTURER WARRANTY	N/A
MAXIMUM PRESSURE	N/A
MINIMUM PRESSURE	N/A
MAXIMUM TEMPERATURE (°C)	N/A
MINIMUM TEMPERATURE (°C)	N/A
THREAD PITCH (MM)	N/A
THREAD REACH (MM)	N/A
OPERATING TEMPERATURE (°C)	N/A
BOLT SIZE	M16 X 140 X 45

EXTERNAL MATERIAL	CAST IRON - POWDERCOATED
INTERNAL MATERIAL	CAST IRON - POWDERCOATED
STORAGE REQUIREMENTS	CLEAR & DRY
MSDS REQUIRED	N/A
BOX QUANTITY	EACH

SPECIAL INSTRUCTIONS	

APPROVALS		
	SUPERVISOR: STORES	HEAD: ASSETS & SUPPLY CHAIN

	APPROVALS
HEAD: DEPARTMENT	

STORES STOCK ITEM SPECIFICATION & TECHNICAL DATA SHEET

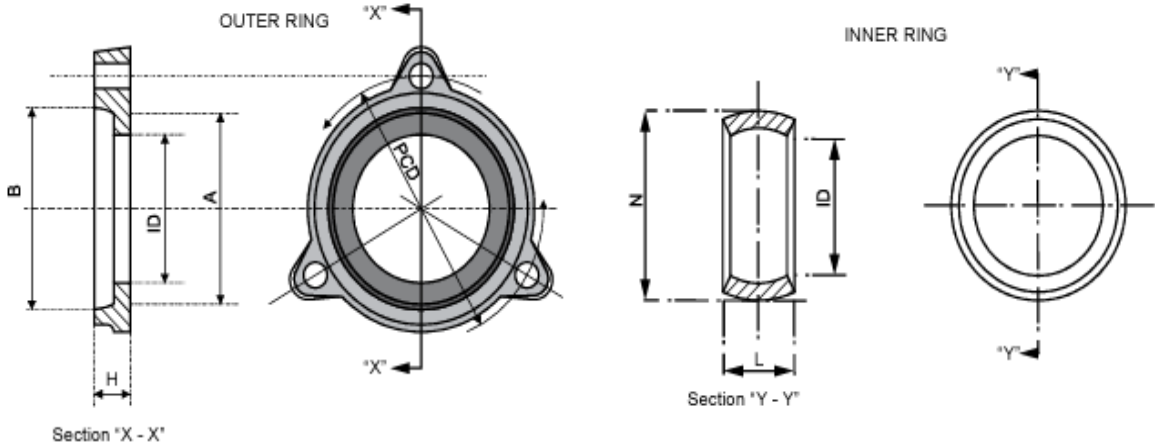


**BERGRIVIER
MUNICIPALITY**



ITEM NUMBER	WTR-0003007
SHORT DESCRIPTION	SHORT COLLAR - 300
LONG DETAILED DESCRIPTION	SHORT COLLAR - 300

TECHNICAL DRAWINGS



TECHNICAL SPECIFICATIONS

OUTER ID SIZE	350
SIZE B (MM) OUTER	384
SIZE N (MM) INNER	379
INNER ID SIZE	351
BRAND	KLINGER/SANSPAR
MANUFACTURER WARRANTY	N/A
MAXIMUM PRESSURE	N/A
MINIMUM PRESSURE	N/A
MAXIMUM TEMPERATURE (°C)	N/A
MINIMUM TEMPERATURE (°C)	N/A
THREAD PITCH (MM)	N/A
THREAD REACH (MM)	N/A
OPERATING TEMPERATURE (°C)	N/A
BOLT SIZE	M16 X 165 X 45

EXTERNAL MATERIAL	CAST IRON - POWDERCOATED
INTERNAL MATERIAL	CAST IRON - POWDERCOATED
STORAGE REQUIREMENTS	CLEAR & DRY
MSDS REQUIRED	N/A
BOX QUANTITY	EACH

SPECIAL INSTRUCTIONS	

APPROVALS		
	SUPERVISOR: STORES	HEAD: ASSETS & SUPPLY CHAIN

	HEAD: DEPARTMENT	APPROVALS

STORES STOCK ITEM SPECIFICATION & TECHNICAL DATA SHEET



**BERGRIVIER
MUNICIPALITY**



ITEM NUMBER

WTR-0004001

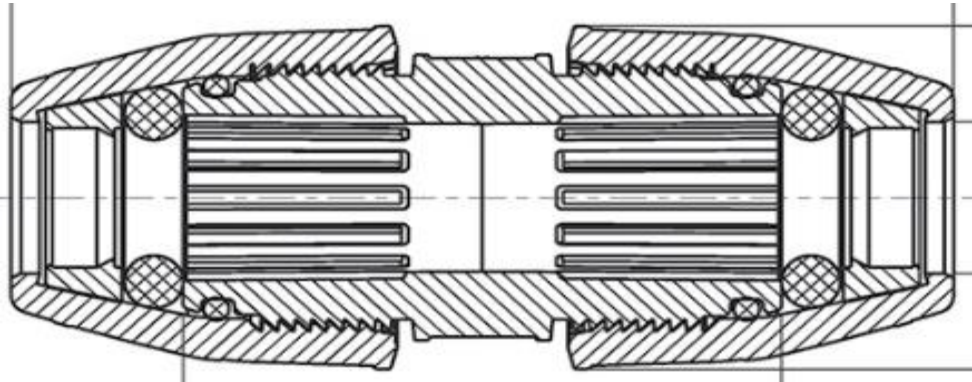
SHORT
DESCRIPTION

HDPE COMP COUPLER CXC - 20MM

LONG DETAILED
DESCRIPTION

HIGH DENSITY POLYETHYLENE COMPRESSION COUPLER C X C - 20MM

TECHNICAL DRAWINGS



TECHNICAL SPECIFICATIONS

SIZE A (MM)	20MM
SIZE B (MM)	N/A
SIZE C (MM)	N/A
SIZE D	N/A
BRAND	N/A
MANUFACTURER WARRANTY	N/A
MAXIMUM PRESSURE	N/A
MINIMUM PRESSURE	N/A
MAXIMUM TEMPERATURE (°C)	N/A
MINIMUM TEMPERATURE (°C)	N/A
THREAD PITCH (MM)	N/A
THREAD REACH (MM)	N/A
OPERATING TEMPERATURE (°C)	N/A

EXTERNAL MATERIAL	HIGH DENSITY POLYETHYLENE
INTERNAL MATERIAL	HIGH DENSITY POLYETHYLENE
STORAGE REQUIREMENTS	CLEAN & DRY
MSDS REQUIRED	N/A
BOX QUANTITY	EACH

SPECIAL INSTRUCTIONS

APPROVALS

SUPERVISOR: STORES

HEAD: ASSETS & SUPPLY CHAIN

HEAD: DEPARTMENT

APPROVALS

STORES STOCK ITEM SPECIFICATION & TECHNICAL DATA SHEET



**BERGRIVIER
MUNICIPALITY**



ITEM NUMBER

WTR-0004002

SHORT
DESCRIPTION

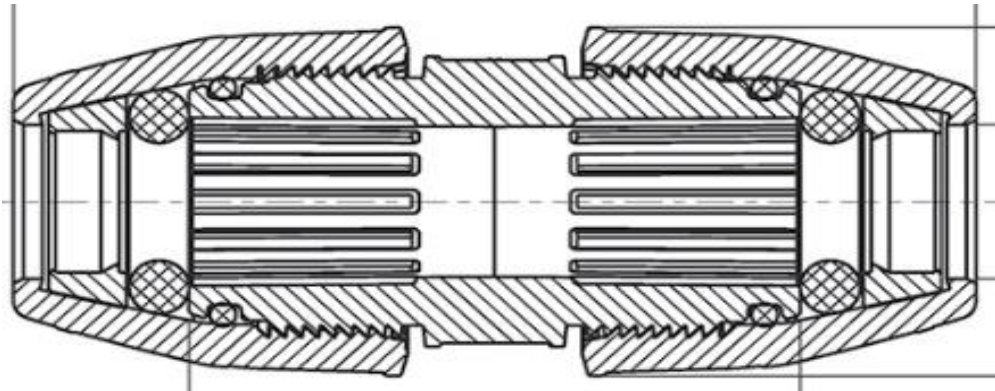
HDPE COMP COUPLER CXC - 25MM

LONG DETAILED
DESCRIPTION

HIGH-DENSITY POLYTHYLENE COMP COUPLER C X C - 25MM

TECHNICAL DRAWINGS

TECHNICAL SPECIFICATIONS



SIZE A (MM)	25MM
SIZE B (MM)	N/A
SIZE C (MM)	N/A
SIZE D	N/A
BRAND	N/A
MANUFACTURER WARRANTY	N/A
MAXIMUM PRESSURE	N/A
MINIMUM PRESSURE	N/A
MAXIMUM TEMPERATURE (°C)	N/A
MINIMUM TEMPERATURE (°C)	N/A
THREAD PITCH (MM)	N/A
THREAD REACH (MM)	N/A
OPERATING TEMPERATURE (°C)	N/A

EXTERNAL MATERIAL	HIGH DENSITY POLYETHYLENE
INTERNAL MATERIAL	HIGH DENSITY POLYETHYLENE
STORAGE REQUIREMENTS	CLEAN & DRY
MSDS REQUIRED	N/A
BOX QUANTITY	EACH

SPECIAL INSTRUCTIONS

APPROVALS

SUPERVISOR: STORES

HEAD: ASSETS & SUPPLY CHAIN

HEAD: DEPARTMENT

APPROVALS

STORES STOCK ITEM SPECIFICATION & TECHNICAL DATA SHEET



**BERGRIVIER
MUNICIPALITY**



ITEM NUMBER

WTR-0004003

SHORT
DESCRIPTION

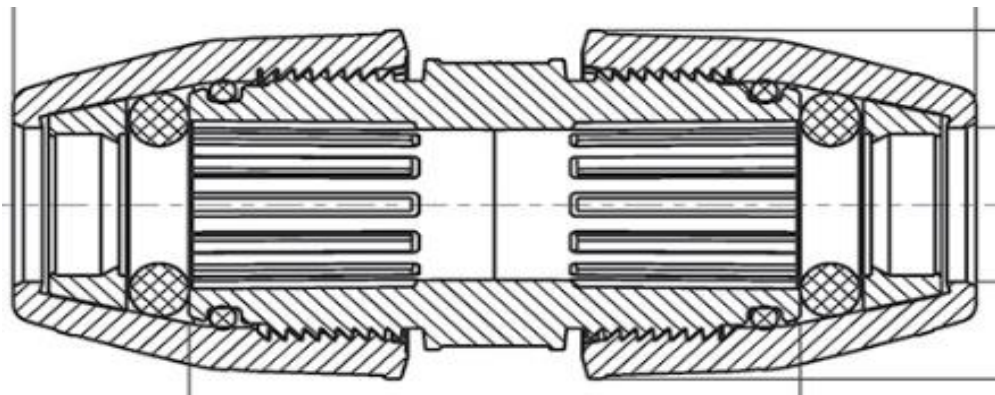
HDPE COMP COUPLER CXC - 50MM

LONG DETAILED
DESCRIPTION

HIGH-DENSITY POLYTHYLENE COMP COUPLER C X C - 50MM

TECHNICAL DRAWINGS

TECHNICAL SPECIFICATIONS



SIZE A (MM)	50MM
SIZE B (MM)	N/A
SIZE C (MM)	N/A
SIZE D	N/A
BRAND	N/A
MANUFACTURER WARRANTY	N/A
MAXIMUM PRESSURE	N/A
MINIMUM PRESSURE	N/A
MAXIMUM TEMPERATURE (°C)	N/A
MINIMUM TEMPERATURE (°C)	N/A
THREAD PITCH (MM)	N/A
THREAD REACH (MM)	N/A
OPERATING TEMPERATURE (°C)	N/A

EXTERNAL MATERIAL	HIGH DENSITY POLYETHYLENE
INTERNAL MATERIAL	HIGH DENSITY POLYETHYLENE
STORAGE REQUIREMENTS	CLEAN & DRY
MSDS REQUIRED	N/A
BOX QUANTITY	EACH

SPECIAL INSTRUCTIONS

APPROVALS

SUPERVISOR: STORES

HEAD: ASSETS & SUPPLY CHAIN

HEAD: DEPARTMENT

APPROVALS

STORES STOCK ITEM SPECIFICATION & TECHNICAL DATA SHEET

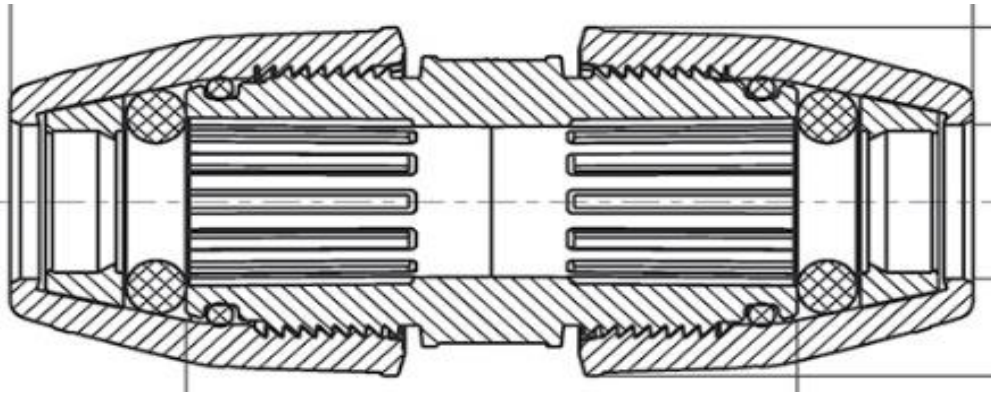


**BERGRIVIER
MUNICIPALITY**



ITEM NUMBER	WTR-0004004
SHORT DESCRIPTION	HDPE COMP COUPLER CXC - 63MM
LONG DETAILED DESCRIPTION	HIGH-DENSITY POLYTHYLENE COMP COUPLER C X C - 63MM

TECHNICAL DRAWINGS



TECHNICAL SPECIFICATIONS

SIZE A (MM)	63MM
SIZE B (MM)	N/A
SIZE C (MM)	N/A
SIZE D	N/A
BRAND	N/A
MANUFACTURER WARRANTY	N/A
MAXIMUM PRESSURE	N/A
MINIMUM PRESSURE	N/A
MAXIMUM TEMPERATURE (°C)	N/A
MINIMUM TEMPERATURE (°C)	N/A
THREAD PITCH (MM)	N/A
THREAD REACH (MM)	N/A
OPERATING TEMPERATURE (°C)	N/A

EXTERNAL MATERIAL	HIGH DENSITY POLYETHYLENE
INTERNAL MATERIAL	HIGH DENSITY POLYETHYLENE
STORAGE REQUIREMENTS	CLEAN & DRY
MSDS REQUIRED	N/A
BOX QUANTITY	EACH

SPECIAL INSTRUCTIONS

APPROVALS

APPROVALS

SUPERVISOR: STORES

HEAD: ASSETS & SUPPLY CHAIN

HEAD: DEPARTMENT

STORES STOCK ITEM SPECIFICATION & TECHNICAL DATA SHEET



**BERGRIVIER
MUNICIPALITY**



ITEM NUMBER

WTR-0004005

SHORT
DESCRIPTION

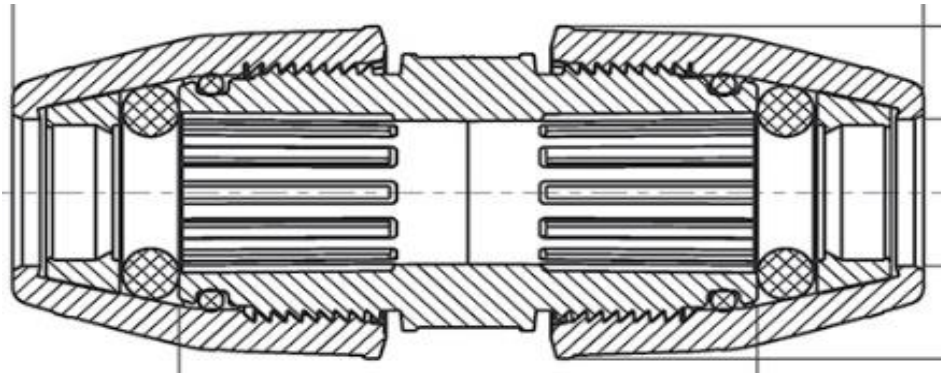
HDPE COMP COUPLER CXC - 75MM

LONG DETAILED
DESCRIPTION

HIGH-DENSITY POLYTHYLENE COMP COUPLER C X C - 75MM

TECHNICAL DRAWINGS

TECHNICAL SPECIFICATIONS



SIZE A (MM)	75MM
SIZE B (MM)	N/A
SIZE C (MM)	N/A
SIZE D	N/A
BRAND	N/A
MANUFACTURER WARRANTY	N/A
MAXIMUM PRESSURE	N/A
MINIMUM PRESSURE	N/A
MAXIMUM TEMPERATURE (°C)	N/A
MINIMUM TEMPERATURE (°C)	N/A
THREAD PITCH (MM)	N/A
THREAD REACH (MM)	N/A
OPERATING TEMPERATURE (°C)	N/A

EXTERNAL MATERIAL	HIGH DENSITY POLYETHYLENE
INTERNAL MATERIAL	HIGH DENSITY POLYETHYLENE
STORAGE REQUIREMENTS	CLEAN & DRY
MSDS REQUIRED	N/A
BOX QUANTITY	EACH

SPECIAL INSTRUCTIONS

APPROVALS

SUPERVISOR: STORES

HEAD: ASSETS & SUPPLY CHAIN

HEAD: DEPARTMENT

APPROVALS

STORES STOCK ITEM SPECIFICATION & TECHNICAL DATA SHEET



**BERGRIVIER
MUNICIPALITY**



ITEM NUMBER

WTR-0004006

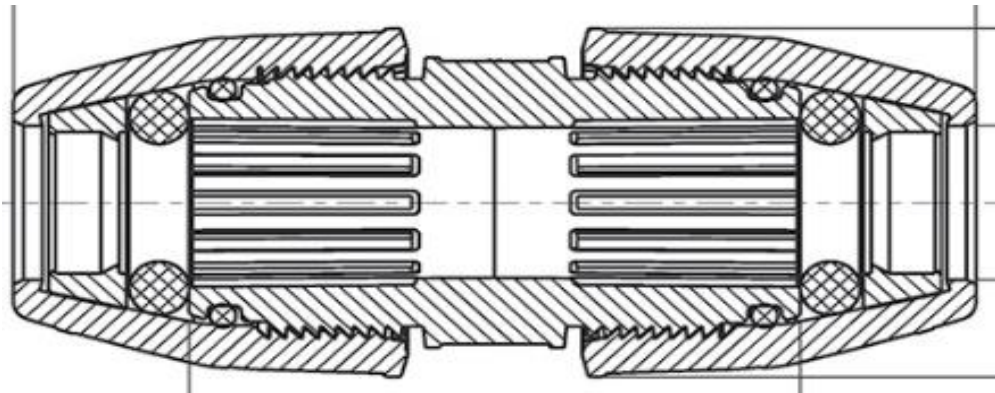
SHORT
DESCRIPTION

HDPE COMP COUPLER CXC - 90MM

LONG DETAILED
DESCRIPTION

HIGH-DENSITY POLYTHYLENE COMP COUPLER C X C - 90MM

TECHNICAL DRAWINGS



TECHNICAL SPECIFICATIONS

SIZE A (MM)	90MM
SIZE B (MM)	N/A
SIZE C (MM)	N/A
SIZE D	N/A
BRAND	N/A
MANUFACTURER WARRANTY	N/A
MAXIMUM PRESSURE	N/A
MINIMUM PRESSURE	N/A
MAXIMUM TEMPERATURE (°C)	N/A
MINIMUM TEMPERATURE (°C)	N/A
THREAD PITCH (MM)	N/A
THREAD REACH (MM)	N/A
OPERATING TEMPERATURE (°C)	N/A

EXTERNAL MATERIAL	HIGH DENSITY POLYETHYLENE
INTERNAL MATERIAL	HIGH DENSITY POLYETHYLENE
STORAGE REQUIREMENTS	CLEAN & DRY
MSDS REQUIRED	N/A
BOX QUANTITY	EACH

SPECIAL INSTRUCTIONS

APPROVALS

SUPERVISOR: STORES

HEAD: ASSETS & SUPPLY CHAIN

HEAD: DEPARTMENT

APPROVALS

STORES STOCK ITEM SPECIFICATION & TECHNICAL DATA SHEET



**BERGRIVIER
MUNICIPALITY**



ITEM NUMBER

WTR-0004007

SHORT
DESCRIPTION

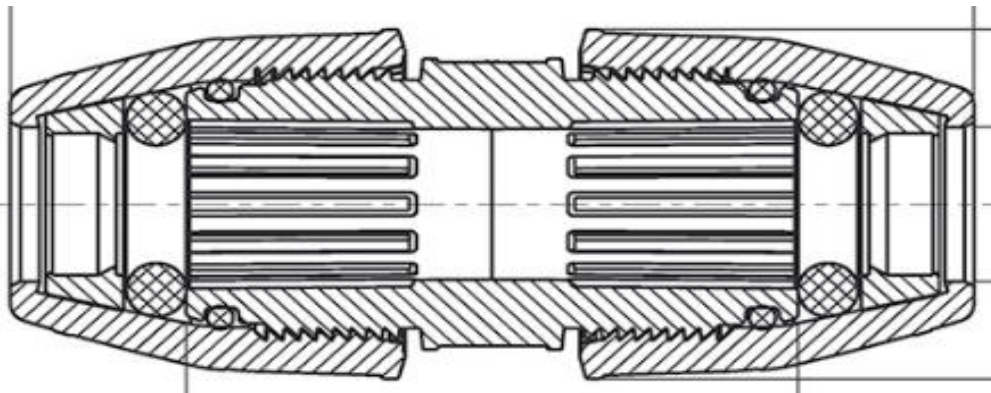
HDPE COMP COUPLER CXC - 110MM

LONG DETAILED
DESCRIPTION

HIGH-DENSITY POLYTHYLENE COMP COUPLER C X C - 110MM

TECHNICAL DRAWINGS

TECHNICAL SPECIFICATIONS



SIZE A (MM)	110MM
SIZE B (MM)	N/A
SIZE C (MM)	N/A
SIZE D	N/A
BRAND	N/A
MANUFACTURER WARRANTY	N/A
MAXIMUM PRESSURE	N/A
MINIMUM PRESSURE	N/A
MAXIMUM TEMPERATURE (°C)	N/A
MINIMUM TEMPERATURE (°C)	N/A
THREAD PITCH (MM)	N/A
THREAD REACH (MM)	N/A
OPERATING TEMPERATURE (°C)	N/A

EXTERNAL MATERIAL	HIGH DENSITY POLYETHYLENE
INTERNAL MATERIAL	HIGH DENSITY POLYETHYLENE
STORAGE REQUIREMENTS	CLEAN & DRY
MSDS REQUIRED	N/A
BOX QUANTITY	EACH

SPECIAL INSTRUCTIONS

APPROVALS

SUPERVISOR: STORES

HEAD: ASSETS & SUPPLY CHAIN

HEAD: DEPARTMENT

APPROVALS

STORES STOCK ITEM SPECIFICATION & TECHNICAL DATA SHEET



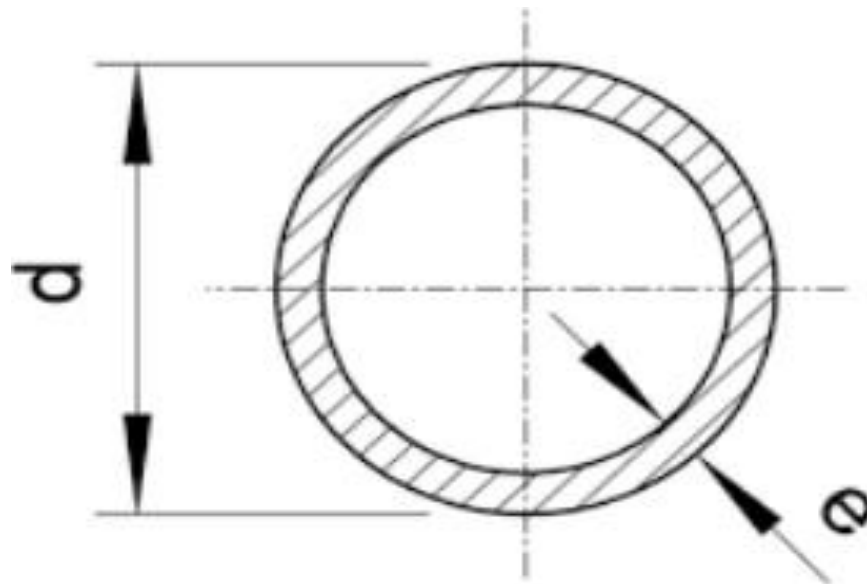
**BERGRIVIER
MUNICIPALITY**



ITEM NUMBER	WTR-0004008
SHORT DESCRIPTION	HDPE COMP PIPE CLASS 3 - 20MM
LONG DETAILED DESCRIPTION	HIGH-DENSITY POLYTHYLENE COMP PIPE CLASS 3 - 20MM

TECHNICAL DRAWINGS

TECHNICAL SPECIFICATIONS



SIZE d (MM)	20MM
SIZE e (MM)	3mm
SIZE C (MM)	N/A
SIZE D	N/A
BRAND	N/A
MANUFACTURER WARRANTY	N/A
MAXIMUM PRESSURE	3 BAR
MINIMUM PRESSURE	0
MAXIMUM TEMPERATURE (°C)	N/A
MINIMUM TEMPERATURE (°C)	N/A
THREAD PITCH (MM)	N/A
THREAD REACH (MM)	N/A
OPERATING TEMPERATURE (°C)	N/A

EXTERNAL MATERIAL	HIGH DENSITY POLYETHYLENE
INTERNAL MATERIAL	HIGH DENSITY POLYETHYLENE
STORAGE REQUIREMENTS	CLEAN & DRY
MSDS REQUIRED	N/A
BOX QUANTITY	EACH

SPECIAL INSTRUCTIONS

APPROVALS

APPROVALS

SUPERVISOR: STORES

HEAD: ASSETS & SUPPLY CHAIN

HEAD: DEPARTMENT

STORES STOCK ITEM SPECIFICATION & TECHNICAL DATA SHEET



**BERGRIVIER
MUNICIPALITY**



ITEM NUMBER	WTR-0004009
SHORT DESCRIPTION	HDPE COMP PIPE CLASS 3 - 25MM
LONG DETAILED DESCRIPTION	HDPE COMP PIPE CLASS 3 - 25MM

TECHNICAL DRAWINGS

TECHNICAL SPECIFICATIONS

SIZE A (MM)	25MM
SIZE B (MM)	N/A
SIZE C (MM)	N/A
SIZE D	N/A
BRAND	N/A
MANUFACTURER WARRANTY	N/A
MAXIMUM PRESSURE	N/A
MINIMUM PRESSURE	N/A
MAXIMUM TEMPERATURE (°C)	N/A
MINIMUM TEMPERATURE (°C)	N/A
THREAD PITCH (MM)	N/A
THREAD REACH (MM)	N/A
OPERATING TEMPERATURE (°C)	N/A

EXTERNAL MATERIAL	HIGH DENSITY POLYETHYLENE
INTERNAL MATERIAL	HIGH DENSITY POLYETHYLENE
STORAGE REQUIREMENTS	CLEAN & DRY
MSDS REQUIRED	N/A
BOX QUANTITY	EACH

SPECIAL INSTRUCTIONS

APPROVALS

APPROVALS

SUPERVISOR: STORES	HEAD: ASSETS & SUPPLY CHAIN	HEAD: DEPARTMENT

STORES STOCK ITEM SPECIFICATION & TECHNICAL DATA SHEET



ITEM NUMBER	WTR-0004010
SHORT DESCRIPTION	UPVC CLASS 12 ADAPTOR -50MMM
LONG DETAILED DESCRIPTION	UNPLASTICIZED POLYVINYL CHLORIDE CLASS 12 ADAPTOR -50MM



**BERGRIVIER
MUNICIPALITY**

TECHNICAL DRAWINGS		TECHNICAL SPECIFICATIONS	
		SIZE A (MM)	50MM
		SIZE B (MM)	N/A
		SIZE C (MM)	N/A
		SIZE D	N/A
		BRAND	N/A
		MANUFACTURER WARRANTY	N/A
		MAXIMUM PRESSURE	N/A
		MINIMUM PRESSURE	N/A
		MAXIMUM TEMPERATURE (°C)	N/A
		MINIMUM TEMPERATURE (°C)	N/A
		THREAD PITCH (MM)	N/A
		THREAD REACH (MM)	N/A
		OPERATING TEMPERATURE (°C)	N/A
EXTERNAL MATERIAL	UPVC	SPECIAL INSTRUCTIONS	
INTERNAL MATERIAL	UPVC		
STORAGE REQUIREMENTS	CLEAN & DRY		
MSDS REQUIRED	N/A		
BOX QUANTITY	EACH		
APPROVALS			APPROVALS
	SUPERVISOR: STORES	HEAD: ASSETS & SUPPLY CHAIN	

STORES STOCK ITEM SPECIFICATION & TECHNICAL DATA SHEET



**BERGRIVIER
MUNICIPALITY**



ITEM NUMBER

WTR-0004011

SHORT
DESCRIPTION

HDPE TO COPPER ADAPTOR - 20MM

LONG DETAILED
DESCRIPTION

HDPE TO COPPER ADAPTOR - 20MM

TECHNICAL DRAWINGS

TECHNICAL SPECIFICATIONS

SIZE A (MM)	20MM
SIZE B (MM)	N/A
SIZE C (MM)	N/A
SIZE D	N/A
BRAND	N/A
MANUFACTURER WARRANTY	N/A
MAXIMUM PRESSURE	N/A
MINIMUM PRESSURE	N/A
MAXIMUM TEMPERATURE (°C)	N/A
MINIMUM TEMPERATURE (°C)	N/A
THREAD PITCH (MM)	N/A
THREAD REACH (MM)	N/A
OPERATING TEMPERATURE (°C)	N/A

EXTERNAL MATERIAL	NYLON/BRASS
INTERNAL MATERIAL	NYLON/BRASS
STORAGE REQUIREMENTS	CLEAN & DRY
MSDS REQUIRED	N/A
BOX QUANTITY	EACH

SPECIAL INSTRUCTIONS

APPROVALS

APPROVALS

SUPERVISOR: STORES

HEAD: ASSETS & SUPPLY CHAIN

HEAD: DEPARTMENT

STORES STOCK ITEM SPECIFICATION & TECHNICAL DATA SHEET



**BERGRIVIER
MUNICIPALITY**



ITEM NUMBER

WTR-0004012

SHORT
DESCRIPTION

NYLON IRRIGATION BARREL NIPPLE 20MM

LONG DETAILED
DESCRIPTION

NYLON IRRIGATION BARREL NIPPLE 20MM

TECHNICAL DRAWINGS

TECHNICAL SPECIFICATIONS

SIZE A (MM)	20MM
SIZE B (MM)	N/A
SIZE C (MM)	N/A
SIZE D	N/A
BRAND	N/A
MANUFACTURER WARRANTY	N/A
MAXIMUM PRESSURE	N/A
MINIMUM PRESSURE	N/A
MAXIMUM TEMPERATURE (°C)	N/A
MINIMUM TEMPERATURE (°C)	N/A
THREAD PITCH (MM)	N/A
THREAD REACH (MM)	N/A
OPERATING TEMPERATURE (°C)	N/A

EXTERNAL MATERIAL NYLON

INTERNAL MATERIAL NYLON

STORAGE REQUIREMENTS CLEAN & DRY

MSDS REQUIRED N/A

BOX QUANTITY EACH

SPECIAL INSTRUCTIONS

APPROVALS

APPROVALS

SUPERVISOR: STORES

HEAD: ASSETS & SUPPLY CHAIN

HEAD: DEPARTMENT

STORES STOCK ITEM SPECIFICATION & TECHNICAL DATA SHEET



**BERGRIVIER
MUNICIPALITY**



ITEM NUMBER	WTR-0004013
SHORT DESCRIPTION	NYLON IRRIGATION ELBOW 20MM
LONG DETAILED DESCRIPTION	NYLON IRRIGATION ELBOW 20MM

TECHNICAL DRAWINGS

TECHNICAL SPECIFICATIONS

SIZE A (MM)	20MM
SIZE B (MM)	N/A
SIZE C (MM)	N/A
SIZE D	N/A
BRAND	N/A
MANUFACTURER WARRANTY	N/A
MAXIMUM PRESSURE	N/A
MINIMUM PRESSURE	N/A
MAXIMUM TEMPERATURE (°C)	N/A
MINIMUM TEMPERATURE (°C)	N/A
THREAD PITCH (MM)	N/A
THREAD REACH (MM)	N/A
OPERATING TEMPERATURE (°C)	N/A

EXTERNAL MATERIAL	NYLON
INTERNAL MATERIAL	NYLON
STORAGE REQUIREMENTS	CLEAN & DRY
MSDS REQUIRED	N/A
BOX QUANTITY	EACH

SPECIAL INSTRUCTIONS

APPROVALS

SUPERVISOR: STORES	HEAD: ASSETS & SUPPLY CHAIN	HEAD: DEPARTMENT

APPROVALS

STORES STOCK ITEM SPECIFICATION & TECHNICAL DATA SHEET



**BERGRIVIER
MUNICIPALITY**



ITEM NUMBER

WTR-0004014

SHORT
DESCRIPTION

NYLON IRRIGATION REDUCER NIPPLE 15MMX22MM

LONG DETAILED
DESCRIPTION

NYLON IRRIGATION REDUCER NIPPLE 15MMX22MM

TECHNICAL DRAWINGS

TECHNICAL SPECIFICATIONS

SIZE A (MM)	15MM
SIZE B (MM)	22MM
SIZE C (MM)	N/A
SIZE D	N/A
BRAND	N/A
MANUFACTURER WARRANTY	N/A
MAXIMUM PRESSURE	N/A
MINIMUM PRESSURE	N/A
MAXIMUM TEMPERATURE (°C)	N/A
MINIMUM TEMPERATURE (°C)	N/A
THREAD PITCH (MM)	N/A
THREAD REACH (MM)	N/A
OPERATING TEMPERATURE (°C)	N/A
	N/A

EXTERNAL MATERIAL NYLON

INTERNAL MATERIAL NYLON

STORAGE REQUIREMENTS CLEAN & DRY

MSDS REQUIRED N/A

BOX QUANTITY EACH

SPECIAL INSTRUCTIONS

APPROVALS

SUPERVISOR: STORES

HEAD: ASSETS & SUPPLY CHAIN

HEAD: DEPARTMENT

APPROVALS

STORES STOCK ITEM SPECIFICATION & TECHNICAL DATA SHEET



**BERGRIVIER
MUNICIPALITY**



ITEM NUMBER

WTR-0004015

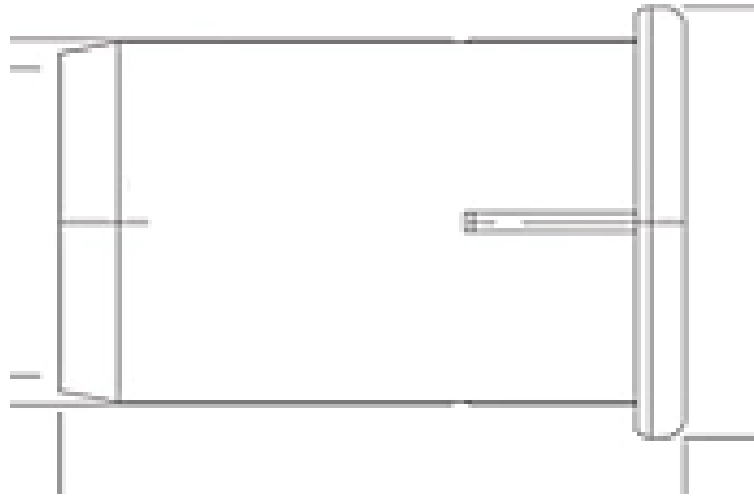
SHORT
DESCRIPTION

INSERT PEX PIPE 15MM

LONG DETAILED
DESCRIPTION

INSERT PEX PIPE 15MM

TECHNICAL DRAWINGS



TECHNICAL SPECIFICATIONS

SIZE A (MM)	15MM
SIZE B (MM)	N/A
SIZE C (MM)	N/A
SIZE D	N/A
BRAND	N/A
MANUFACTURER WARRANTY	N/A
MAXIMUM PRESSURE	N/A
MINIMUM PRESSURE	N/A
MAXIMUM TEMPERATURE (°C)	N/A
MINIMUM TEMPERATURE (°C)	N/A
THREAD PITCH (MM)	N/A
THREAD REACH (MM)	N/A
OPERATING TEMPERATURE (°C)	N/A

EXTERNAL MATERIAL	NYLON
INTERNAL MATERIAL	NYLON
STORAGE REQUIREMENTS	CLEAN & DRY
MSDS REQUIRED	N/A
BOX QUANTITY	EACH

SPECIAL INSTRUCTIONS

APPROVALS

SUPERVISOR: STORES

HEAD: ASSETS & SUPPLY CHAIN

HEAD: DEPARTMENT

APPROVALS

STORES STOCK ITEM SPECIFICATION & TECHNICAL DATA SHEET



**BERGRIVIER
MUNICIPALITY**



ITEM NUMBER

WTR-0004016

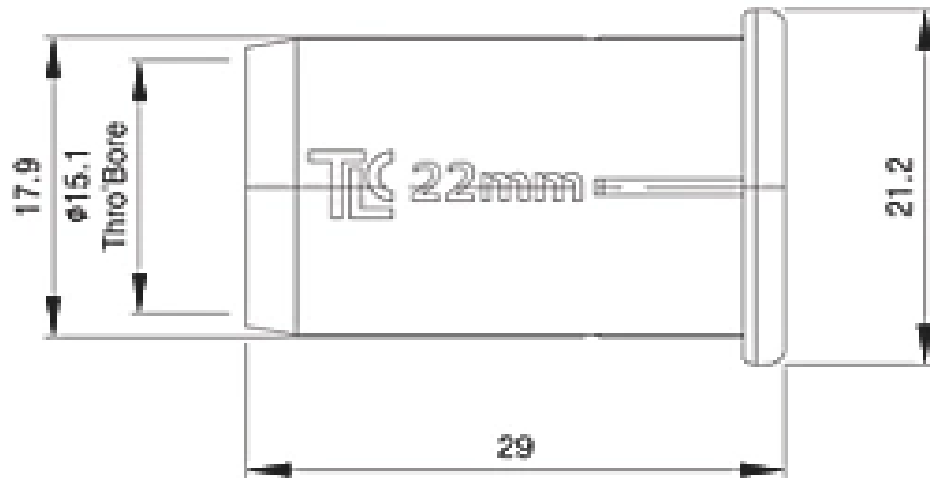
SHORT
DESCRIPTION

INSERT PEX PIPE 22MM

LONG DETAILED
DESCRIPTION

INSERT PEX PIPE 22MM

TECHNICAL DRAWINGS



TECHNICAL SPECIFICATIONS

SIZE A (MM)	22MM
SIZE B (MM)	N/A
SIZE C (MM)	N/A
SIZE D	N/A
BRAND	N/A
MANUFACTURER WARRANTY	N/A
MAXIMUM PRESSURE	N/A
MINIMUM PRESSURE	N/A
MAXIMUM TEMPERATURE (°C)	N/A
MINIMUM TEMPERATURE (°C)	N/A
THREAD PITCH (MM)	N/A
THREAD REACH (MM)	N/A
OPERATING TEMPERATURE (°C)	N/A

EXTERNAL MATERIAL	NYLON
INTERNAL MATERIAL	NYLON
STORAGE REQUIREMENTS	CLEAN & DRY
MSDS REQUIRED	N/A
BOX QUANTITY	EACH

SPECIAL INSTRUCTIONS

APPROVALS

SUPERVISOR: STORES

HEAD: ASSETS & SUPPLY CHAIN

HEAD: DEPARTMENT

APPROVALS

STORES STOCK ITEM SPECIFICATION & TECHNICAL DATA SHEET



**BERGRIVIER
MUNICIPALITY**



ITEM NUMBER

WTR-0004017

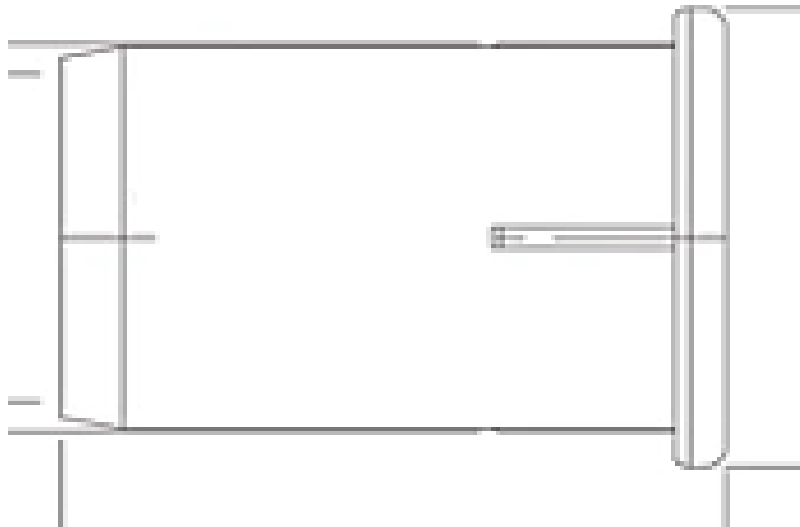
SHORT
DESCRIPTION

INSERT PEX PIPE 28MM

LONG DETAILED
DESCRIPTION

INSERT PEX PIPE 28MM

TECHNICAL DRAWINGS



TECHNICAL SPECIFICATIONS

SIZE A (MM)	28MM
SIZE B (MM)	N/A
SIZE C (MM)	N/A
SIZE D	N/A
BRAND	N/A
MANUFACTURER WARRANTY	N/A
MAXIMUM PRESSURE	N/A
MINIMUM PRESSURE	N/A
MAXIMUM TEMPERATURE (°C)	N/A
MINIMUM TEMPERATURE (°C)	N/A
THREAD PITCH (MM)	N/A
THREAD REACH (MM)	N/A
OPERATING TEMPERATURE (°C)	N/A

EXTERNAL MATERIAL NYLON

INTERNAL MATERIAL NYLON

STORAGE REQUIREMENTS CLEAN & DRY

MSDS REQUIRED N/A

BOX QUANTITY EACH

SPECIAL INSTRUCTIONS

APPROVALS

SUPERVISOR: STORES

HEAD: ASSETS & SUPPLY CHAIN

HEAD: DEPARTMENT

APPROVALS

STORES STOCK ITEM SPECIFICATION & TECHNICAL DATA SHEET

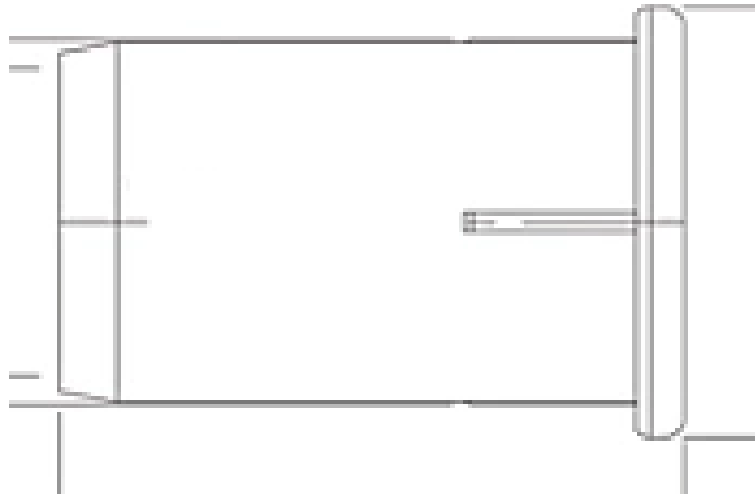


**BERGRIVIER
MUNICIPALITY**



ITEM NUMBER	WTR-0004018
SHORT DESCRIPTION	INSERT PEX PIPE 42MM
LONG DETAILED DESCRIPTION	INSERT PEX PIPE 42MM

TECHNICAL DRAWINGS



TECHNICAL SPECIFICATIONS

SIZE A (MM)	42MM
SIZE B (MM)	N/A
SIZE C (MM)	N/A
SIZE D	N/A
BRAND	N/A
MANUFACTURER WARRANTY	N/A
MAXIMUM PRESSURE	N/A
MINIMUM PRESSURE	N/A
MAXIMUM TEMPERATURE (°C)	N/A
MINIMUM TEMPERATURE (°C)	N/A
THREAD PITCH (MM)	N/A
THREAD REACH (MM)	N/A
OPERATING TEMPERATURE (°C)	N/A

EXTERNAL MATERIAL	NYLON
INTERNAL MATERIAL	NYLON
STORAGE REQUIREMENTS	CLEAN & DRY
MSDS REQUIRED	N/A
BOX QUANTITY	EACH

SPECIAL INSTRUCTIONS

APPROVALS

SUPERVISOR: STORES	HEAD: ASSETS & SUPPLY CHAIN	HEAD: DEPARTMENT	

APPROVALS

STORES STOCK ITEM SPECIFICATION & TECHNICAL DATA SHEET



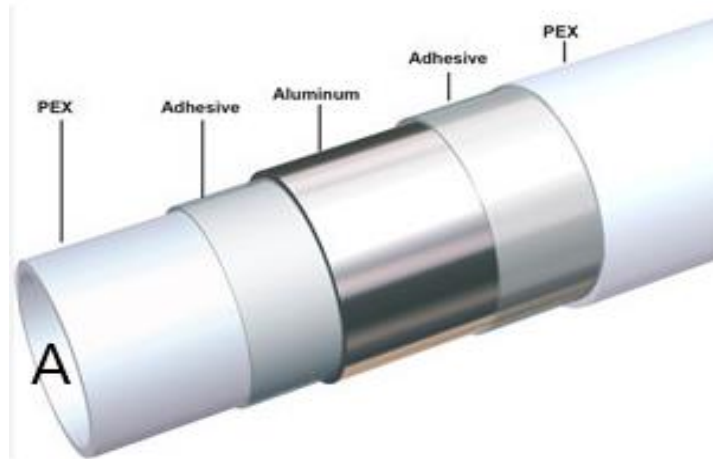
**BERGRIVIER
MUNICIPALITY**



ITEM NUMBER	WTR-0004019
SHORT DESCRIPTION	PEX PIPE WHITE - 15MM
LONG DETAILED DESCRIPTION	PEX PIPE WHITE - 15MM

TECHNICAL DRAWINGS

TECHNICAL SPECIFICATIONS



SIZE A (MM)	15MM
SIZE B (MM)	N/A
SIZE C (MM)	N/A
SIZE D	N/A
BRAND	N/A
MANUFACTURER WARRANTY	N/A
MAXIMUM PRESSURE	N/A
MINIMUM PRESSURE	N/A
MAXIMUM TEMPERATURE (°C)	N/A
MINIMUM TEMPERATURE (°C)	N/A
THREAD PITCH (MM)	N/A
THREAD REACH (MM)	N/A
OPERATING TEMPERATURE (°C)	N/A

EXTERNAL MATERIAL	PEX
INTERNAL MATERIAL	PEX
STORAGE REQUIREMENTS	CLEAN & DRY
MSDS REQUIRED	N/A
BOX QUANTITY	ROLL OF 100M

SPECIAL INSTRUCTIONS

APPROVALS

APPROVALS

SUPERVISOR: STORES

HEAD: ASSETS & SUPPLY CHAIN

HEAD: DEPARTMENT

STORES STOCK ITEM SPECIFICATION & TECHNICAL DATA SHEET



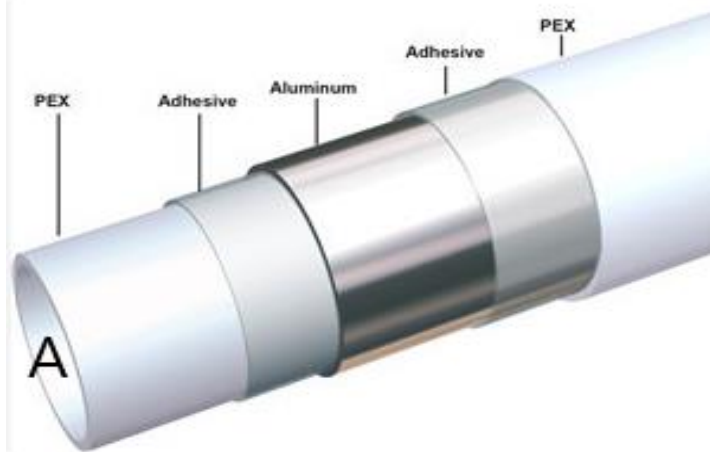
**BERGRIVIER
MUNICIPALITY**



ITEM NUMBER	WTR-0004020
SHORT DESCRIPTION	PEX PIPE WHITE - 22MM
LONG DETAILED DESCRIPTION	PEX PIPE WHITE - 22MM

TECHNICAL DRAWINGS

TECHNICAL SPECIFICATIONS



SIZE A (MM)	22MM
SIZE B (MM)	N/A
SIZE C (MM)	N/A
SIZE D	N/A
BRAND	N/A
MANUFACTURER WARRANTY	N/A
MAXIMUM PRESSURE	N/A
MINIMUM PRESSURE	N/A
MAXIMUM TEMPERATURE (°C)	N/A
MINIMUM TEMPERATURE (°C)	N/A
THREAD PITCH (MM)	N/A
THREAD REACH (MM)	N/A
OPERATING TEMPERATURE (°C)	N/A

EXTERNAL MATERIAL	PEX
INTERNAL MATERIAL	PEX
STORAGE REQUIREMENTS	CLEAN & DRY
MSDS REQUIRED	N/A
BOX QUANTITY	ROLL OF 100M

SPECIAL INSTRUCTIONS

APPROVALS

APPROVALS

SUPERVISOR: STORES

HEAD: ASSETS & SUPPLY CHAIN

HEAD: DEPARTMENT

STORES STOCK ITEM SPECIFICATION & TECHNICAL DATA SHEET



**BERGRIVIER
MUNICIPALITY**



ITEM NUMBER	WTR-0004021
SHORT DESCRIPTION	PEX PIPE WHITE - 28MM
LONG DETAILED DESCRIPTION	PEX PIPE WHITE - 28MM

TECHNICAL DRAWINGS



TECHNICAL SPECIFICATIONS

SIZE A (MM)	28MM
SIZE B (MM)	N/A
SIZE C (MM)	N/A
SIZE D	N/A
BRAND	N/A
MANUFACTURER WARRANTY	N/A
MAXIMUM PRESSURE	N/A
MINIMUM PRESSURE	N/A
MAXIMUM TEMPERATURE (°C)	N/A
MINIMUM TEMPERATURE (°C)	N/A
THREAD PITCH (MM)	N/A
THREAD REACH (MM)	N/A
OPERATING TEMPERATURE (°C)	N/A

EXTERNAL MATERIAL	PEX
INTERNAL MATERIAL	PEX
STORAGE REQUIREMENTS	CLEAN & DRY
MSDS REQUIRED	N/A
BOX QUANTITY	ROLL OF 50M

SPECIAL INSTRUCTIONS

APPROVALS

APPROVALS

SUPERVISOR: STORES

HEAD: ASSETS & SUPPLY CHAIN

HEAD: DEPARTMENT

STORES STOCK ITEM SPECIFICATION & TECHNICAL DATA SHEET



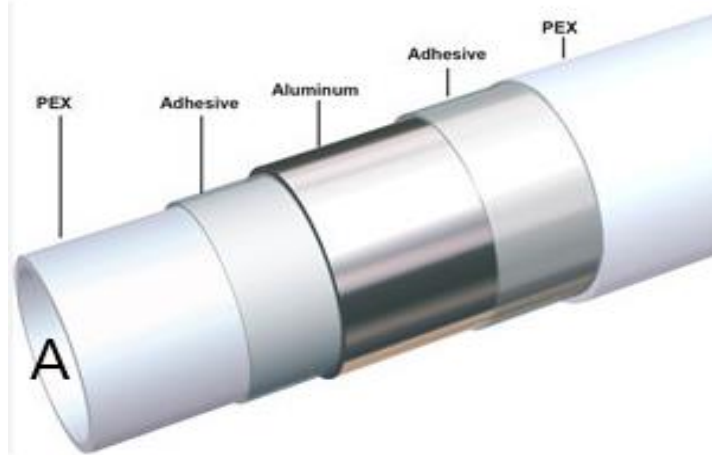
**BERGRIVIER
MUNICIPALITY**



ITEM NUMBER	WTR-0004022
SHORT DESCRIPTION	PEX PIPE WHITE - 42MM
LONG DETAILED DESCRIPTION	PEX PIPE WHITE - 42MM

TECHNICAL DRAWINGS

TECHNICAL SPECIFICATIONS



SIZE A (MM)	42MM
SIZE B (MM)	N/A
SIZE C (MM)	N/A
SIZE D	N/A
BRAND	N/A
MANUFACTURER WARRANTY	N/A
MAXIMUM PRESSURE	N/A
MINIMUM PRESSURE	N/A
MAXIMUM TEMPERATURE (°C)	N/A
MINIMUM TEMPERATURE (°C)	N/A
THREAD PITCH (MM)	N/A
THREAD REACH (MM)	N/A
OPERATING TEMPERATURE (°C)	N/A

EXTERNAL MATERIAL	PEX
INTERNAL MATERIAL	PEX
STORAGE REQUIREMENTS	CLEAN & DRY
MSDS REQUIRED	N/A
BOX QUANTITY	ROLL OF 50M

SPECIAL INSTRUCTIONS

APPROVALS

APPROVALS

SUPERVISOR: STORES

HEAD: ASSETS & SUPPLY CHAIN

HEAD: DEPARTMENT

STORES STOCK ITEM SPECIFICATION & TECHNICAL DATA SHEET



**BERGRIVIER
MUNICIPALITY**



ITEM NUMBER

WTR-0004023

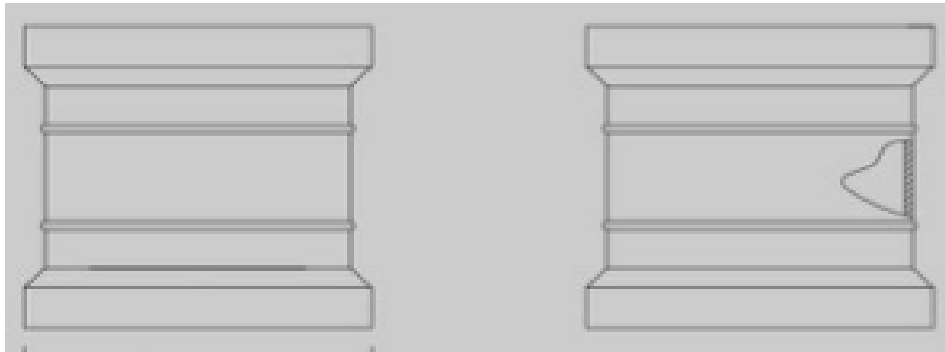
SHORT
DESCRIPTION

KIMBERLEY SOCKET (UPVC Adaptor) - 110MM

LONG DETAILED
DESCRIPTION

KIMBERLEY SOCKET (UPVC Adaptor) - 110MM

TECHNICAL DRAWINGS



TECHNICAL SPECIFICATIONS

SIZE A (MM)	110MM
SIZE B (MM)	N/A
SIZE C (MM)	N/A
SIZE D	N/A
BRAND	N/A
MANUFACTURER WARRANTY	N/A
MAXIMUM PRESSURE	N/A
MINIMUM PRESSURE	N/A
MAXIMUM TEMPERATURE (°C)	N/A
MINIMUM TEMPERATURE (°C)	N/A
THREAD PITCH (MM)	N/A
THREAD REACH (MM)	N/A
OPERATING TEMPERATURE (°C)	N/A

EXTERNAL MATERIAL	UPVC
INTERNAL MATERIAL	UPVC
STORAGE REQUIREMENTS	CLEAN & DRY
MSDS REQUIRED	N/A
BOX QUANTITY	EA

SPECIAL INSTRUCTIONS	

APPROVALS		
	SUPERVISOR: STORES	HEAD: ASSETS & SUPPLY CHAIN

	APPROVALS
HEAD: DEPARTMENT	

STORES STOCK ITEM SPECIFICATION & TECHNICAL DATA SHEET

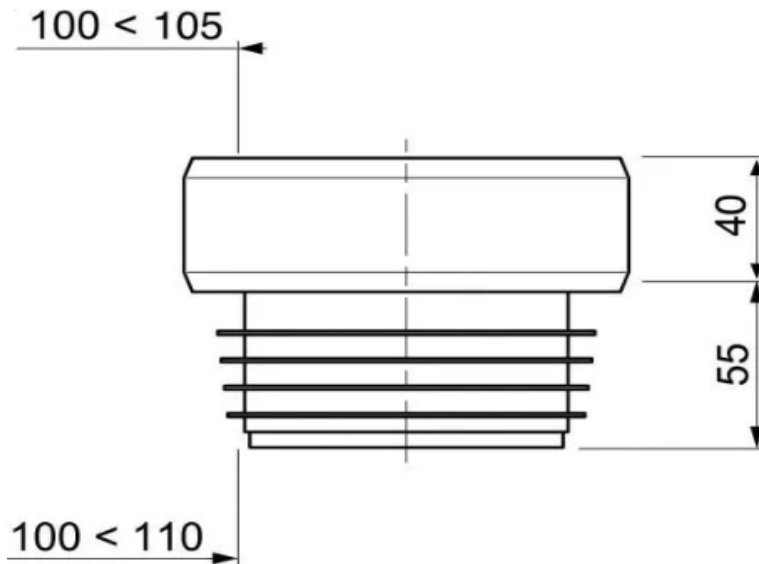


**BERGRIVIER
MUNICIPALITY**



ITEM NUMBER	WTR-0004024
SHORT DESCRIPTION	PAN CONNECTOR 110MM
LONG DETAILED DESCRIPTION	PAN CONNECTOR 110MM

TECHNICAL DRAWINGS



TECHNICAL SPECIFICATIONS

SIZE A (MM)	110MM
SIZE B (MM)	N/A
SIZE C (MM)	N/A
SIZE D	N/A
BRAND	N/A
MANUFACTURER WARRANTY	N/A
MAXIMUM PRESSURE	N/A
MINIMUM PRESSURE	N/A
MAXIMUM TEMPERATURE (°C)	N/A
MINIMUM TEMPERATURE (°C)	N/A
THREAD PITCH (MM)	N/A
THREAD REACH (MM)	N/A
OPERATING TEMPERATURE (°C)	N/A

EXTERNAL MATERIAL	UPVC
INTERNAL MATERIAL	UPVC
STORAGE REQUIREMENTS	CLEAN & DRY
MSDS REQUIRED	N/A
BOX QUANTITY	EA

SPECIAL INSTRUCTIONS

APPROVALS

SUPERVISOR: STORES	HEAD: ASSETS & SUPPLY CHAIN	HEAD: DEPARTMENT	

APPROVALS

STORES STOCK ITEM SPECIFICATION & TECHNICAL DATA SHEET



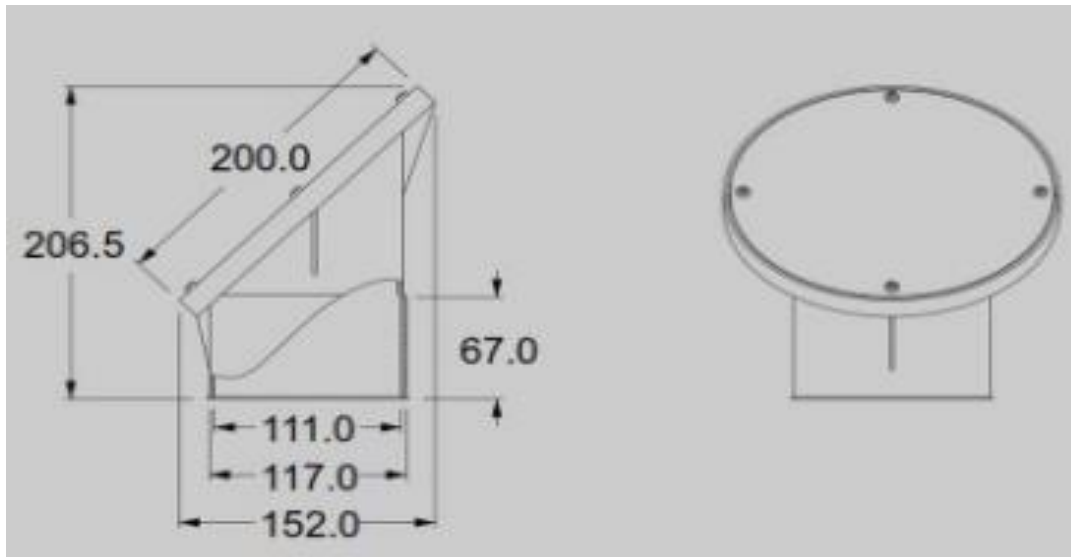
**BERGRIVIER
MUNICIPALITY**



ITEM NUMBER	WTR-0004025
SHORT DESCRIPTION	RODDING EYE 110MM - 145MM
LONG DETAILED DESCRIPTION	RODDING EYE 110MM - 145MM

TECHNICAL DRAWINGS

TECHNICAL SPECIFICATIONS



SIZE A (MM)	110MM
SIZE B (MM)	145MM
SIZE C (MM)	N/A
SIZE D	N/A
BRAND	N/A
MANUFACTURER WARRANTY	N/A
MAXIMUM PRESSURE	N/A
MINIMUM PRESSURE	N/A
MAXIMUM TEMPERATURE (°C)	N/A
MINIMUM TEMPERATURE (°C)	N/A
THREAD PITCH (MM)	N/A
THREAD REACH (MM)	N/A
OPERATING TEMPERATURE (°C)	N/A

EXTERNAL MATERIAL	UPVC
INTERNAL MATERIAL	UPVC
STORAGE REQUIREMENTS	CLEAN & DRY
MSDS REQUIRED	N/A
BOX QUANTITY	EA

SPECIAL INSTRUCTIONS	

APPROVALS				APPROVALS
	SUPERVISOR: STORES	HEAD: ASSETS & SUPPLY CHAIN	HEAD: DEPARTMENT	

STORES STOCK ITEM SPECIFICATION & TECHNICAL DATA SHEET

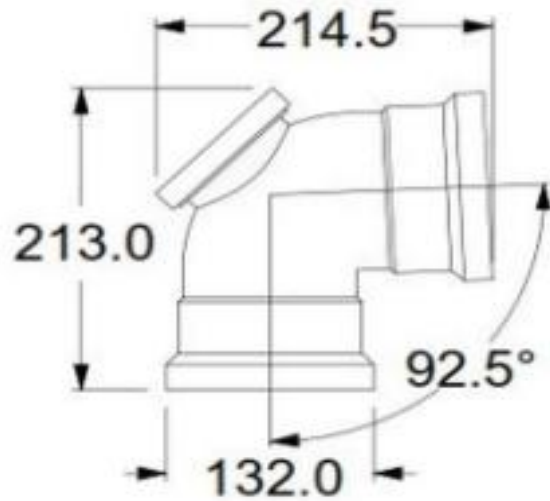


**BERGRIVIER
MUNICIPALITY**



ITEM NUMBER	WTR-0004026
SHORT DESCRIPTION	VENT BEND 110MM
LONG DETAILED DESCRIPTION	VENT BEND 110MM

TECHNICAL DRAWINGS



TECHNICAL SPECIFICATIONS

SIZE A (MM)	110MM
SIZE B (MM)	N/A
SIZE C (MM)	N/A
SIZE D	N/A
BRAND	N/A
MANUFACTURER WARRANTY	N/A
MAXIMUM PRESSURE	N/A
MINIMUM PRESSURE	N/A
MAXIMUM TEMPERATURE (°C)	N/A
MINIMUM TEMPERATURE (°C)	N/A
THREAD PITCH (MM)	N/A
THREAD REACH (MM)	N/A
OPERATING TEMPERATURE (°C)	N/A

EXTERNAL MATERIAL	UPVC
INTERNAL MATERIAL	UPVC
STORAGE REQUIREMENTS	CLEAN & DRY
MSDS REQUIRED	N/A
BOX QUANTITY	EA

SPECIAL INSTRUCTIONS

APPROVALS

APPROVALS

SUPERVISOR: STORES

HEAD: ASSETS & SUPPLY CHAIN

HEAD: DEPARTMENT

STORES STOCK ITEM SPECIFICATION & TECHNICAL DATA SHEET



**BERGRIVIER
MUNICIPALITY**



ITEM NUMBER

WTR-0004027

SHORT
DESCRIPTION

UPVC CLASS 12 ADAPTOR - 63MM

LONG DETAILED
DESCRIPTION

UNPLASTICIZED POLYVINYL CHLORIDE CLASS 12 ADAPTOR - 63MM

TECHNICAL DRAWINGS

TECHNICAL SPECIFICATIONS

SIZE A (MM)	63MM
SIZE B (MM)	N/A
SIZE C (MM)	N/A
SIZE D	N/A
BRAND	N/A
MANUFACTURER WARRANTY	N/A
MAXIMUM PRESSURE	N/A
MINIMUM PRESSURE	N/A
MAXIMUM TEMPERATURE (°C)	N/A
MINIMUM TEMPERATURE (°C)	N/A
THREAD PITCH (MM)	N/A
THREAD REACH (MM)	N/A
OPERATING TEMPERATURE (°C)	N/A

EXTERNAL MATERIAL	UPVC
INTERNAL MATERIAL	UPVC
STORAGE REQUIREMENTS	CLEAN & DRY
MSDS REQUIRED	N/A
BOX QUANTITY	EACH

SPECIAL INSTRUCTIONS

APPROVALS

APPROVALS

SUPERVISOR: STORES

HEAD: ASSETS & SUPPLY CHAIN

HEAD: DEPARTMENT

STORES STOCK ITEM SPECIFICATION & TECHNICAL DATA SHEET



**BERGRIVIER
MUNICIPALITY**



ITEM NUMBER	WTR-0004028
SHORT DESCRIPTION	UPVC CLASS 12 ADAPTOR - 75MM
LONG DETAILED DESCRIPTION	UNPLASTICIZED POLYVINYL CHLORIDE CLASS 12 ADAPTOR - 75MM

TECHNICAL DRAWINGS

TECHNICAL SPECIFICATIONS

SIZE A (MM)	75MM
SIZE B (MM)	N/A
SIZE C (MM)	N/A
SIZE D	N/A
BRAND	N/A
MANUFACTURER WARRANTY	N/A
MAXIMUM PRESSURE	N/A
MINIMUM PRESSURE	N/A
MAXIMUM TEMPERATURE (°C)	N/A
MINIMUM TEMPERATURE (°C)	N/A
THREAD PITCH (MM)	N/A
THREAD REACH (MM)	N/A
OPERATING TEMPERATURE (°C)	N/A

EXTERNAL MATERIAL	UPVC
INTERNAL MATERIAL	UPVC
STORAGE REQUIREMENTS	CLEAN & DRY
MSDS REQUIRED	N/A
BOX QUANTITY	EACH

SPECIAL INSTRUCTIONS	

APPROVALS				APPROVALS
	SUPERVISOR: STORES	HEAD: ASSETS & SUPPLY CHAIN	HEAD: DEPARTMENT	

STORES STOCK ITEM SPECIFICATION & TECHNICAL DATA SHEET



**BERGRIVIER
MUNICIPALITY**



ITEM NUMBER

WTR-0004029

SHORT
DESCRIPTION

UPVC CLASS 12 ADAPTOR - 110MM

LONG DETAILED
DESCRIPTION

UNPLASTICIZED POLYVINYL CHLORIDE CLASS 12 ADAPTOR - 110MM

TECHNICAL DRAWINGS

TECHNICAL SPECIFICATIONS

SIZE A (MM)	110MM
SIZE B (MM)	N/A
SIZE C (MM)	N/A
SIZE D	N/A
BRAND	N/A
MANUFACTURER WARRANTY	N/A
MAXIMUM PRESSURE	N/A
MINIMUM PRESSURE	N/A
MAXIMUM TEMPERATURE (°C)	N/A
MINIMUM TEMPERATURE (°C)	N/A
THREAD PITCH (MM)	N/A
THREAD REACH (MM)	N/A
OPERATING TEMPERATURE (°C)	N/A

EXTERNAL MATERIAL	UPVC
INTERNAL MATERIAL	UPVC
STORAGE REQUIREMENTS	CLEAN & DRY
MSDS REQUIRED	N/A
BOX QUANTITY	EACH

SPECIAL INSTRUCTIONS

APPROVALS

APPROVALS

SUPERVISOR: STORES

HEAD: ASSETS & SUPPLY CHAIN

HEAD: DEPARTMENT

STORES STOCK ITEM SPECIFICATION & TECHNICAL DATA SHEET



**BERGRIVIER
MUNICIPALITY**



ITEM NUMBER

WTR-0004030

SHORT
DESCRIPTION

UPVC CLASS 12 ADAPTOR - 160MM

LONG DETAILED
DESCRIPTION

UNPLASTICIZED POLYVINYL CHLORIDE CLASS 12 ADAPTOR - 160MM

TECHNICAL DRAWINGS

TECHNICAL SPECIFICATIONS

SIZE A (MM)	160MM
SIZE B (MM)	N/A
SIZE C (MM)	N/A
SIZE D	N/A
BRAND	N/A
MANUFACTURER WARRANTY	N/A
MAXIMUM PRESSURE	N/A
MINIMUM PRESSURE	N/A
MAXIMUM TEMPERATURE (°C)	N/A
MINIMUM TEMPERATURE (°C)	N/A
THREAD PITCH (MM)	N/A
THREAD REACH (MM)	N/A
OPERATING TEMPERATURE (°C)	N/A

EXTERNAL MATERIAL	UPVC
INTERNAL MATERIAL	UPVC
STORAGE REQUIREMENTS	CLEAN & DRY
MSDS REQUIRED	N/A
BOX QUANTITY	EACH

SPECIAL INSTRUCTIONS

APPROVALS

APPROVALS

SUPERVISOR: STORES

HEAD: ASSETS & SUPPLY CHAIN

HEAD: DEPARTMENT

STORES STOCK ITEM SPECIFICATION & TECHNICAL DATA SHEET



**BERGRIVIER
MUNICIPALITY**



ITEM NUMBER

WTR-0004031

SHORT
DESCRIPTION

UPVC CLASS 12 FXM REDUCER - 110-50MM

LONG DETAILED
DESCRIPTION

UNPLASTICIZED POLYVINYL CHLORIDE CLASS 12 FXM REDUCER - 110-50MM

TECHNICAL DRAWINGS

TECHNICAL SPECIFICATIONS

SIZE A (MM)	110MM
SIZE B (MM)	50MM
SIZE C (MM)	N/A
SIZE D	N/A
BRAND	N/A
MANUFACTURER WARRANTY	N/A
MAXIMUM PRESSURE	N/A
MINIMUM PRESSURE	N/A
MAXIMUM TEMPERATURE (°C)	N/A
MINIMUM TEMPERATURE (°C)	N/A
THREAD PITCH (MM)	N/A
THREAD REACH (MM)	N/A
OPERATING TEMPERATURE (°C)	N/A

EXTERNAL MATERIAL	UPVC
INTERNAL MATERIAL	UPVC
STORAGE REQUIREMENTS	CLEAN & DRY
MSDS REQUIRED	N/A
BOX QUANTITY	EACH

SPECIAL INSTRUCTIONS

APPROVALS

APPROVALS

SUPERVISOR: STORES

HEAD: ASSETS & SUPPLY CHAIN

HEAD: DEPARTMENT

STORES STOCK ITEM SPECIFICATION & TECHNICAL DATA SHEET



**BERGRIVIER
MUNICIPALITY**



ITEM NUMBER

WTR-0004032

SHORT
DESCRIPTION

UPVC CLASS 12 FXM REDUCER - 110-63MM

LONG DETAILED
DESCRIPTION

UNPLASTICIZED POLYVINYL CHLORIDE CLASS 12 FXM REDUCER - 110-63MM

TECHNICAL DRAWINGS

TECHNICAL SPECIFICATIONS

SIZE A (MM)	110MM
SIZE B (MM)	63MM
SIZE C (MM)	N/A
SIZE D	N/A
BRAND	N/A
MANUFACTURER WARRANTY	N/A
MAXIMUM PRESSURE	N/A
MINIMUM PRESSURE	N/A
MAXIMUM TEMPERATURE (°C)	N/A
MINIMUM TEMPERATURE (°C)	N/A
THREAD PITCH (MM)	N/A
THREAD REACH (MM)	N/A
OPERATING TEMPERATURE (°C)	N/A

EXTERNAL MATERIAL	UPVC
INTERNAL MATERIAL	UPVC
STORAGE REQUIREMENTS	CLEAN & DRY
MSDS REQUIRED	N/A
BOX QUANTITY	EACH

SPECIAL INSTRUCTIONS

APPROVALS

APPROVALS

SUPERVISOR: STORES

HEAD: ASSETS & SUPPLY CHAIN

HEAD: DEPARTMENT

STORES STOCK ITEM SPECIFICATION & TECHNICAL DATA SHEET



**BERGRIVIER
MUNICIPALITY**



ITEM NUMBER

WTR-0004033

SHORT
DESCRIPTION

UPVC CLASS 12 FXM REDUCER - 75-63MM

LONG DETAILED
DESCRIPTION

UNPLASTICIZED POLYVINYL CHLORIDE CLASS 12 FXM REDUCER - 75-63MM

TECHNICAL DRAWINGS

TECHNICAL SPECIFICATIONS

SIZE A (MM)	75MM
SIZE B (MM)	63MM
SIZE C (MM)	N/A
SIZE D	N/A
BRAND	N/A
MANUFACTURER WARRANTY	N/A
MAXIMUM PRESSURE	N/A
MINIMUM PRESSURE	N/A
MAXIMUM TEMPERATURE (°C)	N/A
MINIMUM TEMPERATURE (°C)	N/A
THREAD PITCH (MM)	N/A
THREAD REACH (MM)	N/A
OPERATING TEMPERATURE (°C)	N/A

EXTERNAL MATERIAL	UPVC
INTERNAL MATERIAL	UPVC
STORAGE REQUIREMENTS	CLEAN & DRY
MSDS REQUIRED	N/A
BOX QUANTITY	EACH

SPECIAL INSTRUCTIONS

APPROVALS

APPROVALS

SUPERVISOR: STORES

HEAD: ASSETS & SUPPLY CHAIN

HEAD: DEPARTMENT

STORES STOCK ITEM SPECIFICATION & TECHNICAL DATA SHEET



**BERGRIVIER
MUNICIPALITY**



ITEM NUMBER	WTR-0004034
SHORT DESCRIPTION	UPVC CLASS 12 FXM REDUCER - 110-75MM
LONG DETAILED DESCRIPTION	UNPLASTICIZED POLYVINYL CHLORIDE CLASS 12 FXM REDUCER - 110-75MM

TECHNICAL DRAWINGS

TECHNICAL SPECIFICATIONS

SIZE A (MM)	110MM
SIZE B (MM)	75MM
SIZE C (MM)	N/A
SIZE D	N/A
BRAND	N/A
MANUFACTURER WARRANTY	N/A
MAXIMUM PRESSURE	N/A
MINIMUM PRESSURE	N/A
MAXIMUM TEMPERATURE (°C)	N/A
MINIMUM TEMPERATURE (°C)	N/A
THREAD PITCH (MM)	N/A
THREAD REACH (MM)	N/A
OPERATING TEMPERATURE (°C)	N/A

EXTERNAL MATERIAL	UPVC
INTERNAL MATERIAL	UPVC
STORAGE REQUIREMENTS	CLEAN & DRY
MSDS REQUIRED	N/A
BOX QUANTITY	EACH

SPECIAL INSTRUCTIONS

APPROVALS

SUPERVISOR: STORES	HEAD: ASSETS & SUPPLY CHAIN	HEAD: DEPARTMENT

APPROVALS

STORES STOCK ITEM SPECIFICATION & TECHNICAL DATA SHEET



**BERGRIVIER
MUNICIPALITY**



ITEM NUMBER

WTR-0004035

SHORT
DESCRIPTION

UPVC CLASS 12 FXM REDUCER - 110-100MM

LONG DETAILED
DESCRIPTION

UNPLASTICIZED POLYVINYL CHLORIDE CLASS 12 FXM REDUCER - 110-100MM

TECHNICAL DRAWINGS

TECHNICAL SPECIFICATIONS

SIZE A (MM)	110MM
SIZE B (MM)	100MM
SIZE C (MM)	N/A
SIZE D	N/A
BRAND	N/A
MANUFACTURER WARRANTY	N/A
MAXIMUM PRESSURE	N/A
MINIMUM PRESSURE	N/A
MAXIMUM TEMPERATURE (°C)	N/A
MINIMUM TEMPERATURE (°C)	N/A
THREAD PITCH (MM)	N/A
THREAD REACH (MM)	N/A
OPERATING TEMPERATURE (°C)	N/A

EXTERNAL MATERIAL	UPVC
INTERNAL MATERIAL	UPVC
STORAGE REQUIREMENTS	CLEAN & DRY
MSDS REQUIRED	N/A
BOX QUANTITY	EACH

SPECIAL INSTRUCTIONS

APPROVALS

--

--

--

APPROVALS

SUPERVISOR: STORES

HEAD: ASSETS & SUPPLY CHAIN

HEAD: DEPARTMENT

STORES STOCK ITEM SPECIFICATION & TECHNICAL DATA SHEET



**BERGRIVIER
MUNICIPALITY**



ITEM NUMBER

WTR-0004036

SHORT
DESCRIPTION

UPVC CLASS 12 FXM REDUCER - 150-110MM

LONG DETAILED
DESCRIPTION

UNPLASTICIZED POLYVINYL CHLORIDE CLASS 12 FXM REDUCER - 150-110MM

TECHNICAL DRAWINGS

TECHNICAL SPECIFICATIONS

SIZE A (MM)	150MM
SIZE B (MM)	110MM
SIZE C (MM)	N/A
SIZE D	N/A
BRAND	N/A
MANUFACTURER WARRANTY	N/A
MAXIMUM PRESSURE	N/A
MINIMUM PRESSURE	N/A
MAXIMUM TEMPERATURE (°C)	N/A
MINIMUM TEMPERATURE (°C)	N/A
THREAD PITCH (MM)	N/A
THREAD REACH (MM)	N/A
OPERATING TEMPERATURE (°C)	N/A

EXTERNAL MATERIAL	UPVC
INTERNAL MATERIAL	UPVC
STORAGE REQUIREMENTS	CLEAN & DRY
MSDS REQUIRED	N/A
BOX QUANTITY	EACH

SPECIAL INSTRUCTIONS

APPROVALS

--

--

--

APPROVALS

SUPERVISOR: STORES

HEAD: ASSETS & SUPPLY CHAIN

HEAD: DEPARTMENT

STORES STOCK ITEM SPECIFICATION & TECHNICAL DATA SHEET



**BERGRIVIER
MUNICIPALITY**



ITEM NUMBER

WTR-0004037

SHORT
DESCRIPTION

UPVC CLASS 12 FXM REDUCER - 160-63MM

LONG DETAILED
DESCRIPTION

UNPLASTICIZED POLYVINYL CHLORIDE CLASS FXM REDUCER - 160-63MM

TECHNICAL DRAWINGS

TECHNICAL SPECIFICATIONS

SIZE A (MM)	160MM
SIZE B (MM)	63MM
SIZE C (MM)	N/A
SIZE D	N/A
BRAND	N/A
MANUFACTURER WARRANTY	N/A
MAXIMUM PRESSURE	N/A
MINIMUM PRESSURE	N/A
MAXIMUM TEMPERATURE (°C)	N/A
MINIMUM TEMPERATURE (°C)	N/A
THREAD PITCH (MM)	N/A
THREAD REACH (MM)	N/A
OPERATING TEMPERATURE (°C)	N/A

EXTERNAL MATERIAL	UPVC
INTERNAL MATERIAL	UPVC
STORAGE REQUIREMENTS	CLEAN & DRY
MSDS REQUIRED	N/A
BOX QUANTITY	EACH

SPECIAL INSTRUCTIONS

APPROVALS

APPROVALS

SUPERVISOR: STORES

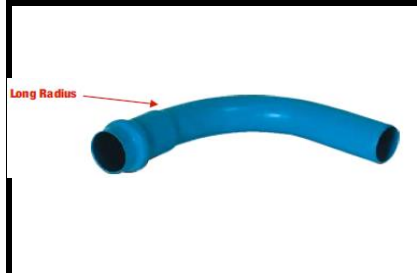
HEAD: ASSETS & SUPPLY CHAIN

HEAD: DEPARTMENT

STORES STOCK ITEM SPECIFICATION & TECHNICAL DATA SHEET



**BERGRIVIER
MUNICIPALITY**



ITEM NUMBER	WTR-0004038
SHORT DESCRIPTION	UPVC CL12 BEND (L-R) - 63MM X 45DEG
LONG DETAILED DESCRIPTION	UNPLASTICIZED POLYVINYL CHLORIDE CL12 BEND (L-R) - 63MM X 45DEG

TECHNICAL DRAWINGS	TECHNICAL SPECIFICATIONS
--------------------	--------------------------

	SIZE A (MM)	63MM
	SIZE B (MM)	N/A
	SIZE C (MM)	N/A
	SIZE D	45DEG
	BRAND	N/A
	MANUFACTURER WARRANTY	N/A
	MAXIMUM PRESSURE	N/A
	MINIMUM PRESSURE	N/A
	MAXIMUM TEMPERATURE (°C)	N/A
	MINIMUM TEMPERATURE (°C)	N/A
	THREAD PITCH (MM)	N/A
	THREAD REACH (MM)	N/A
	OPERATING TEMPERATURE (°C)	N/A

EXTERNAL MATERIAL	UPVC	SPECIAL INSTRUCTIONS
INTERNAL MATERIAL	UPVC	
STORAGE REQUIREMENTS	CLEAN & DRY	
MSDS REQUIRED	N/A	
BOX QUANTITY	EACH	

APPROVALS				APPROVALS
	SUPERVISOR: STORES	HEAD: ASSETS & SUPPLY CHAIN	HEAD: DEPARTMENT	

STORES STOCK ITEM SPECIFICATION & TECHNICAL DATA SHEET



**BERGRIVIER
MUNICIPALITY**



ITEM NUMBER

WTR-0004039

SHORT
DESCRIPTION

UPVC CL12 BEND (L-R) 75MM X 45DEG

LONG DETAILED
DESCRIPTION

UNPLASTICIZED POLYVINYL CHLORIDE CL12 BEND (L-R) 75MM X 45DEG

TECHNICAL DRAWINGS

TECHNICAL SPECIFICATIONS

SIZE A (MM)	75MM
SIZE B (MM)	N/A
SIZE C (MM)	N/A
SIZE D	45DEG
BRAND	N/A
MANUFACTURER WARRANTY	N/A
MAXIMUM PRESSURE	N/A
MINIMUM PRESSURE	N/A
MAXIMUM TEMPERATURE (°C)	N/A
MINIMUM TEMPERATURE (°C)	N/A
THREAD PITCH (MM)	N/A
THREAD REACH (MM)	N/A
OPERATING TEMPERATURE (°C)	N/A

EXTERNAL MATERIAL	UPVC
INTERNAL MATERIAL	UPVC
STORAGE REQUIREMENTS	CLEAN & DRY
MSDS REQUIRED	N/A
BOX QUANTITY	EACH

SPECIAL INSTRUCTIONS

APPROVALS

APPROVALS

SUPERVISOR: STORES

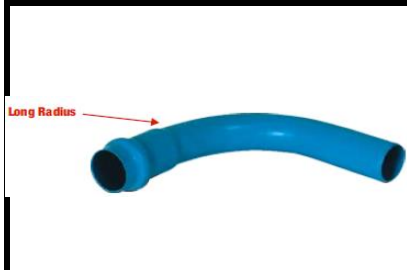
HEAD: ASSETS & SUPPLY CHAIN

HEAD: DEPARTMENT

STORES STOCK ITEM SPECIFICATION & TECHNICAL DATA SHEET



**BERGRIVIER
MUNICIPALITY**



ITEM NUMBER	WTR-0004040
SHORT DESCRIPTION	UPVC CL12 BEND (L-R) 110MM X 45DEG
LONG DETAILED DESCRIPTION	UNPLASTICIZED POLYVINYL CHLORIDE CL12 BEND (L-R) 110MM X 45DEG

TECHNICAL DRAWINGS

TECHNICAL SPECIFICATIONS

SIZE A (MM)	110MM
SIZE B (MM)	N/A
SIZE C (MM)	N/A
SIZE D	45DEG
BRAND	N/A
MANUFACTURER WARRANTY	N/A
MAXIMUM PRESSURE	N/A
MINIMUM PRESSURE	N/A
MAXIMUM TEMPERATURE (°C)	N/A
MINIMUM TEMPERATURE (°C)	N/A
THREAD PITCH (MM)	N/A
THREAD REACH (MM)	N/A
OPERATING TEMPERATURE (°C)	N/A

EXTERNAL MATERIAL	UPVC
INTERNAL MATERIAL	UPVC
STORAGE REQUIREMENTS	CLEAN & DRY
MSDS REQUIRED	N/A
BOX QUANTITY	EACH

SPECIAL INSTRUCTIONS	

APPROVALS				APPROVALS
	SUPERVISOR: STORES	HEAD: ASSETS & SUPPLY CHAIN	HEAD: DEPARTMENT	

STORES STOCK ITEM SPECIFICATION & TECHNICAL DATA SHEET



**BERGRIVIER
MUNICIPALITY**



ITEM NUMBER

WTR-0004041

SHORT
DESCRIPTION

UPVC CL12 BEND (L-R) 63MM X 90DEG

LONG DETAILED
DESCRIPTION

UNPLASTICIZED POLYVINYL CHLORIDE CL12 BEND (L-R) 63MM X 90DEG

TECHNICAL DRAWINGS

TECHNICAL SPECIFICATIONS

SIZE A (MM)	63MM
SIZE B (MM)	N/A
SIZE C (MM)	N/A
SIZE D	90DEG
BRAND	N/A
MANUFACTURER WARRANTY	N/A
MAXIMUM PRESSURE	N/A
MINIMUM PRESSURE	N/A
MAXIMUM TEMPERATURE (°C)	N/A
MINIMUM TEMPERATURE (°C)	N/A
THREAD PITCH (MM)	N/A
THREAD REACH (MM)	N/A
OPERATING TEMPERATURE (°C)	N/A

EXTERNAL MATERIAL	UPVC
INTERNAL MATERIAL	UPVC
STORAGE REQUIREMENTS	CLEAN & DRY
MSDS REQUIRED	N/A
BOX QUANTITY	EACH

SPECIAL INSTRUCTIONS

APPROVALS

APPROVALS

SUPERVISOR: STORES

HEAD: ASSETS & SUPPLY CHAIN

HEAD: DEPARTMENT

STORES STOCK ITEM SPECIFICATION & TECHNICAL DATA SHEET



**BERGRIVIER
MUNICIPALITY**



ITEM NUMBER

WTR-0004042

SHORT
DESCRIPTION

UPVC CL12 BEND (L-R) 75MM X 90DEG

LONG DETAILED
DESCRIPTION

UNPLASTICIZED POLYVINYL CHLORIDE CL12 BEND (L-R) 75MM X 90DEG

TECHNICAL DRAWINGS

TECHNICAL SPECIFICATIONS

SIZE A (MM)	75MM
SIZE B (MM)	N/A
SIZE C (MM)	N/A
SIZE D	90DEG
BRAND	N/A
MANUFACTURER WARRANTY	N/A
MAXIMUM PRESSURE	N/A
MINIMUM PRESSURE	N/A
MAXIMUM TEMPERATURE (°C)	N/A
MINIMUM TEMPERATURE (°C)	N/A
THREAD PITCH (MM)	N/A
THREAD REACH (MM)	N/A
OPERATING TEMPERATURE (°C)	N/A

EXTERNAL MATERIAL	UPVC
INTERNAL MATERIAL	UPVC
STORAGE REQUIREMENTS	CLEAN & DRY
MSDS REQUIRED	N/A
BOX QUANTITY	EACH

SPECIAL INSTRUCTIONS

APPROVALS

APPROVALS

SUPERVISOR: STORES

HEAD: ASSETS & SUPPLY CHAIN

HEAD: DEPARTMENT

STORES STOCK ITEM SPECIFICATION & TECHNICAL DATA SHEET



**BERGRIVIER
MUNICIPALITY**



ITEM NUMBER	WTR-0004043
SHORT DESCRIPTION	UPVC CL12 BEND (L-R) 110MM X 90DEG
LONG DETAILED DESCRIPTION	UNPLASTICIZED POLYVINYL CHLORIDE CL12 BEND (L-R) 110MM X 90DEG

TECHNICAL DRAWINGS	TECHNICAL SPECIFICATIONS
--------------------	--------------------------

	SIZE A (MM)	110MM
	SIZE B (MM)	N/A
	SIZE C (MM)	N/A
	SIZE D	90DEG
	BRAND	N/A
	MANUFACTURER WARRANTY	N/A
	MAXIMUM PRESSURE	N/A
	MINIMUM PRESSURE	N/A
	MAXIMUM TEMPERATURE (°C)	N/A
	MINIMUM TEMPERATURE (°C)	N/A
	THREAD PITCH (MM)	N/A
	THREAD REACH (MM)	N/A
	OPERATING TEMPERATURE (°C)	N/A

EXTERNAL MATERIAL	UPVC	SPECIAL INSTRUCTIONS
INTERNAL MATERIAL	UPVC	
STORAGE REQUIREMENTS	CLEAN & DRY	
MSDS REQUIRED	N/A	
BOX QUANTITY	EACH	

APPROVALS				APPROVALS
	SUPERVISOR: STORES	HEAD: ASSETS & SUPPLY CHAIN	HEAD: DEPARTMENT	

STORES STOCK ITEM SPECIFICATION & TECHNICAL DATA SHEET

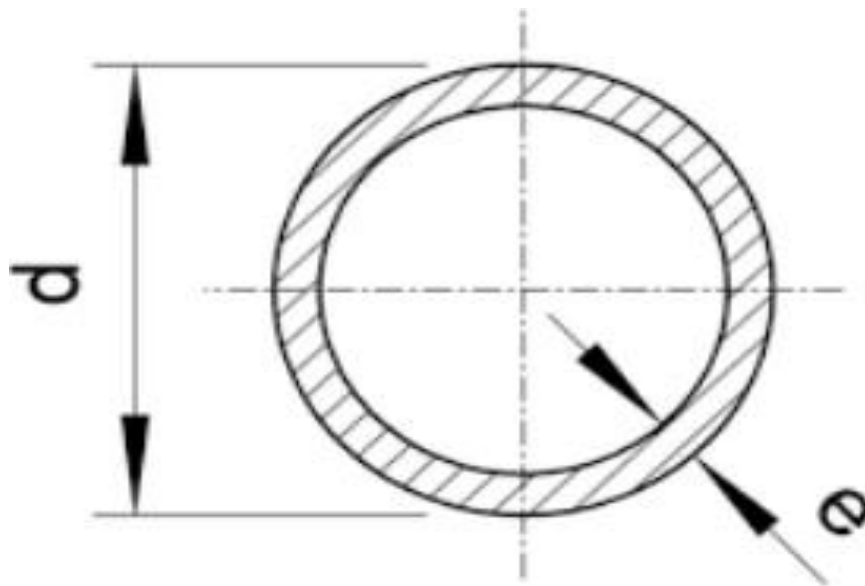


**BERGRIVIER
MUNICIPALITY**



ITEM NUMBER	WTR-0004044
SHORT DESCRIPTION	UPVC CLASS 6 PIPE - 110MM
LONG DETAILED DESCRIPTION	UNPLASTICIZED POLYVINYL CHLORIDE CLASS 6 PIPE - 110MM

TECHNICAL DRAWINGS



TECHNICAL SPECIFICATIONS

SIZE A (MM)	110MM
SIZE B (MM)	N/A
SIZE C (MM)	N/A
SIZE D	N/A
BRAND	N/A
MANUFACTURER WARRANTY	N/A
MAXIMUM PRESSURE	N/A
MINIMUM PRESSURE	N/A
MAXIMUM TEMPERATURE (°C)	N/A
MINIMUM TEMPERATURE (°C)	N/A
THREAD PITCH (MM)	N/A
THREAD REACH (MM)	N/A
OPERATING TEMPERATURE (°C)	N/A

EXTERNAL MATERIAL	UPVC
INTERNAL MATERIAL	UPVC
STORAGE REQUIREMENTS	CLEAN & DRY
MSDS REQUIRED	N/A
BOX QUANTITY	EACH

SPECIAL INSTRUCTIONS

APPROVALS

APPROVALS

SUPERVISOR: STORES

HEAD: ASSETS & SUPPLY CHAIN

HEAD: DEPARTMENT

STORES STOCK ITEM SPECIFICATION & TECHNICAL DATA SHEET

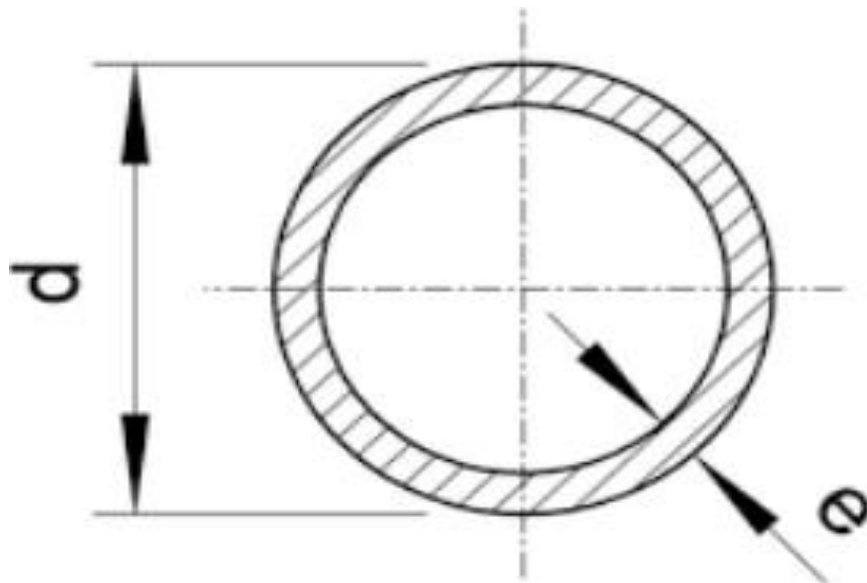


**BERGRIVIER
MUNICIPALITY**



ITEM NUMBER	WTR-0004045
SHORT DESCRIPTION	UPVC CLASS 6 PIPE - 160MM
LONG DETAILED DESCRIPTION	UNPLASTICIZED POLYVINYL CHLORIDE CLASS 6 PIPE - 160MM

TECHNICAL DRAWINGS



TECHNICAL SPECIFICATIONS

SIZE A (MM)	160MM
SIZE B (MM)	N/A
SIZE C (MM)	N/A
SIZE D	N/A
BRAND	N/A
MANUFACTURER WARRANTY	N/A
MAXIMUM PRESSURE	N/A
MINIMUM PRESSURE	N/A
MAXIMUM TEMPERATURE (°C)	N/A
MINIMUM TEMPERATURE (°C)	N/A
THREAD PITCH (MM)	N/A
THREAD REACH (MM)	N/A
OPERATING TEMPERATURE (°C)	N/A

EXTERNAL MATERIAL	UPVC
INTERNAL MATERIAL	UPVC
STORAGE REQUIREMENTS	CLEAN & DRY
MSDS REQUIRED	N/A
BOX QUANTITY	EACH

SPECIAL INSTRUCTIONS

APPROVALS

APPROVALS

SUPERVISOR: STORES

HEAD: ASSETS & SUPPLY CHAIN

HEAD: DEPARTMENT

STORES STOCK ITEM SPECIFICATION & TECHNICAL DATA SHEET



**BERGRIVIER
MUNICIPALITY**



ITEM NUMBER

WTR-0004046

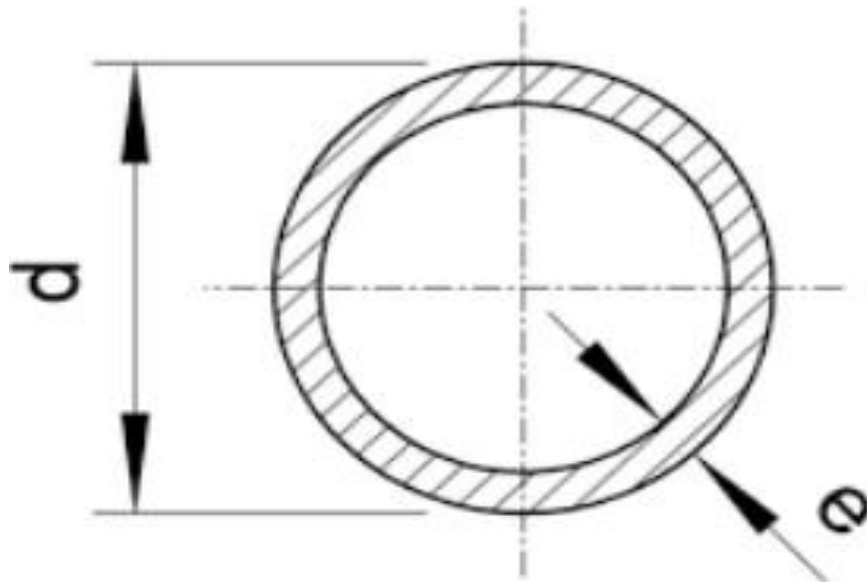
SHORT
DESCRIPTION

UPVC CLASS 12 PIPE - 50MM

LONG DETAILED
DESCRIPTION

UNPLASTICIZED POLYVINYL CHLORIDE CLASS 12 PIPE - 50MM

TECHNICAL DRAWINGS



TECHNICAL SPECIFICATIONS

SIZE A (MM)	50MM
SIZE B (MM)	N/A
SIZE C (MM)	N/A
SIZE D	N/A
BRAND	N/A
MANUFACTURER WARRANTY	N/A
MAXIMUM PRESSURE	N/A
MINIMUM PRESSURE	N/A
MAXIMUM TEMPERATURE (°C)	N/A
MINIMUM TEMPERATURE (°C)	N/A
THREAD PITCH (MM)	N/A
THREAD REACH (MM)	N/A
OPERATING TEMPERATURE (°C)	N/A

EXTERNAL MATERIAL	UPVC
INTERNAL MATERIAL	UPVC
STORAGE REQUIREMENTS	CLEAN & DRY
MSDS REQUIRED	N/A
BOX QUANTITY	EACH

SPECIAL INSTRUCTIONS

APPROVALS

APPROVALS

SUPERVISOR: STORES

HEAD: ASSETS & SUPPLY CHAIN

HEAD: DEPARTMENT

STORES STOCK ITEM SPECIFICATION & TECHNICAL DATA SHEET

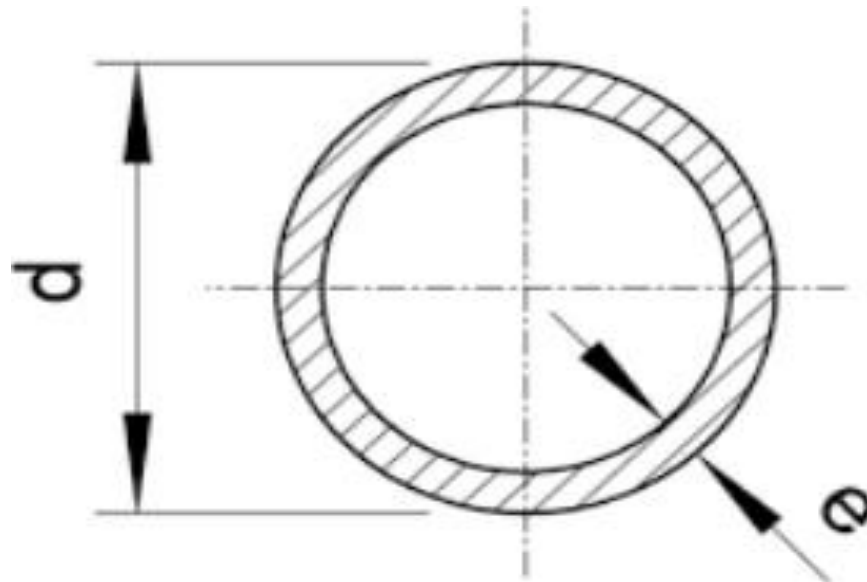


**BERGRIVIER
MUNICIPALITY**



ITEM NUMBER	WTR-0004047
SHORT DESCRIPTION	UPVC CLASS 12 PIPE - 63 MM
LONG DETAILED DESCRIPTION	UNPLASTICIZED POLYVINYL CHLORIDE CLASS 12 PIPE - 63 MM

TECHNICAL DRAWINGS



TECHNICAL SPECIFICATIONS

SIZE A (MM)	63MM
SIZE B (MM)	N/A
SIZE C (MM)	N/A
SIZE D	N/A
BRAND	N/A
MANUFACTURER WARRANTY	N/A
MAXIMUM PRESSURE	N/A
MINIMUM PRESSURE	N/A
MAXIMUM TEMPERATURE (°C)	N/A
MINIMUM TEMPERATURE (°C)	N/A
THREAD PITCH (MM)	N/A
THREAD REACH (MM)	N/A
OPERATING TEMPERATURE (°C)	N/A

EXTERNAL MATERIAL	UPVC
INTERNAL MATERIAL	UPVC
STORAGE REQUIREMENTS	CLEAN & DRY
MSDS REQUIRED	N/A
BOX QUANTITY	EACH

SPECIAL INSTRUCTIONS

APPROVALS

APPROVALS

SUPERVISOR: STORES

HEAD: ASSETS & SUPPLY CHAIN

HEAD: DEPARTMENT

STORES STOCK ITEM SPECIFICATION & TECHNICAL DATA SHEET

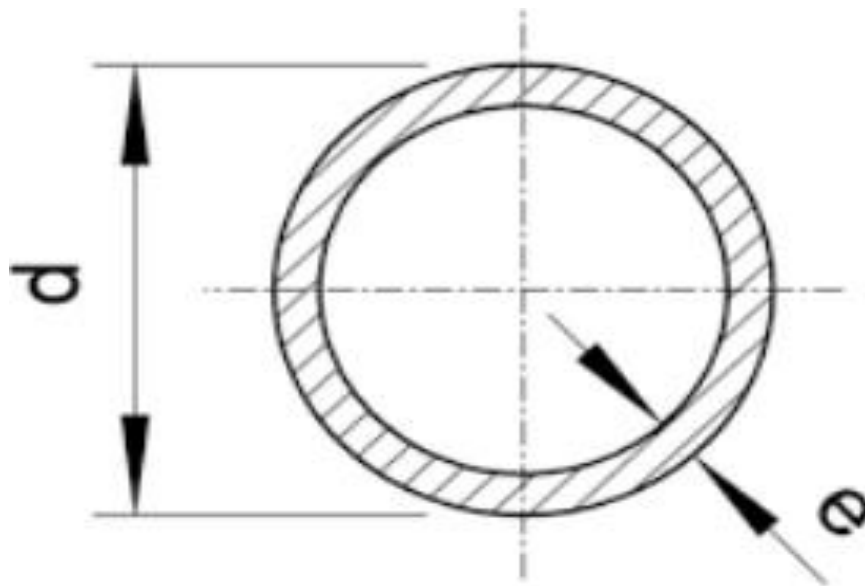


**BERGRIVIER
MUNICIPALITY**



ITEM NUMBER	WTR-0004048
SHORT DESCRIPTION	UPVC CLASS 12 PIPE - 75MM
LONG DETAILED DESCRIPTION	UNPLASTICIZED POLYVINYL CHLORIDE 12 PIPE - 75MM

TECHNICAL DRAWINGS



TECHNICAL SPECIFICATIONS

SIZE A (MM)	75MM
SIZE B (MM)	N/A
SIZE C (MM)	N/A
SIZE D	N/A
BRAND	N/A
MANUFACTURER WARRANTY	N/A
MAXIMUM PRESSURE	N/A
MINIMUM PRESSURE	N/A
MAXIMUM TEMPERATURE (°C)	N/A
MINIMUM TEMPERATURE (°C)	N/A
THREAD PITCH (MM)	N/A
THREAD REACH (MM)	N/A
OPERATING TEMPERATURE (°C)	N/A

EXTERNAL MATERIAL	UPVC
INTERNAL MATERIAL	UPVC
STORAGE REQUIREMENTS	CLEAN & DRY
MSDS REQUIRED	N/A
BOX QUANTITY	EACH

SPECIAL INSTRUCTIONS

APPROVALS

APPROVALS

SUPERVISOR: STORES

HEAD: ASSETS & SUPPLY CHAIN

HEAD: DEPARTMENT

STORES STOCK ITEM SPECIFICATION & TECHNICAL DATA SHEET



**BERGRIVIER
MUNICIPALITY**



ITEM NUMBER

WTR-0004049

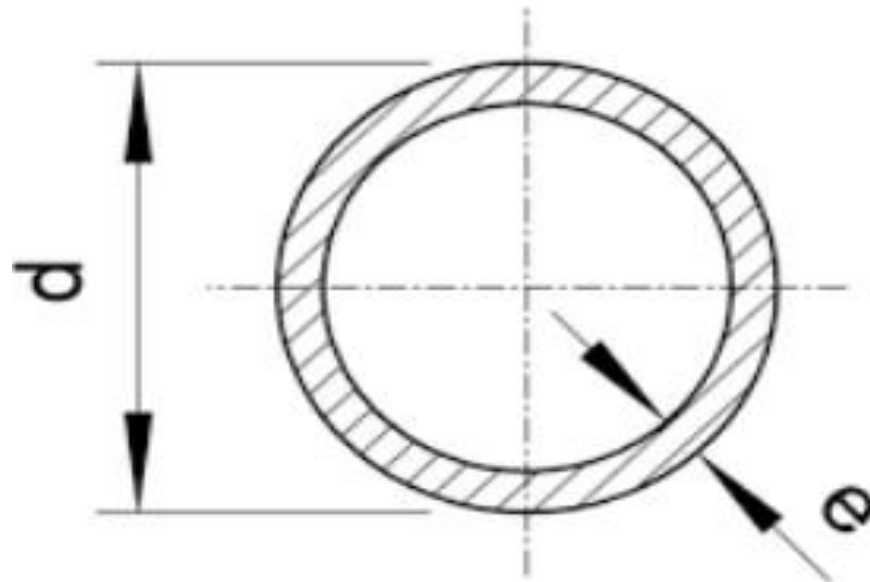
SHORT
DESCRIPTION

UPVC CLASS 12 PIPE - 90MM

LONG DETAILED
DESCRIPTION

UNPLASTICIZED POLYVINYL CHLORIDE 12 PIPE - 90MM

TECHNICAL DRAWINGS



TECHNICAL SPECIFICATIONS

SIZE A (MM)	90MM
SIZE B (MM)	N/A
SIZE C (MM)	N/A
SIZE D	N/A
BRAND	N/A
MANUFACTURER WARRANTY	N/A
MAXIMUM PRESSURE	N/A
MINIMUM PRESSURE	N/A
MAXIMUM TEMPERATURE (°C)	N/A
MINIMUM TEMPERATURE (°C)	N/A
THREAD PITCH (MM)	N/A
THREAD REACH (MM)	N/A
OPERATING TEMPERATURE (°C)	N/A

EXTERNAL MATERIAL	UPVC
INTERNAL MATERIAL	UPVC
STORAGE REQUIREMENTS	CLEAN & DRY
MSDS REQUIRED	N/A
BOX QUANTITY	EACH

SPECIAL INSTRUCTIONS

APPROVALS

--

--

--

APPROVALS

SUPERVISOR: STORES

HEAD: ASSETS & SUPPLY CHAIN

HEAD: DEPARTMENT

STORES STOCK ITEM SPECIFICATION & TECHNICAL DATA SHEET

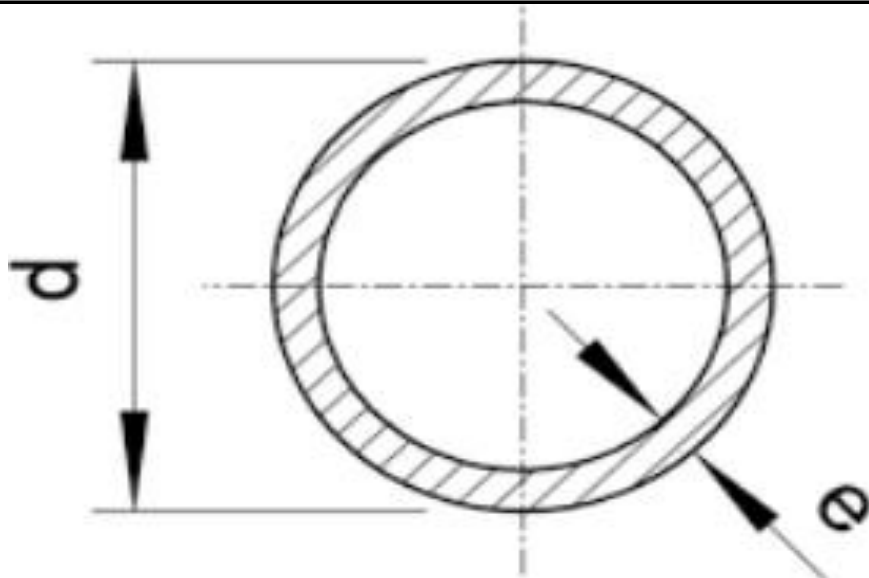


**BERGRIVIER
MUNICIPALITY**



ITEM NUMBER	WTR-0004050
SHORT DESCRIPTION	UPVC CLASS 12 PIPE - 110MM
LONG DETAILED DESCRIPTION	UNPLASTICIZED POLYVINYL CHLORIDE CLASS 12 PIPE - 110MM

TECHNICAL DRAWINGS



TECHNICAL SPECIFICATIONS

SIZE A (MM)	110MM
SIZE B (MM)	N/A
SIZE C (MM)	N/A
SIZE D	N/A
BRAND	N/A
MANUFACTURER WARRANTY	N/A
MAXIMUM PRESSURE	N/A
MINIMUM PRESSURE	N/A
MAXIMUM TEMPERATURE (°C)	N/A
MINIMUM TEMPERATURE (°C)	N/A
THREAD PITCH (MM)	N/A
THREAD REACH (MM)	N/A
OPERATING TEMPERATURE (°C)	N/A

EXTERNAL MATERIAL	UPVC
INTERNAL MATERIAL	UPVC
STORAGE REQUIREMENTS	CLEAN & DRY
MSDS REQUIRED	N/A
BOX QUANTITY	EACH

SPECIAL INSTRUCTIONS

APPROVALS

APPROVALS

SUPERVISOR: STORES

HEAD: ASSETS & SUPPLY CHAIN

HEAD: DEPARTMENT

STORES STOCK ITEM SPECIFICATION & TECHNICAL DATA SHEET

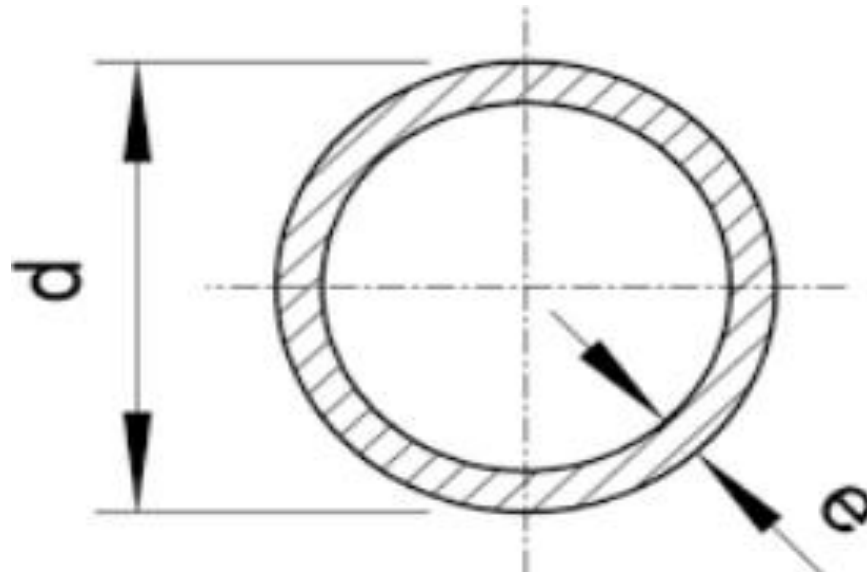


**BERGRIVIER
MUNICIPALITY**



ITEM NUMBER	WTR-0004051
SHORT DESCRIPTION	UPVC CLASS 12 PIPE - 160MM
LONG DETAILED DESCRIPTION	UPVC POLYVINYL CHLORIDE CLASS 12 REPAIR COUPLING - 359X372MM CLASS 12

TECHNICAL DRAWINGS



TECHNICAL SPECIFICATIONS

SIZE A (MM)	160MM
SIZE B (MM)	N/A
SIZE C (MM)	N/A
SIZE D	N/A
BRAND	N/A
MANUFACTURER WARRANTY	N/A
MAXIMUM PRESSURE	N/A
MINIMUM PRESSURE	N/A
MAXIMUM TEMPERATURE (°C)	N/A
MINIMUM TEMPERATURE (°C)	N/A
THREAD PITCH (MM)	N/A
THREAD REACH (MM)	N/A
OPERATING TEMPERATURE (°C)	N/A

EXTERNAL MATERIAL	UPVC
INTERNAL MATERIAL	UPVC
STORAGE REQUIREMENTS	CLEAN & DRY
MSDS REQUIRED	N/A
BOX QUANTITY	EACH

SPECIAL INSTRUCTIONS

APPROVALS

APPROVALS

SUPERVISOR: STORES

HEAD: ASSETS & SUPPLY CHAIN

HEAD: DEPARTMENT

STORES STOCK ITEM SPECIFICATION & TECHNICAL DATA SHEET



**BERGRIVIER
MUNICIPALITY**



ITEM NUMBER

WTR-0004052

SHORT
DESCRIPTION

UPVC CLASS 12 T-PIECE - 110MM

LONG DETAILED
DESCRIPTION

UNPLASTICIZED POLYVINYL CHLORIDE CLASS 12 T-PIECE - 110MM

TECHNICAL DRAWINGS

TECHNICAL SPECIFICATIONS

SIZE A (MM)	110MM
SIZE B (MM)	110MM
SIZE C (MM)	110MM
SIZE D	N/A
BRAND	N/A
MANUFACTURER WARRANTY	N/A
MAXIMUM PRESSURE	N/A
MINIMUM PRESSURE	N/A
MAXIMUM TEMPERATURE (°C)	N/A
MINIMUM TEMPERATURE (°C)	N/A
THREAD PITCH (MM)	N/A
THREAD REACH (MM)	N/A
OPERATING TEMPERATURE (°C)	N/A

EXTERNAL MATERIAL	UPVC
INTERNAL MATERIAL	UPVC
STORAGE REQUIREMENTS	CLEAN & DRY
MSDS REQUIRED	N/A
BOX QUANTITY	EACH

SPECIAL INSTRUCTIONS

APPROVALS

APPROVALS

SUPERVISOR: STORES

HEAD: ASSETS & SUPPLY CHAIN

HEAD: DEPARTMENT

STORES STOCK ITEM SPECIFICATION & TECHNICAL DATA SHEET



**BERGRIVIER
MUNICIPALITY**



ITEM NUMBER

WTR-0004053

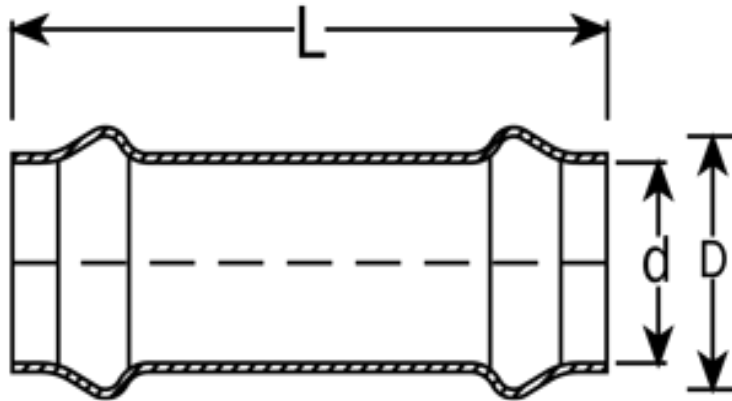
SHORT
DESCRIPTION

UPVC CLASS 12 REPAIR COUPLING - 50MM

LONG DETAILED
DESCRIPTION

UNPLASTICIZED POLYVINYL CHLORIDE CLASS 12 REPAIR COUPLING - 50MM

TECHNICAL DRAWINGS



TECHNICAL SPECIFICATIONS

SIZE A (MM)	50MM
SIZE B (MM)	N/A
SIZE C (MM)	N/A
SIZE D	N/A
BRAND	N/A
MANUFACTURER WARRANTY	N/A
MAXIMUM PRESSURE	N/A
MINIMUM PRESSURE	N/A
MAXIMUM TEMPERATURE (°C)	N/A
MINIMUM TEMPERATURE (°C)	N/A
THREAD PITCH (MM)	N/A
THREAD REACH (MM)	N/A
OPERATING TEMPERATURE (°C)	N/A

EXTERNAL MATERIAL	UPVC
INTERNAL MATERIAL	UPVC
STORAGE REQUIREMENTS	CLEAN & DRY
MSDS REQUIRED	N/A
BOX QUANTITY	EACH

SPECIAL INSTRUCTIONS

APPROVALS

SUPERVISOR: STORES

HEAD: ASSETS & SUPPLY CHAIN

HEAD: DEPARTMENT

APPROVALS

STORES STOCK ITEM SPECIFICATION & TECHNICAL DATA SHEET

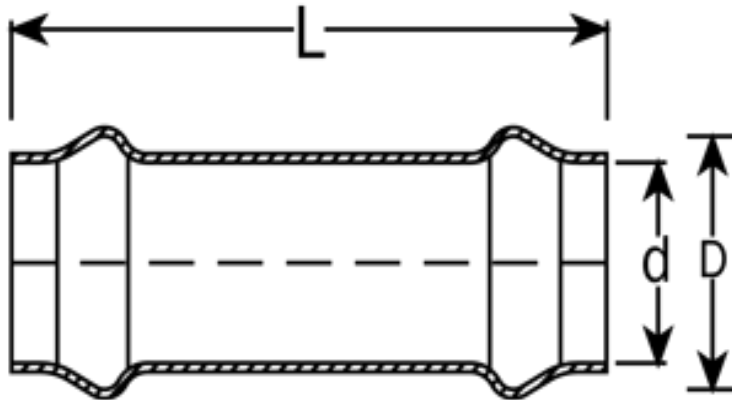


**BERGRIVIER
MUNICIPALITY**



ITEM NUMBER	WTR-0004054
SHORT DESCRIPTION	UPVC CLASS 12 REPAIR COUPLING - 63MM
LONG DETAILED DESCRIPTION	UNPLASTICIZED POLYVINYL CHLORIDE CLASS 12 REPAIR COUPLING - 63MM

TECHNICAL DRAWINGS



TECHNICAL SPECIFICATIONS

SIZE A (MM)	63MM
SIZE B (MM)	N/A
SIZE C (MM)	N/A
SIZE D	N/A
BRAND	N/A
MANUFACTURER WARRANTY	N/A
MAXIMUM PRESSURE	N/A
MINIMUM PRESSURE	N/A
MAXIMUM TEMPERATURE (°C)	N/A
MINIMUM TEMPERATURE (°C)	N/A
THREAD PITCH (MM)	N/A
THREAD REACH (MM)	N/A
OPERATING TEMPERATURE (°C)	N/A

EXTERNAL MATERIAL	UPVC
INTERNAL MATERIAL	UPVC
STORAGE REQUIREMENTS	CLEAN & DRY
MSDS REQUIRED	N/A
BOX QUANTITY	EACH

SPECIAL INSTRUCTIONS

APPROVALS

APPROVALS

SUPERVISOR: STORES

HEAD: ASSETS & SUPPLY CHAIN

HEAD: DEPARTMENT

STORES STOCK ITEM SPECIFICATION & TECHNICAL DATA SHEET



**BERGRIVIER
MUNICIPALITY**



ITEM NUMBER

WTR-0004055

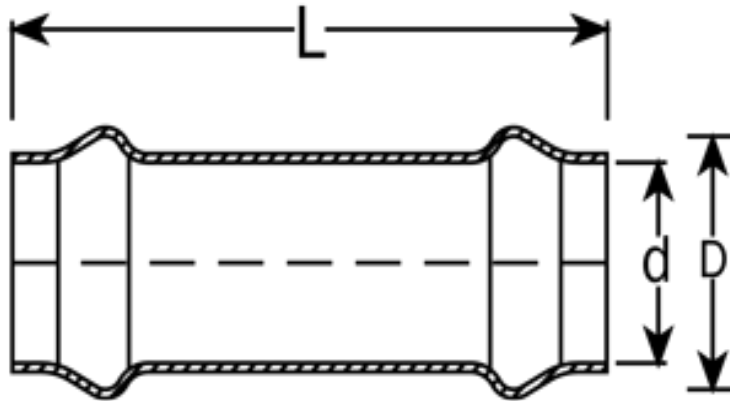
SHORT
DESCRIPTION

UPVC CLASS 12 REPAIR COUPLING - 75MM

LONG DETAILED
DESCRIPTION

UNPLASTICIZED POLYVINYL CHLORIDE CLASS 12 REPAIR COUPLING - 75MM

TECHNICAL DRAWINGS



TECHNICAL SPECIFICATIONS

SIZE A (MM)	75MM
SIZE B (MM)	N/A
SIZE C (MM)	N/A
SIZE D	N/A
BRAND	N/A
MANUFACTURER WARRANTY	N/A
MAXIMUM PRESSURE	N/A
MINIMUM PRESSURE	N/A
MAXIMUM TEMPERATURE (°C)	N/A
MINIMUM TEMPERATURE (°C)	N/A
THREAD PITCH (MM)	N/A
THREAD REACH (MM)	N/A
OPERATING TEMPERATURE (°C)	N/A

EXTERNAL MATERIAL	UPVC
INTERNAL MATERIAL	UPVC
STORAGE REQUIREMENTS	CLEAN & DRY
MSDS REQUIRED	N/A
BOX QUANTITY	EACH

SPECIAL INSTRUCTIONS

APPROVALS

APPROVALS

SUPERVISOR: STORES

HEAD: ASSETS & SUPPLY CHAIN

HEAD: DEPARTMENT

STORES STOCK ITEM SPECIFICATION & TECHNICAL DATA SHEET



**BERGRIVIER
MUNICIPALITY**



ITEM NUMBER

WTR-0004056

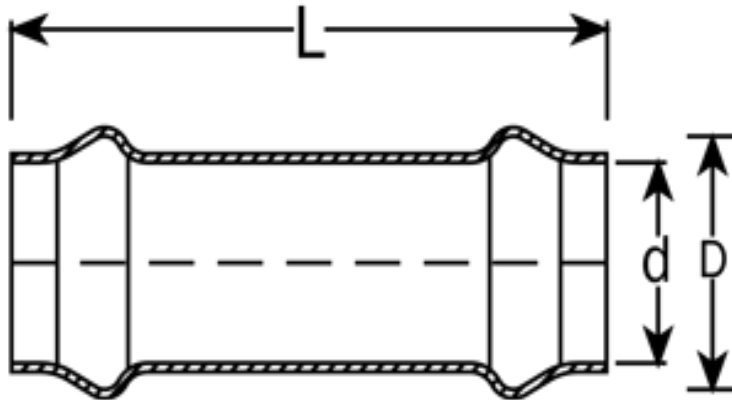
SHORT
DESCRIPTION

UPVC CLASS 12 REPAIR COUPLING - 110MM

LONG DETAILED
DESCRIPTION

UNPLASTICIZED POLYVINYL CHLORIDE CLASS 12 REPAIR COUPLING - 110MM

TECHNICAL DRAWINGS



TECHNICAL SPECIFICATIONS

SIZE A (MM)	110MM
SIZE B (MM)	N/A
SIZE C (MM)	N/A
SIZE D	N/A
BRAND	N/A
MANUFACTURER WARRANTY	N/A
MAXIMUM PRESSURE	N/A
MINIMUM PRESSURE	N/A
MAXIMUM TEMPERATURE (°C)	N/A
MINIMUM TEMPERATURE (°C)	N/A
THREAD PITCH (MM)	N/A
THREAD REACH (MM)	N/A
OPERATING TEMPERATURE (°C)	N/A

EXTERNAL MATERIAL	UPVC
INTERNAL MATERIAL	UPVC
STORAGE REQUIREMENTS	CLEAN & DRY
MSDS REQUIRED	N/A
BOX QUANTITY	EACH

SPECIAL INSTRUCTIONS

APPROVALS

SUPERVISOR: STORES

HEAD: ASSETS & SUPPLY CHAIN

HEAD: DEPARTMENT

APPROVALS

STORES STOCK ITEM SPECIFICATION & TECHNICAL DATA SHEET



**BERGRIVIER
MUNICIPALITY**



ITEM NUMBER

WTR-0004057

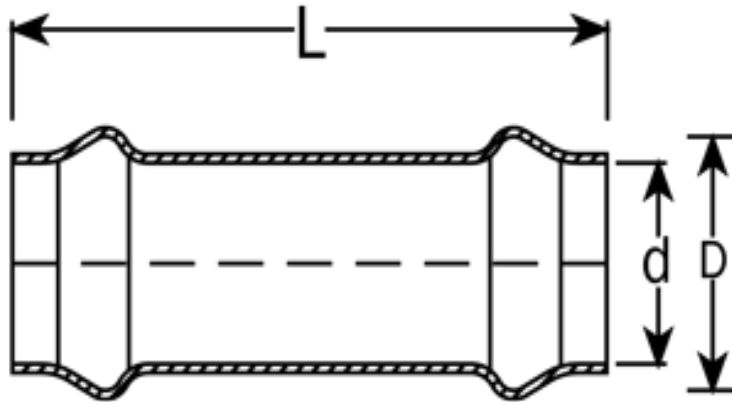
SHORT
DESCRIPTION

UPVC CLASS 12 REPAIR COUPLING - 125MM

LONG DETAILED
DESCRIPTION

UNPLASTICIZED POLYVINYL CHLORIDE CLASS 12 REPAIR COUPLING - 125MM

TECHNICAL DRAWINGS



TECHNICAL SPECIFICATIONS

SIZE A (MM)	125MM
SIZE B (MM)	N/A
SIZE C (MM)	N/A
SIZE D	N/A
BRAND	N/A
MANUFACTURER WARRANTY	N/A
MAXIMUM PRESSURE	N/A
MINIMUM PRESSURE	N/A
MAXIMUM TEMPERATURE (°C)	N/A
MINIMUM TEMPERATURE (°C)	N/A
THREAD PITCH (MM)	N/A
THREAD REACH (MM)	N/A
OPERATING TEMPERATURE (°C)	N/A

EXTERNAL MATERIAL	UPVC
INTERNAL MATERIAL	UPVC
STORAGE REQUIREMENTS	CLEAN & DRY
MSDS REQUIRED	N/A
BOX QUANTITY	EACH

SPECIAL INSTRUCTIONS

APPROVALS

APPROVALS

SUPERVISOR: STORES

HEAD: ASSETS & SUPPLY CHAIN

HEAD: DEPARTMENT

STORES STOCK ITEM SPECIFICATION & TECHNICAL DATA SHEET



**BERGRIVIER
MUNICIPALITY**



ITEM NUMBER

WTR-0004058

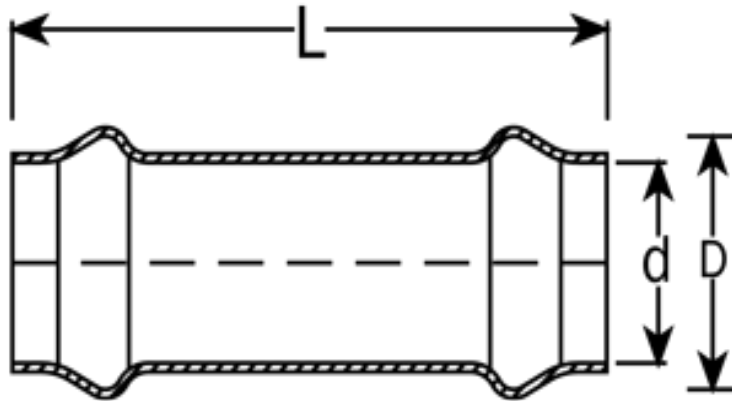
SHORT
DESCRIPTION

UPVC CLASS 12 REPAIR COUPLING - 160MM

LONG DETAILED
DESCRIPTION

UNPLASTICIZED POLYVINYL CHLORIDE CLASS 12 REPAIR COUPLING - 160MM

TECHNICAL DRAWINGS



TECHNICAL SPECIFICATIONS

SIZE A (MM)	160MM
SIZE B (MM)	N/A
SIZE C (MM)	N/A
SIZE D	N/A
BRAND	N/A
MANUFACTURER WARRANTY	N/A
MAXIMUM PRESSURE	N/A
MINIMUM PRESSURE	N/A
MAXIMUM TEMPERATURE (°C)	N/A
MINIMUM TEMPERATURE (°C)	N/A
THREAD PITCH (MM)	N/A
THREAD REACH (MM)	N/A
OPERATING TEMPERATURE (°C)	N/A

EXTERNAL MATERIAL	UPVC
INTERNAL MATERIAL	UPVC
STORAGE REQUIREMENTS	CLEAN & DRY
MSDS REQUIRED	N/A
BOX QUANTITY	EACH

SPECIAL INSTRUCTIONS

APPROVALS

APPROVALS

SUPERVISOR: STORES

HEAD: ASSETS & SUPPLY CHAIN

HEAD: DEPARTMENT

STORES STOCK ITEM SPECIFICATION & TECHNICAL DATA SHEET



**BERGRIVIER
MUNICIPALITY**



ITEM NUMBER

WTR-0004059

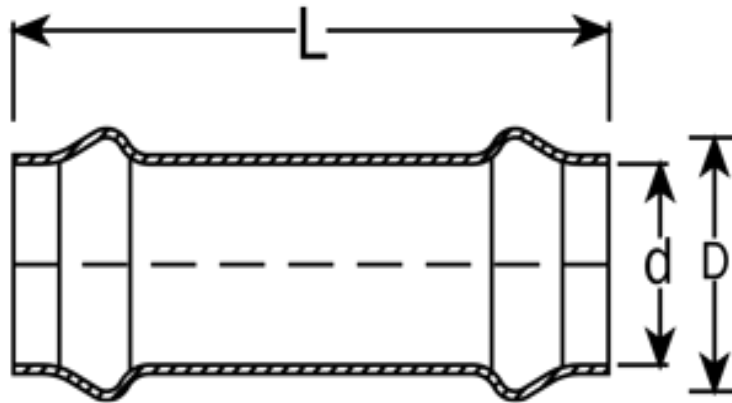
SHORT
DESCRIPTION

UPVC CLASS 12 REPAIR COUPLING - 374X394MM

LONG DETAILED
DESCRIPTION

UNPLASTICIZED POLYVINYL CHLORIDE CLASS 12 REPAIR COUPLING -
374X394MM

TECHNICAL DRAWINGS



TECHNICAL SPECIFICATIONS

SIZE A (MM)	374MM
SIZE B (MM)	394MM
SIZE C (MM)	N/A
SIZE D	N/A
BRAND	N/A
MANUFACTURER WARRANTY	N/A
MAXIMUM PRESSURE	N/A
MINIMUM PRESSURE	N/A
MAXIMUM TEMPERATURE (°C)	N/A
MINIMUM TEMPERATURE (°C)	N/A
THREAD PITCH (MM)	N/A
THREAD REACH (MM)	N/A
OPERATING TEMPERATURE (°C)	N/A

EXTERNAL MATERIAL	UPVC
INTERNAL MATERIAL	UPVC
STORAGE REQUIREMENTS	CLEAN & DRY
MSDS REQUIRED	N/A
BOX QUANTITY	EACH

SPECIAL INSTRUCTIONS

APPROVALS

APPROVALS

SUPERVISOR: STORES

HEAD: ASSETS & SUPPLY CHAIN

HEAD: DEPARTMENT

STORES STOCK ITEM SPECIFICATION & TECHNICAL DATA SHEET

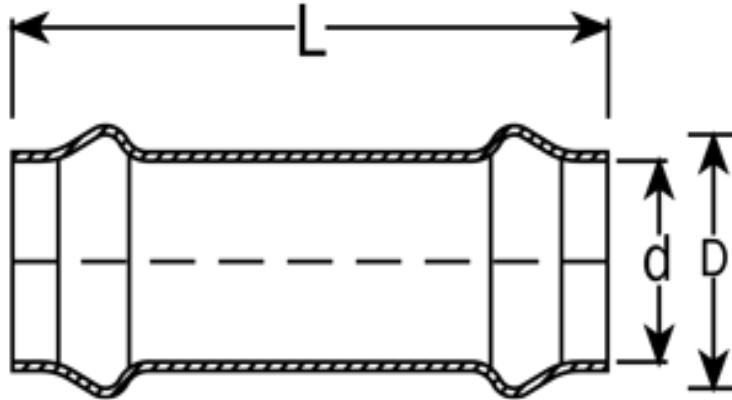


**BERGRIVIER
MUNICIPALITY**



ITEM NUMBER	WTR-0004060
SHORT DESCRIPTION	UPVC CLASS 12 REPAIR COUPLING - 359X372MM
LONG DETAILED DESCRIPTION	UNPLASTICIZED POLYVINYL CHLORIDE CLASS 12 REPAIR COUPLING - 359X372MM

TECHNICAL DRAWINGS



TECHNICAL SPECIFICATIONS

SIZE A (MM)	359MM
SIZE B (MM)	372MM
SIZE C (MM)	N/A
SIZE D	N/A
BRAND	N/A
MANUFACTURER WARRANTY	N/A
MAXIMUM PRESSURE	N/A
MINIMUM PRESSURE	N/A
MAXIMUM TEMPERATURE (°C)	N/A
MINIMUM TEMPERATURE (°C)	N/A
THREAD PITCH (MM)	N/A
THREAD REACH (MM)	N/A
OPERATING TEMPERATURE (°C)	N/A

EXTERNAL MATERIAL	UPVC
INTERNAL MATERIAL	UPVC
STORAGE REQUIREMENTS	CLEAN & DRY
MSDS REQUIRED	N/A
BOX QUANTITY	EACH

SPECIAL INSTRUCTIONS

APPROVALS

APPROVALS

SUPERVISOR: STORES

HEAD: ASSETS & SUPPLY CHAIN

HEAD: DEPARTMENT

STORES STOCK ITEM SPECIFICATION & TECHNICAL DATA SHEET

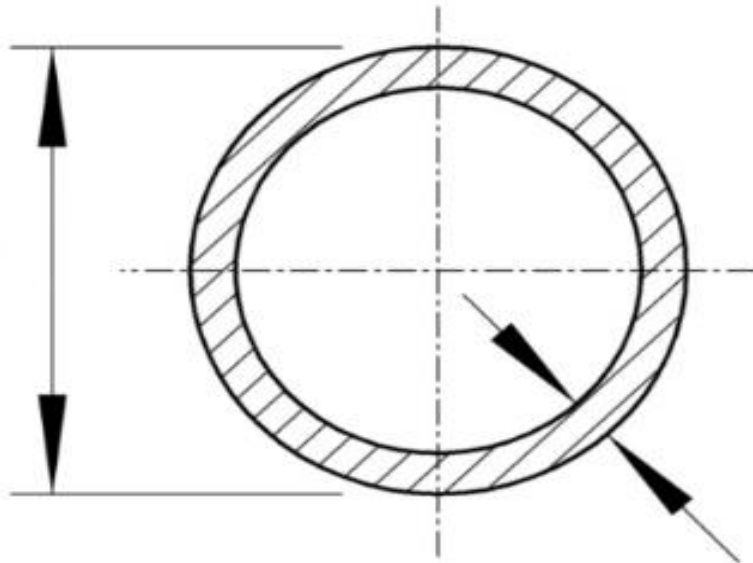


**BERGRIVIER
MUNICIPALITY**



ITEM NUMBER	WTR-0004061
SHORT DESCRIPTION	UPVC CLASS 12 PIPE - 200MM
LONG DETAILED DESCRIPTION	UNPLASTICIZED POLYVINYL CHLORIDE CLASS 12 PIPE - 200MM

TECHNICAL DRAWINGS



TECHNICAL SPECIFICATIONS

SIZE A (MM)	200MM
SIZE B (MM)	N/A
SIZE C (MM)	N/A
SIZE D	N/A
BRAND	N/A
MANUFACTURER WARRANTY	N/A
MAXIMUM PRESSURE	N/A
MINIMUM PRESSURE	N/A
MAXIMUM TEMPERATURE (°C)	N/A
MINIMUM TEMPERATURE (°C)	N/A
THREAD PITCH (MM)	N/A
THREAD REACH (MM)	N/A
OPERATING TEMPERATURE (°C)	N/A

EXTERNAL MATERIAL	UPVC
INTERNAL MATERIAL	UPVC
STORAGE REQUIREMENTS	CLEAN & DRY
MSDS REQUIRED	N/A
BOX QUANTITY	EACH

SPECIAL INSTRUCTIONS

APPROVALS

--

SUPERVISOR: STORES

--

HEAD: ASSETS & SUPPLY CHAIN

--

HEAD: DEPARTMENT

APPROVALS

--

STORES STOCK ITEM SPECIFICATION & TECHNICAL DATA SHEET



**BERGRIVIER
MUNICIPALITY**



ITEM NUMBER

WTR-0004062

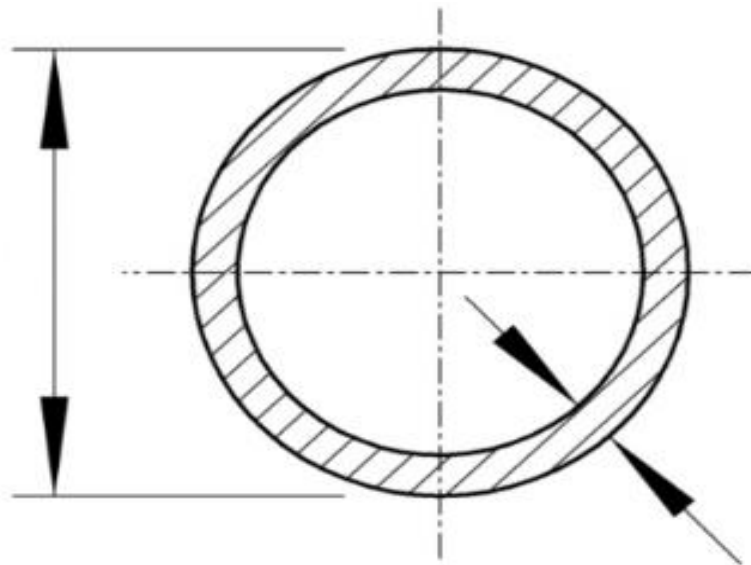
SHORT
DESCRIPTION

UPVC CLASS 12 PIPE - 315MM

LONG DETAILED
DESCRIPTION

UNPLASTICIZED POLYVINYL CHLORIDE 12 PIPE - 315MM

TECHNICAL DRAWINGS



TECHNICAL SPECIFICATIONS

SIZE A (MM)	315MM
SIZE B (MM)	N/A
SIZE C (MM)	N/A
SIZE D	N/A
BRAND	N/A
MANUFACTURER WARRANTY	N/A
MAXIMUM PRESSURE	N/A
MINIMUM PRESSURE	N/A
MAXIMUM TEMPERATURE (°C)	N/A
MINIMUM TEMPERATURE (°C)	N/A
THREAD PITCH (MM)	N/A
THREAD REACH (MM)	N/A
OPERATING TEMPERATURE (°C)	N/A

EXTERNAL MATERIAL	UPVC
INTERNAL MATERIAL	UPVC
STORAGE REQUIREMENTS	CLEAN & DRY
MSDS REQUIRED	N/A
BOX QUANTITY	EACH

SPECIAL INSTRUCTIONS

APPROVALS

SUPERVISOR: STORES

HEAD: ASSETS & SUPPLY CHAIN

HEAD: DEPARTMENT

APPROVALS

STORES STOCK ITEM SPECIFICATION & TECHNICAL DATA SHEET

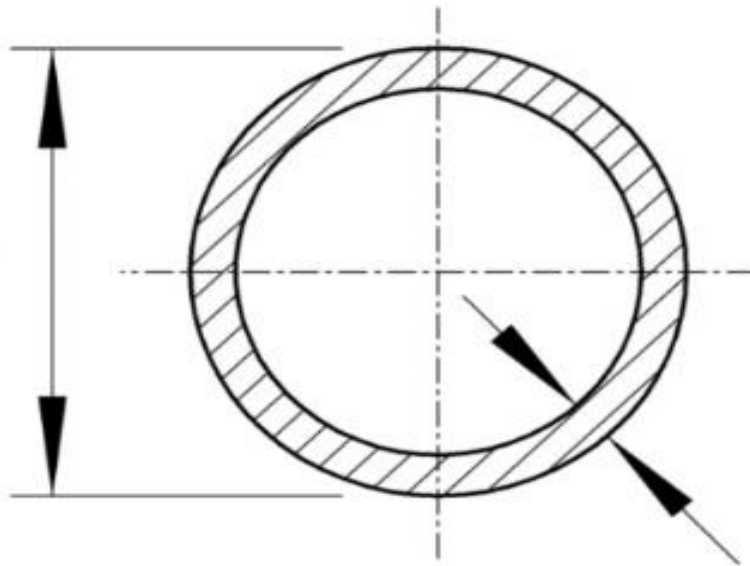


**BERGRIVIER
MUNICIPALITY**



ITEM NUMBER	WTR-0004063
SHORT DESCRIPTION	UPVC CLASS 12 REPAIR PIPE - 110MM 4M PLAIN ENDED
LONG DETAILED DESCRIPTION	UNPLASTICIZED POLYVINYL CHLORIDE CLASS 12 REPAIR PIPE - 110MM 4M PLAIN ENDED

TECHNICAL DRAWINGS



TECHNICAL SPECIFICATIONS

SIZE A (MM)	110MM
SIZE B (MM)	N/A
SIZE C (MM)	N/A
SIZE D	N/A
BRAND	N/A
MANUFACTURER WARRANTY	N/A
MAXIMUM PRESSURE	N/A
MINIMUM PRESSURE	N/A
MAXIMUM TEMPERATURE (°C)	N/A
MINIMUM TEMPERATURE (°C)	N/A
THREAD PITCH (MM)	N/A
THREAD REACH (MM)	N/A
OPERATING TEMPERATURE (°C)	N/A

EXTERNAL MATERIAL	UPVC
INTERNAL MATERIAL	UPVC
STORAGE REQUIREMENTS	CLEAN & DRY
MSDS REQUIRED	N/A
BOX QUANTITY	EACH

SPECIAL INSTRUCTIONS

APPROVALS				APPROVALS
	SUPERVISOR: STORES	HEAD: ASSETS & SUPPLY CHAIN	HEAD: DEPARTMENT	

STORES STOCK ITEM SPECIFICATION & TECHNICAL DATA SHEET



**BERGRIVIER
MUNICIPALITY**



ITEM NUMBER

WTR-0004064

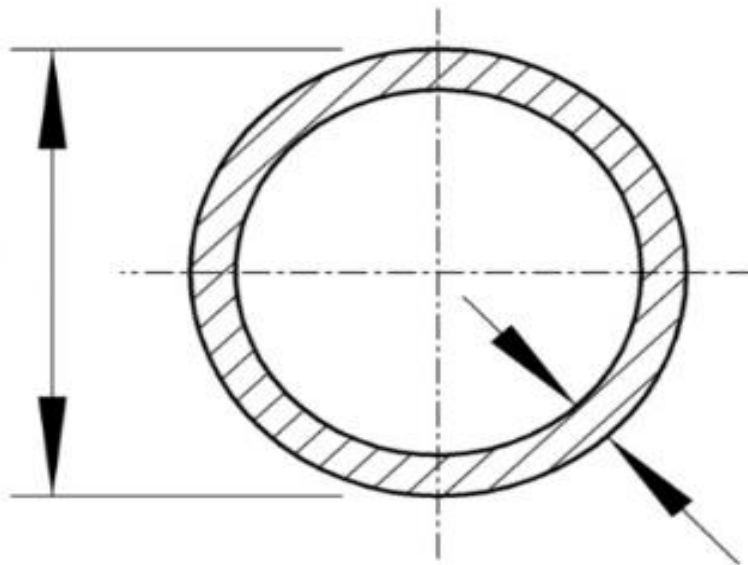
SHORT
DESCRIPTION

UPVC CLASS 12 REPAIR PIPE - 160MM 4M PLAIN ENDED

LONG DETAILED
DESCRIPTION

UNPLASTICIZED POLYVINYL CHLORIDE CLASS 12 REPAIR PIPE - 160MM 4M
PLAIN ENDED

TECHNICAL DRAWINGS



TECHNICAL SPECIFICATIONS

SIZE A (MM)	160MM
SIZE B (MM)	N/A
SIZE C (MM)	N/A
SIZE D	N/A
BRAND	N/A
MANUFACTURER WARRANTY	N/A
MAXIMUM PRESSURE	N/A
MINIMUM PRESSURE	N/A
MAXIMUM TEMPERATURE (°C)	N/A
MINIMUM TEMPERATURE (°C)	N/A
THREAD PITCH (MM)	N/A
THREAD REACH (MM)	N/A
OPERATING TEMPERATURE (°C)	N/A

EXTERNAL MATERIAL	UPVC
INTERNAL MATERIAL	UPVC
STORAGE REQUIREMENTS	CLEAN & DRY
MSDS REQUIRED	N/A
BOX QUANTITY	EACH

SPECIAL INSTRUCTIONS

APPROVALS

APPROVALS

SUPERVISOR: STORES

HEAD: ASSETS & SUPPLY CHAIN

HEAD: DEPARTMENT

STORES STOCK ITEM SPECIFICATION & TECHNICAL DATA SHEET

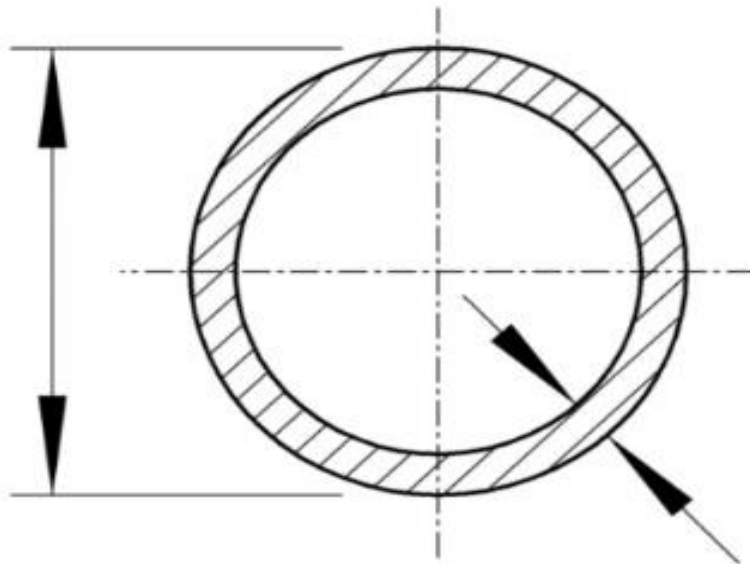


**BERGRIVIER
MUNICIPALITY**



ITEM NUMBER	WTR-0004065
SHORT DESCRIPTION	UPVC CLASS 12 REPAIR PIPE - 200MM 4M PLAIN ENDED
LONG DETAILED DESCRIPTION	UNPLASTICIZED POLYVINYL CHLORIDE CLASS 12 REPAIR PIPE - 200MM 4M PLAIN ENDED

TECHNICAL DRAWINGS



TECHNICAL SPECIFICATIONS

SIZE A (MM)	200MM
SIZE B (MM)	N/A
SIZE C (MM)	N/A
SIZE D	N/A
BRAND	N/A
MANUFACTURER WARRANTY	N/A
MAXIMUM PRESSURE	N/A
MINIMUM PRESSURE	N/A
MAXIMUM TEMPERATURE (°C)	N/A
MINIMUM TEMPERATURE (°C)	N/A
THREAD PITCH (MM)	N/A
THREAD REACH (MM)	N/A
OPERATING TEMPERATURE (°C)	N/A

EXTERNAL MATERIAL	UPVC
INTERNAL MATERIAL	UPVC
STORAGE REQUIREMENTS	CLEAN & DRY
MSDS REQUIRED	N/A
BOX QUANTITY	EACH

SPECIAL INSTRUCTIONS

--

APPROVALS				APPROVALS
	SUPERVISOR: STORES	HEAD: ASSETS & SUPPLY CHAIN	HEAD: DEPARTMENT	

STORES STOCK ITEM SPECIFICATION & TECHNICAL DATA SHEET



**BERGRIVIER
MUNICIPALITY**



ITEM NUMBER

WTR-0004066

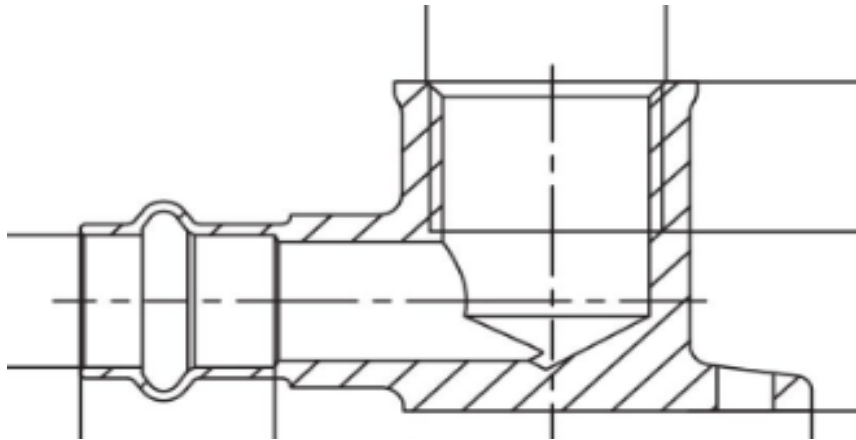
SHORT
DESCRIPTION

UPVC WALLPLATE ELBOW C X FI 15MM

LONG DETAILED
DESCRIPTION

UNPLASTICIZED POLYVINYL CHLORIDE WALLPLATE ELBOW C X FI 15MM

TECHNICAL DRAWINGS



TECHNICAL SPECIFICATIONS

SIZE A (MM)	15MM
SIZE B (MM)	N/A
SIZE C (MM)	N/A
SIZE D	N/A
BRAND	N/A
MANUFACTURER WARRANTY	N/A
MAXIMUM PRESSURE	N/A
MINIMUM PRESSURE	N/A
MAXIMUM TEMPERATURE (°C)	N/A
MINIMUM TEMPERATURE (°C)	N/A
THREAD PITCH (MM)	N/A
THREAD REACH (MM)	N/A
OPERATING TEMPERATURE (°C)	N/A

EXTERNAL MATERIAL	UPVC
INTERNAL MATERIAL	UPVC
STORAGE REQUIREMENTS	CLEAN & DRY
MSDS REQUIRED	N/A
BOX QUANTITY	EACH

SPECIAL INSTRUCTIONS

APPROVALS

SUPERVISOR: STORES

HEAD: ASSETS & SUPPLY CHAIN

HEAD: DEPARTMENT

APPROVALS

STORES STOCK ITEM SPECIFICATION & TECHNICAL DATA SHEET



**BERGRIVIER
MUNICIPALITY**



ITEM NUMBER

WTR-0004067

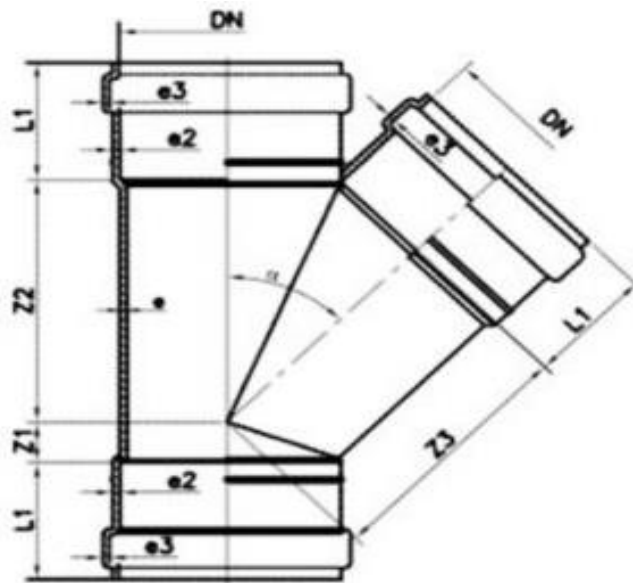
SHORT
DESCRIPTION

UPVC CLASS 6 Y-JUNCTION - 110MM

LONG DETAILED
DESCRIPTION

UNPLASTICIZED POLYVINYL CHLORIDE CLASS 6 Y-JUNCTION - 110MM

TECHNICAL DRAWINGS



TECHNICAL SPECIFICATIONS

SIZE A (MM)	110MM
SIZE B (MM)	N/A
SIZE C (MM)	N/A
SIZE D	N/A
BRAND	N/A
MANUFACTURER WARRANTY	N/A
MAXIMUM PRESSURE	N/A
MINIMUM PRESSURE	N/A
MAXIMUM TEMPERATURE (°C)	N/A
MINIMUM TEMPERATURE (°C)	N/A
THREAD PITCH (MM)	N/A
THREAD REACH (MM)	N/A
OPERATING TEMPERATURE (°C)	N/A

EXTERNAL MATERIAL	UPVC
INTERNAL MATERIAL	UPVC
STORAGE REQUIREMENTS	CLEAN & DRY
MSDS REQUIRED	N/A
BOX QUANTITY	EACH

SPECIAL INSTRUCTIONS

APPROVALS

SUPERVISOR: STORES

HEAD: ASSETS & SUPPLY CHAIN

HEAD: DEPARTMENT

APPROVALS

STORES STOCK ITEM SPECIFICATION & TECHNICAL DATA SHEET

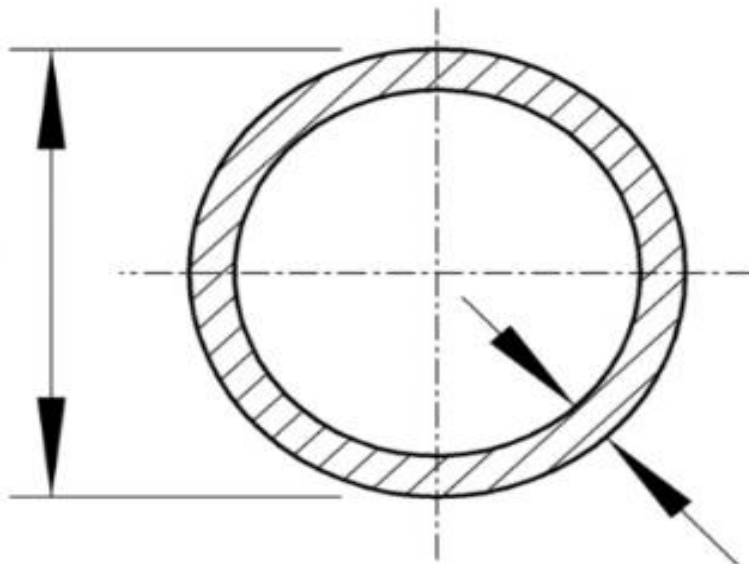


**BERGRIVIER
MUNICIPALITY**



ITEM NUMBER	WTR-0004069
SHORT DESCRIPTION	UPVC CLASS 12 REPAIR PIPE - 250MM 4M PLAIN ENDED
LONG DETAILED DESCRIPTION	UNPLASTICIZED POLYVINYL CHLORIDE CLASS 12 REPAIR PIPE - 250MM 4M PLAIN ENDED

TECHNICAL DRAWINGS



TECHNICAL SPECIFICATIONS

SIZE A (MM)	250MM
SIZE B (MM)	N/A
SIZE C (MM)	N/A
SIZE D	N/A
BRAND	N/A
MANUFACTURER WARRANTY	N/A
MAXIMUM PRESSURE	N/A
MINIMUM PRESSURE	N/A
MAXIMUM TEMPERATURE (°C)	N/A
MINIMUM TEMPERATURE (°C)	N/A
THREAD PITCH (MM)	N/A
THREAD REACH (MM)	N/A
OPERATING TEMPERATURE (°C)	N/A

EXTERNAL MATERIAL	UPVC
INTERNAL MATERIAL	UPVC
STORAGE REQUIREMENTS	CLEAN & DRY
MSDS REQUIRED	N/A
BOX QUANTITY	EACH

SPECIAL INSTRUCTIONS

APPROVALS

APPROVALS

SUPERVISOR: STORES

HEAD: ASSETS & SUPPLY CHAIN

HEAD: DEPARTMENT

STORES STOCK ITEM SPECIFICATION & TECHNICAL DATA SHEET



**BERGRIVIER
MUNICIPALITY**



ITEM NUMBER

WTR-0005001

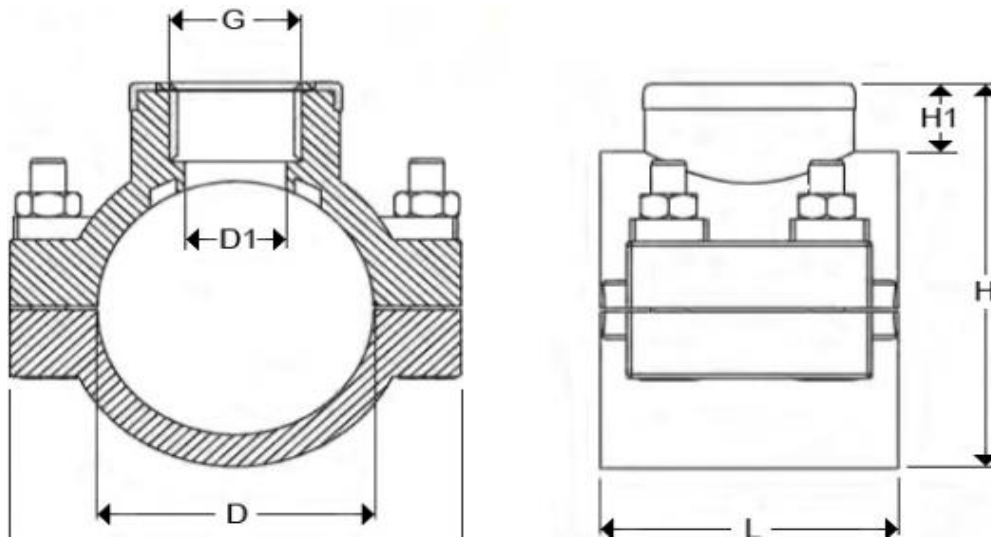
SHORT
DESCRIPTION

CLAMP SADDLE PVC - 50MMX20MM

LONG DETAILED
DESCRIPTION

CLAMP SADDLE PVC - 50MMX20MM

TECHNICAL DRAWINGS



TECHNICAL SPECIFICATIONS

SIZE A (MM)	50MM
SIZE B (MM)	20MM
SIZE C (MM)	N/A
SIZE D	N/A
BRAND	N/A
MANUFACTURER WARRANTY	N/A
MAXIMUM PRESSURE	N/A
MINIMUM PRESSURE	N/A
MAXIMUM TEMPERATURE (°C)	N/A
MINIMUM TEMPERATURE (°C)	N/A
THREAD PITCH (MM)	N/A
THREAD REACH (MM)	N/A
OPERATING TEMPERATURE (°C)	N/A

EXTERNAL MATERIAL	MPVC
INTERNAL MATERIAL	MPVC
STORAGE REQUIREMENTS	CLEAN & DRY
MSDS REQUIRED	N/A
BOX QUANTITY	EACH

SPECIAL INSTRUCTIONS

APPROVALS

SUPERVISOR: STORES

HEAD: ASSETS & SUPPLY CHAIN

HEAD: DEPARTMENT

APPROVALS

STORES STOCK ITEM SPECIFICATION & TECHNICAL DATA SHEET

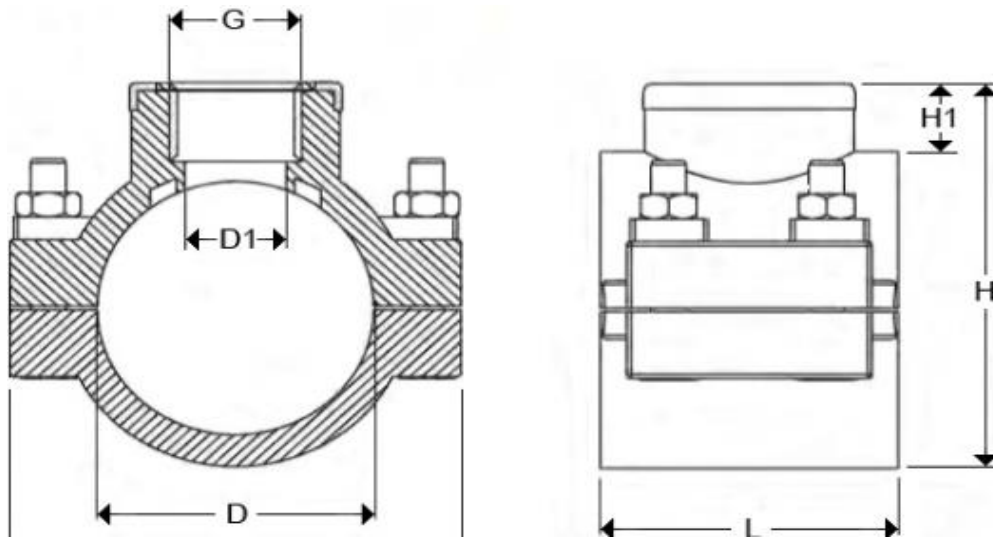


**BERGRIVIER
MUNICIPALITY**



ITEM NUMBER	WTR-0005002
SHORT DESCRIPTION	CLAMP SADDLE PVC - 63MMX20MM
LONG DETAILED DESCRIPTION	CLAMP SADDLE PVC - 63MMX20MM

TECHNICAL DRAWINGS



TECHNICAL SPECIFICATIONS

SIZE A (MM)	63MM
SIZE B (MM)	20MM
SIZE C (MM)	N/A
SIZE D	N/A
BRAND	N/A
MANUFACTURER WARRANTY	N/A
MAXIMUM PRESSURE	N/A
MINIMUM PRESSURE	N/A
MAXIMUM TEMPERATURE (°C)	N/A
MINIMUM TEMPERATURE (°C)	N/A
THREAD PITCH (MM)	N/A
THREAD REACH (MM)	N/A
OPERATING TEMPERATURE (°C)	N/A

EXTERNAL MATERIAL	MPVC
INTERNAL MATERIAL	MPVC
STORAGE REQUIREMENTS	CLEAN & DRY
MSDS REQUIRED	N/A
BOX QUANTITY	EACH

SPECIAL INSTRUCTIONS

APPROVALS

APPROVALS

SUPERVISOR: STORES

HEAD: ASSETS & SUPPLY CHAIN

HEAD: DEPARTMENT

STORES STOCK ITEM SPECIFICATION & TECHNICAL DATA SHEET



**BERGRIVIER
MUNICIPALITY**



ITEM NUMBER

WTR-0005003

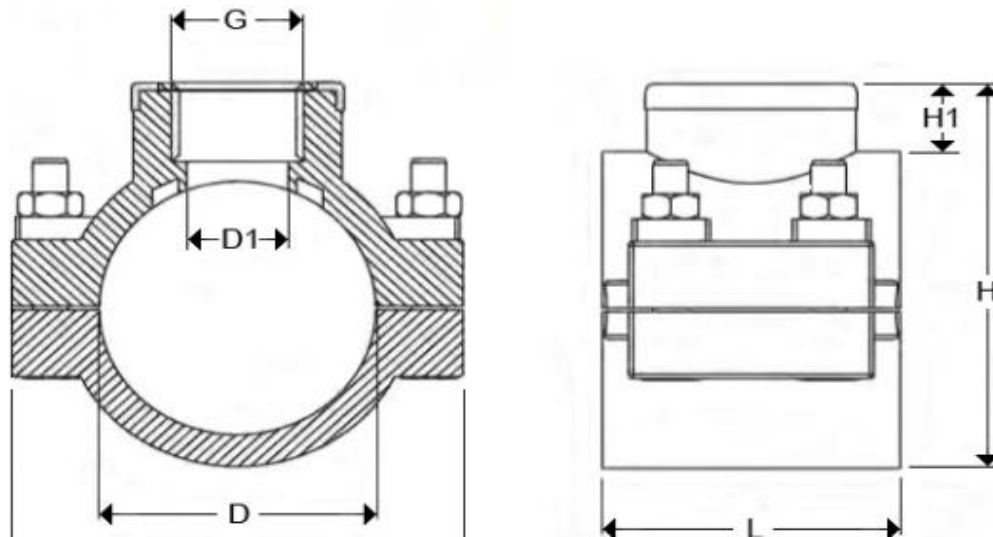
SHORT
DESCRIPTION

CLAMP SADDLE PVC - 75MMX20MM

LONG DETAILED
DESCRIPTION

CLAMP SADDLE PVC - 75MMX20MM

TECHNICAL DRAWINGS



TECHNICAL SPECIFICATIONS

SIZE A (MM)	75MM
SIZE B (MM)	20MM
SIZE C (MM)	N/A
SIZE D	N/A
BRAND	N/A
MANUFACTURER WARRANTY	N/A
MAXIMUM PRESSURE	N/A
MINIMUM PRESSURE	N/A
MAXIMUM TEMPERATURE (°C)	N/A
MINIMUM TEMPERATURE (°C)	N/A
THREAD PITCH (MM)	N/A
THREAD REACH (MM)	N/A
OPERATING TEMPERATURE (°C)	N/A

EXTERNAL MATERIAL	MPVC
INTERNAL MATERIAL	MPVC
STORAGE REQUIREMENTS	CLEAN & DRY
MSDS REQUIRED	N/A
BOX QUANTITY	EACH

SPECIAL INSTRUCTIONS

APPROVALS

SUPERVISOR: STORES

HEAD: ASSETS & SUPPLY CHAIN

HEAD: DEPARTMENT

APPROVALS

STORES STOCK ITEM SPECIFICATION & TECHNICAL DATA SHEET



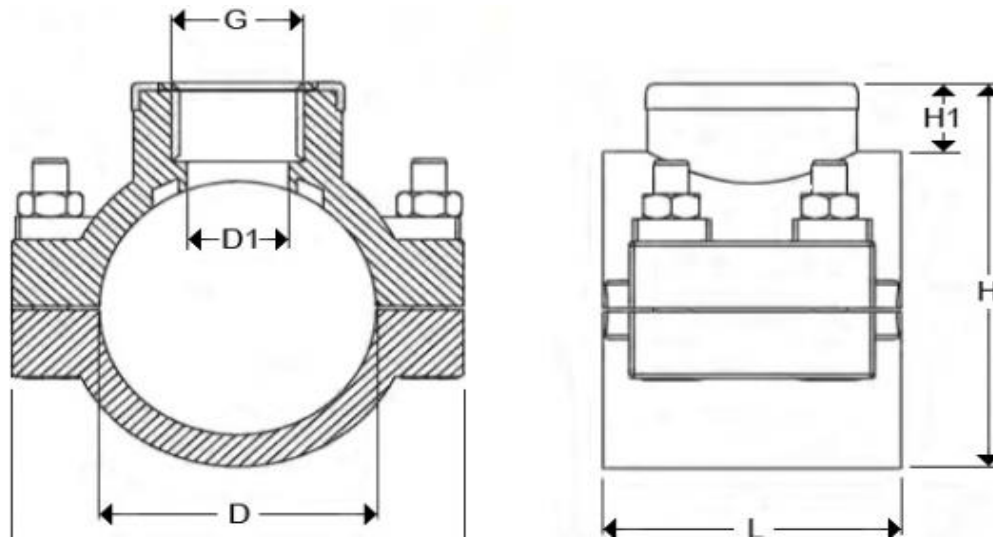
**BERGRIVIER
MUNICIPALITY**



ITEM NUMBER	WTR-0005004
SHORT DESCRIPTION	CLAMP SADDLE PVC - 90MMX20MM
LONG DETAILED DESCRIPTION	CLAMP SADDLE PVC - 90MMX20MM

TECHNICAL DRAWINGS

TECHNICAL SPECIFICATIONS



SIZE A (MM)	90MM
SIZE B (MM)	20MM
SIZE C (MM)	N/A
SIZE D	N/A
BRAND	N/A
MANUFACTURER WARRANTY	N/A
MAXIMUM PRESSURE	N/A
MINIMUM PRESSURE	N/A
MAXIMUM TEMPERATURE (°C)	N/A
MINIMUM TEMPERATURE (°C)	N/A
THREAD PITCH (MM)	N/A
THREAD REACH (MM)	N/A
OPERATING TEMPERATURE (°C)	N/A

EXTERNAL MATERIAL	MPVC
INTERNAL MATERIAL	MPVC
STORAGE REQUIREMENTS	CLEAN & DRY
MSDS REQUIRED	N/A
BOX QUANTITY	EACH

SPECIAL INSTRUCTIONS

APPROVALS

SUPERVISOR: STORES	HEAD: ASSETS & SUPPLY CHAIN	HEAD: DEPARTMENT

APPROVALS

STORES STOCK ITEM SPECIFICATION & TECHNICAL DATA SHEET

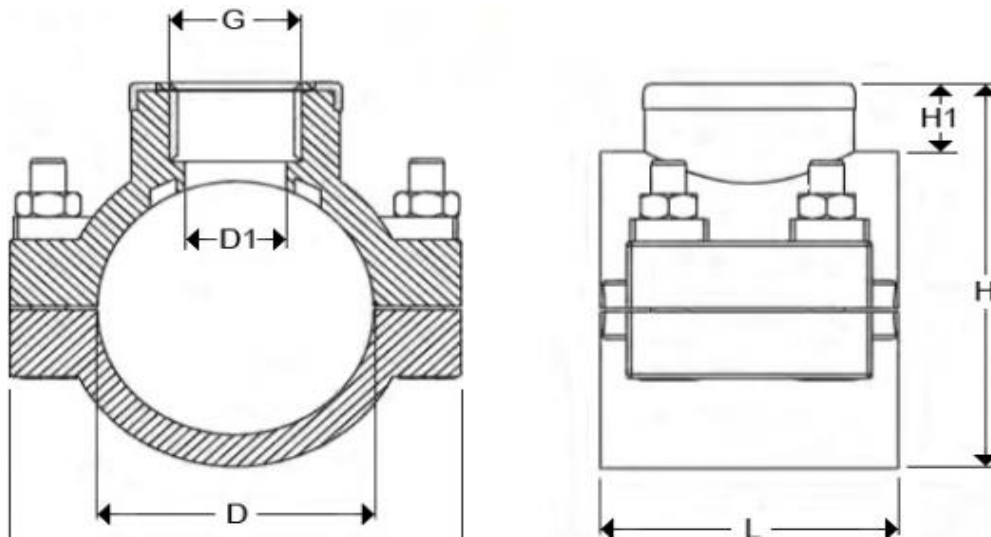


**BERGRIVIER
MUNICIPALITY**



ITEM NUMBER	WTR-0005005
SHORT DESCRIPTION	CLAMP SADDLE PVC - 100MMX20MM
LONG DETAILED DESCRIPTION	CLAMP SADDLE PVC - 100MMX20MM

TECHNICAL DRAWINGS



TECHNICAL SPECIFICATIONS

SIZE A (MM)	100MM
SIZE B (MM)	20MM
SIZE C (MM)	N/A
SIZE D	N/A
BRAND	N/A
MANUFACTURER WARRANTY	N/A
MAXIMUM PRESSURE	N/A
MINIMUM PRESSURE	N/A
MAXIMUM TEMPERATURE (°C)	N/A
MINIMUM TEMPERATURE (°C)	N/A
THREAD PITCH (MM)	N/A
THREAD REACH (MM)	N/A
OPERATING TEMPERATURE (°C)	N/A

EXTERNAL MATERIAL	MPVC
INTERNAL MATERIAL	MPVC
STORAGE REQUIREMENTS	CLEAN & DRY
MSDS REQUIRED	N/A
BOX QUANTITY	EACH

SPECIAL INSTRUCTIONS

APPROVALS

SUPERVISOR: STORES	HEAD: ASSETS & SUPPLY CHAIN	HEAD: DEPARTMENT	

APPROVALS

STORES STOCK ITEM SPECIFICATION & TECHNICAL DATA SHEET

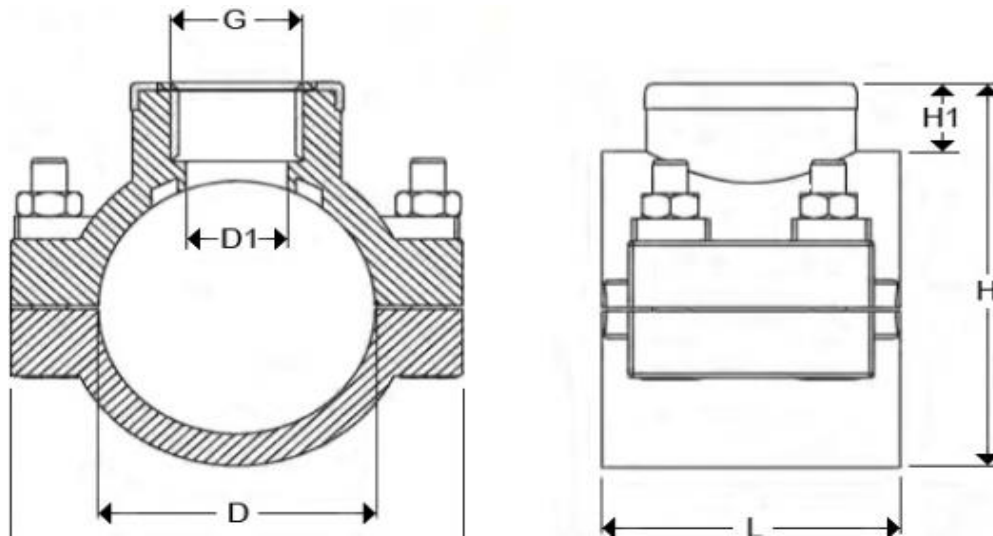


**BERGRIVIER
MUNICIPALITY**



ITEM NUMBER	WTR-0005006
SHORT DESCRIPTION	CLAMP SADDLE PVC - 110MMX20MM
LONG DETAILED DESCRIPTION	CLAMP SADDLE PVC - 110MMX20MM

TECHNICAL DRAWINGS



TECHNICAL SPECIFICATIONS

SIZE A (MM)	110MM
SIZE B (MM)	20MM
SIZE C (MM)	N/A
SIZE D	N/A
BRAND	N/A
MANUFACTURER WARRANTY	N/A
MAXIMUM PRESSURE	N/A
MINIMUM PRESSURE	N/A
MAXIMUM TEMPERATURE (°C)	N/A
MINIMUM TEMPERATURE (°C)	N/A
THREAD PITCH (MM)	N/A
THREAD REACH (MM)	N/A
OPERATING TEMPERATURE (°C)	N/A

EXTERNAL MATERIAL	MPVC
INTERNAL MATERIAL	MPVC
STORAGE REQUIREMENTS	CLEAN & DRY
MSDS REQUIRED	N/A
BOX QUANTITY	EACH

SPECIAL INSTRUCTIONS

APPROVALS

--	--	--

APPROVALS

SUPERVISOR: STORES

HEAD: ASSETS & SUPPLY CHAIN

HEAD: DEPARTMENT

STORES STOCK ITEM SPECIFICATION & TECHNICAL DATA SHEET



**BERGRIVIER
MUNICIPALITY**



ITEM NUMBER

WTR-0005007

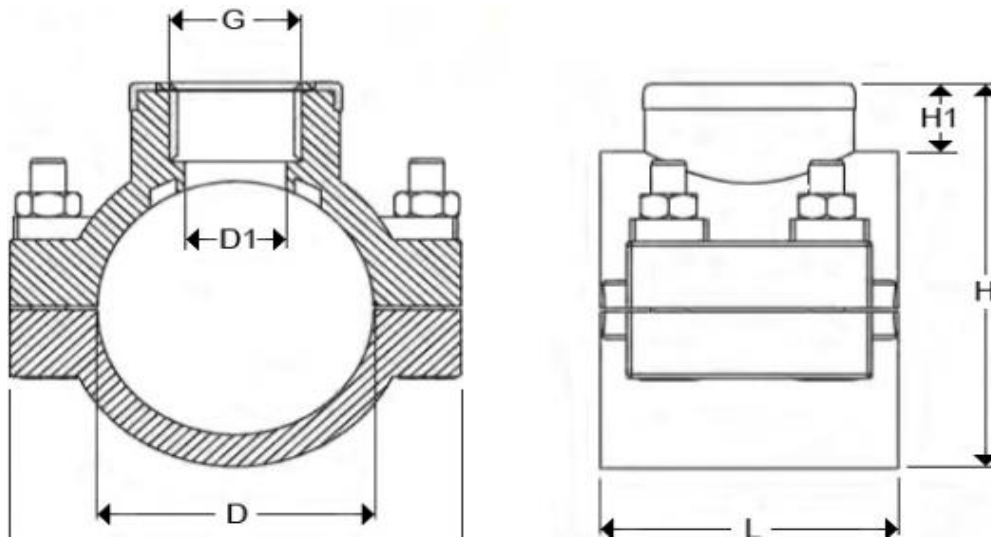
SHORT
DESCRIPTION

CLAMP SADDLE PVC - 150MMX20MM

LONG DETAILED
DESCRIPTION

CLAMP SADDLE PVC - 150MMX20MM

TECHNICAL DRAWINGS



TECHNICAL SPECIFICATIONS

SIZE A (MM)	150MM
SIZE B (MM)	20MM
SIZE C (MM)	N/A
SIZE D	N/A
BRAND	N/A
MANUFACTURER WARRANTY	N/A
MAXIMUM PRESSURE	N/A
MINIMUM PRESSURE	N/A
MAXIMUM TEMPERATURE (°C)	N/A
MINIMUM TEMPERATURE (°C)	N/A
THREAD PITCH (MM)	N/A
THREAD REACH (MM)	N/A
OPERATING TEMPERATURE (°C)	N/A

EXTERNAL MATERIAL	MPVC
INTERNAL MATERIAL	MPVC
STORAGE REQUIREMENTS	CLEAN & DRY
MSDS REQUIRED	N/A
BOX QUANTITY	EACH

SPECIAL INSTRUCTIONS

APPROVALS

APPROVALS

SUPERVISOR: STORES

HEAD: ASSETS & SUPPLY CHAIN

HEAD: DEPARTMENT

STORES STOCK ITEM SPECIFICATION & TECHNICAL DATA SHEET



**BERGRIVIER
MUNICIPALITY**



ITEM NUMBER

WTR-0005008

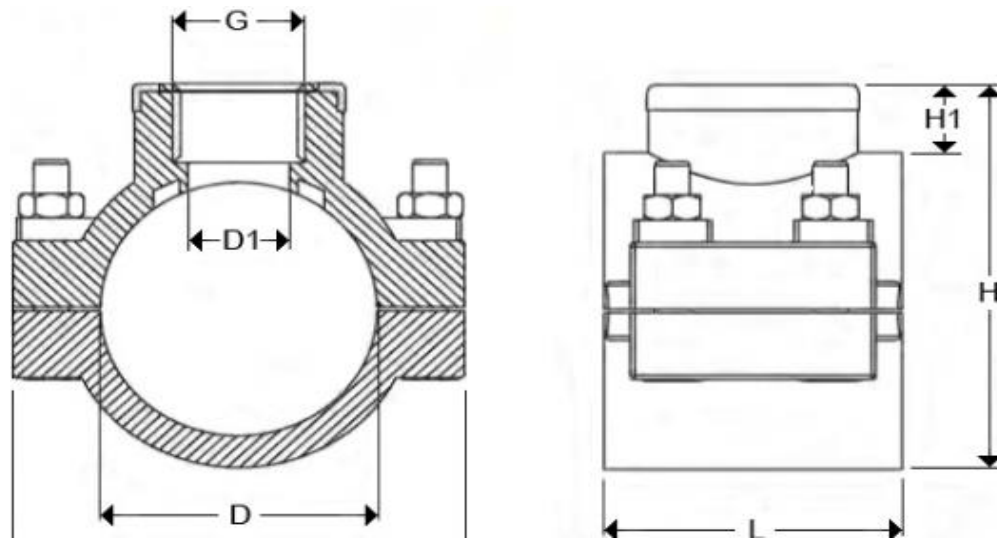
SHORT
DESCRIPTION

CLAMP SADDLE PVC - 160MMX20MM

LONG DETAILED
DESCRIPTION

CLAMP SADDLE PVC - 160MMX20MM

TECHNICAL DRAWINGS



TECHNICAL SPECIFICATIONS

SIZE A (MM)	160MM
SIZE B (MM)	20MM
SIZE C (MM)	N/A
SIZE D	N/A
BRAND	N/A
MANUFACTURER WARRANTY	N/A
MAXIMUM PRESSURE	N/A
MINIMUM PRESSURE	N/A
MAXIMUM TEMPERATURE (°C)	N/A
MINIMUM TEMPERATURE (°C)	N/A
THREAD PITCH (MM)	N/A
THREAD REACH (MM)	N/A
OPERATING TEMPERATURE (°C)	N/A

EXTERNAL MATERIAL	MPVC
INTERNAL MATERIAL	MPVC
STORAGE REQUIREMENTS	CLEAN & DRY
MSDS REQUIRED	N/A
BOX QUANTITY	EACH

SPECIAL INSTRUCTIONS

APPROVALS

SUPERVISOR: STORES

HEAD: ASSETS & SUPPLY CHAIN

HEAD: DEPARTMENT

APPROVALS

STORES STOCK ITEM SPECIFICATION & TECHNICAL DATA SHEET



**BERGRIVIER
MUNICIPALITY**



ITEM NUMBER

WTR-0005009

SHORT
DESCRIPTION

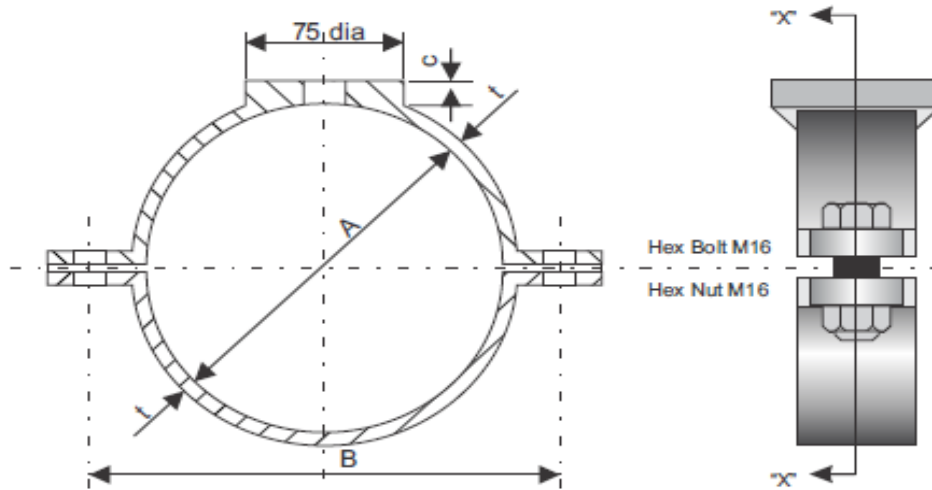
CLAMP SADDLE CAST IRON - 50 (FOR F.C. PIPES)

LONG DETAILED
DESCRIPTION

CLAMP SADDLE CAST IRON - 50 (FOR F.C. PIPES)

TECHNICAL DRAWINGS

TECHNICAL SPECIFICATIONS



SIZE A (MM)	76
SIZE B (MM)	116
SIZE C (MM)	N/A
SIZE D	N/A
BRAND	N/A
MANUFACTURER WARRANTY	N/A
MAXIMUM PRESSURE	N/A
MINIMUM PRESSURE	N/A
MAXIMUM TEMPERATURE (°C)	N/A
MINIMUM TEMPERATURE (°C)	N/A
THREAD PITCH (MM)	N/A
THREAD REACH (MM)	N/A
OPERATING TEMPERATURE (°C)	N/A

EXTERNAL MATERIAL	CAST IRON - POWDERCOATED
INTERNAL MATERIAL	CAST IRON - POWDERCOATED
STORAGE REQUIREMENTS	CLEAN & DRY
MSDS REQUIRED	N/A
BOX QUANTITY	EACH

SPECIAL INSTRUCTIONS

APPROVALS

SUPERVISOR: STORES

HEAD: ASSETS & SUPPLY CHAIN

HEAD: DEPARTMENT

APPROVALS

STORES STOCK ITEM SPECIFICATION & TECHNICAL DATA SHEET



**BERGRIVIER
MUNICIPALITY**



ITEM NUMBER

WTR-0005010

SHORT
DESCRIPTION

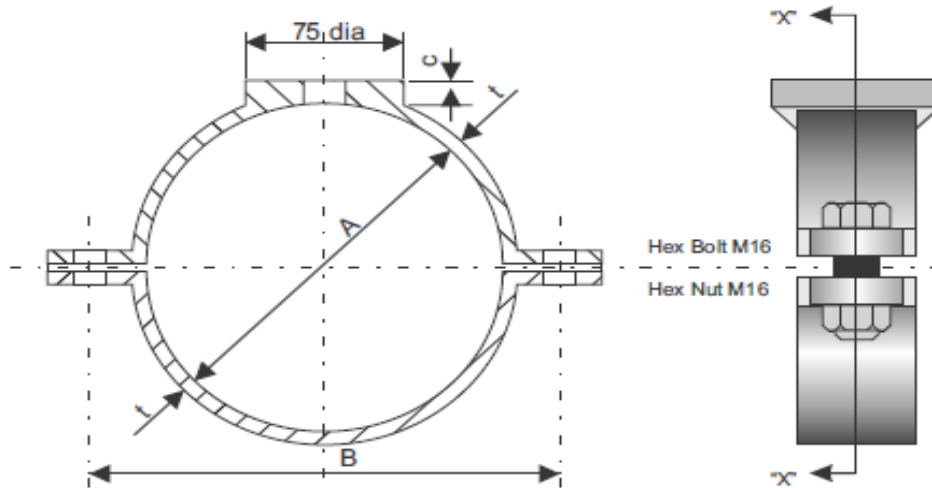
CLAMP SADDLE CAST IRON - 75 (FOR F.C. PIPES)

LONG DETAILED
DESCRIPTION

CLAMP SADDLE CAST IRON - 75 (FOR F.C. PIPES)

TECHNICAL DRAWINGS

TECHNICAL SPECIFICATIONS



SIZE A (MM)	102
SIZE B (MM)	142
SIZE C (MM)	N/A
SIZE D	N/A
BRAND	KLINGER/SANSPAR
MANUFACTURER WARRANTY	N/A
MAXIMUM PRESSURE	N/A
MINIMUM PRESSURE	N/A
MAXIMUM TEMPERATURE (°C)	N/A
MINIMUM TEMPERATURE (°C)	N/A
THREAD PITCH (MM)	N/A
THREAD REACH (MM)	N/A
OPERATING TEMPERATURE (°C)	N/A

EXTERNAL MATERIAL	CAST IRON - POWDERCOATED
INTERNAL MATERIAL	CAST IRON - POWDERCOATED
STORAGE REQUIREMENTS	CLEAN & DRY
MSDS REQUIRED	N/A
BOX QUANTITY	EACH

SPECIAL INSTRUCTIONS

APPROVALS

APPROVALS

SUPERVISOR: STORES

HEAD: ASSETS & SUPPLY CHAIN

HEAD: DEPARTMENT

STORES STOCK ITEM SPECIFICATION & TECHNICAL DATA SHEET



**BERGRIVIER
MUNICIPALITY**



ITEM NUMBER

WTR-0005011

SHORT
DESCRIPTION

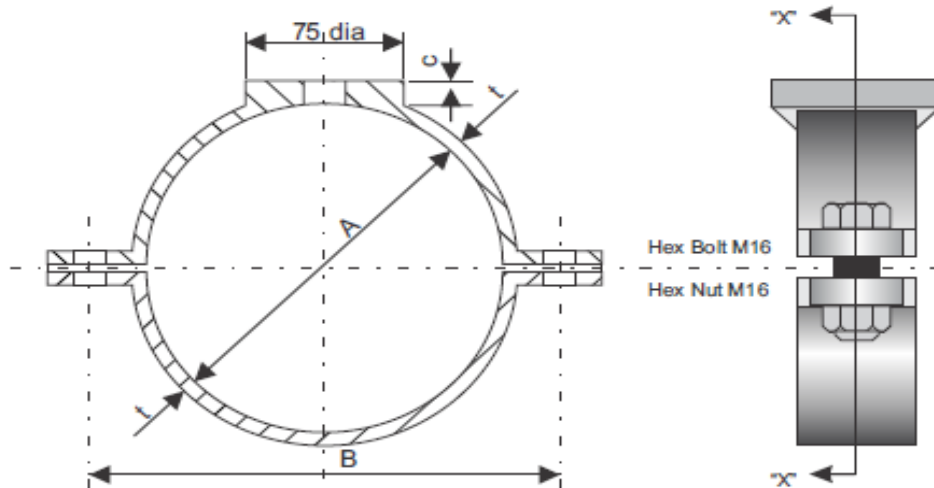
CLAMP SADDLE CAST IRON - 100 (FOR F.C. PIPES)

LONG DETAILED
DESCRIPTION

CLAMP SADDLE CAST IRON - 100 (FOR F.C. PIPES)

TECHNICAL DRAWINGS

TECHNICAL SPECIFICATIONS



SIZE A (MM)	128
SIZE B (MM)	168
SIZE C (MM)	N/A
SIZE D	N/A
BRAND	KLINGER/SANSPAR
MANUFACTURER WARRANTY	N/A
MAXIMUM PRESSURE	N/A
MINIMUM PRESSURE	N/A
MAXIMUM TEMPERATURE (°C)	N/A
MINIMUM TEMPERATURE (°C)	N/A
THREAD PITCH (MM)	N/A
THREAD REACH (MM)	N/A
OPERATING TEMPERATURE (°C)	N/A

EXTERNAL MATERIAL	CAST IRON - POWDERCOATED
INTERNAL MATERIAL	CAST IRON - POWDERCOATED
STORAGE REQUIREMENTS	CLEAN & DRY
MSDS REQUIRED	N/A
BOX QUANTITY	EACH

SPECIAL INSTRUCTIONS

APPROVALS

APPROVALS

SUPERVISOR: STORES

HEAD: ASSETS & SUPPLY CHAIN

HEAD: DEPARTMENT

STORES STOCK ITEM SPECIFICATION & TECHNICAL DATA SHEET



**BERGRIVIER
MUNICIPALITY**



ITEM NUMBER

WTR-0005012

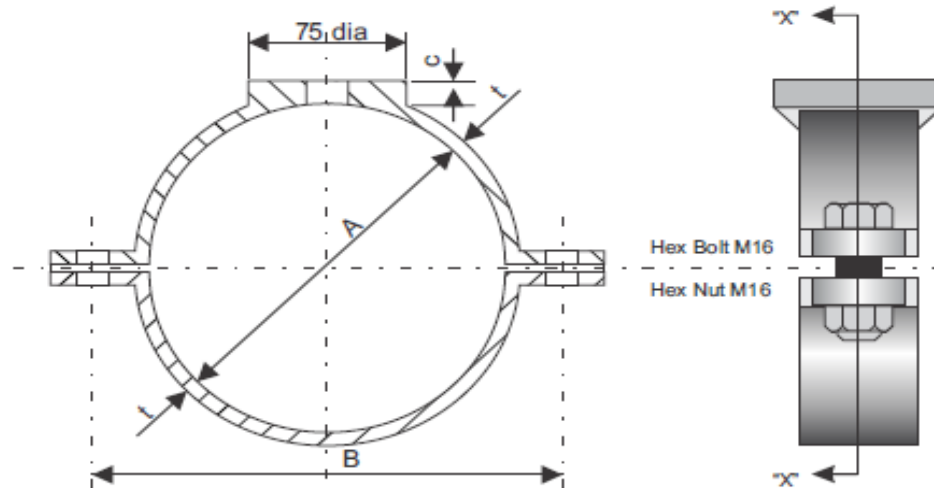
SHORT
DESCRIPTION

CLAMP SADDLE CAST IRON - 125 (FOR F.C. PIPES)

LONG DETAILED
DESCRIPTION

CLAMP SADDLE CAST IRON - 125 (FOR F.C. PIPES)

TECHNICAL DRAWINGS



TECHNICAL SPECIFICATIONS

SIZE A (MM)	157
SIZE B (MM)	197
SIZE C (MM)	N/A
SIZE D	N/A
BRAND	KLINGER/SANSPAR
MANUFACTURER WARRANTY	N/A
MAXIMUM PRESSURE	N/A
MINIMUM PRESSURE	N/A
MAXIMUM TEMPERATURE (°C)	N/A
MINIMUM TEMPERATURE (°C)	N/A
THREAD PITCH (MM)	N/A
THREAD REACH (MM)	N/A
OPERATING TEMPERATURE (°C)	N/A

EXTERNAL MATERIAL	CAST IRON - POWDERCOATED
INTERNAL MATERIAL	CAST IRON - POWDERCOATED
STORAGE REQUIREMENTS	CLEAN & DRY
MSDS REQUIRED	N/A
BOX QUANTITY	EACH

SPECIAL INSTRUCTIONS

APPROVALS

APPROVALS

SUPERVISOR: STORES

HEAD: ASSETS & SUPPLY CHAIN

HEAD: DEPARTMENT

STORES STOCK ITEM SPECIFICATION & TECHNICAL DATA SHEET



**BERGRIVIER
MUNICIPALITY**



ITEM NUMBER

WTR-0005014

SHORT
DESCRIPTION

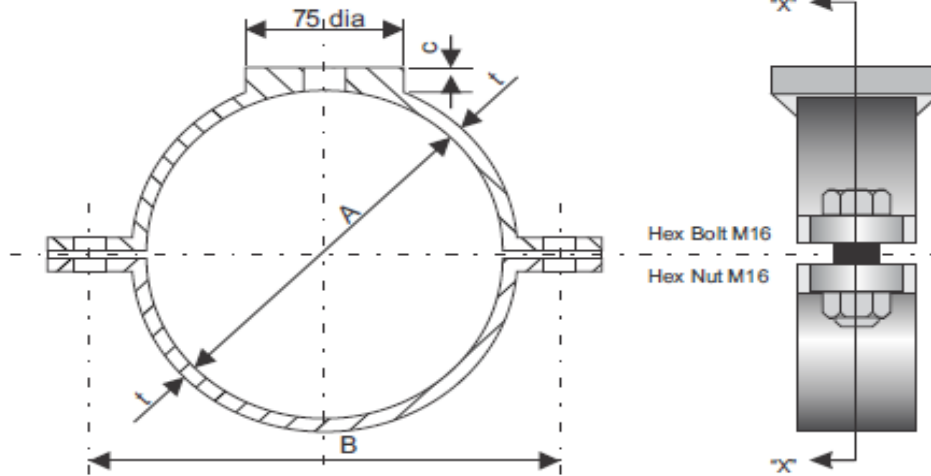
CLAMP SADDLE CAST IRON - 200 (FOR F.C. PIPES)

LONG DETAILED
DESCRIPTION

CLAMP SADDLE CAST IRON - 200 (FOR F.C. PIPES)

TECHNICAL DRAWINGS

TECHNICAL SPECIFICATIONS



SIZE A (MM)	238
SIZE B (MM)	278
SIZE C (MM)	N/A
SIZE D	N/A
BRAND	KLINGER/SANSPAR
MANUFACTURER WARRANTY	N/A
MAXIMUM PRESSURE	N/A
MINIMUM PRESSURE	N/A
MAXIMUM TEMPERATURE (°C)	N/A
MINIMUM TEMPERATURE (°C)	N/A
THREAD PITCH (MM)	N/A
THREAD REACH (MM)	N/A
OPERATING TEMPERATURE (°C)	N/A

EXTERNAL MATERIAL	CAST IRON - POWDERCOATED
INTERNAL MATERIAL	CAST IRON - POWDERCOATED
STORAGE REQUIREMENTS	CLEAN & DRY
MSDS REQUIRED	N/A
BOX QUANTITY	EACH

SPECIAL INSTRUCTIONS

APPROVALS

SUPERVISOR: STORES

HEAD: ASSETS & SUPPLY CHAIN

HEAD: DEPARTMENT

APPROVALS

STORES STOCK ITEM SPECIFICATION & TECHNICAL DATA SHEET



**BERGRIVIER
MUNICIPALITY**



ITEM NUMBER

WTR-0005015

SHORT
DESCRIPTION

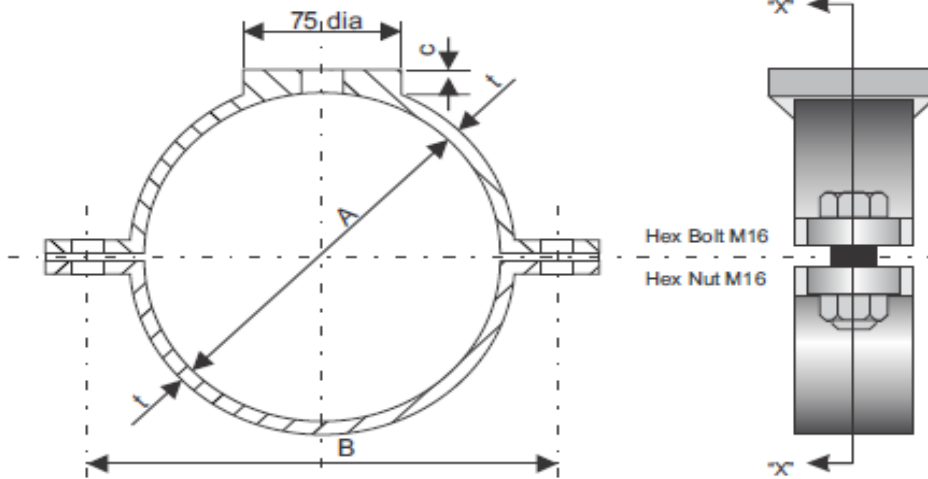
CLAMP SADDLE CAST IRON - 150 (FOR F.C. PIPES)

LONG DETAILED
DESCRIPTION

CLAMP SADDLE CAST IRON - 150 (FOR F.C. PIPES)

TECHNICAL DRAWINGS

TECHNICAL SPECIFICATIONS



SIZE A (MM)	183
SIZE B (MM)	223
SIZE C (MM)	N/A
SIZE D	N/A
BRAND	KLINGER/SANSPAR
MANUFACTURER WARRANTY	N/A
MAXIMUM PRESSURE	N/A
MINIMUM PRESSURE	N/A
MAXIMUM TEMPERATURE (°C)	N/A
MINIMUM TEMPERATURE (°C)	N/A
THREAD PITCH (MM)	N/A
THREAD REACH (MM)	N/A
OPERATING TEMPERATURE (°C)	N/A

EXTERNAL MATERIAL	CAST IRON - POWDERCOATED
INTERNAL MATERIAL	CAST IRON - POWDERCOATED
STORAGE REQUIREMENTS	CLEAN & DRY
MSDS REQUIRED	N/A
BOX QUANTITY	EACH

SPECIAL INSTRUCTIONS

APPROVALS

SUPERVISOR: STORES

HEAD: ASSETS & SUPPLY CHAIN

HEAD: DEPARTMENT

APPROVALS

STORES STOCK ITEM SPECIFICATION & TECHNICAL DATA SHEET



**BERGRIVIER
MUNICIPALITY**



ITEM NUMBER

WTR-0006001

SHORT
DESCRIPTION

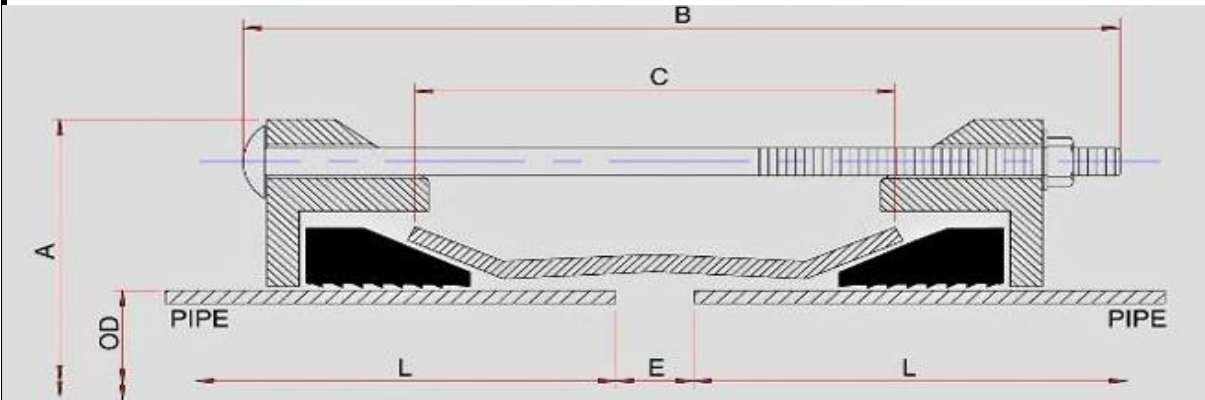
RANGER COUPLING 59 - 78MM

LONG DETAILED
DESCRIPTION

RANGER COUPLING 59 - 78MM

TECHNICAL DRAWINGS

TECHNICAL SPECIFICATIONS



OD RANGE FROM:	59MM
OD RANGE TO:	78MM
SIZE C (MM)	N/A
SIZE D	N/A
BRAND	KLINGER/UNI-FLOW/KLAMFLEX OR SIMILAR
MANUFACTURER WARRANTY	N/A
MAXIMUM PRESSURE	N/A
MINIMUM PRESSURE	N/A
MAXIMUM TEMPERATURE (°C)	N/A
MINIMUM TEMPERATURE (°C)	N/A
THREAD PITCH (MM)	N/A
THREAD REACH (MM)	N/A
OPERATING TEMPERATURE (°C)	N/A

EXTERNAL MATERIAL	CAST IRON - POWDERCOATED
INTERNAL MATERIAL	CAST IRON - POWDERCOATED
STORAGE REQUIREMENTS	CLEAN & DRY
MSDS REQUIRED	N/A
BOX QUANTITY	EACH

SPECIAL INSTRUCTIONS

APPROVALS

APPROVALS

SUPERVISOR: STORES

HEAD: ASSETS & SUPPLY CHAIN

HEAD: DEPARTMENT

STORES STOCK ITEM SPECIFICATION & TECHNICAL DATA SHEET



**BERGRIVIER
MUNICIPALITY**



ITEM NUMBER

WTR-0006002

SHORT
DESCRIPTION

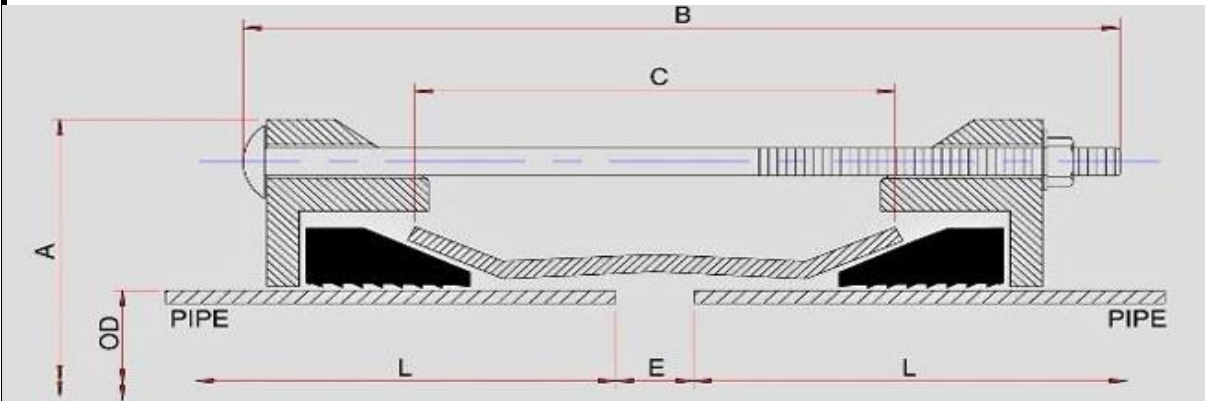
RANGER COUPLING 59 - 72MM

LONG DETAILED
DESCRIPTION

RANGER COUPLING 59 - 72MM

TECHNICAL DRAWINGS

TECHNICAL SPECIFICATIONS



OD RANGE FROM:	59MM
OD RANGE TO:	72MM
SIZE C (MM)	N/A
SIZE D	N/A
BRAND	KLINGER/UNI-FLOW/KLAMFLEX OR SIMILAR
MANUFACTURER WARRANTY	N/A
MAXIMUM PRESSURE	N/A
MINIMUM PRESSURE	N/A
MAXIMUM TEMPERATURE (°C)	N/A
MINIMUM TEMPERATURE (°C)	N/A
THREAD PITCH (MM)	N/A
THREAD REACH (MM)	N/A
OPERATING TEMPERATURE (°C)	N/A

EXTERNAL MATERIAL	CAST IRON - POWDERCOATED
INTERNAL MATERIAL	CAST IRON - POWDERCOATED
STORAGE REQUIREMENTS	CLEAN & DRY
MSDS REQUIRED	N/A
BOX QUANTITY	EACH

SPECIAL INSTRUCTIONS

APPROVALS

APPROVALS

SUPERVISOR: STORES

HEAD: ASSETS & SUPPLY CHAIN

HEAD: DEPARTMENT

STORES STOCK ITEM SPECIFICATION & TECHNICAL DATA SHEET

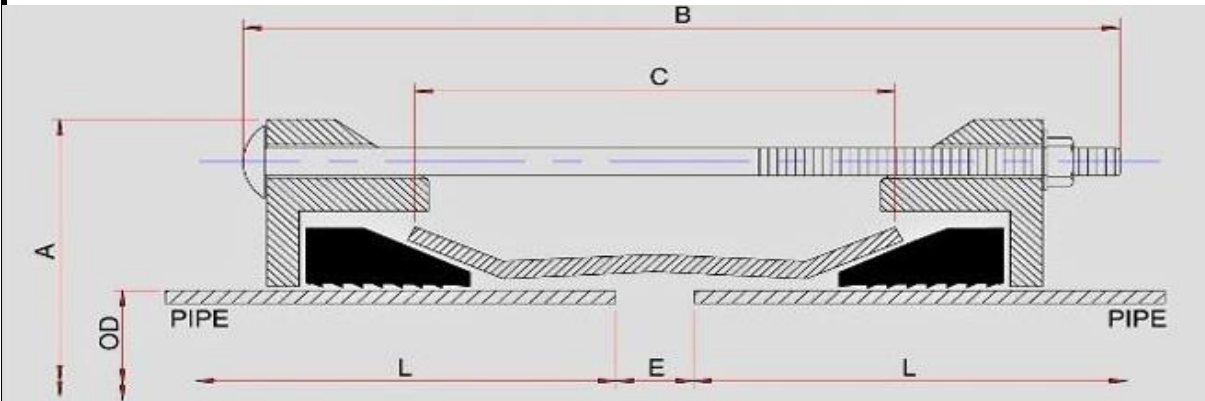


**BERGRIVIER
MUNICIPALITY**



ITEM NUMBER	WTR-0006003
SHORT DESCRIPTION	RANGER COUPLING 72 - 85MM
LONG DETAILED DESCRIPTION	RANGER COUPLING 72 - 85MM

TECHNICAL DRAWINGS



TECHNICAL SPECIFICATIONS

OD RANGE FROM:	72MM
OD RANGE TO:	85MM
SIZE C (MM)	N/A
SIZE D	N/A
BRAND	KLINGER/UNI-FLOW/KLAMFLEX OR SIMILAR
MANUFACTURER WARRANTY	N/A
MAXIMUM PRESSURE	N/A
MINIMUM PRESSURE	N/A
MAXIMUM TEMPERATURE (°C)	N/A
MINIMUM TEMPERATURE (°C)	N/A
THREAD PITCH (MM)	N/A
THREAD REACH (MM)	N/A
OPERATING TEMPERATURE (°C)	N/A

EXTERNAL MATERIAL	CAST IRON - POWDERCOATED
INTERNAL MATERIAL	CAST IRON - POWDERCOATED
STORAGE REQUIREMENTS	CLEAN & DRY
MSDS REQUIRED	N/A
BOX QUANTITY	EACH

SPECIAL INSTRUCTIONS	

APPROVALS				APPROVALS
	SUPERVISOR: STORES	HEAD: ASSETS & SUPPLY CHAIN	HEAD: DEPARTMENT	

STORES STOCK ITEM SPECIFICATION & TECHNICAL DATA SHEET



**BERGRIVIER
MUNICIPALITY**



ITEM NUMBER

WTR-0006004

SHORT
DESCRIPTION

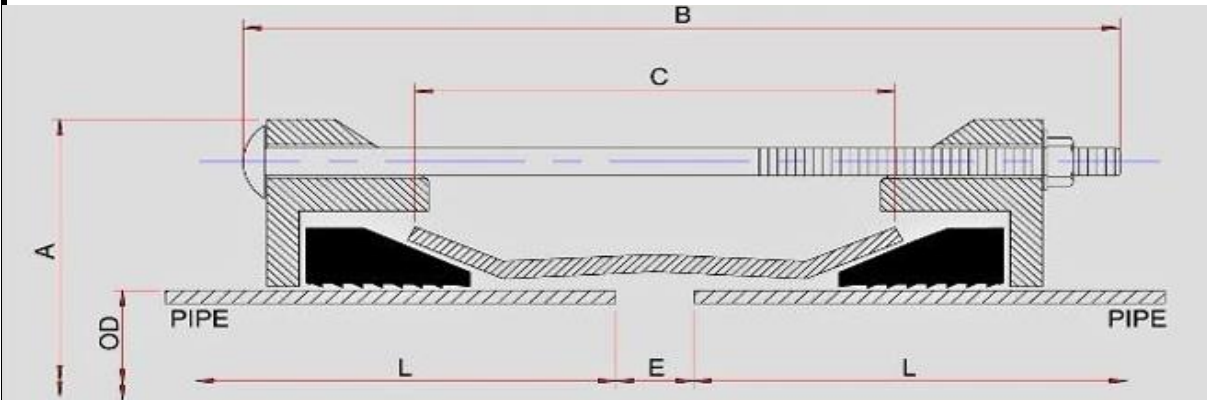
RANGER COUPLING 83 - 102MM

LONG DETAILED
DESCRIPTION

RANGER COUPLING 83 - 102MM

TECHNICAL DRAWINGS

TECHNICAL SPECIFICATIONS



OD RANGE FROM:	83MM
OD RANGE TO:	102MM
SIZE C (MM)	N/A
SIZE D	N/A
BRAND	KLINGER/UNI-FLOW/KLAMFLEX OR SIMILAR
MANUFACTURER WARRANTY	N/A
MAXIMUM PRESSURE	N/A
MINIMUM PRESSURE	N/A
MAXIMUM TEMPERATURE (°C)	N/A
MINIMUM TEMPERATURE (°C)	N/A
THREAD PITCH (MM)	N/A
THREAD REACH (MM)	N/A
OPERATING TEMPERATURE (°C)	N/A

EXTERNAL MATERIAL	CAST IRON - POWDERCOATED
INTERNAL MATERIAL	CAST IRON - POWDERCOATED
STORAGE REQUIREMENTS	CLEAN & DRY
MSDS REQUIRED	N/A
BOX QUANTITY	EACH

SPECIAL INSTRUCTIONS

APPROVALS

SUPERVISOR: STORES

HEAD: ASSETS & SUPPLY CHAIN

HEAD: DEPARTMENT

APPROVALS

STORES STOCK ITEM SPECIFICATION & TECHNICAL DATA SHEET



**BERGRIVIER
MUNICIPALITY**



ITEM NUMBER

WTR-0006005

SHORT
DESCRIPTION

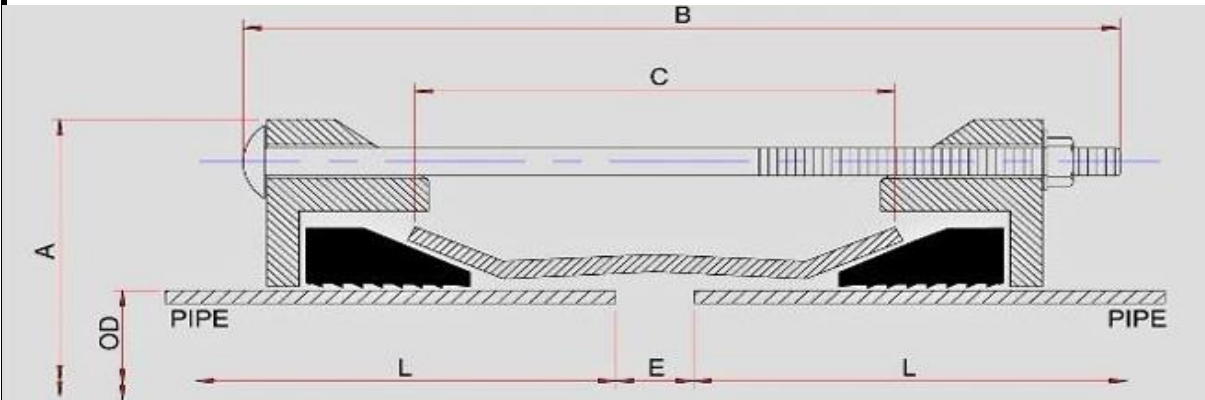
RANGER COUPLING 88 - 103MM

LONG DETAILED
DESCRIPTION

RANGER COUPLING 88 - 103MM

TECHNICAL DRAWINGS

TECHNICAL SPECIFICATIONS



OD RANGE FROM:	88MM
OD RANGE TO:	103MM
SIZE C (MM)	N/A
SIZE D	N/A
BRAND	KLINGER/UNI-FLOW/KLAMFLEX OR SIMILAR
MANUFACTURER WARRANTY	N/A
MAXIMUM PRESSURE	N/A
MINIMUM PRESSURE	N/A
MAXIMUM TEMPERATURE (°C)	N/A
MINIMUM TEMPERATURE (°C)	N/A
THREAD PITCH (MM)	N/A
THREAD REACH (MM)	N/A
OPERATING TEMPERATURE (°C)	N/A

EXTERNAL MATERIAL	CAST IRON - POWDERCOATED
INTERNAL MATERIAL	CAST IRON - POWDERCOATED
STORAGE REQUIREMENTS	CLEAN & DRY
MSDS REQUIRED	N/A
BOX QUANTITY	EACH

SPECIAL INSTRUCTIONS

APPROVALS

SUPERVISOR: STORES

HEAD: ASSETS & SUPPLY CHAIN

HEAD: DEPARTMENT

APPROVALS

STORES STOCK ITEM SPECIFICATION & TECHNICAL DATA SHEET



**BERGRIVIER
MUNICIPALITY**



ITEM NUMBER

WTR-0006006

SHORT
DESCRIPTION

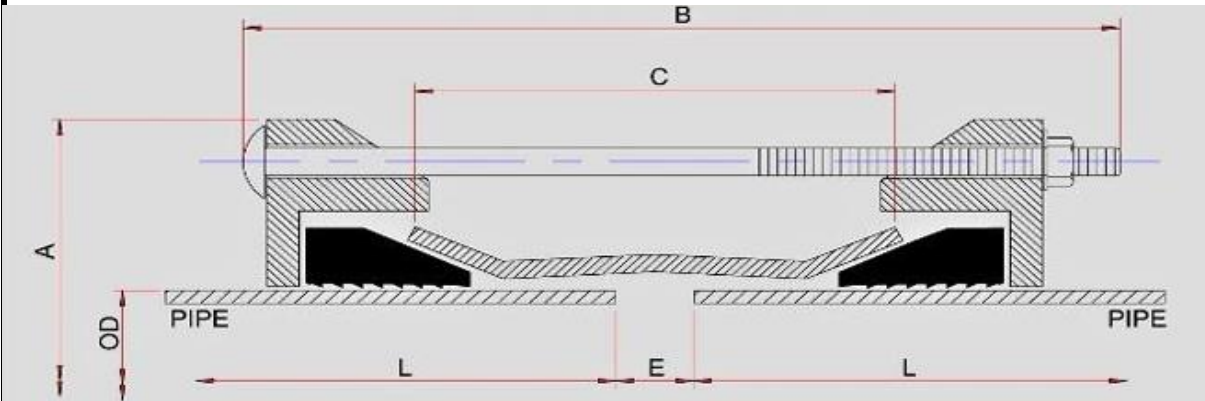
RANGER COUPLING 109 - 128MM

LONG DETAILED
DESCRIPTION

RANGER COUPLING 109 - 128MM

TECHNICAL DRAWINGS

TECHNICAL SPECIFICATIONS



OD RANGE FROM:	109MM
OD RANGE TO:	128MM
SIZE C (MM)	N/A
SIZE D	N/A
BRAND	KLINGER/UNI-FLOW/KLAMFLEX OR SIMILAR
MANUFACTURER WARRANTY	N/A
MAXIMUM PRESSURE	N/A
MINIMUM PRESSURE	N/A
MAXIMUM TEMPERATURE (°C)	N/A
MINIMUM TEMPERATURE (°C)	N/A
THREAD PITCH (MM)	N/A
THREAD REACH (MM)	N/A
OPERATING TEMPERATURE (°C)	N/A

EXTERNAL MATERIAL	CAST IRON - POWDERCOATED
INTERNAL MATERIAL	CAST IRON - POWDERCOATED
STORAGE REQUIREMENTS	CLEAN & DRY
MSDS REQUIRED	N/A
BOX QUANTITY	EACH

SPECIAL INSTRUCTIONS

APPROVALS

APPROVALS

SUPERVISOR: STORES

HEAD: ASSETS & SUPPLY CHAIN

HEAD: DEPARTMENT

STORES STOCK ITEM SPECIFICATION & TECHNICAL DATA SHEET



**BERGRIVIER
MUNICIPALITY**



ITEM NUMBER

WTR-0006007

SHORT
DESCRIPTION

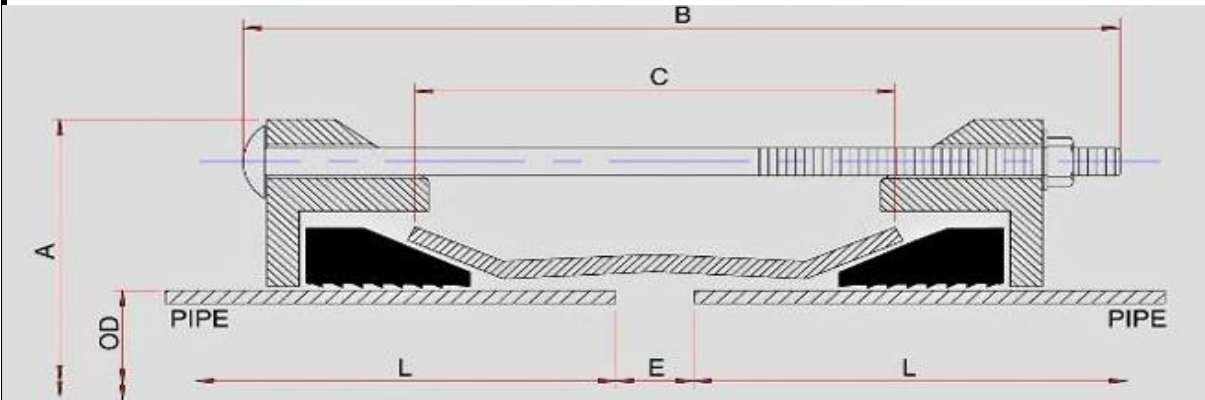
RANGER COUPLING 159 - 182MM

LONG DETAILED
DESCRIPTION

RANGER COUPLING 159 - 182MM

TECHNICAL DRAWINGS

TECHNICAL SPECIFICATIONS



OD RANGE FROM:	159MM
OD RANGE TO:	182MM
SIZE C (MM)	N/A
SIZE D	N/A
BRAND	KLINGER/UNI-FLOW/KLAMFLEX OR SIMILAR
MANUFACTURER WARRANTY	N/A
MAXIMUM PRESSURE	N/A
MINIMUM PRESSURE	N/A
MAXIMUM TEMPERATURE (°C)	N/A
MINIMUM TEMPERATURE (°C)	N/A
THREAD PITCH (MM)	N/A
THREAD REACH (MM)	N/A
OPERATING TEMPERATURE (°C)	N/A

EXTERNAL MATERIAL	CAST IRON - POWDERCOATED
INTERNAL MATERIAL	CAST IRON - POWDERCOATED
STORAGE REQUIREMENTS	CLEAN & DRY
MSDS REQUIRED	N/A
BOX QUANTITY	EACH

SPECIAL INSTRUCTIONS

APPROVALS

SUPERVISOR: STORES

HEAD: ASSETS & SUPPLY CHAIN

HEAD: DEPARTMENT

APPROVALS

STORES STOCK ITEM SPECIFICATION & TECHNICAL DATA SHEET



**BERGRIVIER
MUNICIPALITY**



ITEM NUMBER

WTR-0006008

SHORT
DESCRIPTION

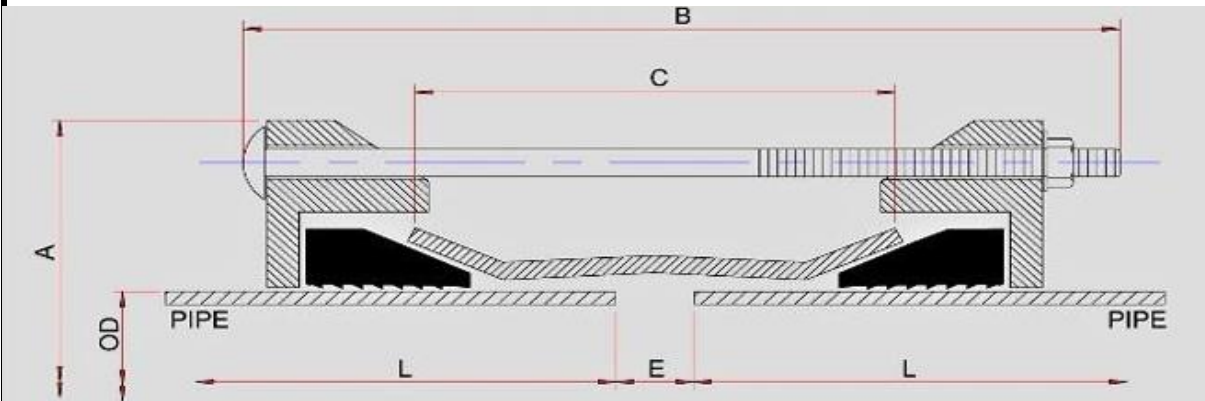
RANGER COUPLING 192-209 MM

LONG DETAILED
DESCRIPTION

RANGER COUPLING 192-209 MM

TECHNICAL DRAWINGS

TECHNICAL SPECIFICATIONS



OD RANGE FROM:	192MM
OD RANGE TO:	209MM
SIZE C (MM)	N/A
SIZE D	N/A
BRAND	KLINGER/UNI-FLOW/KLAMFLEX OR SIMILAR
MANUFACTURER WARRANTY	N/A
MAXIMUM PRESSURE	N/A
MINIMUM PRESSURE	N/A
MAXIMUM TEMPERATURE (°C)	N/A
MINIMUM TEMPERATURE (°C)	N/A
THREAD PITCH (MM)	N/A
THREAD REACH (MM)	N/A
OPERATING TEMPERATURE (°C)	N/A

EXTERNAL MATERIAL	CAST IRON - POWDERCOATED
INTERNAL MATERIAL	CAST IRON - POWDERCOATED
STORAGE REQUIREMENTS	CLEAN & DRY
MSDS REQUIRED	N/A
BOX QUANTITY	EACH

SPECIAL INSTRUCTIONS

APPROVALS

SUPERVISOR: STORES

HEAD: ASSETS & SUPPLY CHAIN

HEAD: DEPARTMENT

APPROVALS

STORES STOCK ITEM SPECIFICATION & TECHNICAL DATA SHEET



**BERGRIVIER
MUNICIPALITY**



ITEM NUMBER

WTR-0006009

SHORT
DESCRIPTION

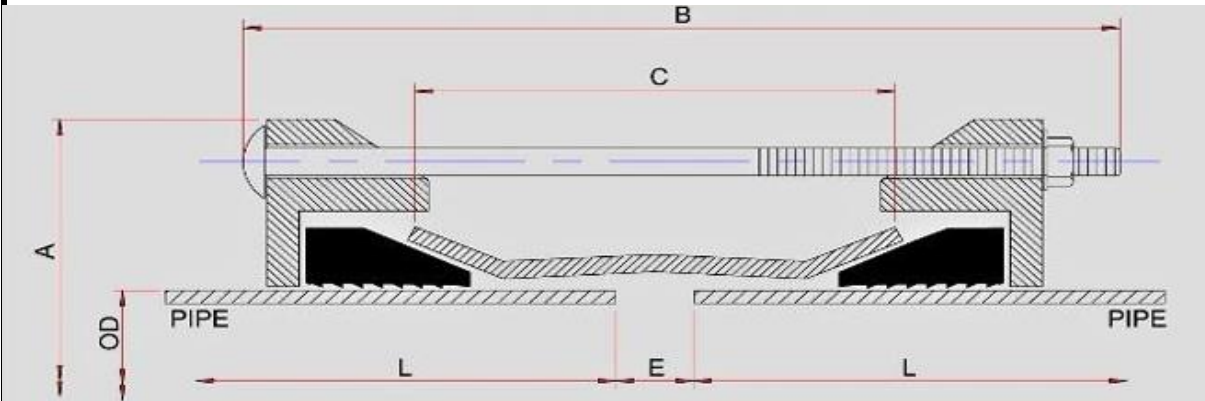
RANGER COUPLING 218-235 MM

LONG DETAILED
DESCRIPTION

RANGER COUPLING 218-235 MM

TECHNICAL DRAWINGS

TECHNICAL SPECIFICATIONS



OD RANGE FROM:	218MM
OD RANGE TO:	235MM
SIZE C (MM)	N/A
SIZE D	N/A
BRAND	KLINGER/UNI-FLOW/KLAMFLEX OR SIMILAR
MANUFACTURER WARRANTY	N/A
MAXIMUM PRESSURE	N/A
MINIMUM PRESSURE	N/A
MAXIMUM TEMPERATURE (°C)	N/A
MINIMUM TEMPERATURE (°C)	N/A
THREAD PITCH (MM)	N/A
THREAD REACH (MM)	N/A
OPERATING TEMPERATURE (°C)	N/A

EXTERNAL MATERIAL	CAST IRON - POWDERCOATED
INTERNAL MATERIAL	CAST IRON - POWDERCOATED
STORAGE REQUIREMENTS	CLEAN & DRY
MSDS REQUIRED	N/A
BOX QUANTITY	EACH

SPECIAL INSTRUCTIONS	

APPROVALS		
	SUPERVISOR: STORES	HEAD: ASSETS & SUPPLY CHAIN

APPROVALS	
	HEAD: DEPARTMENT

STORES STOCK ITEM SPECIFICATION & TECHNICAL DATA SHEET



**BERGRIVIER
MUNICIPALITY**



ITEM NUMBER

WTR-0006010

SHORT
DESCRIPTION

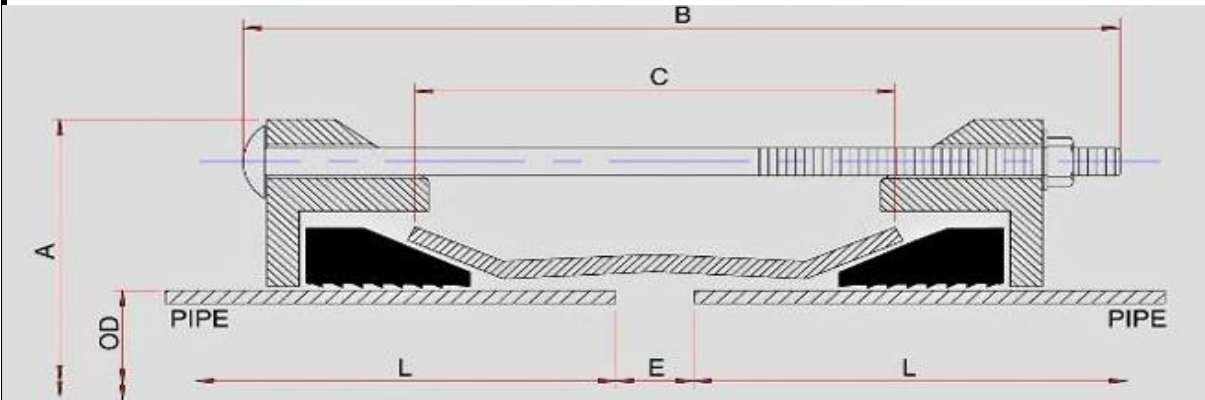
RANGER COUPLING 356 - 372MM

LONG DETAILED
DESCRIPTION

RANGER COUPLING 356 - 372MM

TECHNICAL DRAWINGS

TECHNICAL SPECIFICATIONS



OD RANGE FROM:	356MM
OD RANGE TO:	372MM
SIZE C (MM)	N/A
SIZE D	N/A
BRAND	KLINGER/UNI-FLOW/KLAMFLEX OR SIMILAR
MANUFACTURER WARRANTY	N/A
MAXIMUM PRESSURE	N/A
MINIMUM PRESSURE	N/A
MAXIMUM TEMPERATURE (°C)	N/A
MINIMUM TEMPERATURE (°C)	N/A
THREAD PITCH (MM)	N/A
THREAD REACH (MM)	N/A
OPERATING TEMPERATURE (°C)	N/A

EXTERNAL MATERIAL	CAST IRON - POWDERCOATED
INTERNAL MATERIAL	CAST IRON - POWDERCOATED
STORAGE REQUIREMENTS	CLEAN & DRY
MSDS REQUIRED	N/A
BOX QUANTITY	EACH

SPECIAL INSTRUCTIONS

APPROVALS

SUPERVISOR: STORES

HEAD: ASSETS & SUPPLY CHAIN

HEAD: DEPARTMENT

APPROVALS

STORES STOCK ITEM SPECIFICATION & TECHNICAL DATA SHEET

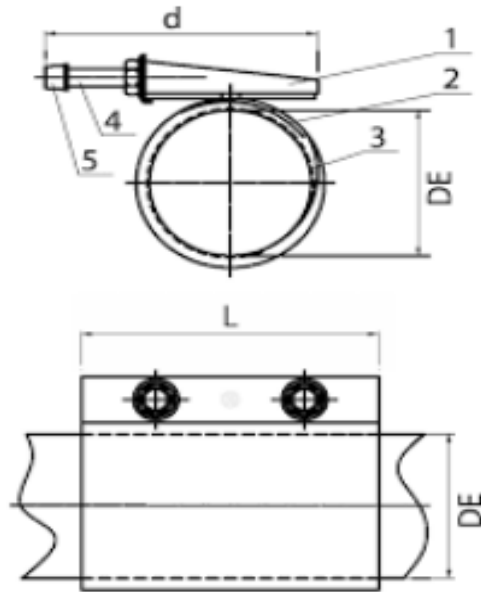


**BERGRIVIER
MUNICIPALITY**



ITEM NUMBER	WTR-0006011
SHORT DESCRIPTION	S/STEEL REPAIR CLAMP 69-76MM
LONG DETAILED DESCRIPTION	STAINLESS STEEL REPAIR CLAMP 69-76MM

TECHNICAL DRAWINGS



TECHNICAL SPECIFICATIONS

OD RANGE FROM:	69MM
OD RANGE TO:	76MM
SIZE C (MM)	N/A
SIZE D	N/A
BRAND	CASCADE OR SIMILAR
MANUFACTURER WARRANTY	N/A
MAXIMUM PRESSURE	N/A
MINIMUM PRESSURE	N/A
MAXIMUM TEMPERATURE (°C)	N/A
MINIMUM TEMPERATURE (°C)	N/A
THREAD PITCH (MM)	N/A
THREAD REACH (MM)	N/A
OPERATING TEMPERATURE (°C)	N/A

EXTERNAL MATERIAL	STAINLESS STEEL
INTERNAL MATERIAL	STAINLESS STEEL
STORAGE REQUIREMENTS	CLEAN & DRY
MSDS REQUIRED	N/A
BOX QUANTITY	EACH

SPECIAL INSTRUCTIONS	

APPROVALS		
	SUPERVISOR: STORES	HEAD: ASSETS & SUPPLY CHAIN

	APPROVALS
HEAD: DEPARTMENT	

STORES STOCK ITEM SPECIFICATION & TECHNICAL DATA SHEET

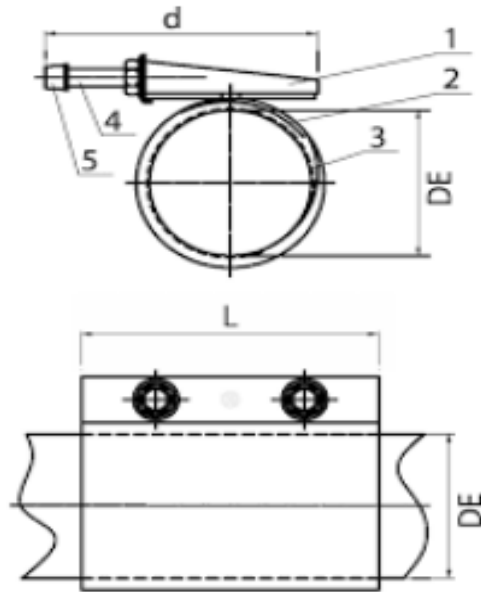


**BERGRIVIER
MUNICIPALITY**



ITEM NUMBER	WTR-0006012
SHORT DESCRIPTION	S/STEEL REPAIR CLAMP 95-104MM
LONG DETAILED DESCRIPTION	STAINLESS STEEL REPAIR CLAMP 95-104MM

TECHNICAL DRAWINGS



TECHNICAL SPECIFICATIONS

OD RANGE FROM:	95MM
OD RANGE TO:	104MM
SIZE C (MM)	N/A
SIZE D	N/A
BRAND	CASCADE OR SIMILAR
MANUFACTURER WARRANTY	N/A
MAXIMUM PRESSURE	N/A
MINIMUM PRESSURE	N/A
MAXIMUM TEMPERATURE (°C)	N/A
MINIMUM TEMPERATURE (°C)	N/A
THREAD PITCH (MM)	N/A
THREAD REACH (MM)	N/A
OPERATING TEMPERATURE (°C)	N/A

EXTERNAL MATERIAL	STAINLESS STEEL
INTERNAL MATERIAL	STAINLESS STEEL
STORAGE REQUIREMENTS	CLEAN & DRY
MSDS REQUIRED	N/A
BOX QUANTITY	EACH

SPECIAL INSTRUCTIONS

APPROVALS

APPROVALS

SUPERVISOR: STORES

HEAD: ASSETS & SUPPLY CHAIN

HEAD: DEPARTMENT

STORES STOCK ITEM SPECIFICATION & TECHNICAL DATA SHEET

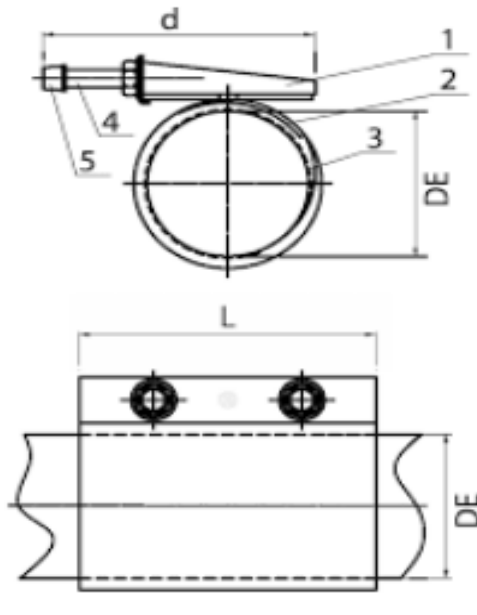


**BERGRIVIER
MUNICIPALITY**



ITEM NUMBER	WTR-0006013
SHORT DESCRIPTION	S/STEEL REPAIR CLAMP 121-130MM
LONG DETAILED DESCRIPTION	STAINLESS STEEL REPAIR CLAMP 121-130MM

TECHNICAL DRAWINGS



TECHNICAL SPECIFICATIONS

OD RANGE FROM:	121MM
OD RANGE TO:	130MM
SIZE C (MM)	N/A
SIZE D	N/A
BRAND	CASCADE OR SIMILAR
MANUFACTURER WARRANTY	N/A
MAXIMUM PRESSURE	N/A
MINIMUM PRESSURE	N/A
MAXIMUM TEMPERATURE (°C)	N/A
MINIMUM TEMPERATURE (°C)	N/A
THREAD PITCH (MM)	N/A
THREAD REACH (MM)	N/A
OPERATING TEMPERATURE (°C)	N/A

EXTERNAL MATERIAL	STAINLESS STEEL
INTERNAL MATERIAL	STAINLESS STEEL
STORAGE REQUIREMENTS	CLEAN & DRY
MSDS REQUIRED	N/A
BOX QUANTITY	EACH

SPECIAL INSTRUCTIONS

APPROVALS		
	SUPERVISOR: STORES	HEAD: ASSETS & SUPPLY CHAIN

	APPROVALS
HEAD: DEPARTMENT	

STORES STOCK ITEM SPECIFICATION & TECHNICAL DATA SHEET

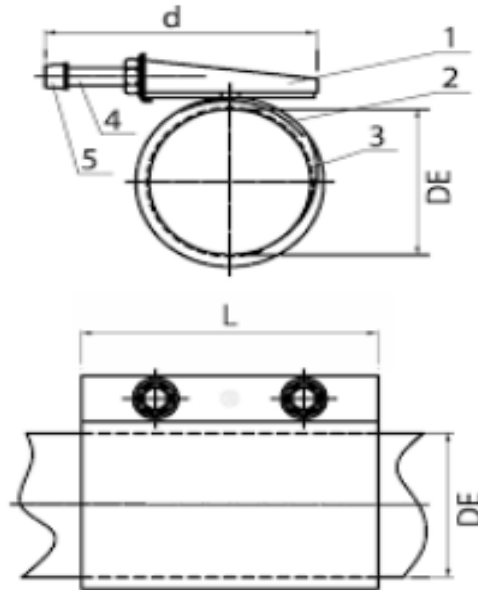


**BERGRIVIER
MUNICIPALITY**



ITEM NUMBER	WTR-0006014
SHORT DESCRIPTION	S/STEEL REPAIR CLAMP 167-176MM
LONG DETAILED DESCRIPTION	STAINLESS STEEL REPAIR CLAMP 167-176MM

TECHNICAL DRAWINGS



TECHNICAL SPECIFICATIONS

OD RANGE FROM:	167MM
OD RANGE TO:	176MM
SIZE C (MM)	N/A
SIZE D	N/A
BRAND	CASCADE OR SIMILAR
MANUFACTURER WARRANTY	N/A
MAXIMUM PRESSURE	N/A
MINIMUM PRESSURE	N/A
MAXIMUM TEMPERATURE (°C)	N/A
MINIMUM TEMPERATURE (°C)	N/A
THREAD PITCH (MM)	N/A
THREAD REACH (MM)	N/A
OPERATING TEMPERATURE (°C)	N/A

EXTERNAL MATERIAL	STAINLESS STEEL
INTERNAL MATERIAL	STAINLESS STEEL
STORAGE REQUIREMENTS	CLEAN & DRY
MSDS REQUIRED	N/A
BOX QUANTITY	EACH

SPECIAL INSTRUCTIONS

APPROVALS

--

--

--

APPROVALS

SUPERVISOR: STORES

HEAD: ASSETS & SUPPLY CHAIN

HEAD: DEPARTMENT

STORES STOCK ITEM SPECIFICATION & TECHNICAL DATA SHEET

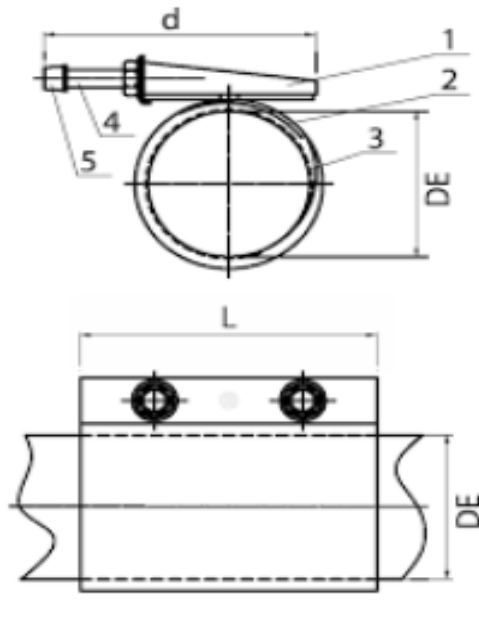


**BERGRIVIER
MUNICIPALITY**



ITEM NUMBER	WTR-0006015
SHORT DESCRIPTION	S/STEEL REPAIR CLAMP 174-183MM
LONG DETAILED DESCRIPTION	STAINLESS STEEL REPAIR CLAMP 174-183MM

TECHNICAL DRAWINGS



TECHNICAL SPECIFICATIONS

OD RANGE FROM:	174MM
OD RANGE TO:	183MM
SIZE C (MM)	N/A
SIZE D	N/A
BRAND	CASCADE OR SIMILAR
MANUFACTURER WARRANTY	N/A
MAXIMUM PRESSURE	N/A
MINIMUM PRESSURE	N/A
MAXIMUM TEMPERATURE (°C)	N/A
MINIMUM TEMPERATURE (°C)	N/A
THREAD PITCH (MM)	N/A
THREAD REACH (MM)	N/A
OPERATING TEMPERATURE (°C)	N/A

EXTERNAL MATERIAL	STAINLESS STEEL
INTERNAL MATERIAL	STAINLESS STEEL
STORAGE REQUIREMENTS	CLEAN & DRY
MSDS REQUIRED	N/A
BOX QUANTITY	EACH

SPECIAL INSTRUCTIONS

APPROVALS

APPROVALS

SUPERVISOR: STORES

HEAD: ASSETS & SUPPLY CHAIN

HEAD: DEPARTMENT

STORES STOCK ITEM SPECIFICATION & TECHNICAL DATA SHEET

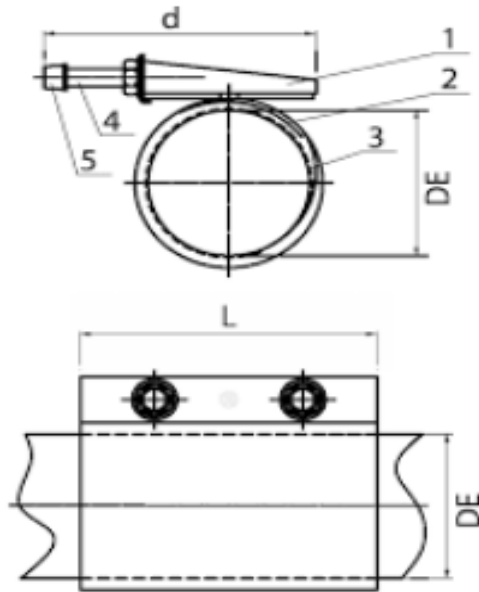


**BERGRIVIER
MUNICIPALITY**



ITEM NUMBER	WTR-0006016
SHORT DESCRIPTION	S/STEEL REPAIR CLAMP 218-228MM
LONG DETAILED DESCRIPTION	STAINLESS STEEL REPAIR CLAMP 218-228MM

TECHNICAL DRAWINGS



TECHNICAL SPECIFICATIONS

OD RANGE FROM:	218MM
OD RANGE TO:	228MM
SIZE C (MM)	N/A
SIZE D	N/A
BRAND	CASCADE OR SIMILAR
MANUFACTURER WARRANTY	N/A
MAXIMUM PRESSURE	N/A
MINIMUM PRESSURE	N/A
MAXIMUM TEMPERATURE (°C)	N/A
MINIMUM TEMPERATURE (°C)	N/A
THREAD PITCH (MM)	N/A
THREAD REACH (MM)	N/A
OPERATING TEMPERATURE (°C)	N/A

EXTERNAL MATERIAL	STAINLESS STEEL
INTERNAL MATERIAL	STAINLESS STEEL
STORAGE REQUIREMENTS	CLEAN & DRY
MSDS REQUIRED	N/A
BOX QUANTITY	EACH

SPECIAL INSTRUCTIONS

APPROVALS

APPROVALS

SUPERVISOR: STORES

HEAD: ASSETS & SUPPLY CHAIN

HEAD: DEPARTMENT

STORES STOCK ITEM SPECIFICATION & TECHNICAL DATA SHEET



**BERGRIVIER
MUNICIPALITY**



ITEM NUMBER

WTR-0006017

SHORT
DESCRIPTION

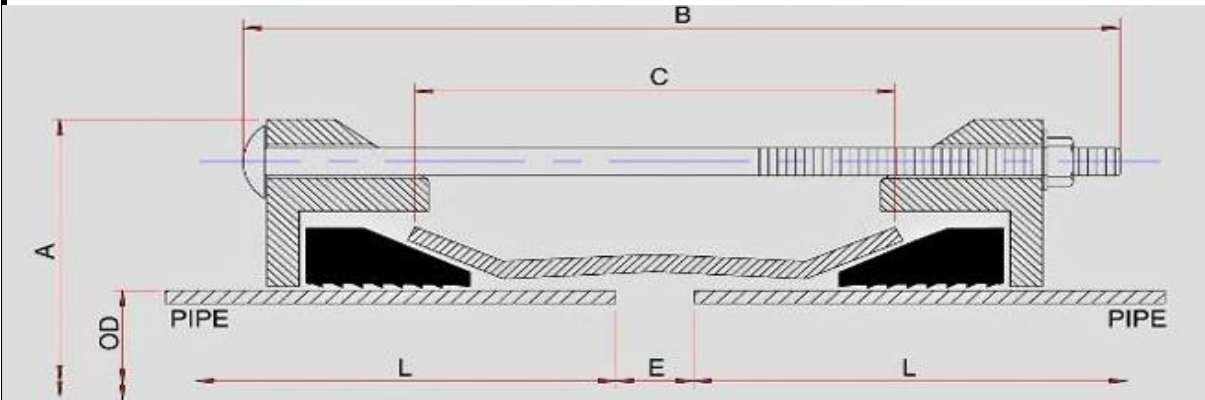
RANGER COUPLING 302-318 MM

LONG DETAILED
DESCRIPTION

RANGER COUPLING 302-318 MM

TECHNICAL DRAWINGS

TECHNICAL SPECIFICATIONS



OD RANGE FROM:	302MM
OD RANGE TO:	318MM
SIZE C (MM)	N/A
SIZE D	N/A
BRAND	KLINGER/UNI-FLOW/KLAMFLEX OR SIMILAR
MANUFACTURER WARRANTY	N/A
MAXIMUM PRESSURE	N/A
MINIMUM PRESSURE	N/A
MAXIMUM TEMPERATURE (°C)	N/A
MINIMUM TEMPERATURE (°C)	N/A
THREAD PITCH (MM)	N/A
THREAD REACH (MM)	N/A
OPERATING TEMPERATURE (°C)	N/A

EXTERNAL MATERIAL	CAST IRON - POWDERCOATED
INTERNAL MATERIAL	CAST IRON - POWDERCOATED
STORAGE REQUIREMENTS	CLEAN & DRY
MSDS REQUIRED	N/A
BOX QUANTITY	EACH

SPECIAL INSTRUCTIONS

APPROVALS

SUPERVISOR: STORES

HEAD: ASSETS & SUPPLY CHAIN

HEAD: DEPARTMENT

APPROVALS

STORES STOCK ITEM SPECIFICATION & TECHNICAL DATA SHEET

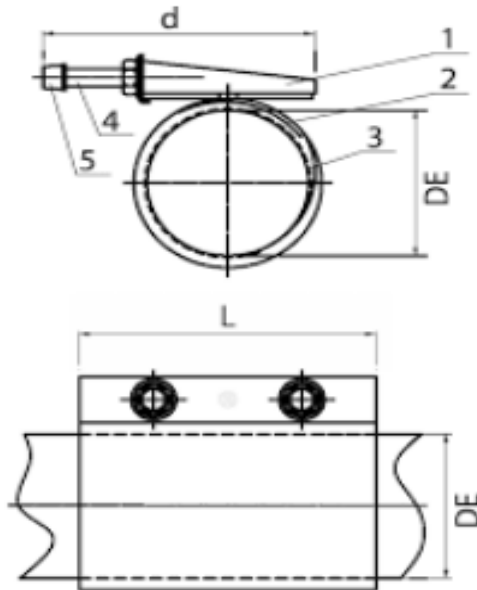


**BERGRIVIER
MUNICIPALITY**



ITEM NUMBER	WTR-0006018
SHORT DESCRIPTION	S/STEEL REPAIR CLAMP 236-245MM
LONG DETAILED DESCRIPTION	STAINLESS STEEL REPAIR CLAMP 236-245MM

TECHNICAL DRAWINGS



TECHNICAL SPECIFICATIONS

OD RANGE FROM:	236MM
OD RANGE TO:	245MM
SIZE C (MM)	N/A
SIZE D	N/A
BRAND	CASCADE OR SIMILAR
MANUFACTURER WARRANTY	N/A
MAXIMUM PRESSURE	N/A
MINIMUM PRESSURE	N/A
MAXIMUM TEMPERATURE (°C)	N/A
MINIMUM TEMPERATURE (°C)	N/A
THREAD PITCH (MM)	N/A
THREAD REACH (MM)	N/A
OPERATING TEMPERATURE (°C)	N/A

EXTERNAL MATERIAL	STAINLESS STEEL
INTERNAL MATERIAL	STAINLESS STEEL
STORAGE REQUIREMENTS	CLEAN & DRY
MSDS REQUIRED	N/A
BOX QUANTITY	EACH

SPECIAL INSTRUCTIONS	

APPROVALS		
	SUPERVISOR: STORES	HEAD: ASSETS & SUPPLY CHAIN

	APPROVALS
HEAD: DEPARTMENT	

STORES STOCK ITEM SPECIFICATION & TECHNICAL DATA SHEET

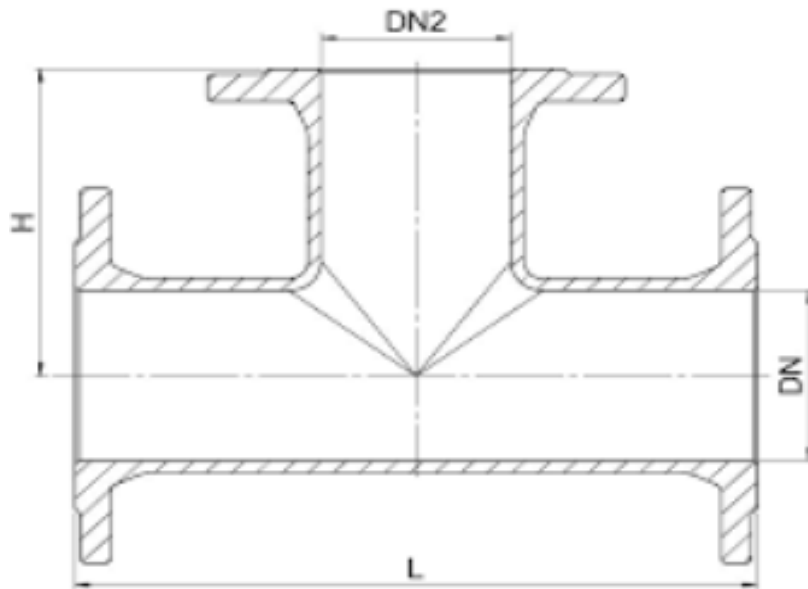


**BERGRIVIER
MUNICIPALITY**



ITEM NUMBER	WTR-0007001
SHORT DESCRIPTION	FLANGED HYDRANT T - 75MM EPOXY COATED
LONG DETAILED DESCRIPTION	FLANGED HYDRANT T - 75MM EPOXY COATED

TECHNICAL DRAWINGS



TECHNICAL SPECIFICATIONS

SIZE A (MM)	75MM
SIZE B (MM)	75MM
SIZE C (MM)	75MM
SIZE D	N/A
BRAND	N/A
MANUFACTURER WARRANTY	N/A
MAXIMUM PRESSURE	N/A
MINIMUM PRESSURE	N/A
MAXIMUM TEMPERATURE (°C)	N/A
MINIMUM TEMPERATURE (°C)	N/A
THREAD PITCH (MM)	N/A
THREAD REACH (MM)	N/A
OPERATING TEMPERATURE (°C)	N/A

EXTERNAL MATERIAL	CAST IRON - POWDERCOATED
INTERNAL MATERIAL	CAST IRON - POWDERCOATED
STORAGE REQUIREMENTS	CLEAN & DRY
MSDS REQUIRED	N/A
BOX QUANTITY	EACH

SPECIAL INSTRUCTIONS

APPROVALS

APPROVALS

SUPERVISOR: STORES

HEAD: ASSETS & SUPPLY CHAIN

HEAD: DEPARTMENT

STORES STOCK ITEM SPECIFICATION & TECHNICAL DATA SHEET

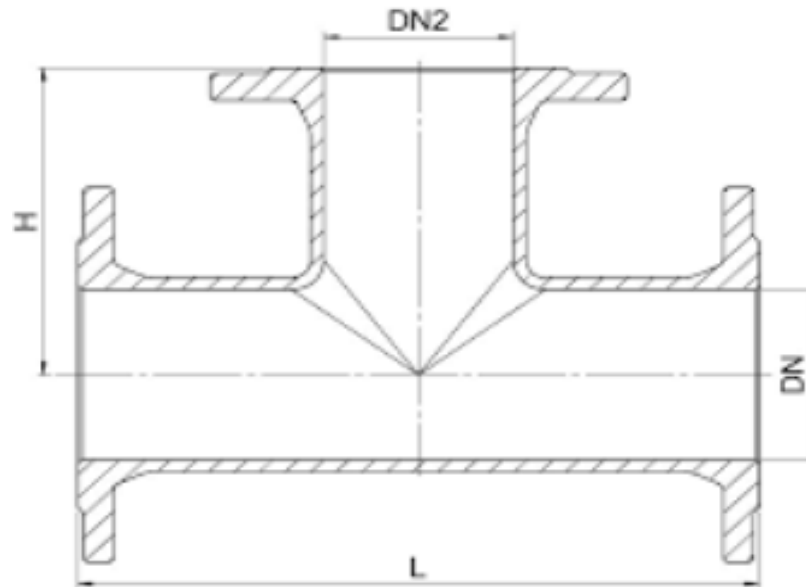


**BERGRIVIER
MUNICIPALITY**



ITEM NUMBER	WTR-0007002
SHORT DESCRIPTION	FLANGED HYDRANT T - 100MM EPOXY COATED
LONG DETAILED DESCRIPTION	FLANGED HYDRANT T - 100MM EPOXY COATED

TECHNICAL DRAWINGS



TECHNICAL SPECIFICATIONS

SIZE A (MM)	100MM
SIZE B (MM)	100MM
SIZE C (MM)	100MM
SIZE D	N/A
BRAND	N/A
MANUFACTURER WARRANTY	N/A
MAXIMUM PRESSURE	N/A
MINIMUM PRESSURE	N/A
MAXIMUM TEMPERATURE (°C)	N/A
MINIMUM TEMPERATURE (°C)	N/A
THREAD PITCH (MM)	N/A
THREAD REACH (MM)	N/A
OPERATING TEMPERATURE (°C)	N/A

EXTERNAL MATERIAL	CAST IRON - POWDERCOATED
INTERNAL MATERIAL	CAST IRON - POWDERCOATED
STORAGE REQUIREMENTS	CLEAN & DRY
MSDS REQUIRED	N/A
BOX QUANTITY	EACH

SPECIAL INSTRUCTIONS

APPROVALS

APPROVALS

SUPERVISOR: STORES

HEAD: ASSETS & SUPPLY CHAIN

HEAD: DEPARTMENT

STORES STOCK ITEM SPECIFICATION & TECHNICAL DATA SHEET

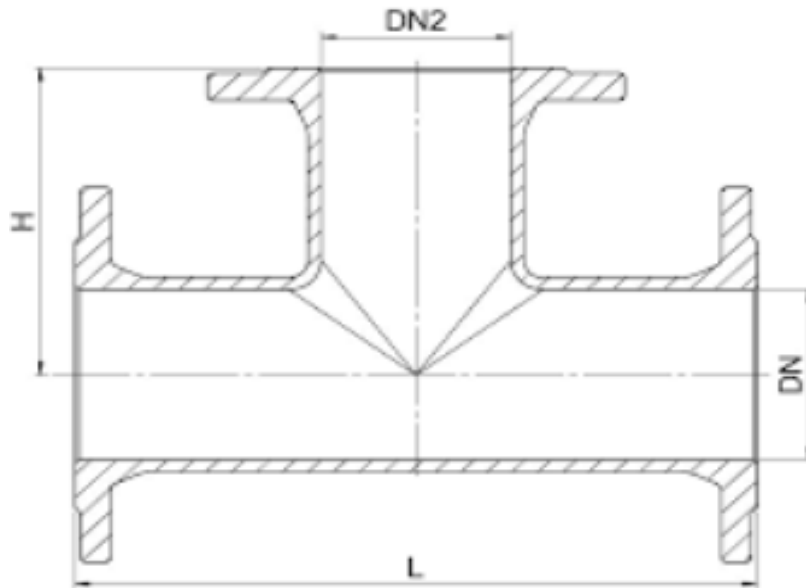


**BERGRIVIER
MUNICIPALITY**



ITEM NUMBER	WTR-0007003
SHORT DESCRIPTION	FLANGED HYDRANT T - 110MM EPOXY COATED
LONG DETAILED DESCRIPTION	FLANGED HYDRANT T - 110MM EPOXY COATED

TECHNICAL DRAWINGS



TECHNICAL SPECIFICATIONS

SIZE A (MM)	110MM
SIZE B (MM)	110MM
SIZE C (MM)	110MM
SIZE D	N/A
BRAND	N/A
MANUFACTURER WARRANTY	N/A
MAXIMUM PRESSURE	N/A
MINIMUM PRESSURE	N/A
MAXIMUM TEMPERATURE (°C)	N/A
MINIMUM TEMPERATURE (°C)	N/A
THREAD PITCH (MM)	N/A
THREAD REACH (MM)	N/A
OPERATING TEMPERATURE (°C)	N/A

EXTERNAL MATERIAL	CAST IRON - POWDERCOATED
INTERNAL MATERIAL	CAST IRON - POWDERCOATED
STORAGE REQUIREMENTS	CLEAN & DRY
MSDS REQUIRED	N/A
BOX QUANTITY	EACH

SPECIAL INSTRUCTIONS	

APPROVALS				APPROVALS
	SUPERVISOR: STORES	HEAD: ASSETS & SUPPLY CHAIN	HEAD: DEPARTMENT	

STORES STOCK ITEM SPECIFICATION & TECHNICAL DATA SHEET



**BERGRIVIER
MUNICIPALITY**



ITEM NUMBER

WTR-0007004

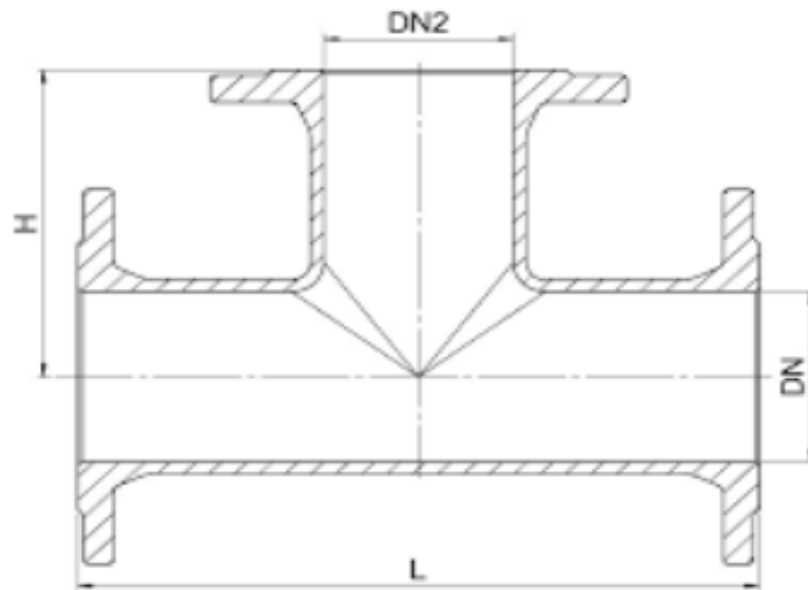
SHORT
DESCRIPTION

FLANGED HYDRANT T - 150MM EPOXY COATED

LONG DETAILED
DESCRIPTION

FLANGED HYDRANT T - 150MM EPOXY COATED

TECHNICAL DRAWINGS



TECHNICAL SPECIFICATIONS

SIZE A (MM)	150MM
SIZE B (MM)	150MM
SIZE C (MM)	150MM
SIZE D	N/A
BRAND	N/A
MANUFACTURER WARRANTY	N/A
MAXIMUM PRESSURE	N/A
MINIMUM PRESSURE	N/A
MAXIMUM TEMPERATURE (°C)	N/A
MINIMUM TEMPERATURE (°C)	N/A
THREAD PITCH (MM)	N/A
THREAD REACH (MM)	N/A
OPERATING TEMPERATURE (°C)	N/A

EXTERNAL MATERIAL	CAST IRON - POWDERCOATED
INTERNAL MATERIAL	CAST IRON - POWDERCOATED
STORAGE REQUIREMENTS	CLEAN & DRY
MSDS REQUIRED	N/A
BOX QUANTITY	EACH

SPECIAL INSTRUCTIONS

APPROVALS

SUPERVISOR: STORES

HEAD: ASSETS & SUPPLY CHAIN

HEAD: DEPARTMENT

APPROVALS

STORES STOCK ITEM SPECIFICATION & TECHNICAL DATA SHEET

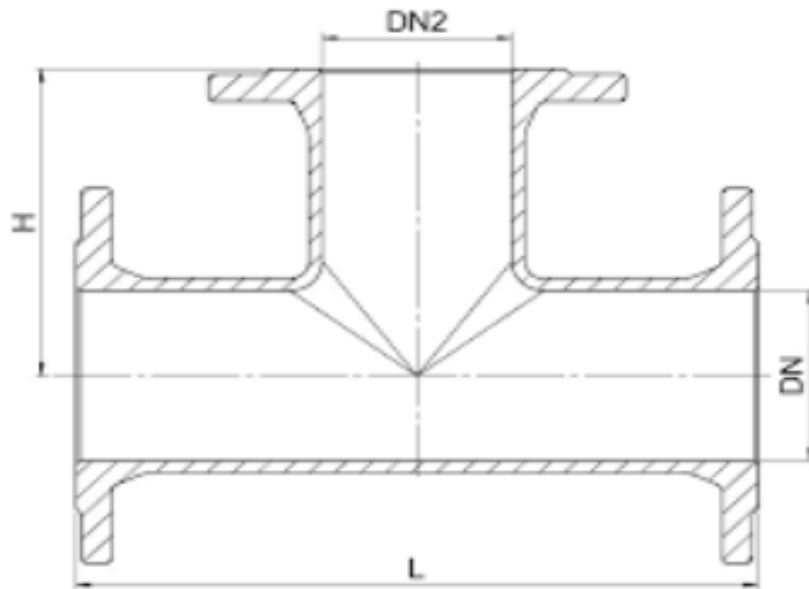


**BERGRIVIER
MUNICIPALITY**



ITEM NUMBER	WTR-0007005
SHORT DESCRIPTION	FLANGED HYDRANT T - 200MM EPOXY COATED
LONG DETAILED DESCRIPTION	FLANGED HYDRANT T - 200MM EPOXY COATED

TECHNICAL DRAWINGS



TECHNICAL SPECIFICATIONS

SIZE A (MM)	200MM
SIZE B (MM)	200MM
SIZE C (MM)	200MM
SIZE D	N/A
BRAND	N/A
MANUFACTURER WARRANTY	N/A
MAXIMUM PRESSURE	N/A
MINIMUM PRESSURE	N/A
MAXIMUM TEMPERATURE (°C)	N/A
MINIMUM TEMPERATURE (°C)	N/A
THREAD PITCH (MM)	N/A
THREAD REACH (MM)	N/A
OPERATING TEMPERATURE (°C)	N/A

EXTERNAL MATERIAL	CAST IRON - POWDERCOATED
INTERNAL MATERIAL	CAST IRON - POWDERCOATED
STORAGE REQUIREMENTS	CLEAN & DRY
MSDS REQUIRED	N/A
BOX QUANTITY	EACH

SPECIAL INSTRUCTIONS

APPROVALS

SUPERVISOR: STORES	HEAD: ASSETS & SUPPLY CHAIN	HEAD: DEPARTMENT

APPROVALS

STORES STOCK ITEM SPECIFICATION & TECHNICAL DATA SHEET

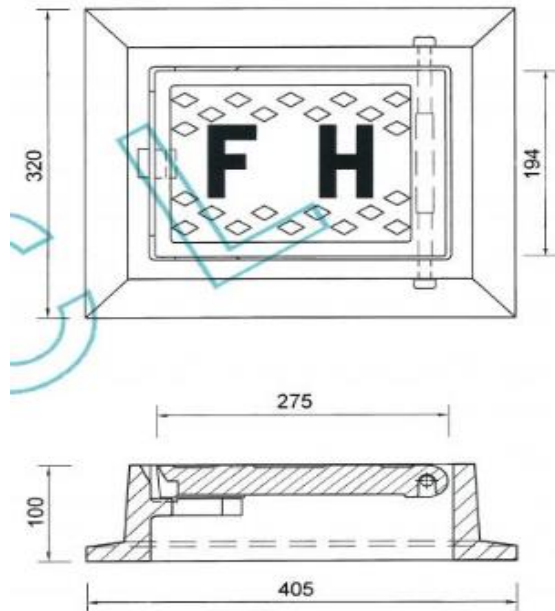


**BERGRIVIER
MUNICIPALITY**



ITEM NUMBER	WTR-0007006
SHORT DESCRIPTION	POLYMER FIRE HYDRANT BOXES
LONG DETAILED DESCRIPTION	POLYMER FIRE HYDRANT BOXES

TECHNICAL DRAWINGS



TECHNICAL SPECIFICATIONS

SIZE A (MM)	N/A
SIZE B (MM)	N/A
SIZE C (MM)	N/A
SIZE D	N/A
BRAND	N/A
MANUFACTURER WARRANTY	N/A
MAXIMUM PRESSURE	N/A
MINIMUM PRESSURE	N/A
MAXIMUM TEMPERATURE (°C)	N/A
MINIMUM TEMPERATURE (°C)	N/A
THREAD PITCH (MM)	N/A
THREAD REACH (MM)	N/A
OPERATING TEMPERATURE (°C)	N/A

EXTERNAL MATERIAL	POLYMER
INTERNAL MATERIAL	POLYMER
STORAGE REQUIREMENTS	CLEAN & DRY
MSDS REQUIRED	N/A
BOX QUANTITY	EACH

SPECIAL INSTRUCTIONS

APPROVALS

SUPERVISOR: STORES	HEAD: ASSETS & SUPPLY CHAIN	HEAD: DEPARTMENT	

APPROVALS

STORES STOCK ITEM SPECIFICATION & TECHNICAL DATA SHEET

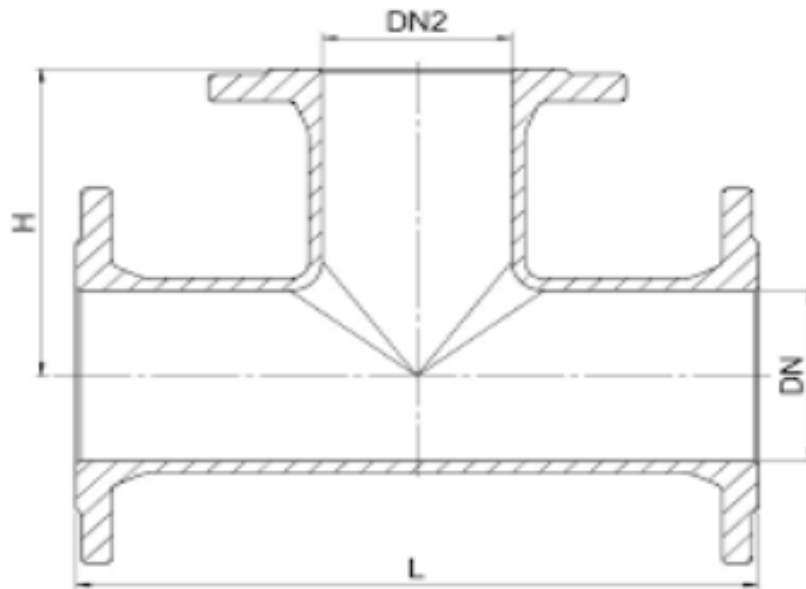


**BERGRIVIER
MUNICIPALITY**



ITEM NUMBER	WTR-0007007
SHORT DESCRIPTION	FLANGED HYDRANT T - 50MM EPOXY COATED
LONG DETAILED DESCRIPTION	FLANGED HYDRANT T - 50MM EPOXY COATED

TECHNICAL DRAWINGS



TECHNICAL SPECIFICATIONS

SIZE A (MM)	50MM
SIZE B (MM)	50MM
SIZE C (MM)	50MM
SIZE D	N/A
BRAND	N/A
MANUFACTURER WARRANTY	N/A
MAXIMUM PRESSURE	N/A
MINIMUM PRESSURE	N/A
MAXIMUM TEMPERATURE (°C)	N/A
MINIMUM TEMPERATURE (°C)	N/A
THREAD PITCH (MM)	N/A
THREAD REACH (MM)	N/A
OPERATING TEMPERATURE (°C)	N/A

EXTERNAL MATERIAL	CAST IRON - POWDERCOATED
INTERNAL MATERIAL	CAST IRON - POWDERCOATED
STORAGE REQUIREMENTS	CLEAN & DRY
MSDS REQUIRED	N/A
BOX QUANTITY	EACH

SPECIAL INSTRUCTIONS

APPROVALS

APPROVALS

SUPERVISOR: STORES

HEAD: ASSETS & SUPPLY CHAIN

HEAD: DEPARTMENT

STORES STOCK ITEM SPECIFICATION & TECHNICAL DATA SHEET



**BERGRIVIER
MUNICIPALITY**



ITEM NUMBER

WTR-0008001

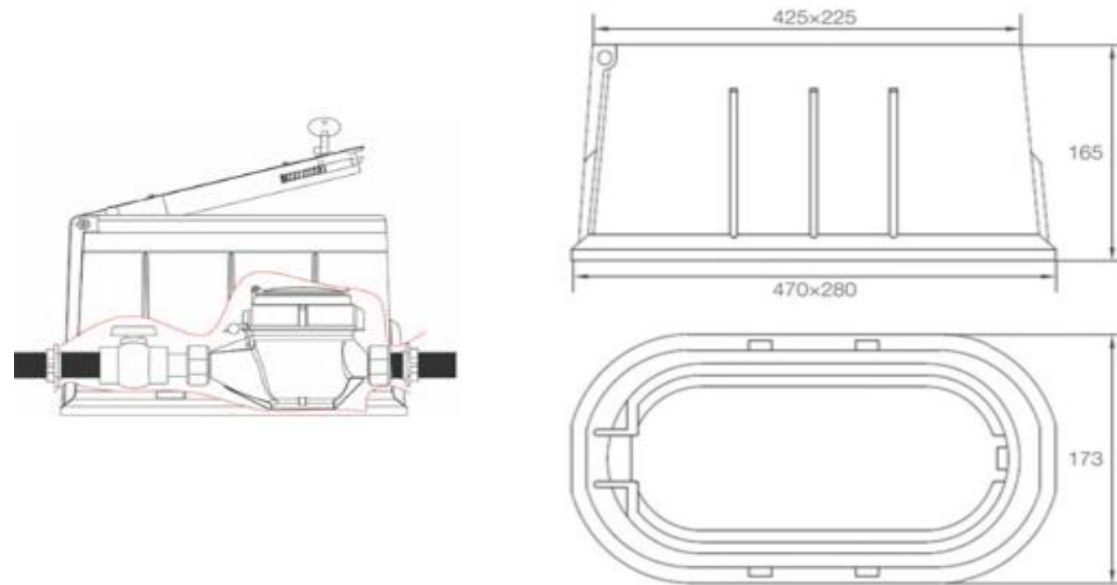
SHORT
DESCRIPTION

WATER METER - INCL RESTRICTOR VALVE IN BOX

LONG DETAILED
DESCRIPTION

WATER METER - INCLUDING RESTRICTOR VALVE IN BOX

TECHNICAL DRAWINGS



TECHNICAL SPECIFICATIONS

SIZE A (MM)	N/A
SIZE B (MM)	N/A
SIZE C (MM)	N/A
SIZE D	N/A
BRAND	N/A
MANUFACTURER WARRANTY	N/A
MAXIMUM PRESSURE	N/A
MINIMUM PRESSURE	N/A
MAXIMUM TEMPERATURE (°C)	N/A
MINIMUM TEMPERATURE (°C)	N/A
THREAD PITCH (MM)	N/A
THREAD REACH (MM)	N/A
OPERATING TEMPERATURE (°C)	N/A

EXTERNAL MATERIAL	PVC
INTERNAL MATERIAL	PVC
STORAGE REQUIREMENTS	CLEAN & DRY
MSDS REQUIRED	N/A
BOX QUANTITY	EACH

SPECIAL INSTRUCTIONS

APPROVALS

APPROVALS

SUPERVISOR: STORES

HEAD: ASSETS & SUPPLY CHAIN

HEAD: DEPARTMENT

STORES STOCK ITEM SPECIFICATION & TECHNICAL DATA SHEET



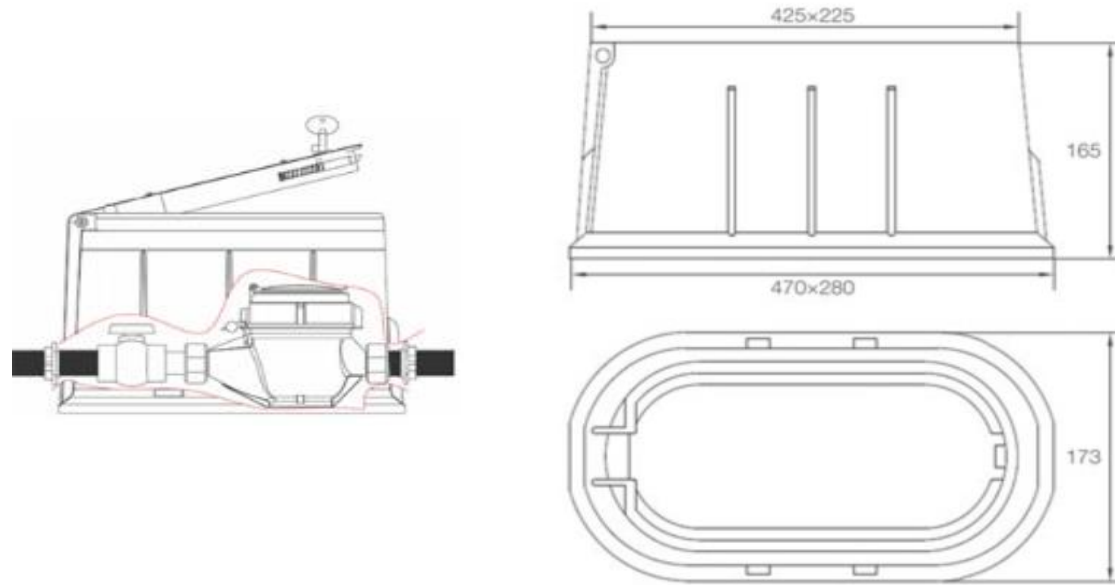
**BERGRIVIER
MUNICIPALITY**



ITEM NUMBER	WTR-0008002
SHORT DESCRIPTION	WATER METER (SMART) - INCL RESTRICTOR VALVE IN BOX
LONG DETAILED DESCRIPTION	WATER METER (SMART) - INCLUDING RESTRICTOR VALVE IN BOX

TECHNICAL DRAWINGS

TECHNICAL SPECIFICATIONS



SIZE A (MM)	N/A
SIZE B (MM)	N/A
SIZE C (MM)	N/A
SIZE D	N/A
BRAND	N/A
MANUFACTURER WARRANTY	N/A
MAXIMUM PRESSURE	N/A
MINIMUM PRESSURE	N/A
MAXIMUM TEMPERATURE (°C)	N/A
MINIMUM TEMPERATURE (°C)	N/A
THREAD PITCH (MM)	N/A
THREAD REACH (MM)	N/A
OPERATING TEMPERATURE (°C)	N/A

EXTERNAL MATERIAL	PVC
INTERNAL MATERIAL	PVC
STORAGE REQUIREMENTS	CLEAN & DRY
MSDS REQUIRED	N/A
BOX QUANTITY	EACH

SPECIAL INSTRUCTIONS	

APPROVALS				APPROVALS
	SUPERVISOR: STORES	HEAD: ASSETS & SUPPLY CHAIN	HEAD: DEPARTMENT	

STORES STOCK ITEM SPECIFICATION & TECHNICAL DATA SHEET



**BERGRIVIER
MUNICIPALITY**



ITEM NUMBER

WTR-0008003

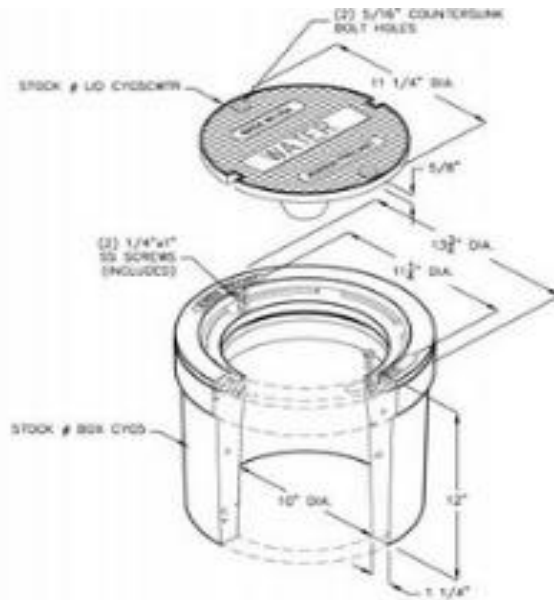
SHORT
DESCRIPTION

CONSUMER VALVE BOX - PLASTIC

LONG DETAILED
DESCRIPTION

CONSUMER VALVE BOX - PLASTIC

TECHNICAL DRAWINGS



TECHNICAL SPECIFICATIONS

SIZE A (MM)	N/A
SIZE B (MM)	N/A
SIZE C (MM)	N/A
SIZE D	N/A
BRAND	N/A
MANUFACTURER WARRANTY	N/A
MAXIMUM PRESSURE	N/A
MINIMUM PRESSURE	N/A
MAXIMUM TEMPERATURE (°C)	N/A
MINIMUM TEMPERATURE (°C)	N/A
THREAD PITCH (MM)	N/A
THREAD REACH (MM)	N/A
OPERATING TEMPERATURE (°C)	N/A

EXTERNAL MATERIAL	PVC
INTERNAL MATERIAL	PVC
STORAGE REQUIREMENTS	CLEAN & DRY
MSDS REQUIRED	N/A
BOX QUANTITY	EACH

SPECIAL INSTRUCTIONS	

APPROVALS		
	SUPERVISOR: STORES	HEAD: ASSETS & SUPPLY CHAIN

	APPROVALS
HEAD: DEPARTMENT	